

[54] **STOOL**

[76] **Inventors: Robert Aronowitz, 40 E. 84th St., New York, N.Y. 10028; Bernard Katzanek, 100 Caton Ave., Brooklyn, N.Y. 11218**

[*] **Notice: The portion of the term of this patent subsequent to Jul. 3, 1998 has been disclaimed.**

[**] **Term: 14 Years**

[21] **Appl. No.: 342,575**

[22] **Filed: Jan. 25, 1982**

[52] **U.S. Cl. D6/360; D6/366**

[58] **Field of Search D6/26, 30-36**

[56] **References Cited**

U.S. PATENT DOCUMENTS

D. 253,324 11/1979 Lopez D6/31 X

D, 264,774 6/1982 McGirk et al. D6/48
D. 270,020 8/1983 Drabert D6/31
3,361,472 1/1968 Hasbrouck D6/31 X

OTHER PUBLICATIONS

Industrial Design, Nov./Dec., 1977, p. 42, Chair bottom right by Burante.

Design Catalog, Sep. 1978, p. 96, Chair by Hopkins Green.

Cosco Brochure, Jun. 3, 1974, Stool, No. 11-131.

Primary Examiner—Bruce W. Dunkins

[57] **CLAIM**

The ornamental design for a stool, as shown.

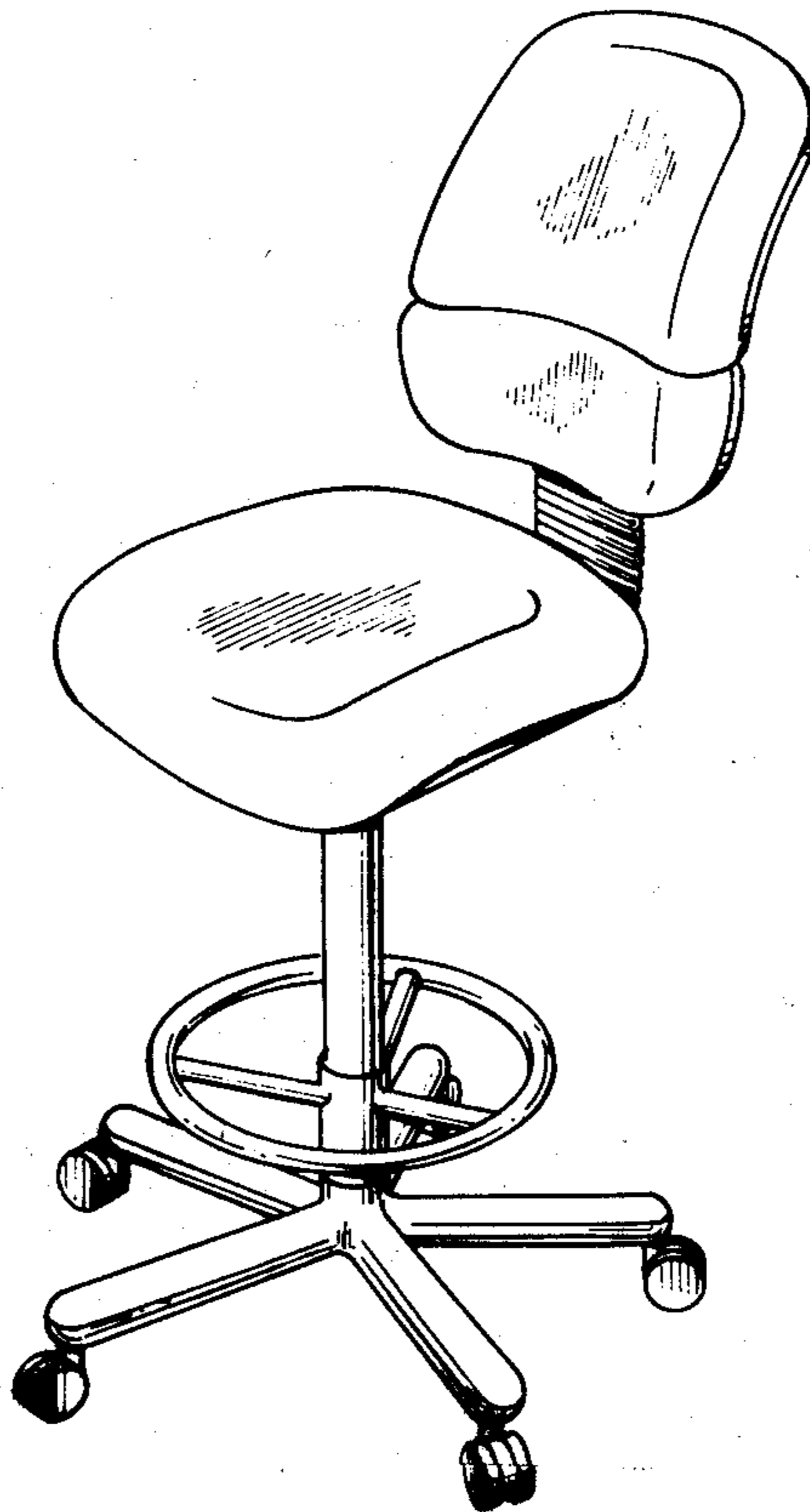
DESCRIPTION

FIG. 1 is a perspective view of the stool of the present invention;

FIG. 2 is a front view thereof;

FIG. 3 is a side view thereof; and

FIG. 4 is a rear view thereof.



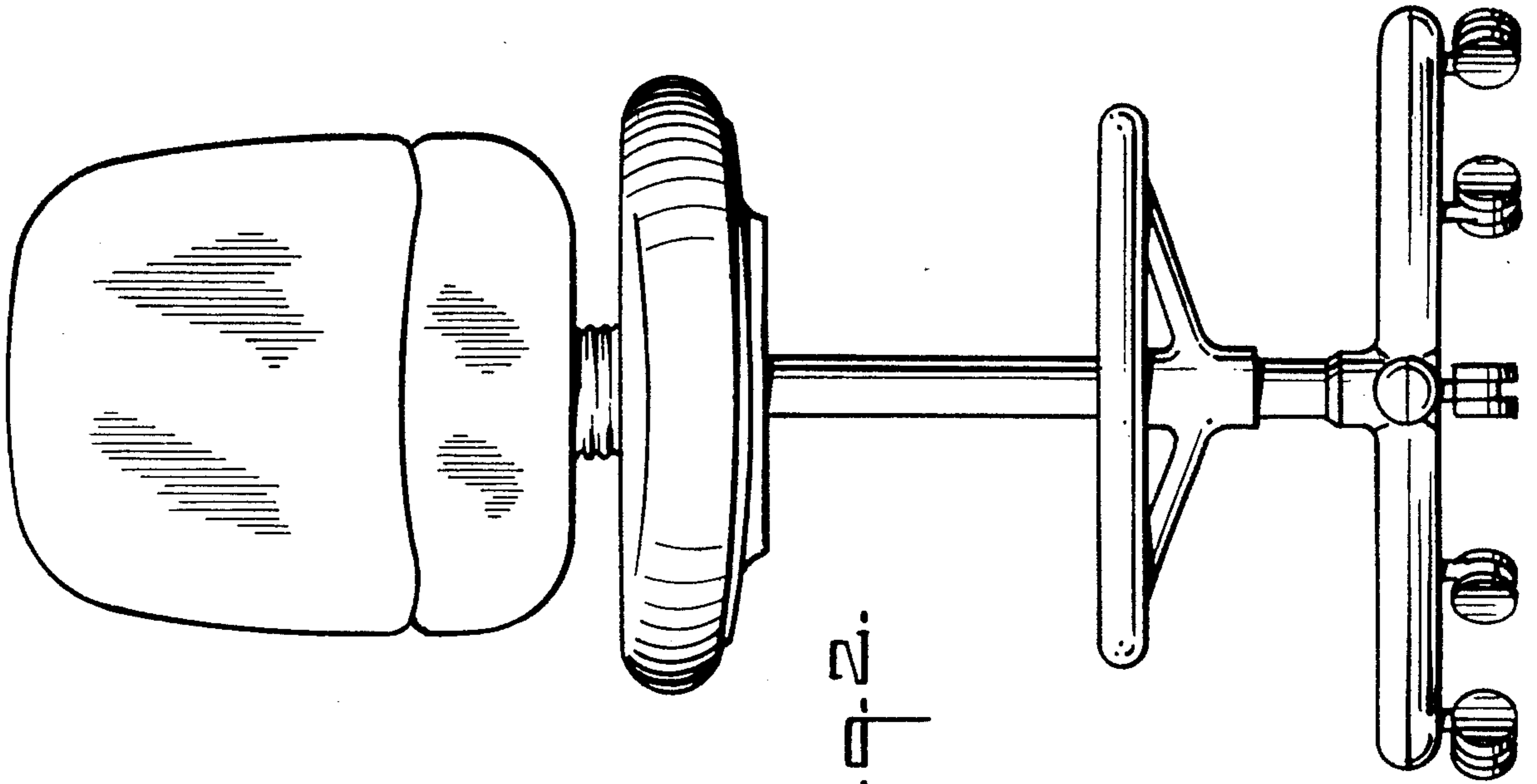


Fig. 2.

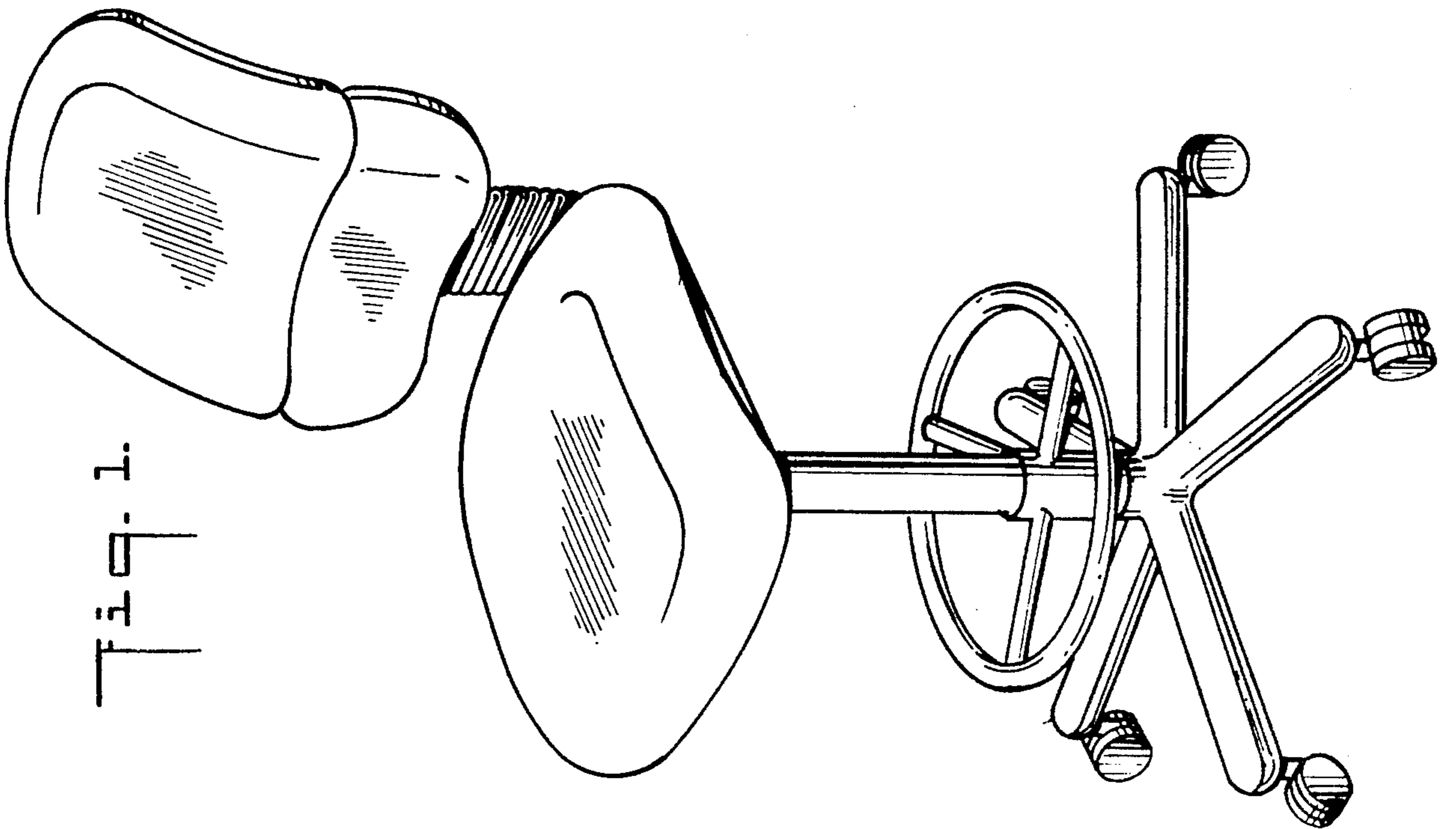


Fig. 1.

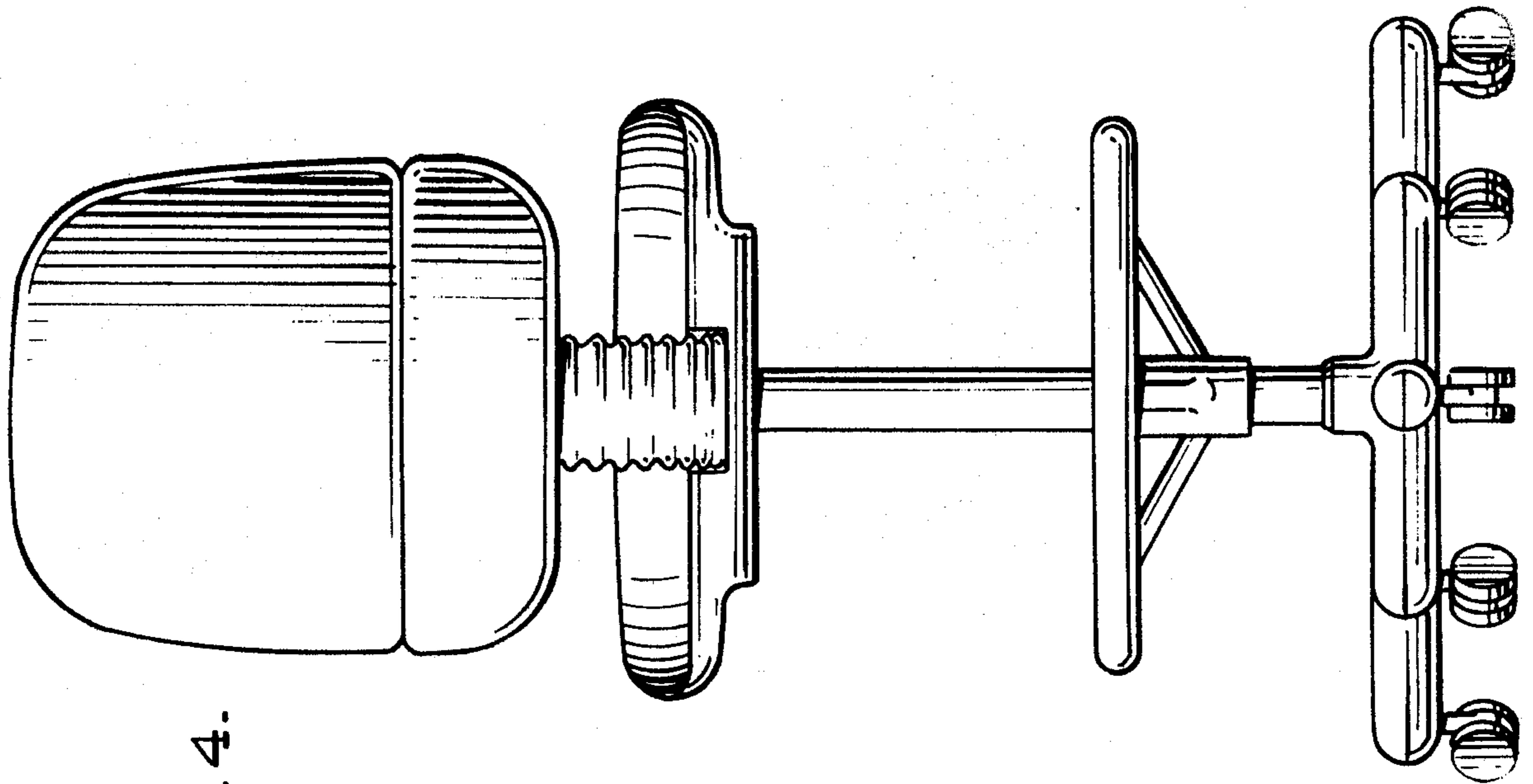


Fig. 4.

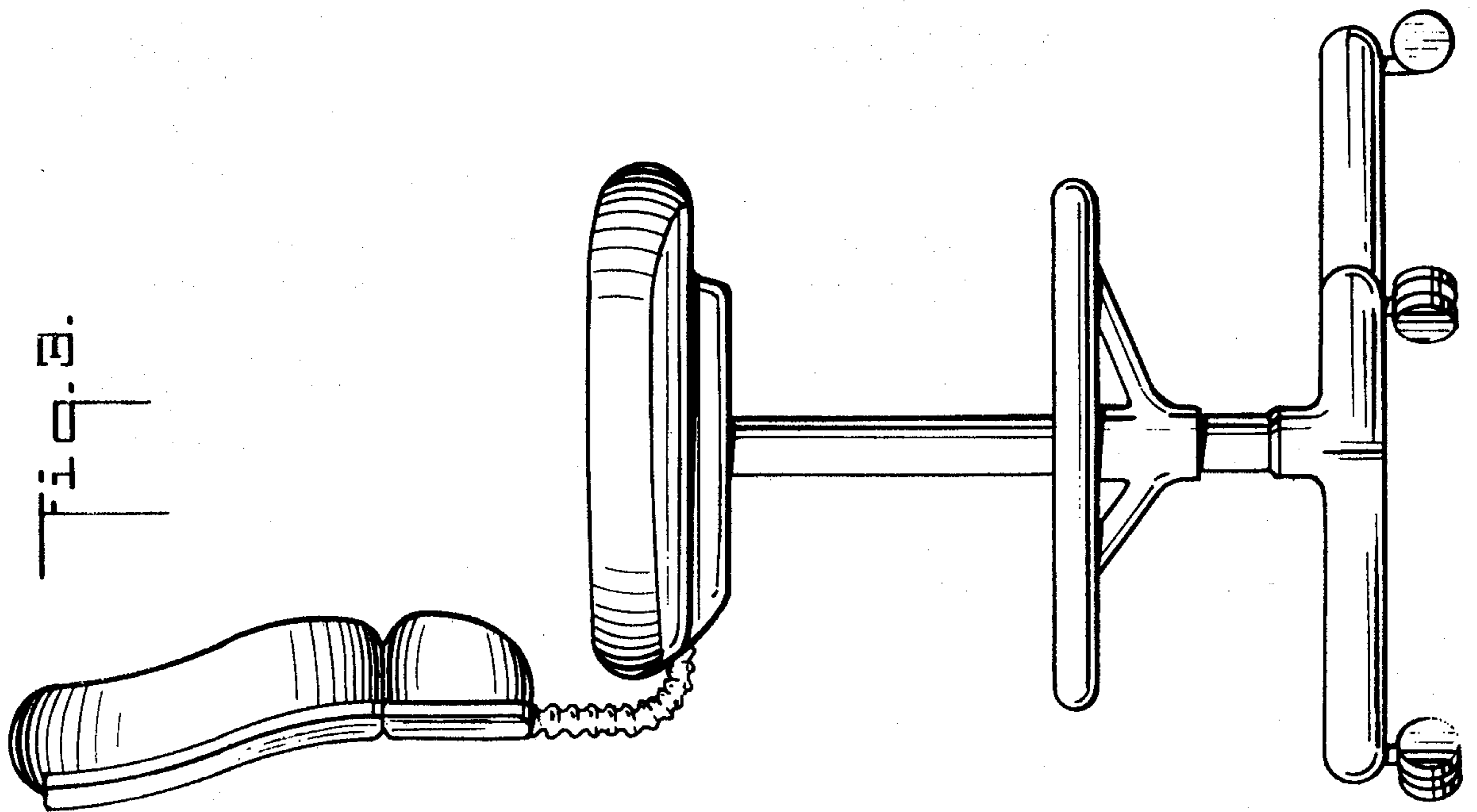


Fig. 5.