

[54] HAND HELD BACK BRUSH WITH ROTARY HEADS

[76] Inventor: Antonia Gomez, 729 Franklin St., Westbury, N.Y. 11590

[**] Term: 14 Years

[21] Appl. No.: 236,699

[22] Filed: Feb. 23, 1981

[52] U.S. Cl. D4/19

[58] Field of Search D4/14, 19; D24/36, 40, D24/41; 128/44, 56, 65; 15/22 R, 28, 159 R, 160

[56]

References Cited

U.S. PATENT DOCUMENTS

873,123	12/1907	Gardy	15/28 X
3,968,789	7/1976	Simoncini	15/22 R X
4,378,804	4/1983	Cortese, Jr.	128/56 X

Primary Examiner—Catherine E. Kemper
Attorney, Agent, or Firm—Alfred M. Walker

[57]

CLAIM

The ornamental design for a hand held back brush with rotary heads, substantially as shown and described.

DESCRIPTION

FIG. 1 is a side elevational view of a hand held back brush with rotary heads, showing my new design, the opposite side being a mirror image thereof;
FIG. 2 is a view taken along the line 2—2 of FIG. 1.
FIG. 3 is a view taken in the direction of the arrow marked FIG. 3 in FIG. 1 thereof.

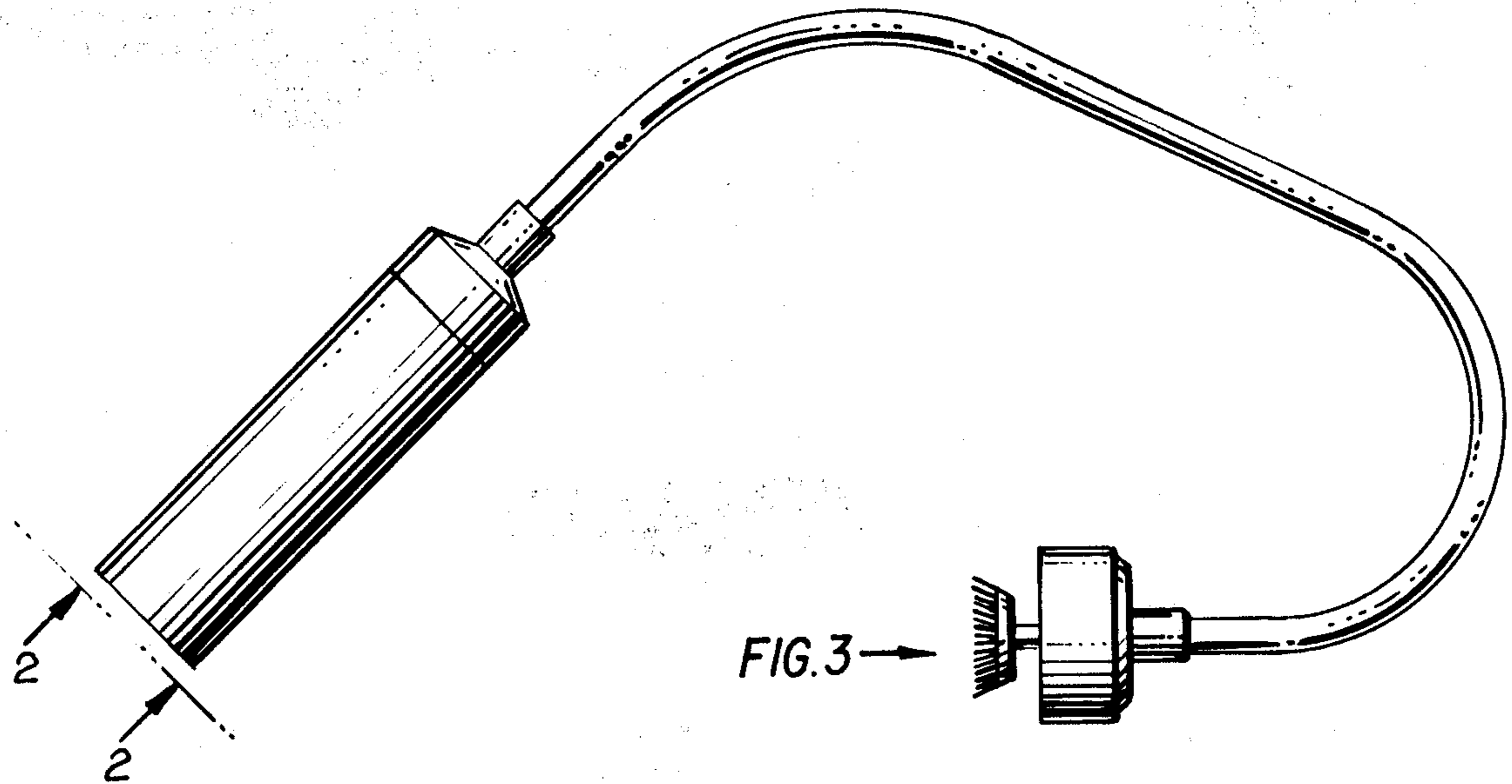


FIG. 1

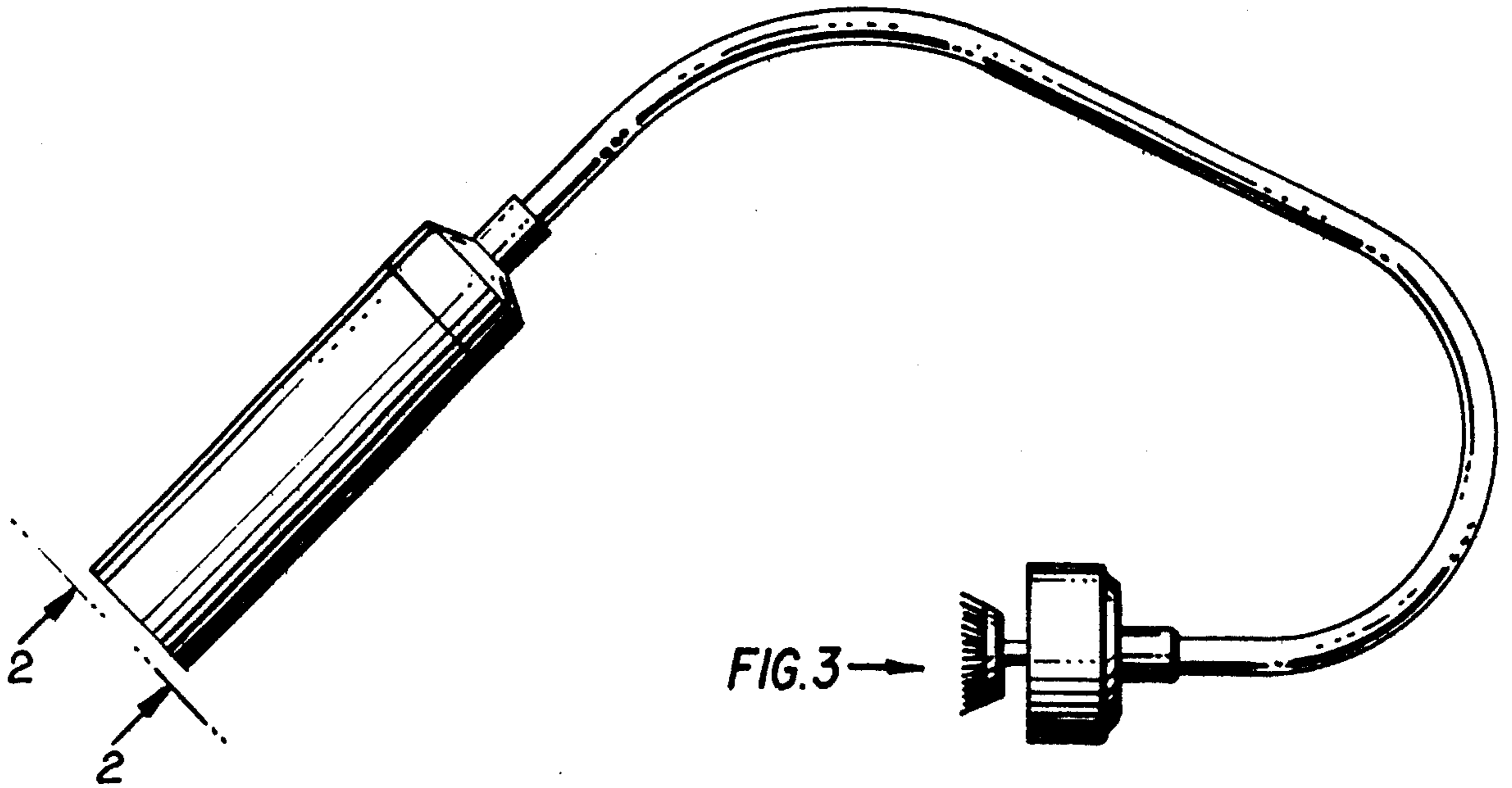


FIG. 2



FIG. 3

