

[54] WEATHERSEAL ASSEMBLY FOR DOUBLE HUNG AND SLIDING WINDOWS

Primary Examiner—A. Hugo Word
Attorney, Agent, or Firm—Cesari and McKenna

[75] Inventor: Steven R. Esty, Groveland, Mass.

[57] CLAIM

[73] Assignee: Amesbury Industries, Inc.,
Amesbury, Mass.

The ornamental design for a weatherseal assembly for double hung and sliding windows, substantially as shown and described.

[**] Term: 14 Years

DESCRIPTION

[21] Appl. No.: 367,362

[22] Filed: Apr. 12, 1982

[52] U.S. Cl. D25/73

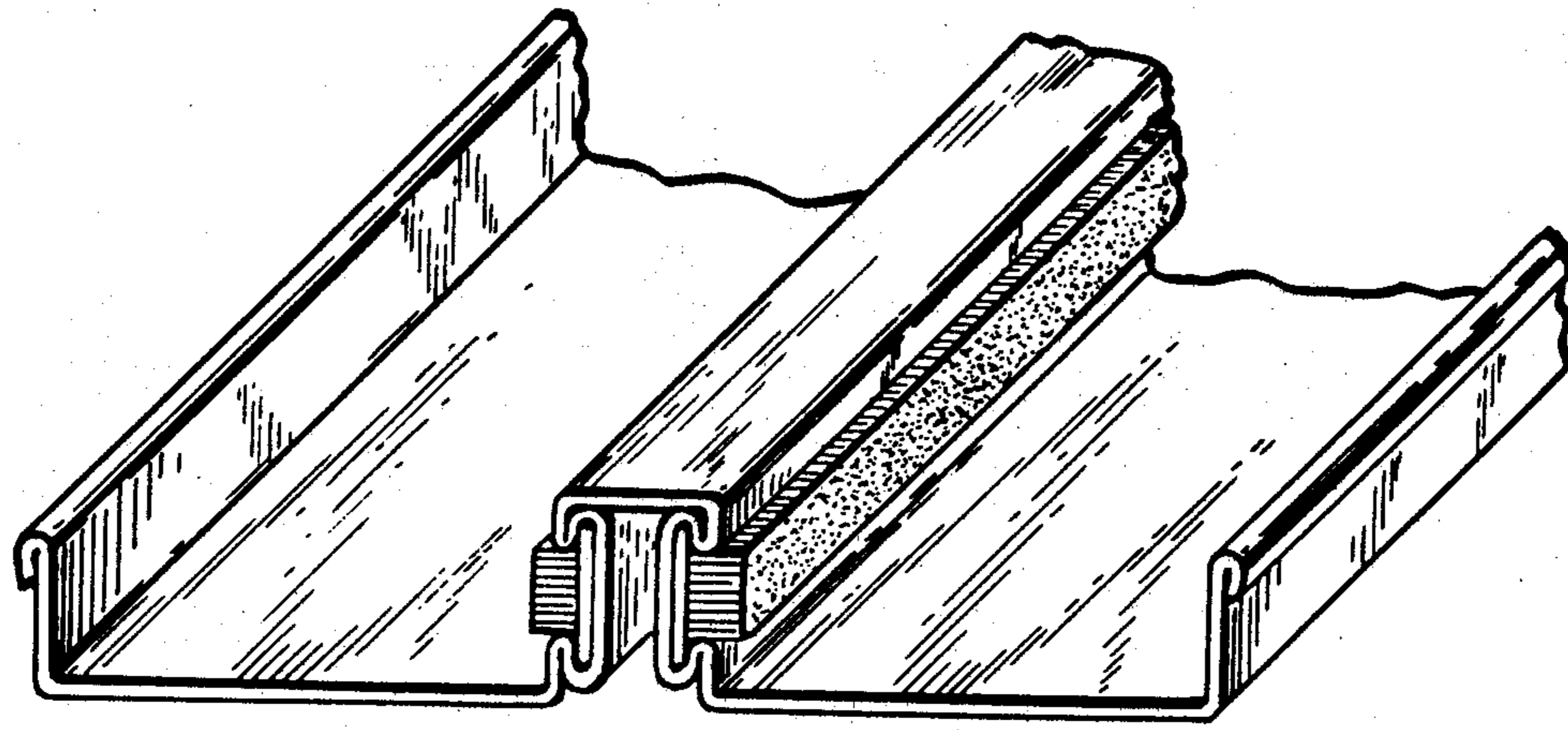
[58] Field of Search 49/434, 435, 489;
D25/70, 73, 74, 75, 76, 77, 79; 160/354; 52/403

FIG. 1 is a fragmentary perspective view of a weatherseal assembly for double hung and sliding windows embodying elements of my new design;
FIG. 2 is an end elevational view thereof;
FIG. 3 is a side elevational view thereof;
FIG. 4 is a top plan view thereof;
FIG. 5 is a bottom plan view thereof;
FIG. 6 is a view similar to FIG. 1 of another embodiment of my new design;
FIG. 7 is an end elevational view thereof;
FIG. 8 is a side elevational view thereof;
FIG. 9 is a top plan view thereof; and
FIG. 10 is a bottom plan view thereof.

[56] References Cited

U.S. PATENT DOCUMENTS

2,042,707	6/1936	Ewing	49/435
2,751,643	6/1956	Dacey	49/435
2,829,000	4/1958	Levi	49/435 X
2,901,784	9/1959	McBrayer et al.	49/435
4,160,348	7/1979	Chapman et al.	160/354 X



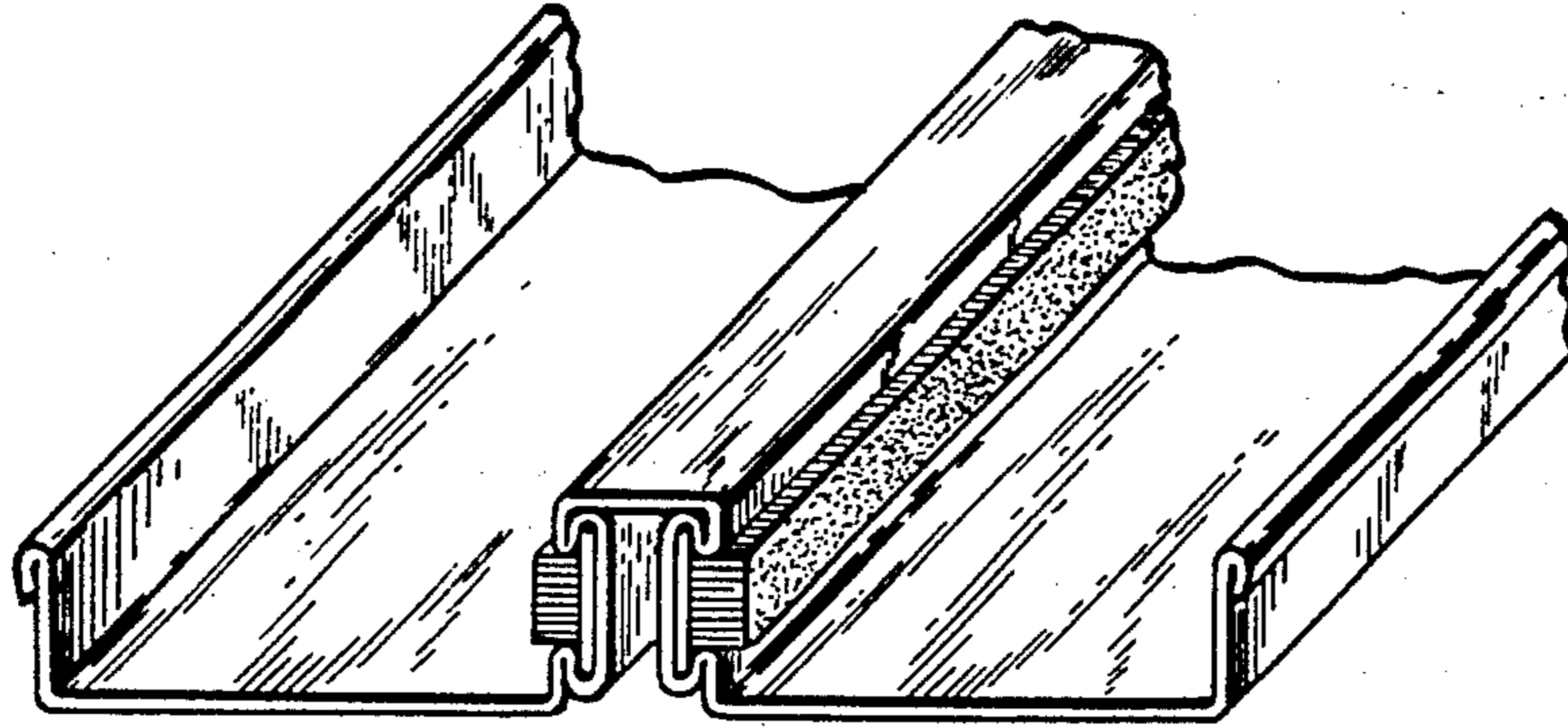


FIG. 1

FIG. 2

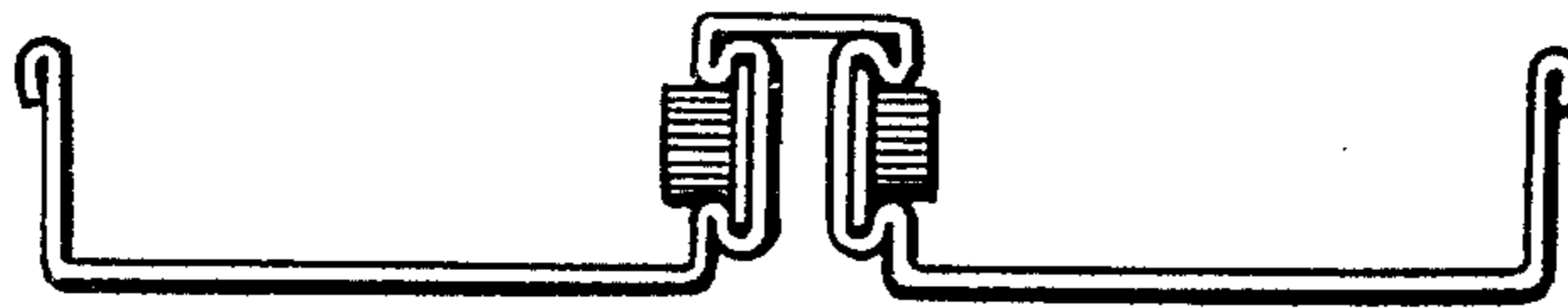


FIG. 3

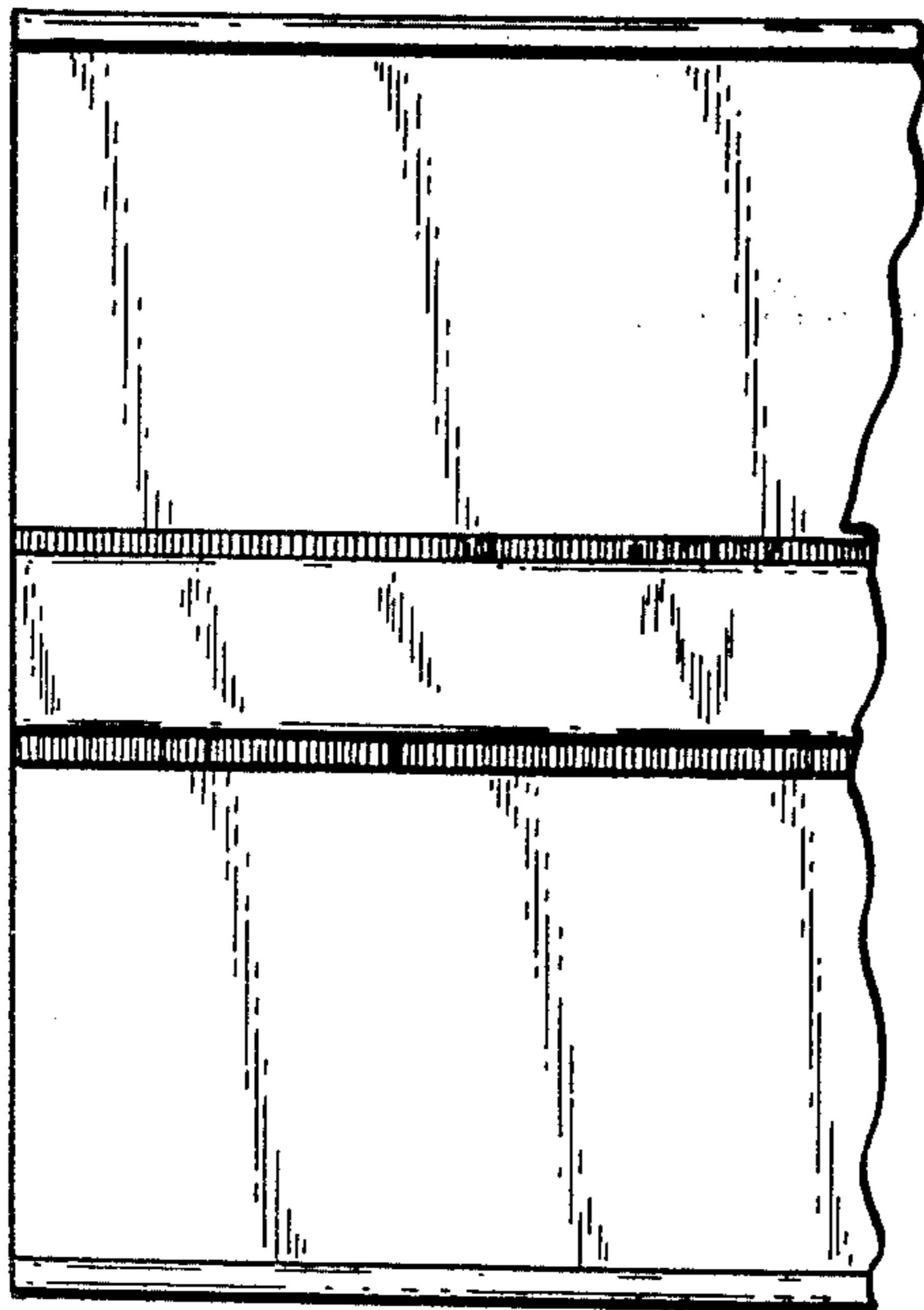
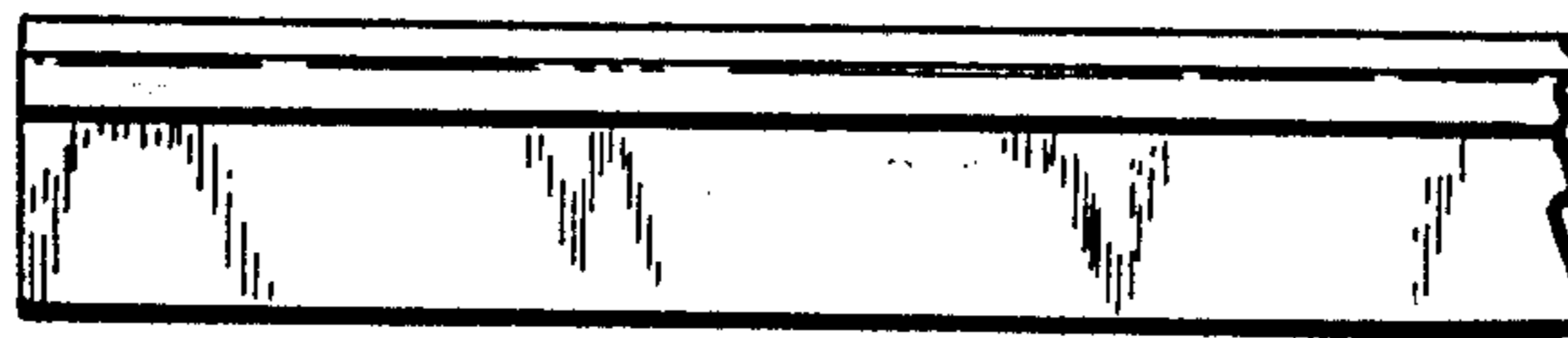


FIG. 4

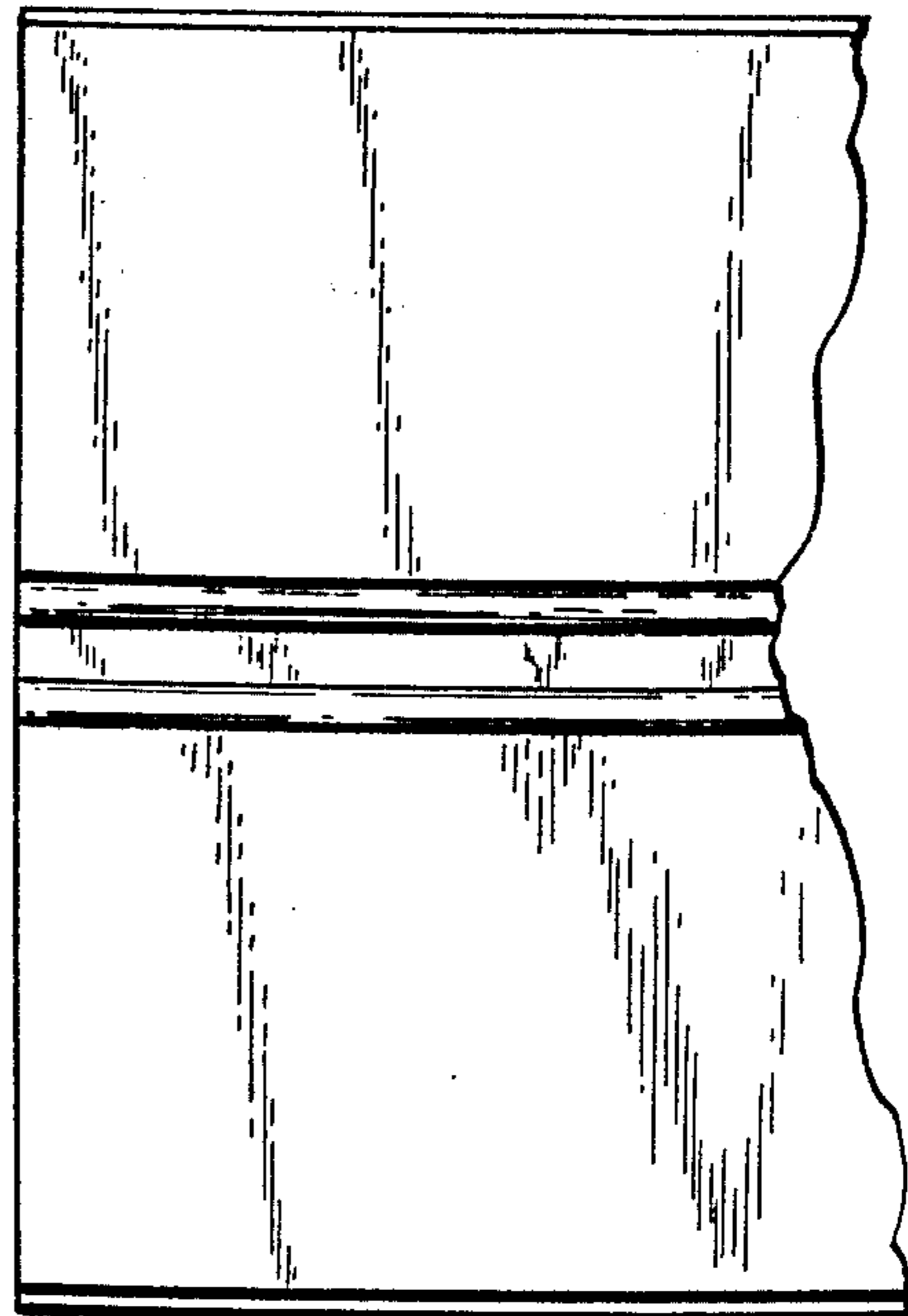


FIG. 5

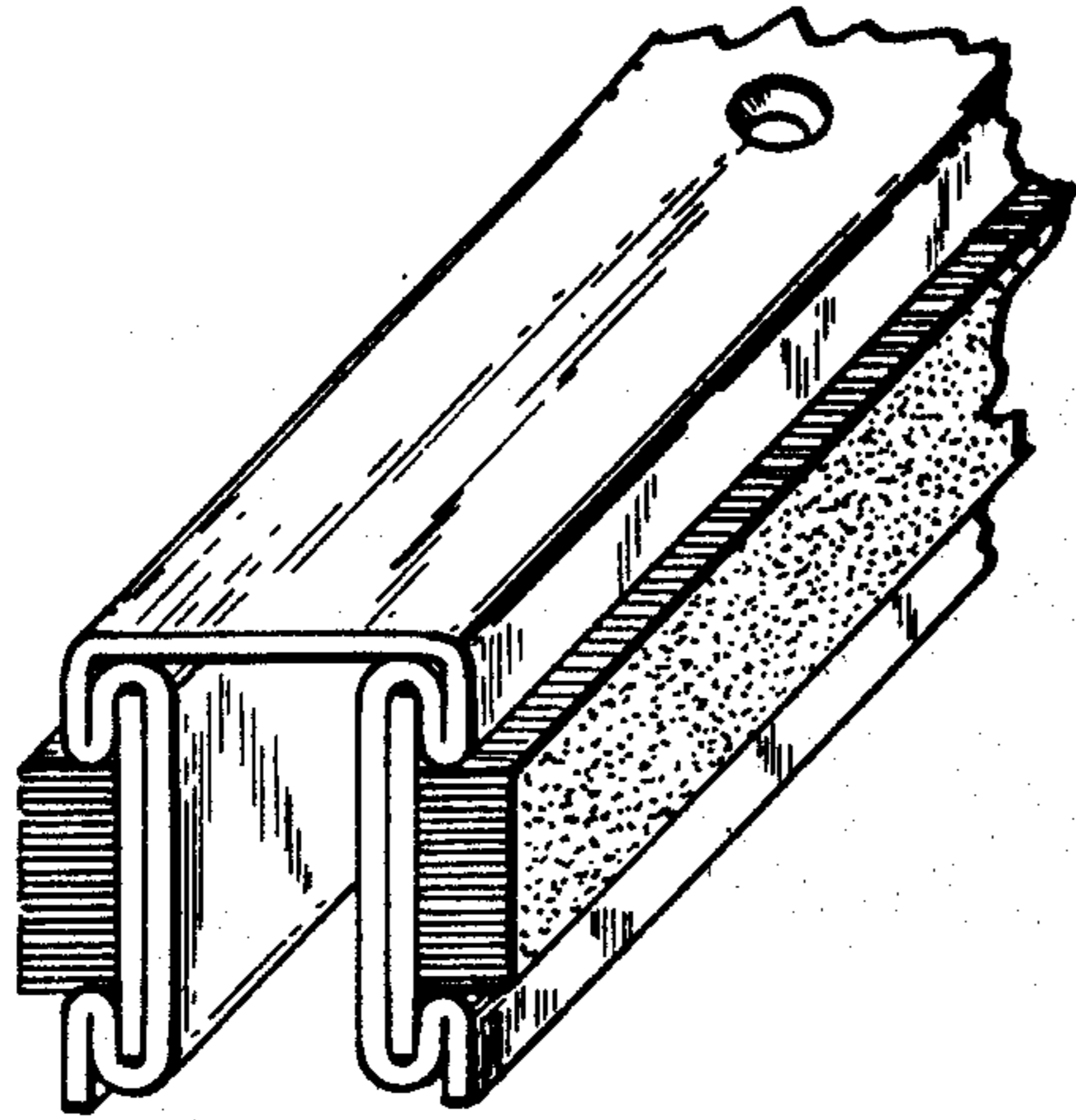


FIG. 6

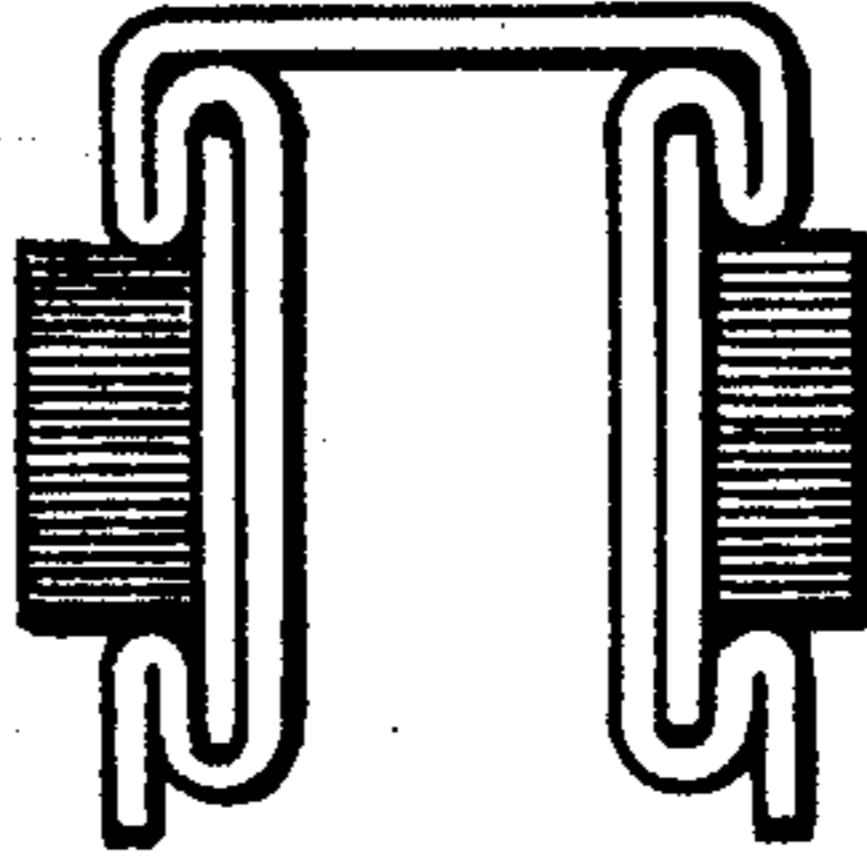


FIG. 7

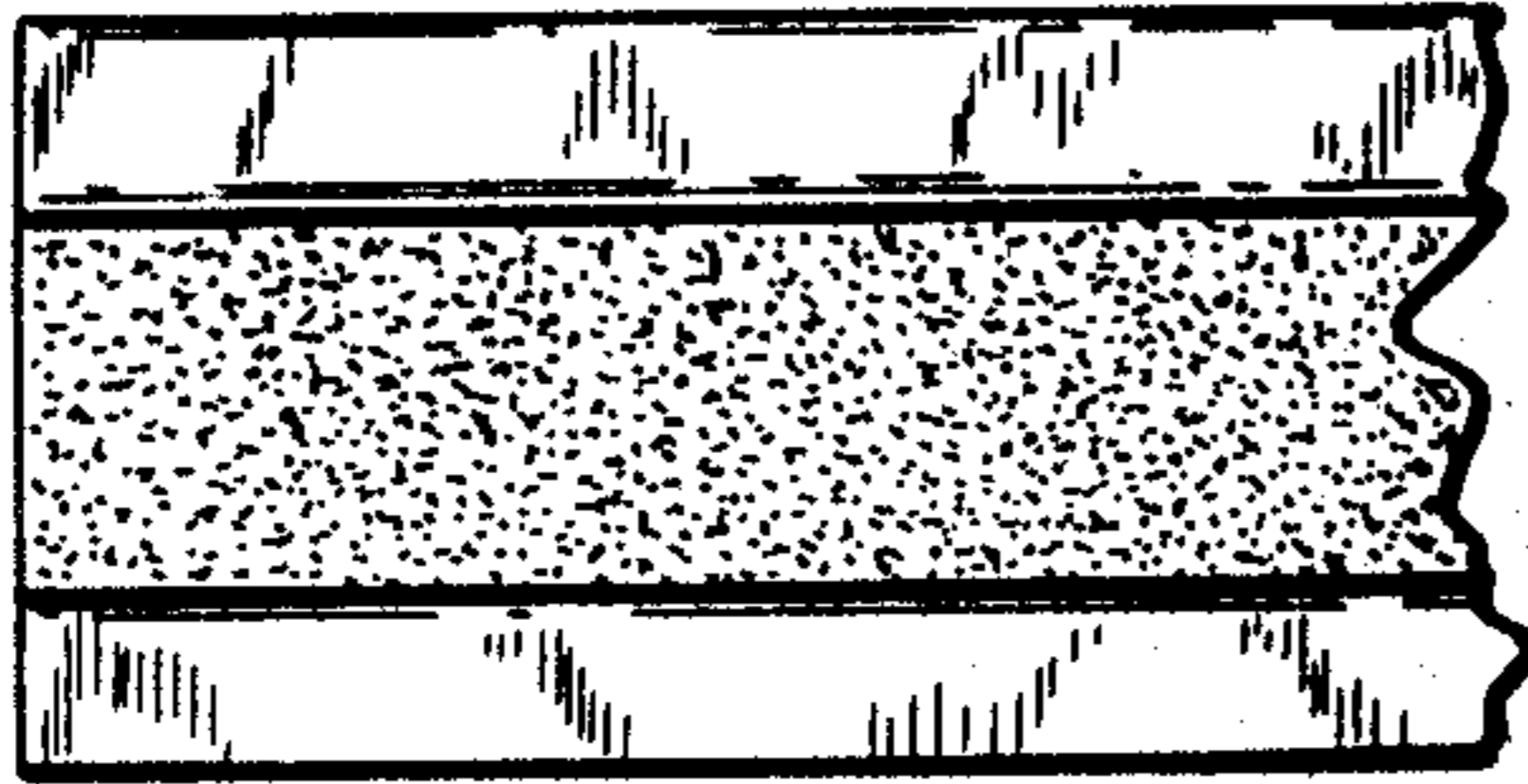


FIG. 8

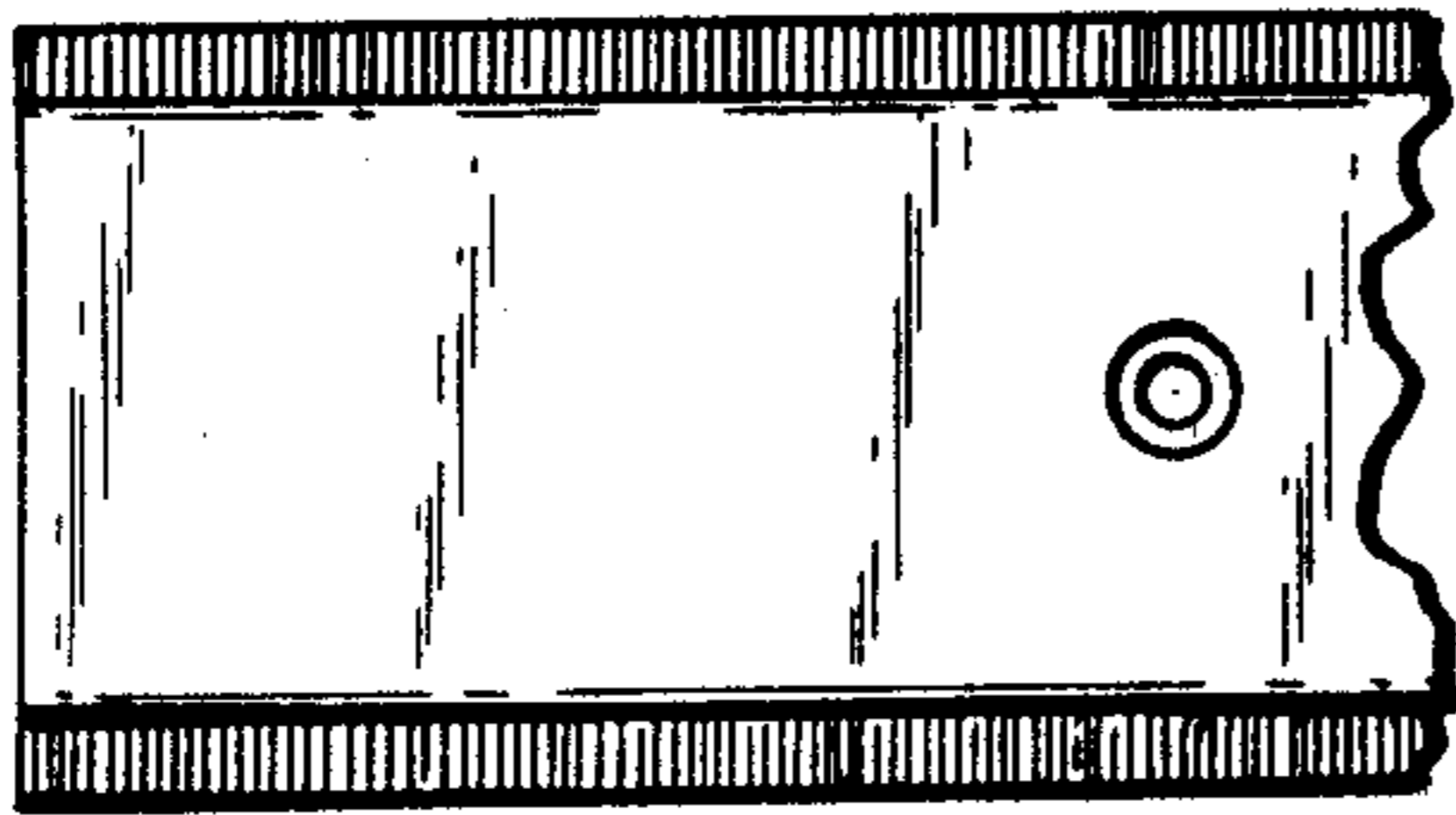


FIG. 9

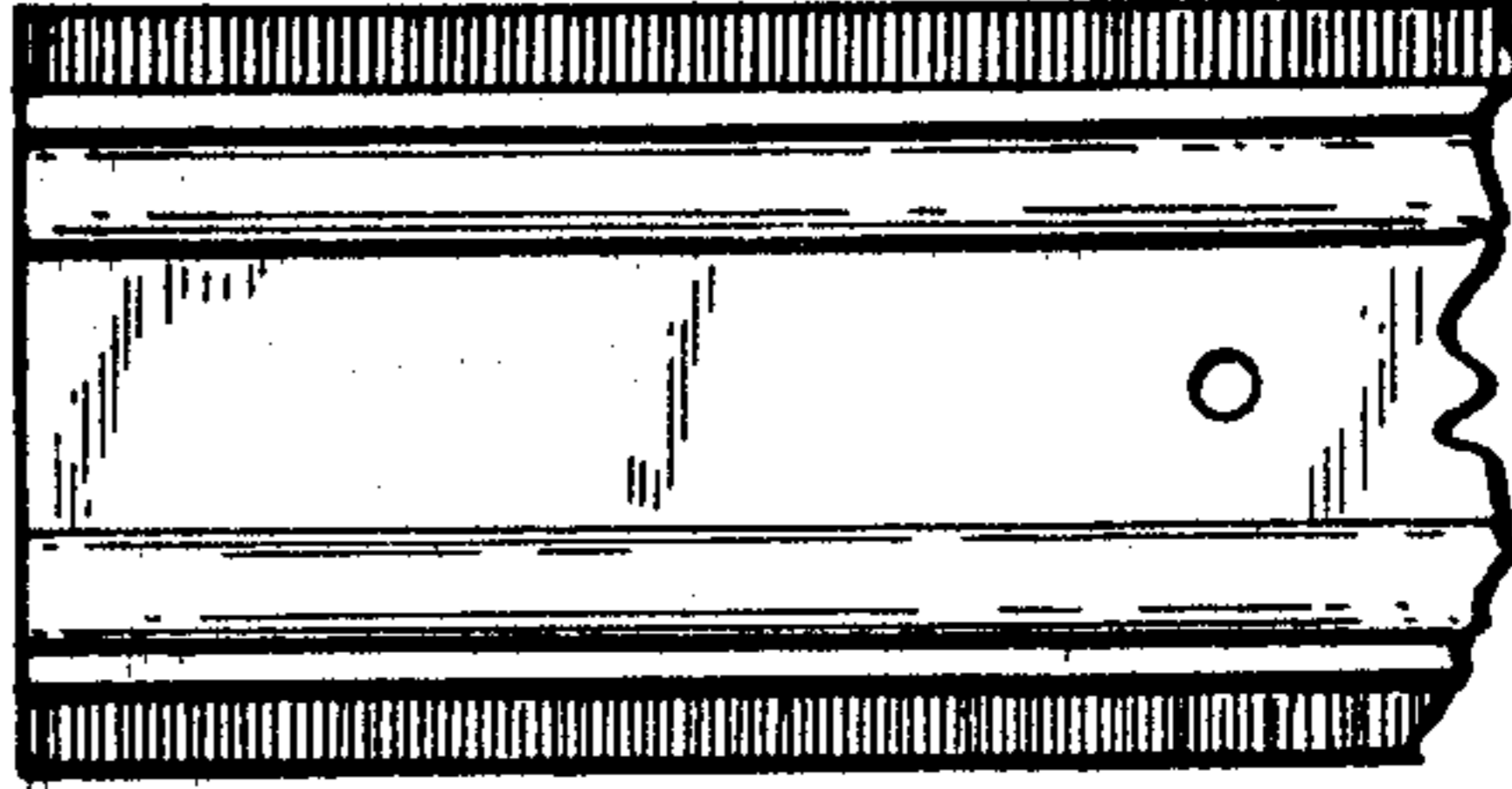


FIG. 10