

[54] MOBILE SUPPORT FOR SCAFFOLDING OR THE LIKE

[76] Inventor: Jack H. Fitch, 1224 N. 22nd St., Council Bluffs, Iowa 51501

[**] Term: 14 Years

[21] Appl. No.: 357,852

[22] Filed: Mar. 15, 1982

[52] U.S. Cl. D25/68; D34/28; D34/34

[58] Field of Search D34/28, 33, 35; D25/68; 182/142, 36, 37; 248/237

[56] References Cited

U.S. PATENT DOCUMENTS

3,854,550 12/1974 Shingler 182/36
4,074,789 2/1978 Warr et al. 182/142

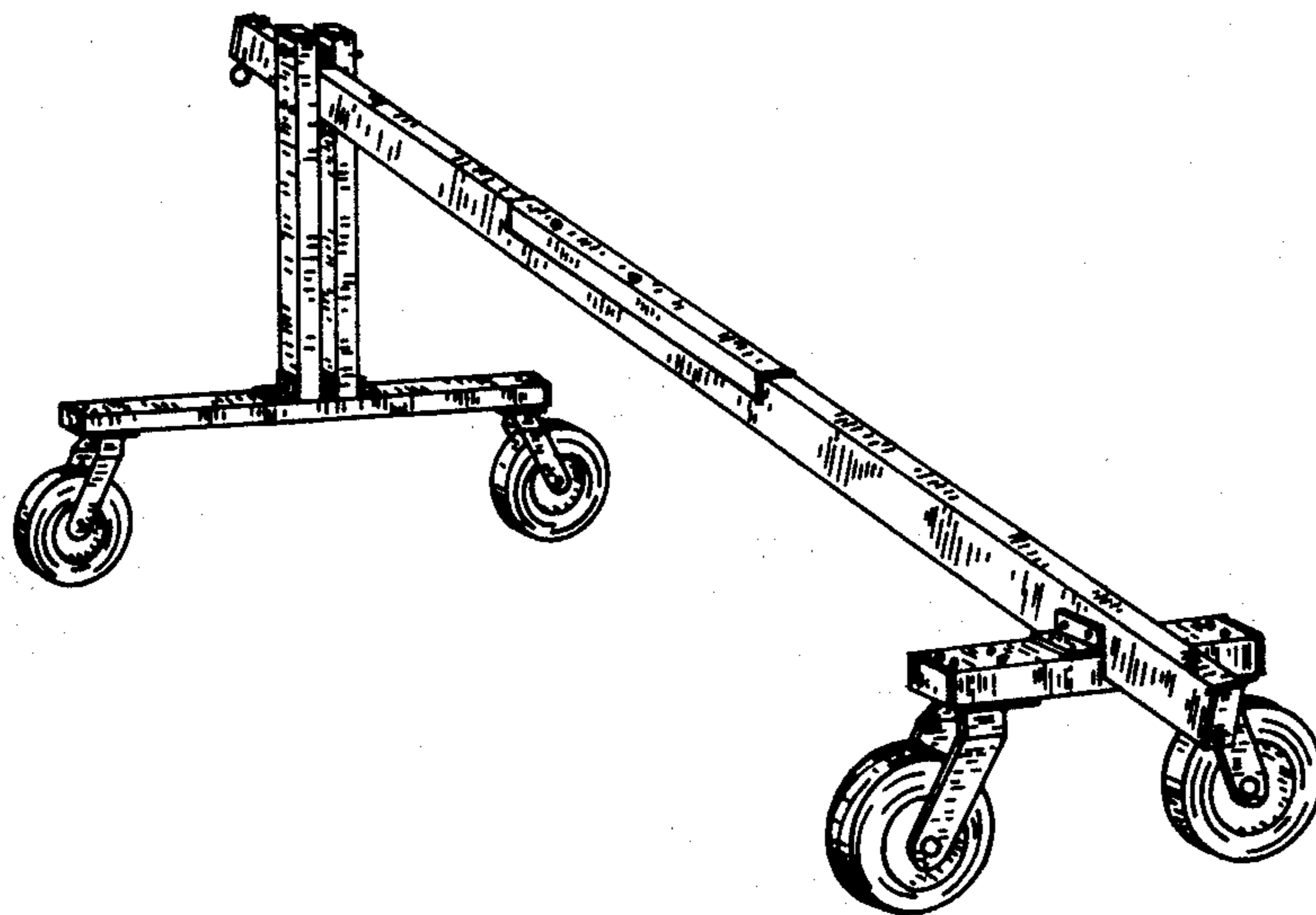
Primary Examiner—James M. Gandy
Attorney, Agent, or Firm—Zarley, McKee, Thomte, Voorhees & Sease

[57] CLAIM

The ornamental design for a mobile support for scaffolding or the like, as shown and described.

DESCRIPTION

FIG. 1 is a perspective view of my new design for a mobile support for scaffolding or the like;
FIG. 2 is a right side elevational view thereof, wherein the left side elevational view is a mirror image of that shown;
FIG. 3 is a top plan view thereof;
FIG. 4 is a bottom plan view thereof;
FIG. 5 is a rear end elevational view thereof; and
FIG. 6 is a front end elevational view thereof.



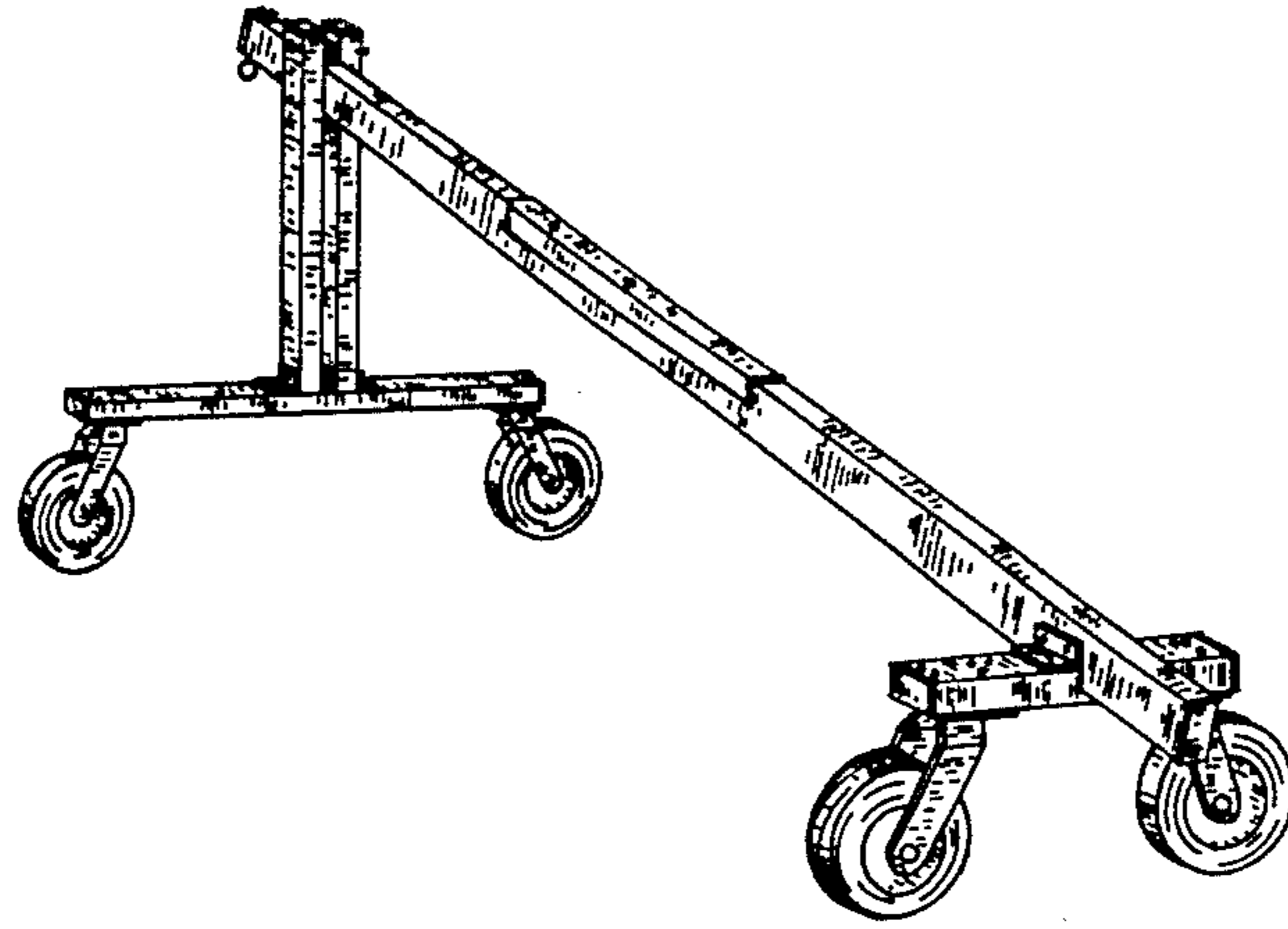


FIG. 1

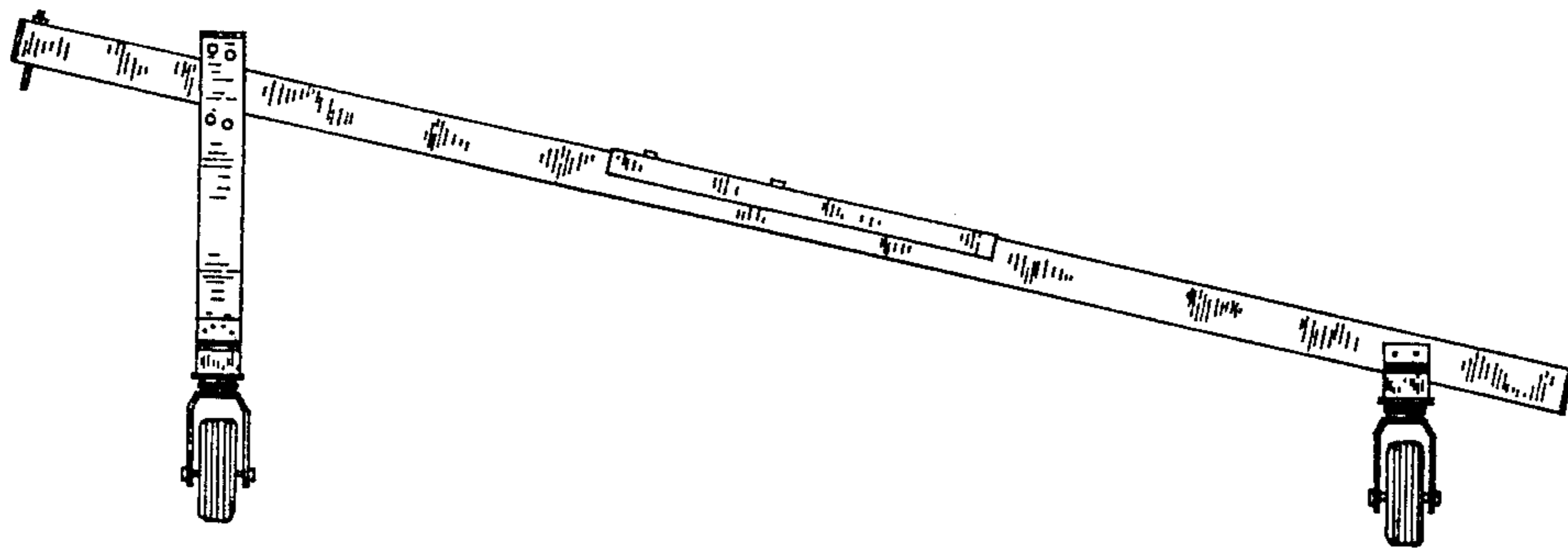


FIG. 2

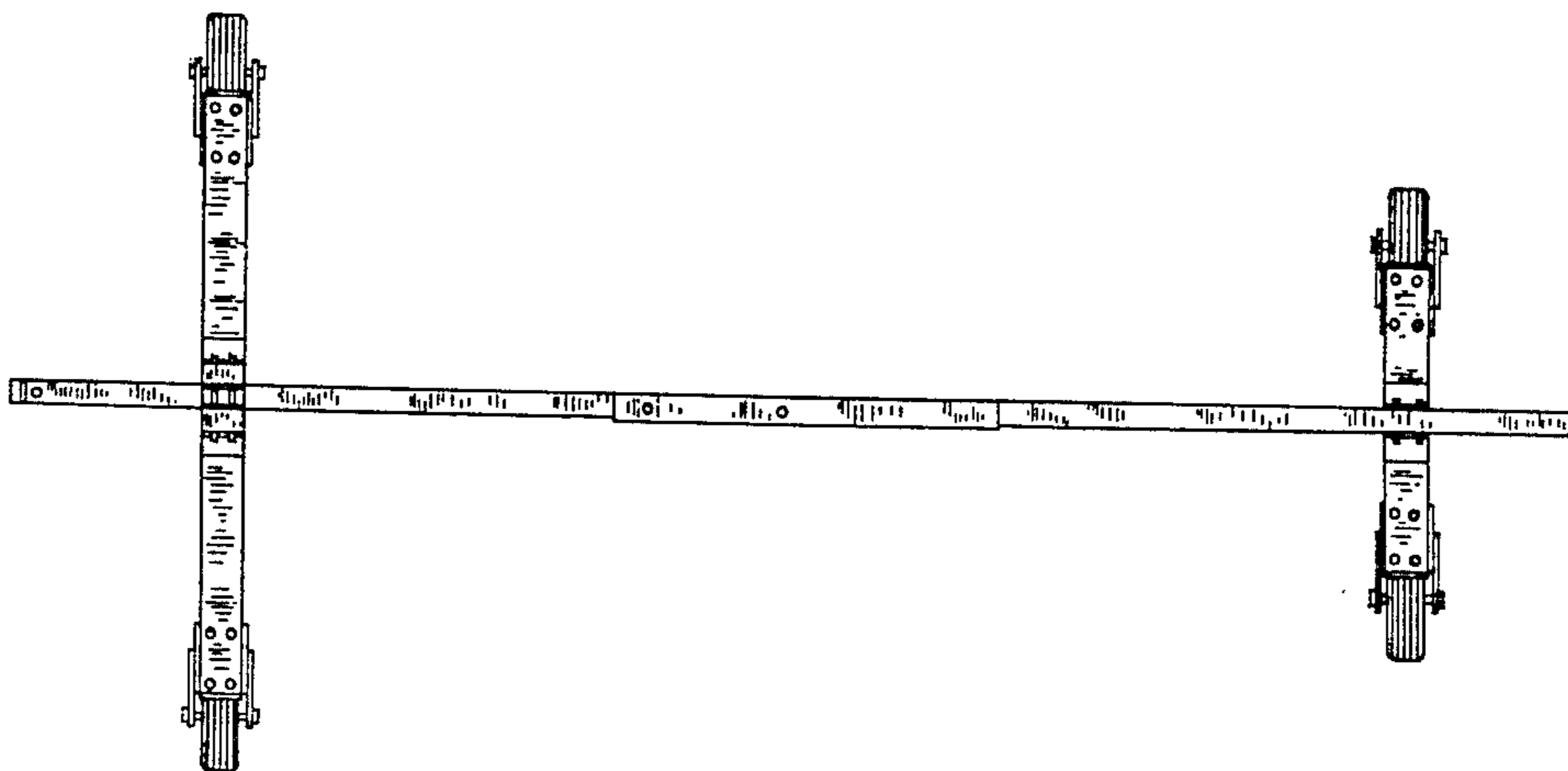


FIG. 3

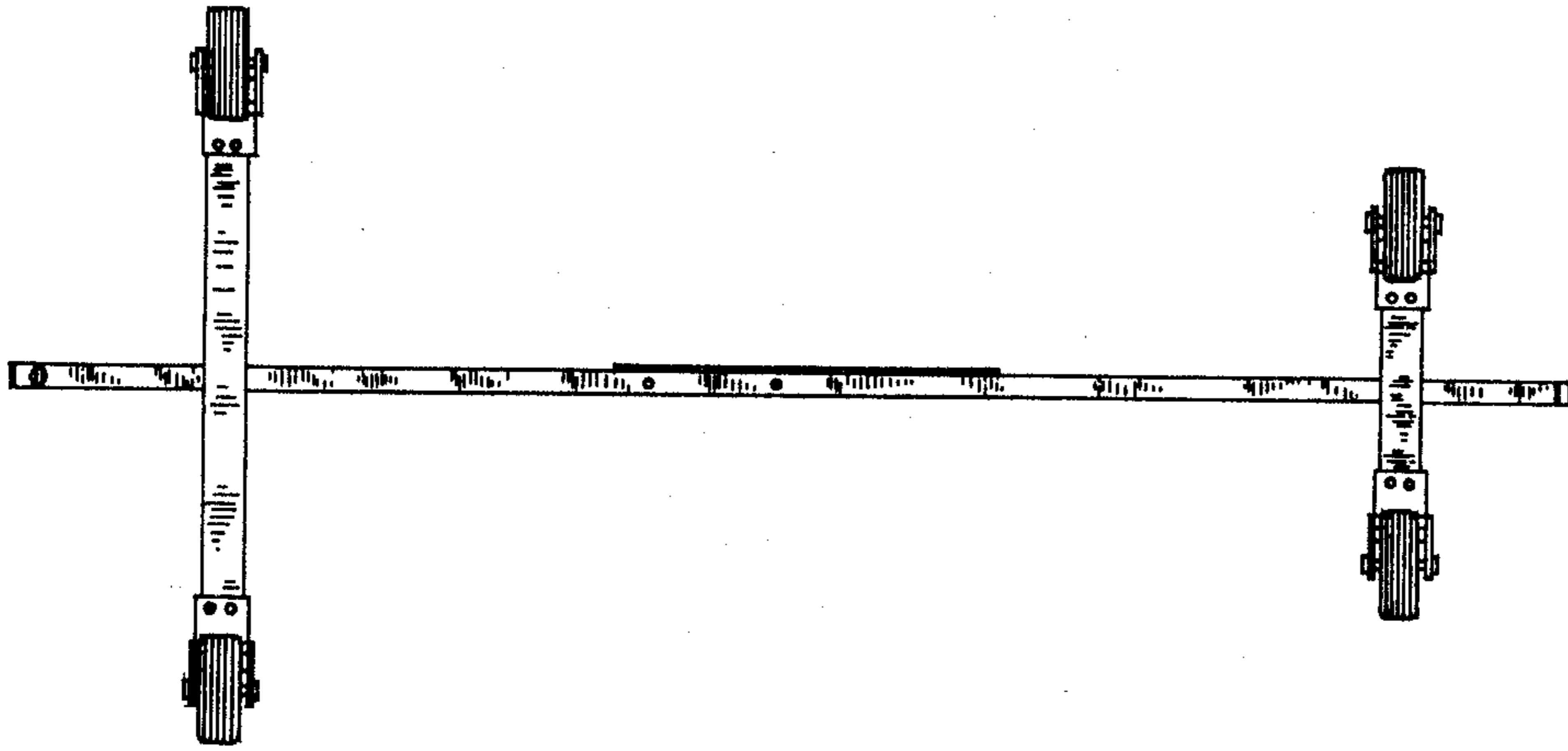


FIG. 4

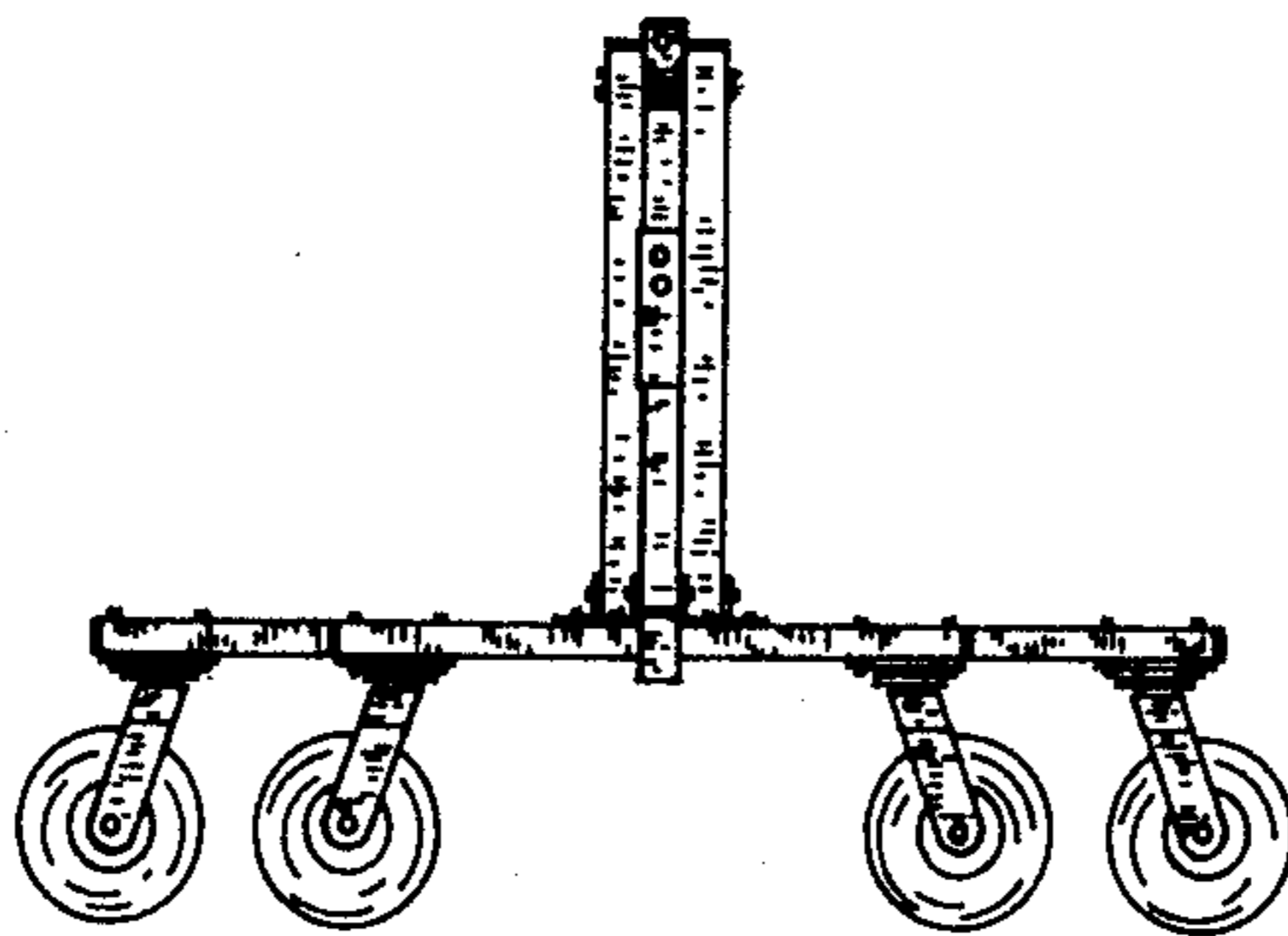


FIG. 5

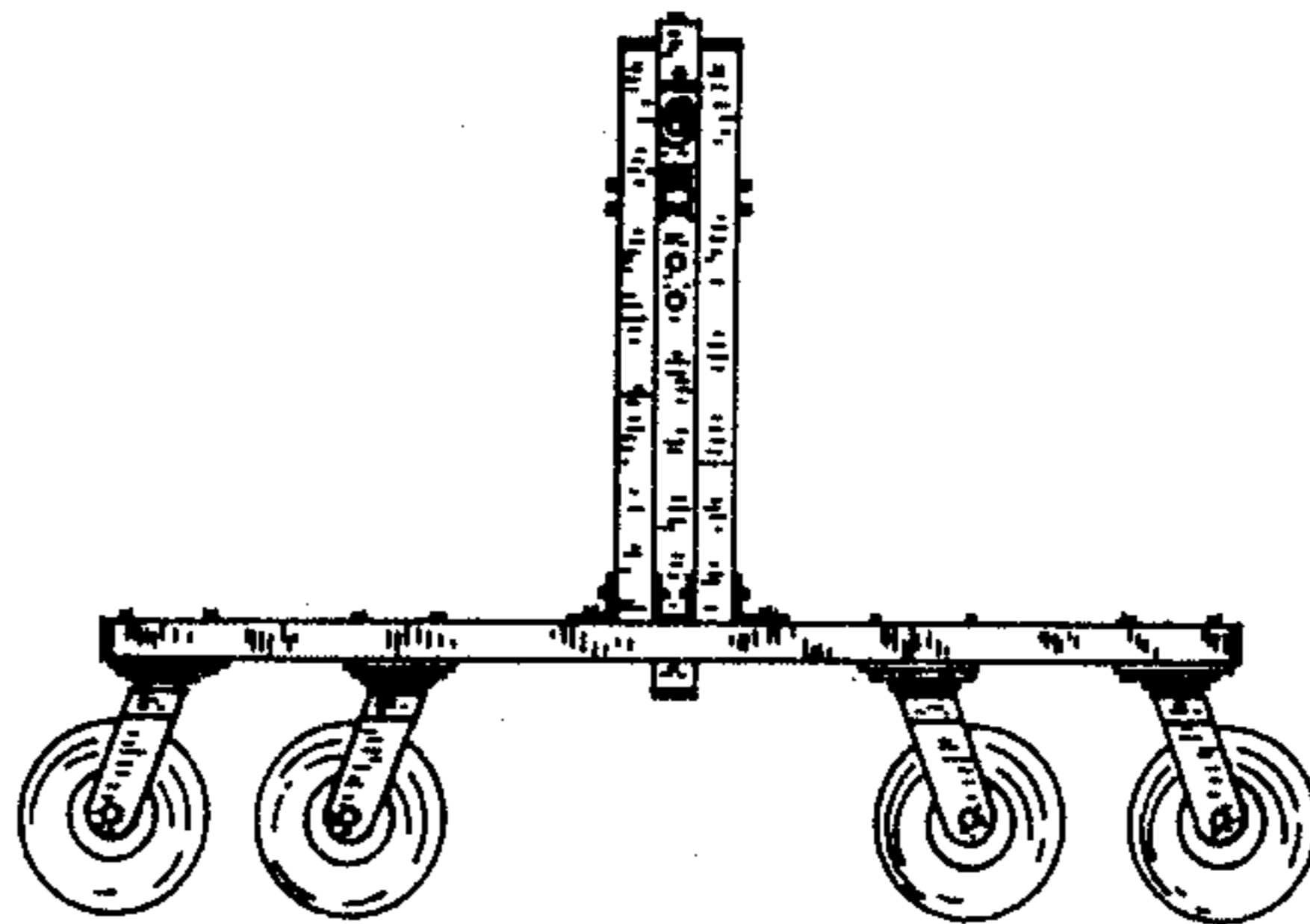


FIG. 6