

United States Patent [19]

Boström

[11] Patent Number: **Des. 274,943**

[45] Date of Patent: **** Jul. 31, 1984**

[54] **CONCRETE SUPPLY STATION**

[75] Inventor: **Sture Boström, Umeå, Sweden**

[73] Assignee: **AB Röbbäcks Mekaniska, Umeå, Sweden**

[**] Term: **14 Years**

[21] Appl. No.: **374,716**

[22] Filed: **May 4, 1982**

[30] **Foreign Application Priority Data**

Nov. 6, 1981 [SE] Sweden 81-2565

[52] U.S. Cl. **D25/3**

[58] Field of Search D25/1, 3, 11, 33;
425/88

[56] **References Cited**

U.S. PATENT DOCUMENTS

D. 245,865 9/1977 Bostrom D25/3
D. 246,383 11/1977 Bostrom D25/3
4,072,453 2/1978 Ohmanns et al. 425/88 X

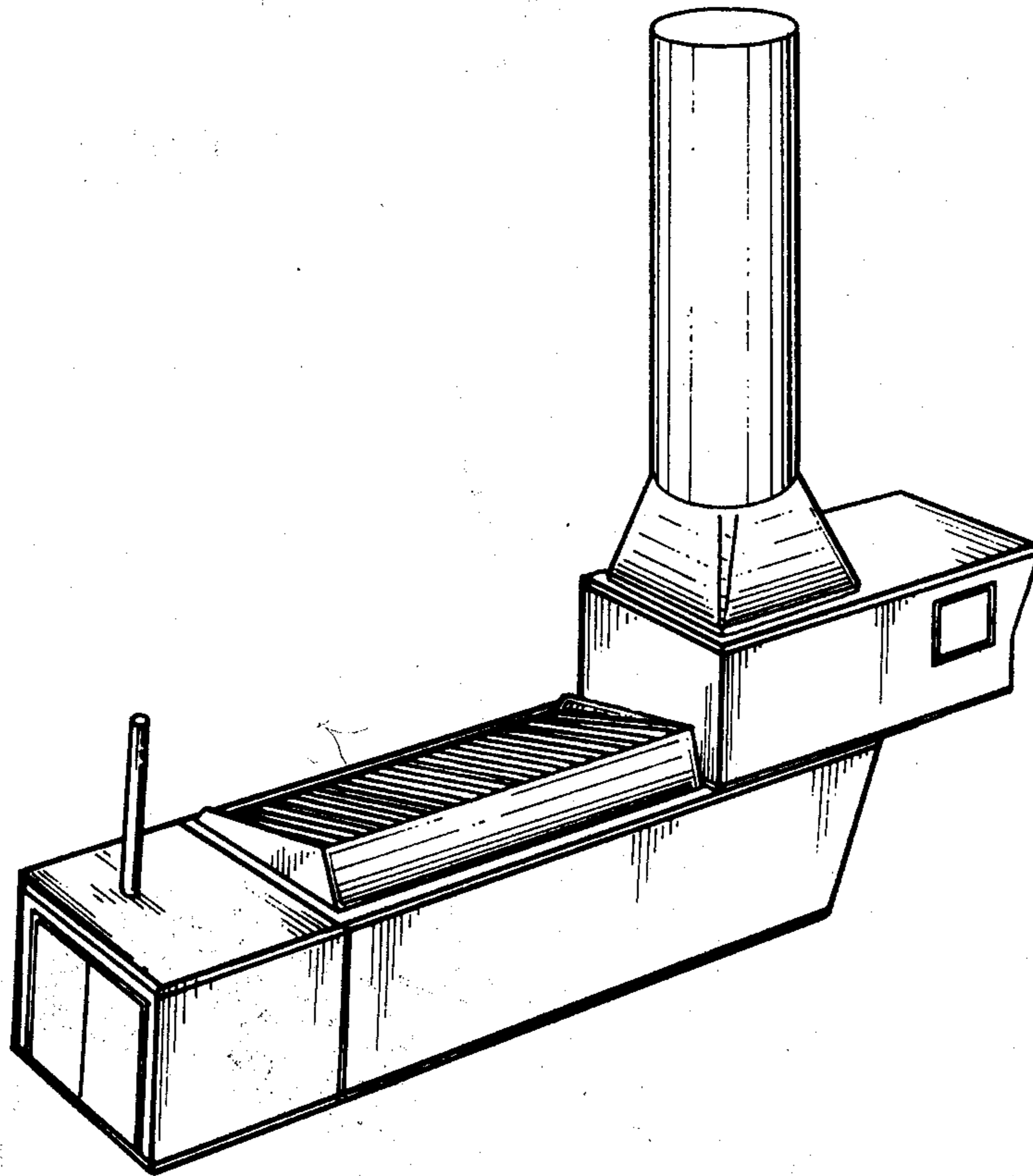
Primary Examiner—A. Hugo Word
Attorney, Agent, or Firm—Burns, Doane, Swecker & Mathis

[57] **CLAIM**

The ornamental design for a concrete supply station, as shown.

DESCRIPTION

FIG. 1 is a front perspective view of a concrete supply station showing my new design; and, FIG. 2 is a rear perspective view thereof.



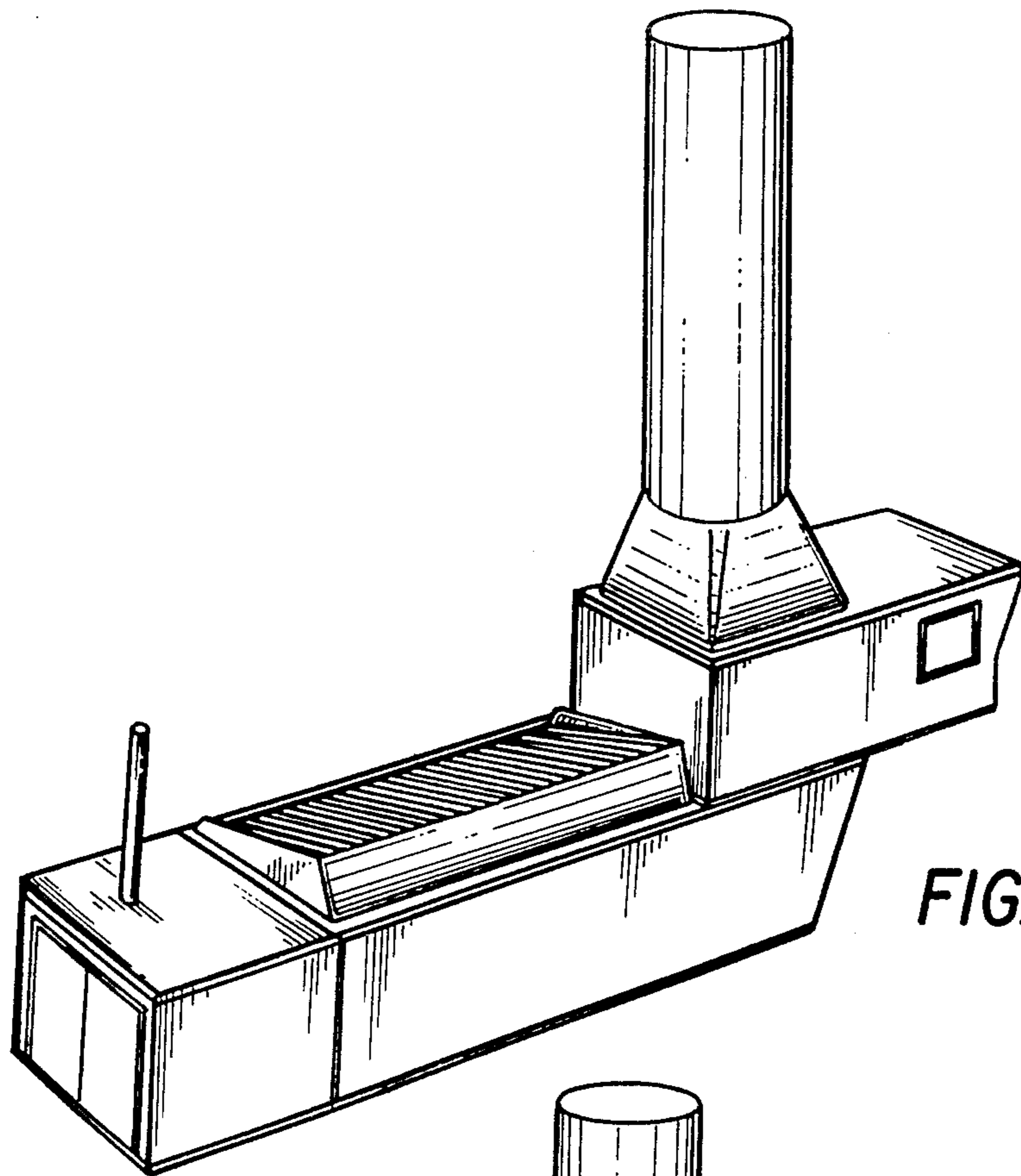


FIG. 1

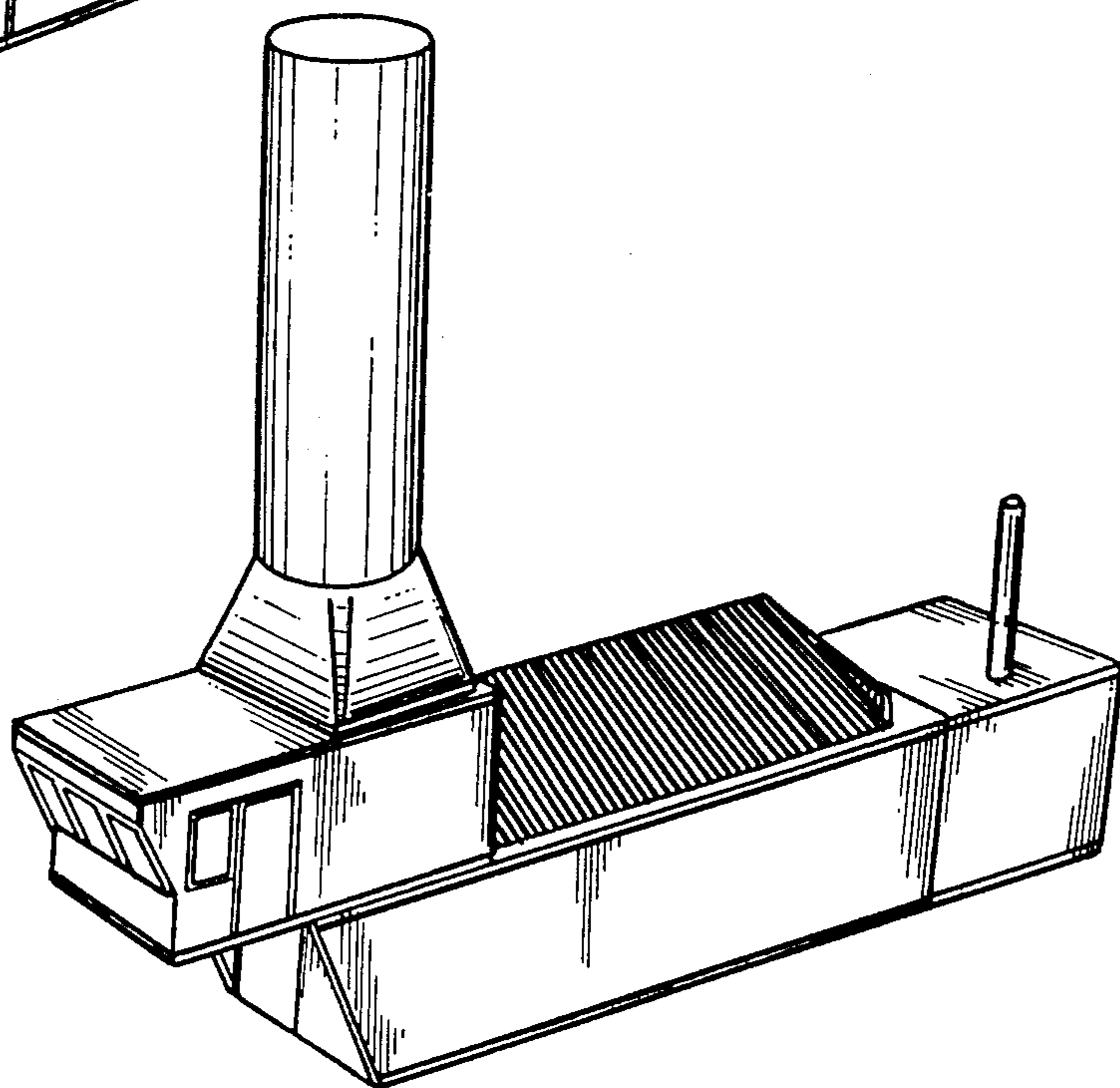


FIG. 2