

[54] CONCRETE SUPPLY STATION

[75] Inventor: Sture Boström, Umeå, Sweden

[73] Assignee: AB Röbbäcks Mekaniska, Umeå, Sweden

[\*\*] Term: 14 Years

[21] Appl. No.: 374,714

[22] Filed: May 4, 1982

[30] Foreign Application Priority Data

Nov. 6, 1981 [SE]	Sweden	81-2566
[52] U.S. Cl.		D25/3
[58] Field of Search	D25/1, 3, 11, 33;	425/88

[56] References Cited

U.S. PATENT DOCUMENTS

D. 245,865	9/1977	Bostrom	D25/3
D. 246,383	11/1977	Bostrom	D25/3
4,072,453	2/1978	Ohmanns et al.	425/88 X

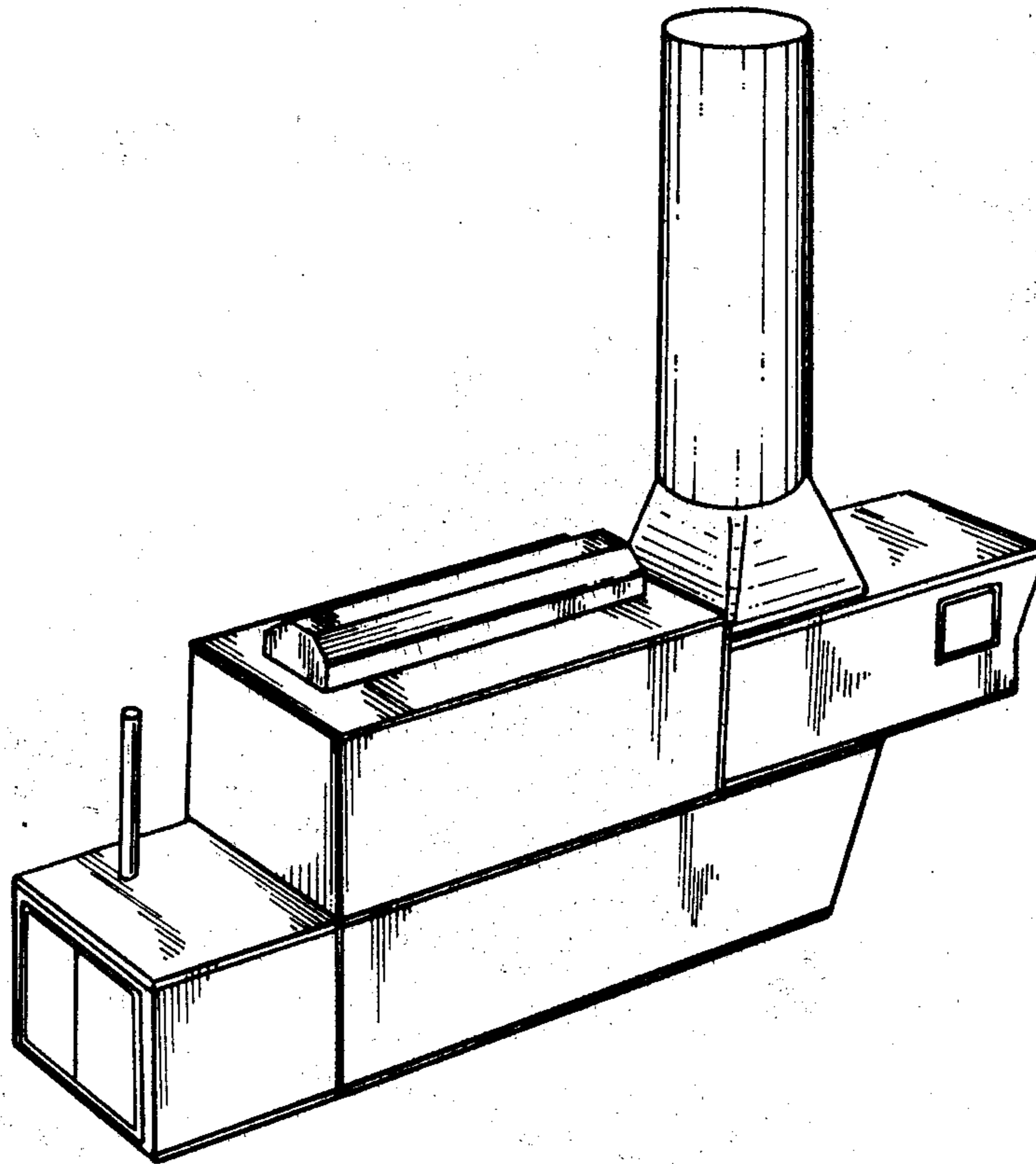
Primary Examiner—A. Hugo Word  
Attorney, Agent, or Firm—Burns, Doane, Swecker & Mathis

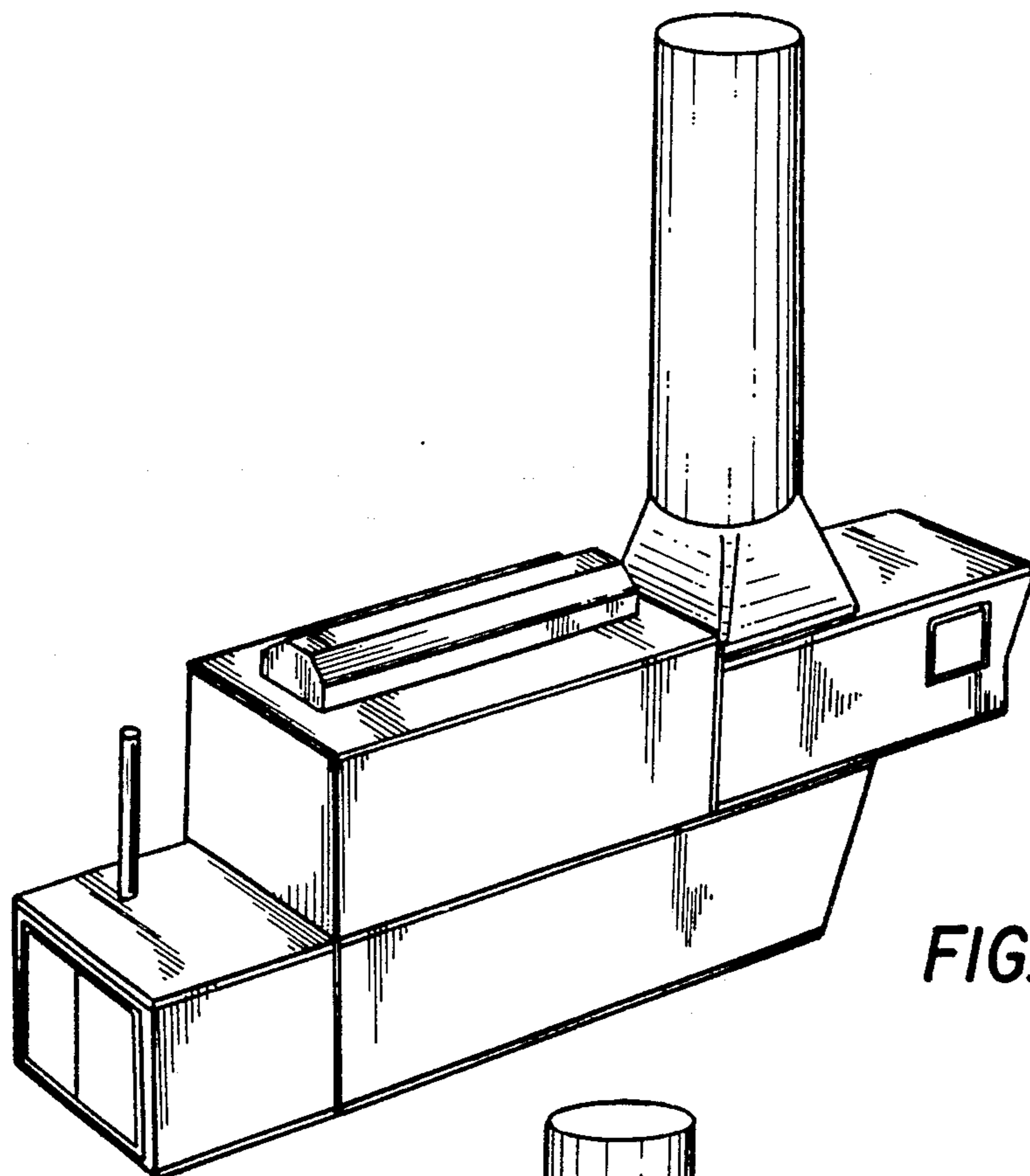
[57] CLAIM

The ornamental design for a concrete supply station, as shown.

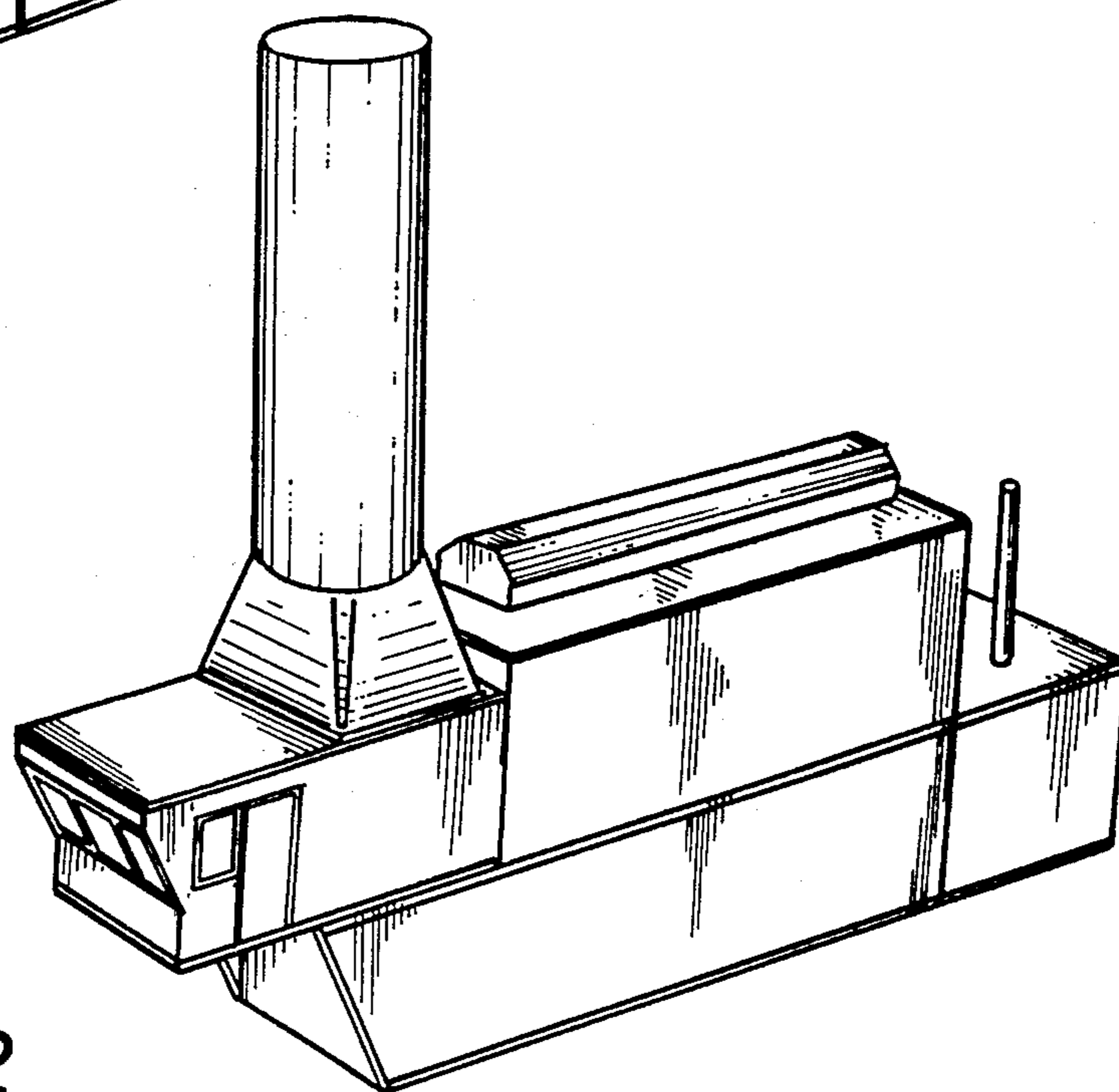
DESCRIPTION

FIG. 1 is a front perspective view of a concrete supply station showing my new design; and, FIG. 2 is a rear perspective view thereof.





*FIG. 1*



*FIG. 2*