

[54] DUST-FREE ASH REMOVER

[76] Inventor: Gilbert A. Goodwin, Rte. 1, Box 324, Chapin, S.C. 29036

[**] Term: 14 Years

[21] Appl. No.: 390,998

[22] Filed: Jun. 23, 1982

[52] U.S. Cl. D23/131; D34/1; D34/7

[58] Field of Search D34/1-11; 220/1 T, 2; 126/242, 243, 244, 245, 283; 110/166-170; 232/1 R; D23/131, 138 S

[56] References Cited

U.S. PATENT DOCUMENTS

33,058	8/1861	Walker .	
631,812	8/1899	Polley	126/242
670,767	3/1901	Cole .	
767,648	8/1904	Korjibsky .	
879,622	2/1908	Galvin .	
955,860	4/1910	Gangawere et al. .	
1,095,276	5/1914	Gnoth	126/242
1,767,312	6/1930	Russell	126/242

2,209,531	7/1940	McIntire .	
2,445,050	7/1948	Wilhite	126/242
4,361,245	11/1982	Allen et al.	220/2

FOREIGN PATENT DOCUMENTS

157012	12/1904	Fed. Rep. of Germany	126/242
252882	10/1912	Fed. Rep. of Germany	126/242
539597	11/1931	Fed. Rep. of Germany	126/242

Primary Examiner—Catherine E. Kemper
Attorney, Agent, or Firm—Benoni O. Reynolds

[57] CLAIM

The ornamental design for a dust-free ash remover, as shown and described.

DESCRIPTION

FIG. 1 is a perspective view of a dust free ash remover, showing mynew design;
FIG. 2 is a front elevational view thereof;
FIG. 3 is a left side elevational view thereof;
FIG. 4 is a rear elevational view thereof;
FIG. 5 is a top plan view thereof;
FIG. 6 is a perspective view of a second embodiment of a dust free ash remover.

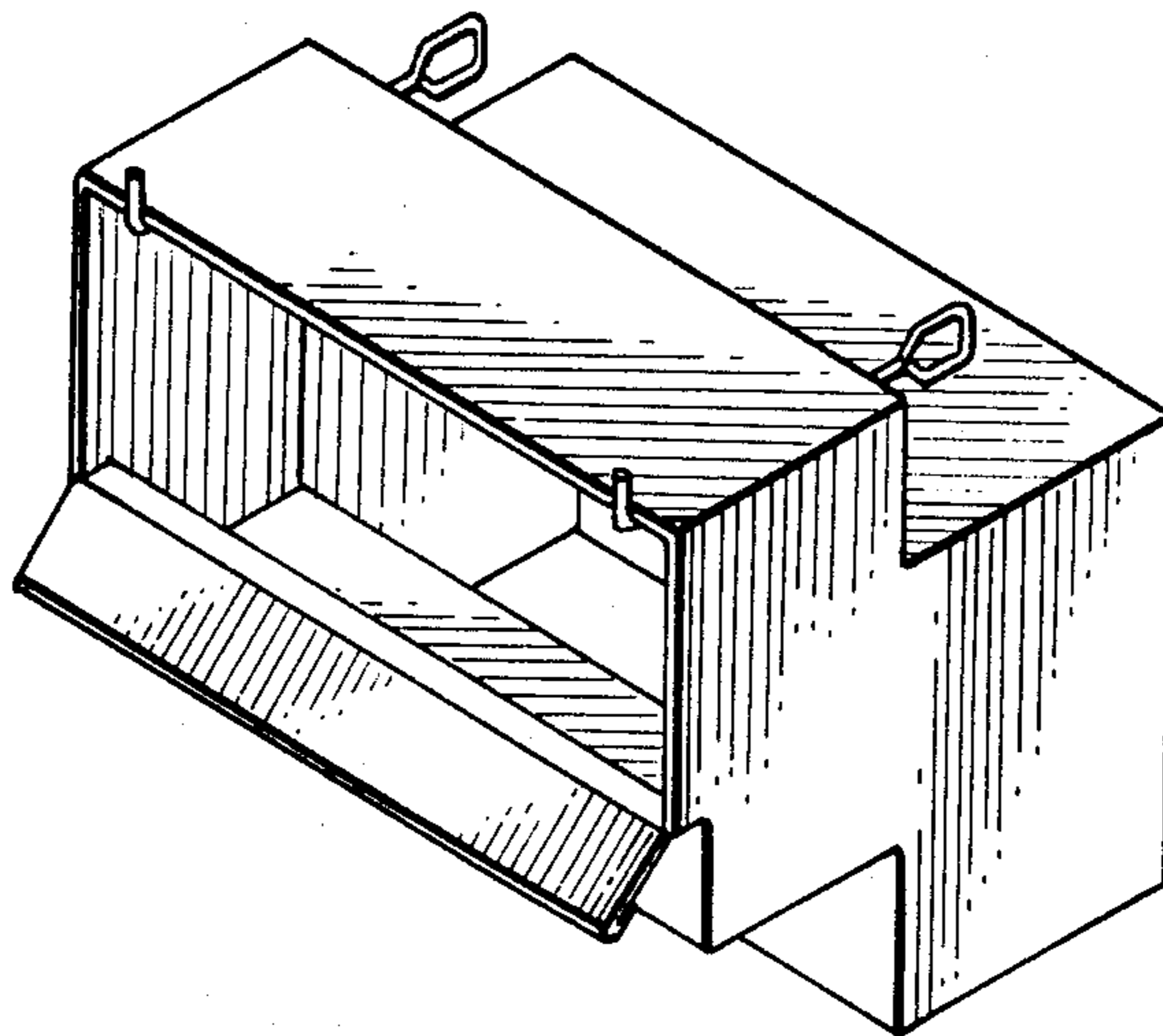


FIG. 1.

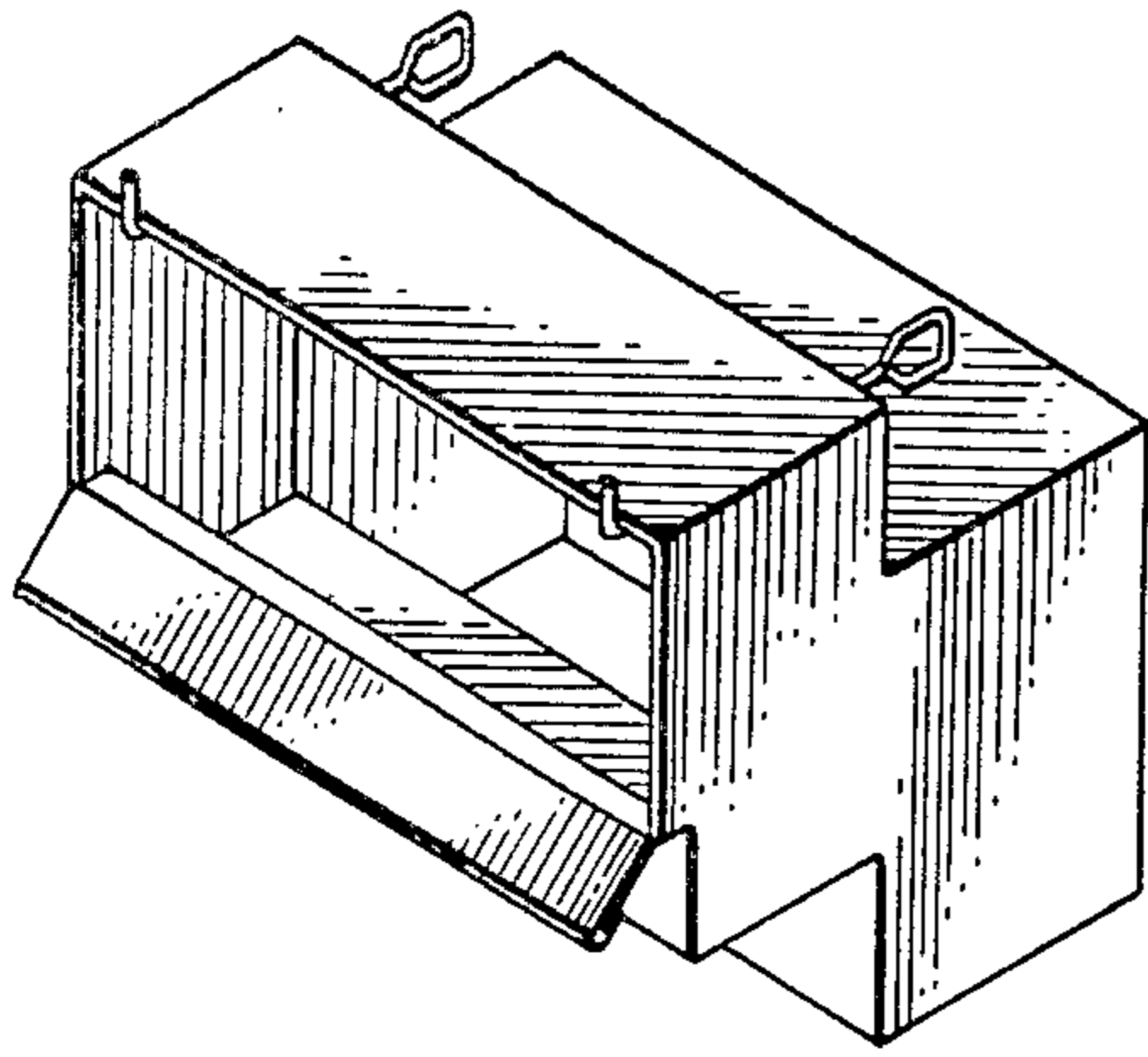


FIG. 2.

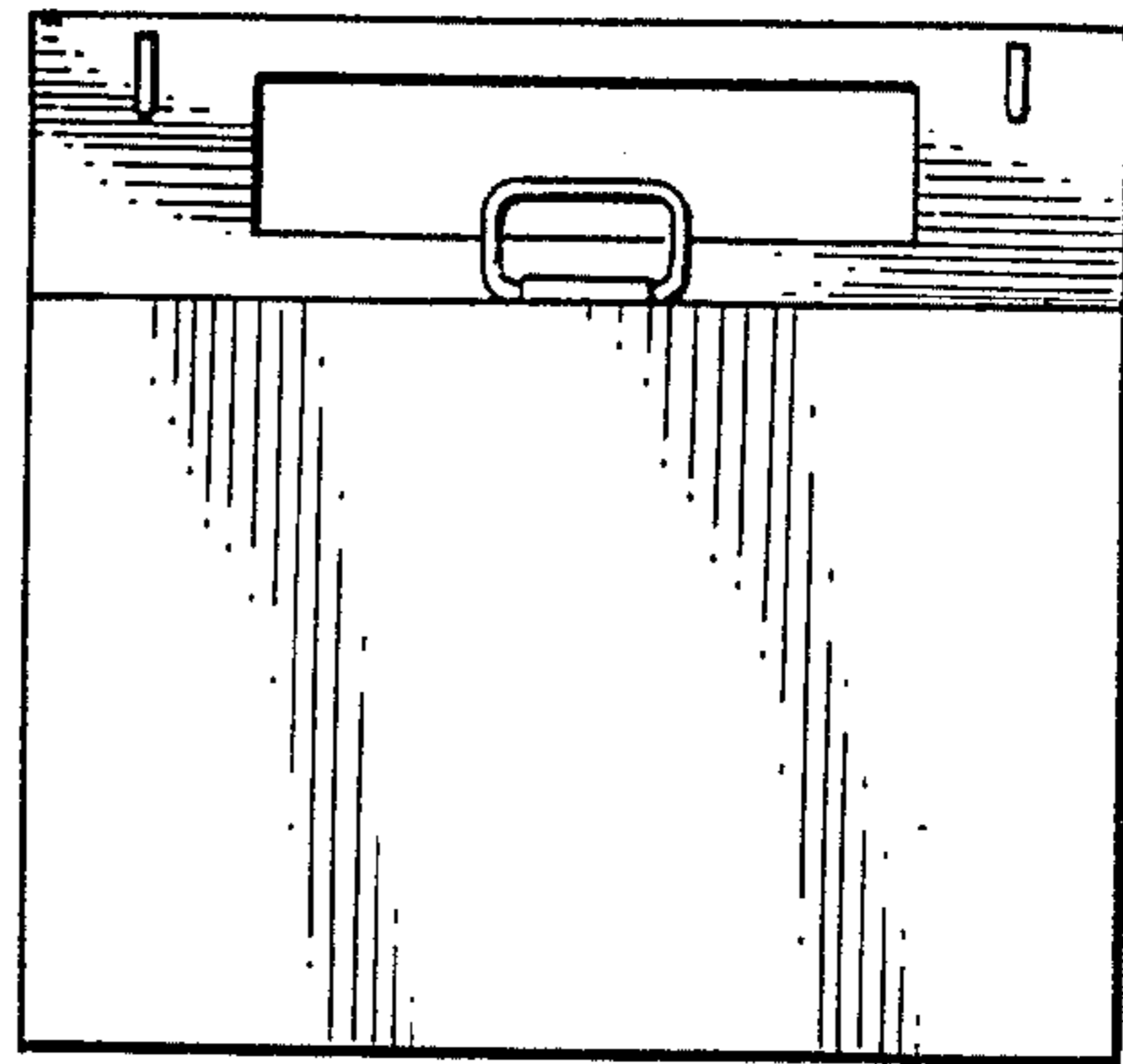


FIG. 3.

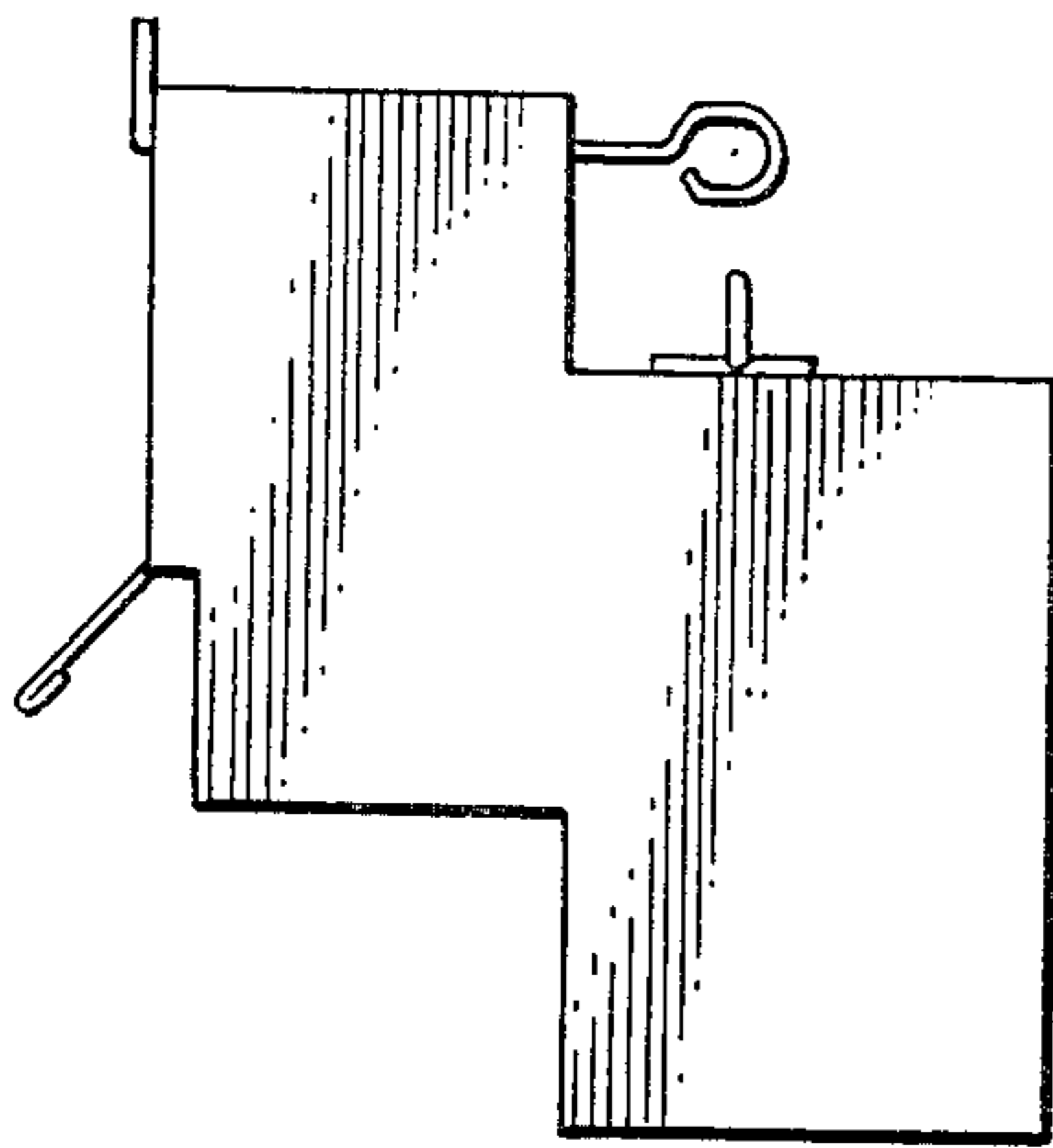


FIG. 4.

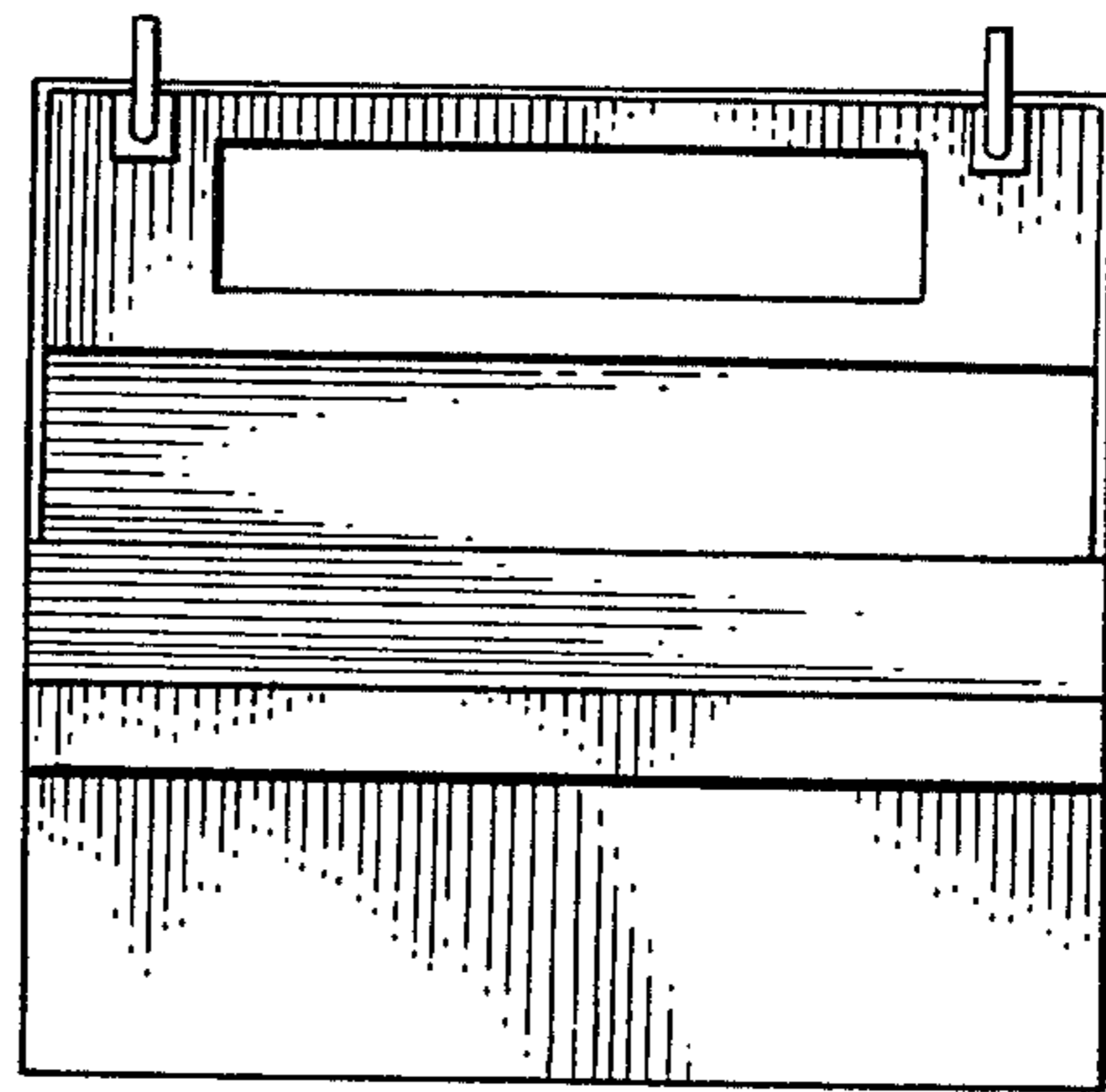


FIG. 5.

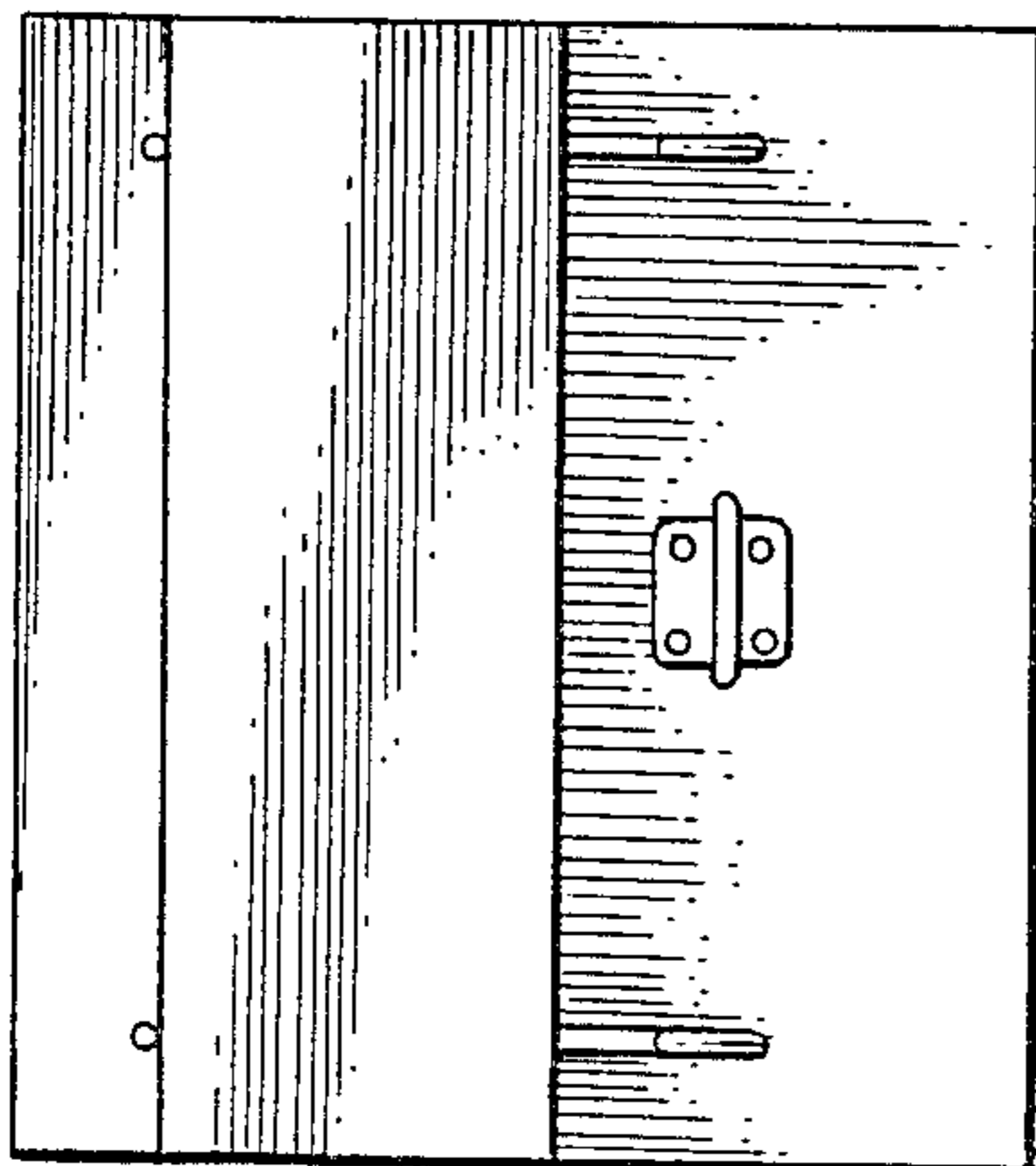


FIG. 6.

