

[54] MANUAL EXERCISER

[76] Inventor: Donald E. Holcomb, 7001 W. Palmer Lake Dr., Brooklyn Center, Minn. 55429

[\*\*] Term: 14 Years

[21] Appl. No.: 374,343

[22] Filed: May 3, 1982

[52] U.S. Cl. .... D21/198

[58] Field of Search ..... D21/191-199; 272/93, 99, 109, 67, 119, 122, 123, 68

[56] References Cited

U.S. PATENT DOCUMENTS

2,973,962 3/1961 Griffin ..... D21/198

3,717,338 2/1973 Hughes ..... 272/67  
3,764,131 10/1973 Rooks ..... 272/67  
3,830,493 8/1974 Miller ..... 272/67

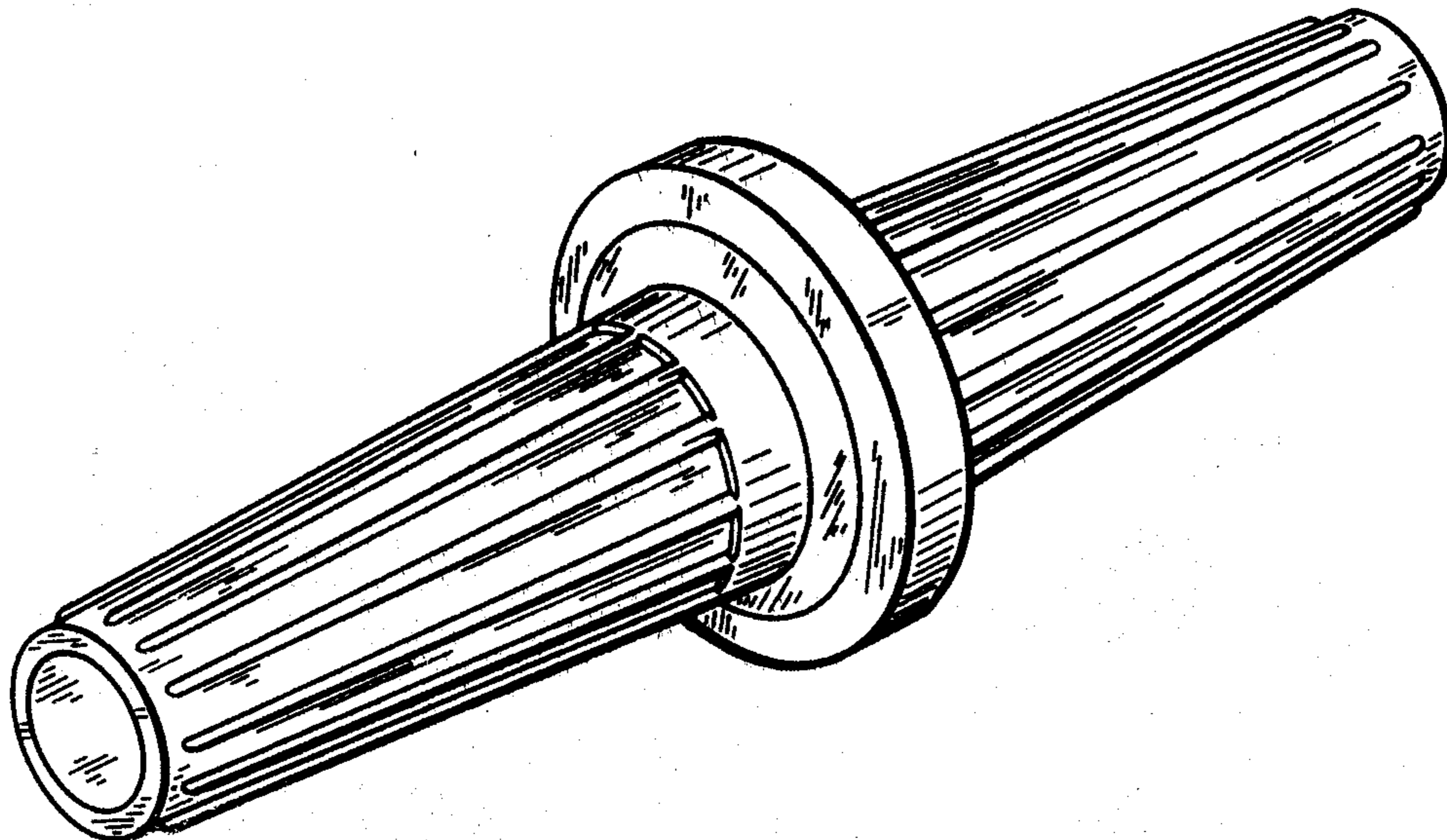
Primary Examiner—Charles A. Rademaker  
Attorney, Agent, or Firm—Henry C. Kovar

[57] CLAIM

The ornamental design for a manual exerciser, substantially as shown and described.

DESCRIPTION

FIG. 1 is a perspective view of a manual exerciser showing my new design;  
FIG. 2 is a side elevational view thereof, the side opposite being substantially identical; and,  
FIG. 3 is an end elevational view thereof, the end opposite being substantially identical.



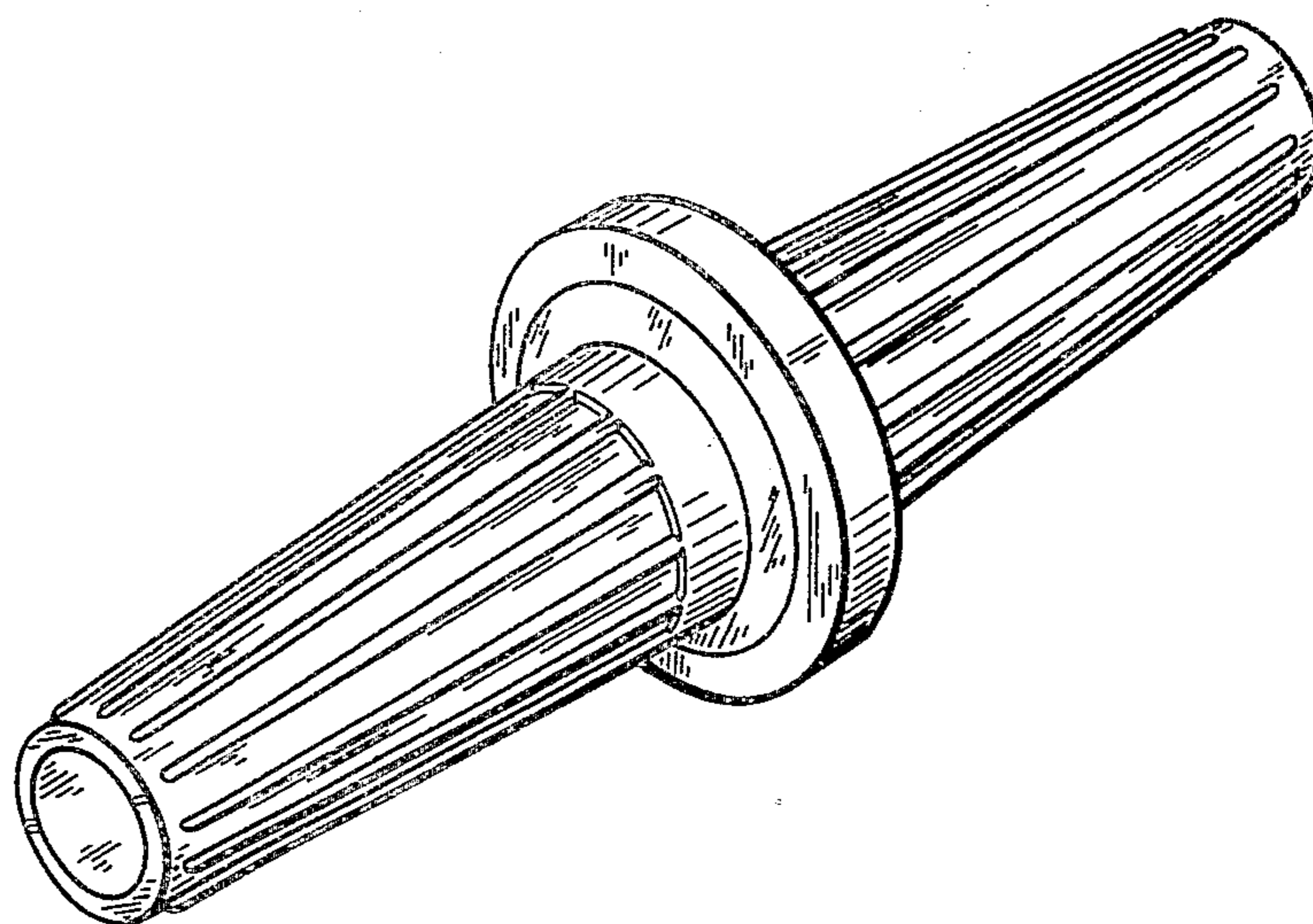


FIG. 1

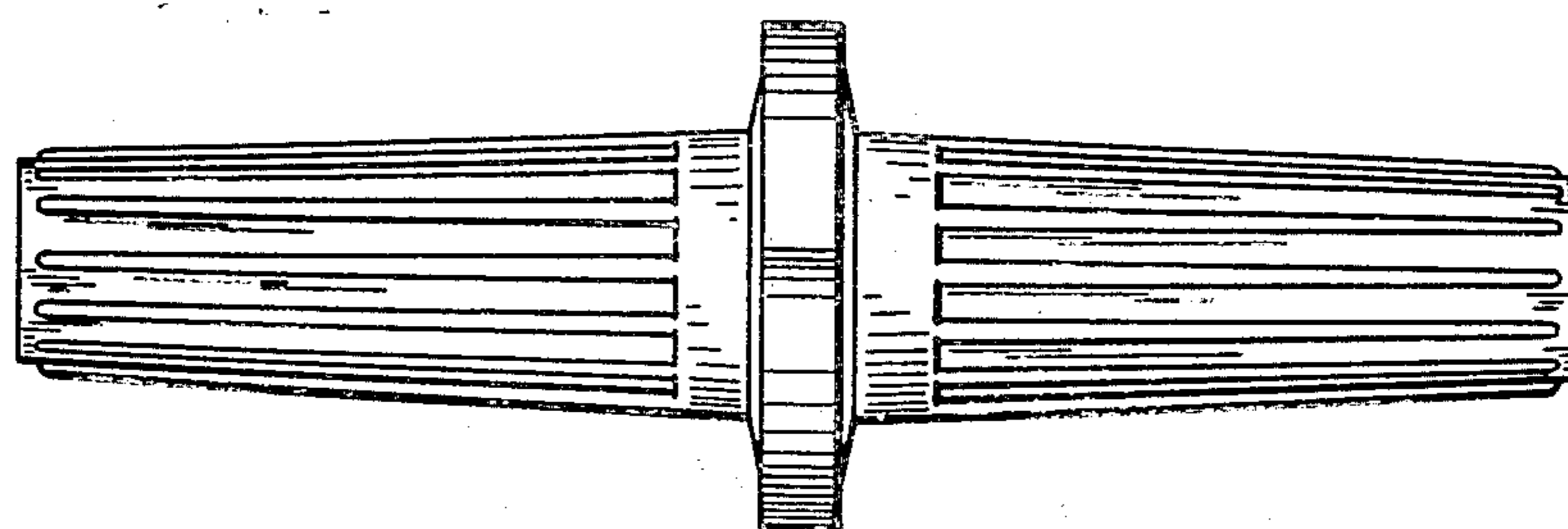


FIG. 2

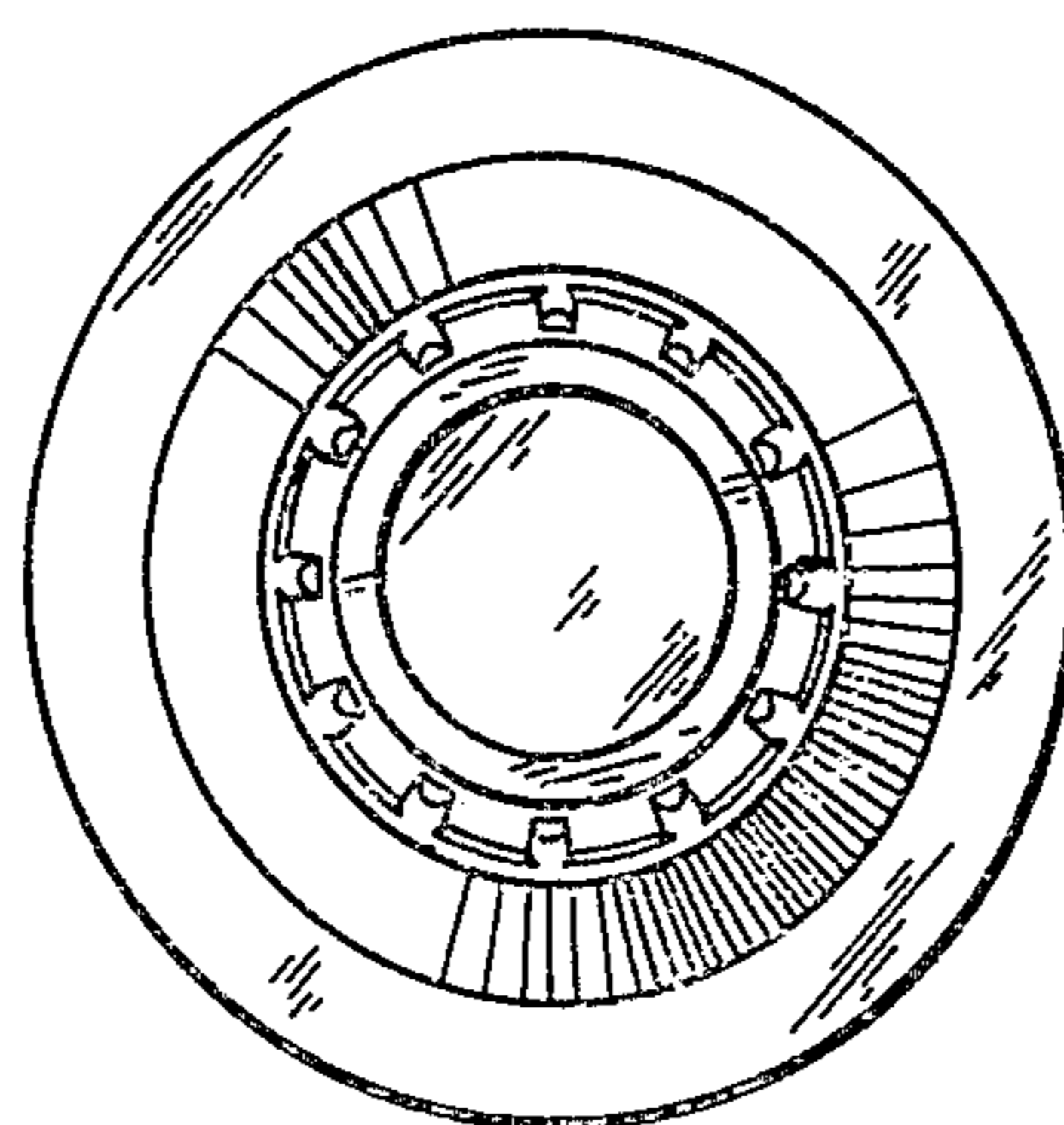


FIG. 3