

- [54] DRAWING IMPLEMENT HOLDER FOR MOUNTING ON A DRAWING TABLE
- [76] Inventor: Tim Basaldua, Jr., 1911 W. Wabansia Ave., Chicago, Ill. 60622
- [**] Term: 14 Years
- [21] Appl. No.: 277,916
- [22] Filed: Jun. 26, 1981
- [52] U.S. Cl. D19/75; D19/90
- [58] Field of Search D19/35, 36, 75, 77-85, D19/90; D6/140, 114, 88; 211/69, 69.1, 60.12, 60.6, 87-88; D7/74

Attorney, Agent, or Firm—Burmeister, York, Palmatier, Hamby & Jones

[57] CLAIM

The ornamental design for a drawing implement holder for mounting on a drawing table, as shown and described.

DESCRIPTION

FIG. 1 is a perspective view of drawing implement holder for mounting on a drawing board showing my new design;

FIG. 2 is a right side elevational view thereof, the opposite side being a mirror image thereof, the dotted line structure being for illustrative purposes only and not a part of the design;

FIG. 3 is a bottom plan view thereof;

FIG. 4 is a bottom plan view thereof, an intermediate portion being broken away for convenience of illustration;

FIG. 5 is a front elevational view thereof; and

FIG. 6 is a rear elevational view thereof.

- [56] References Cited
- U.S. PATENT DOCUMENTS
- D. 115,728 7/1939 Bardaville D6/114
- D. 156,592 12/1949 Zovod et al. D6/86
- D. 165,645 1/1952 Fretz, Jr. D19/77
- D. 213,737 4/1969 Kohles D19/90

Primary Examiner—George P. Word

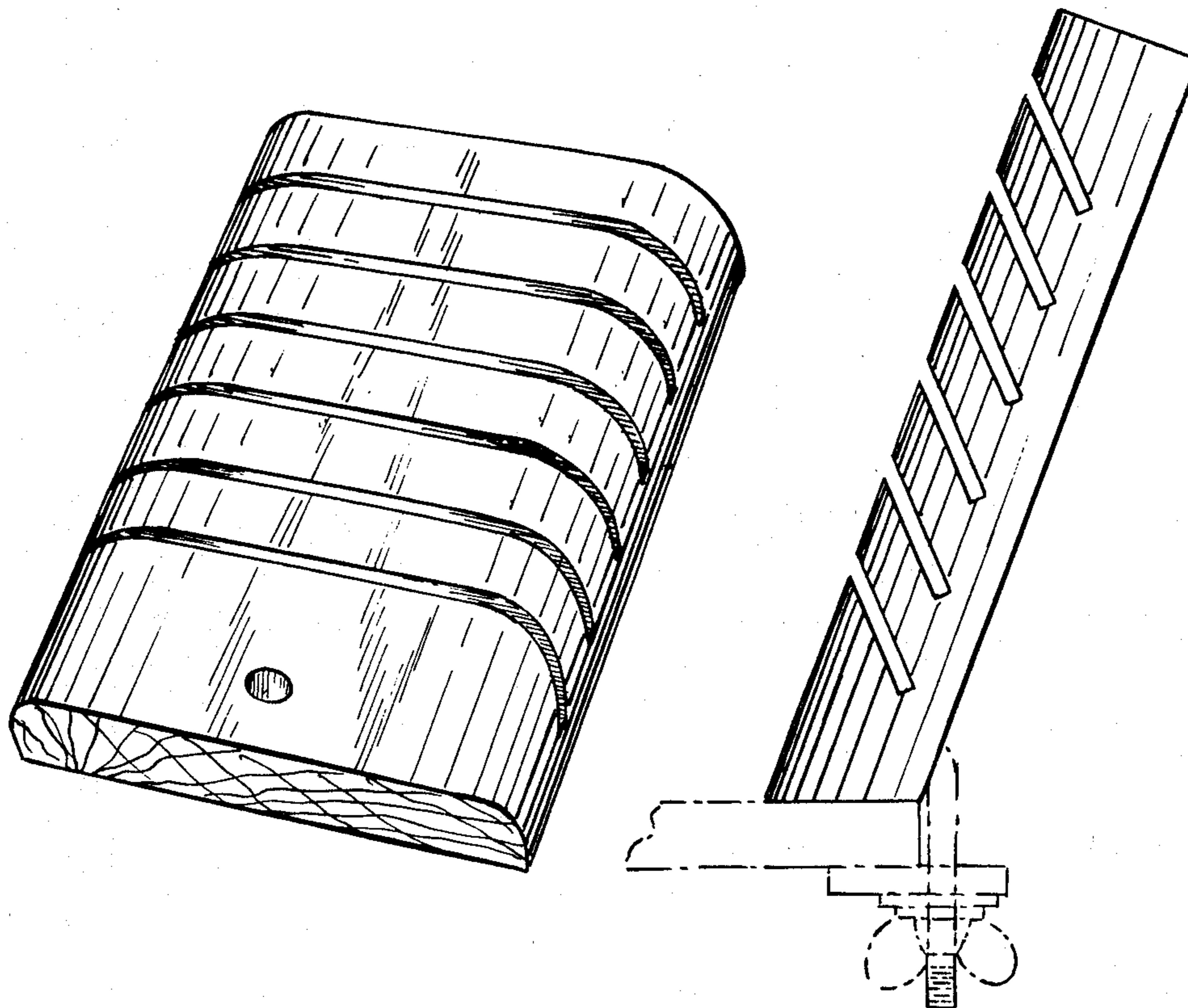


FIG. 1

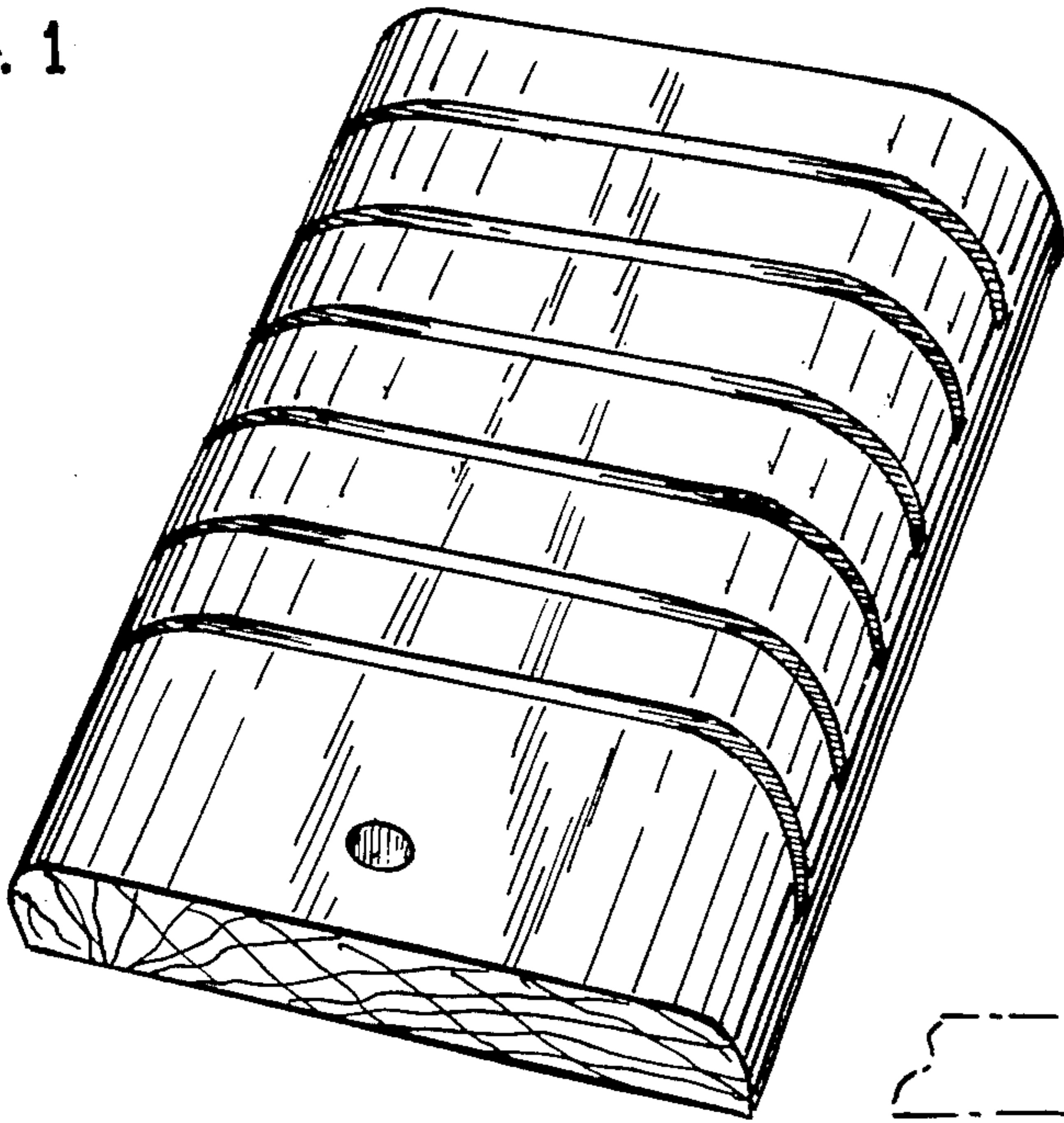


FIG. 2

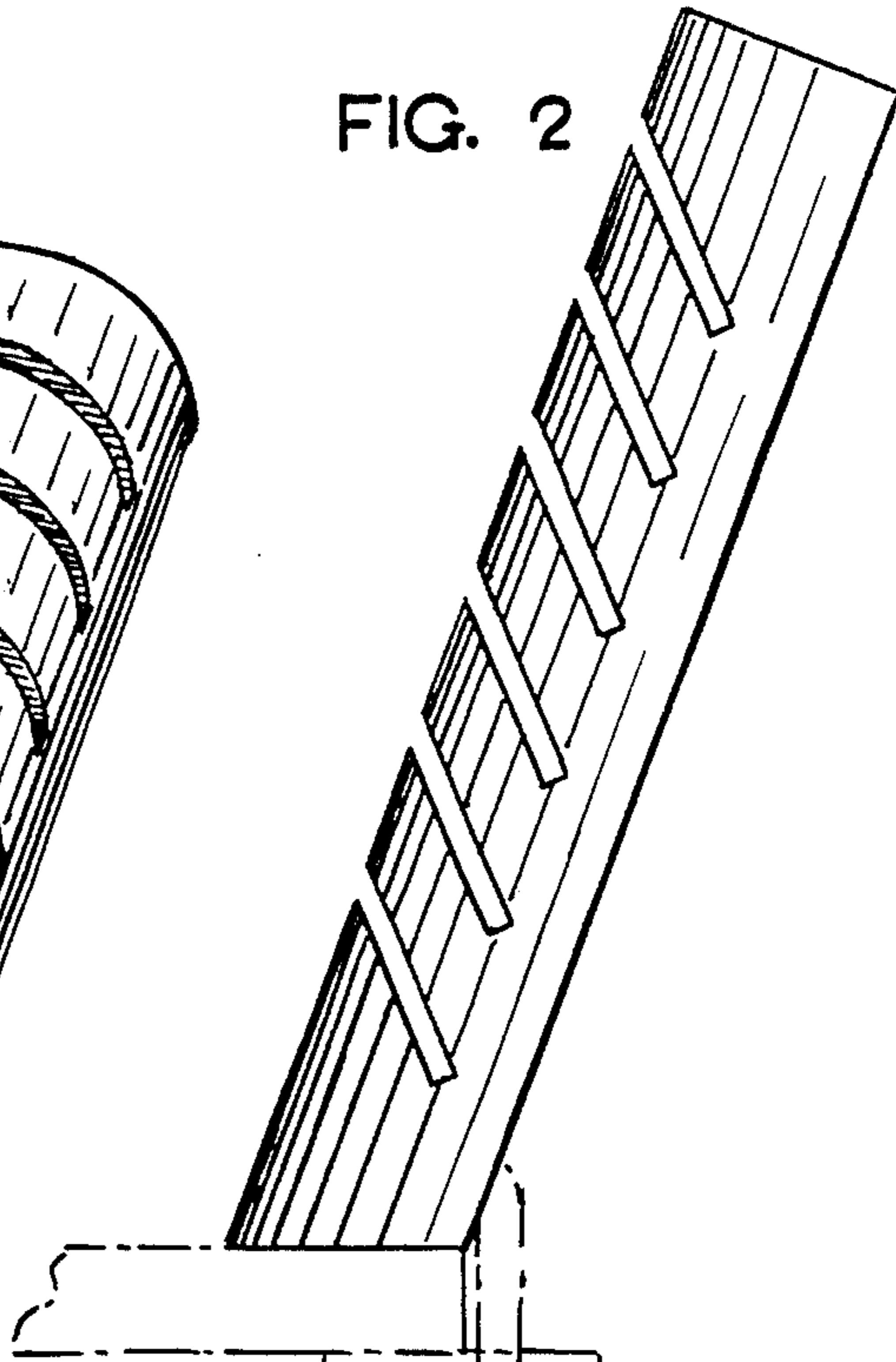


FIG. 3



FIG. 4

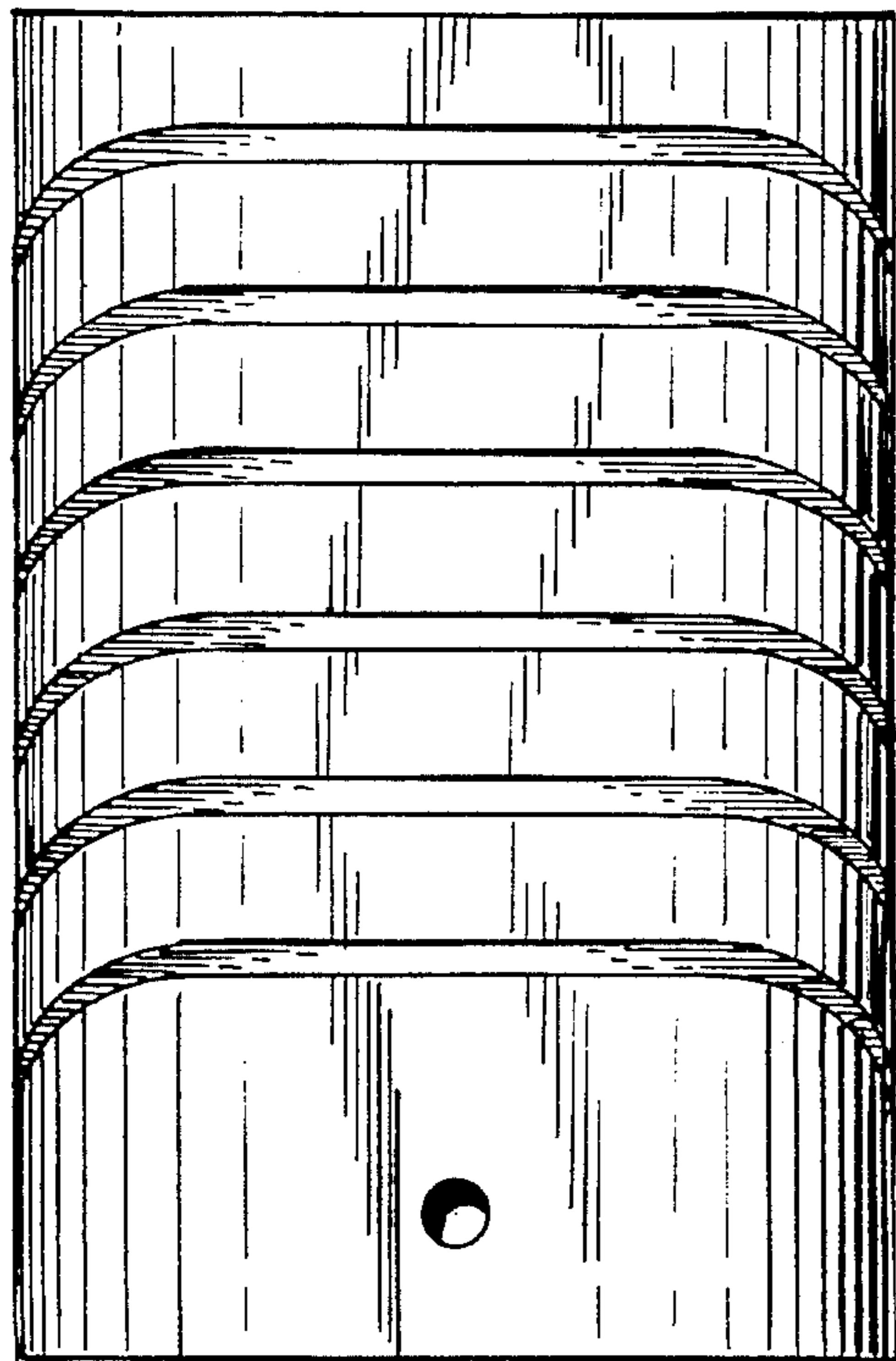


FIG. 5

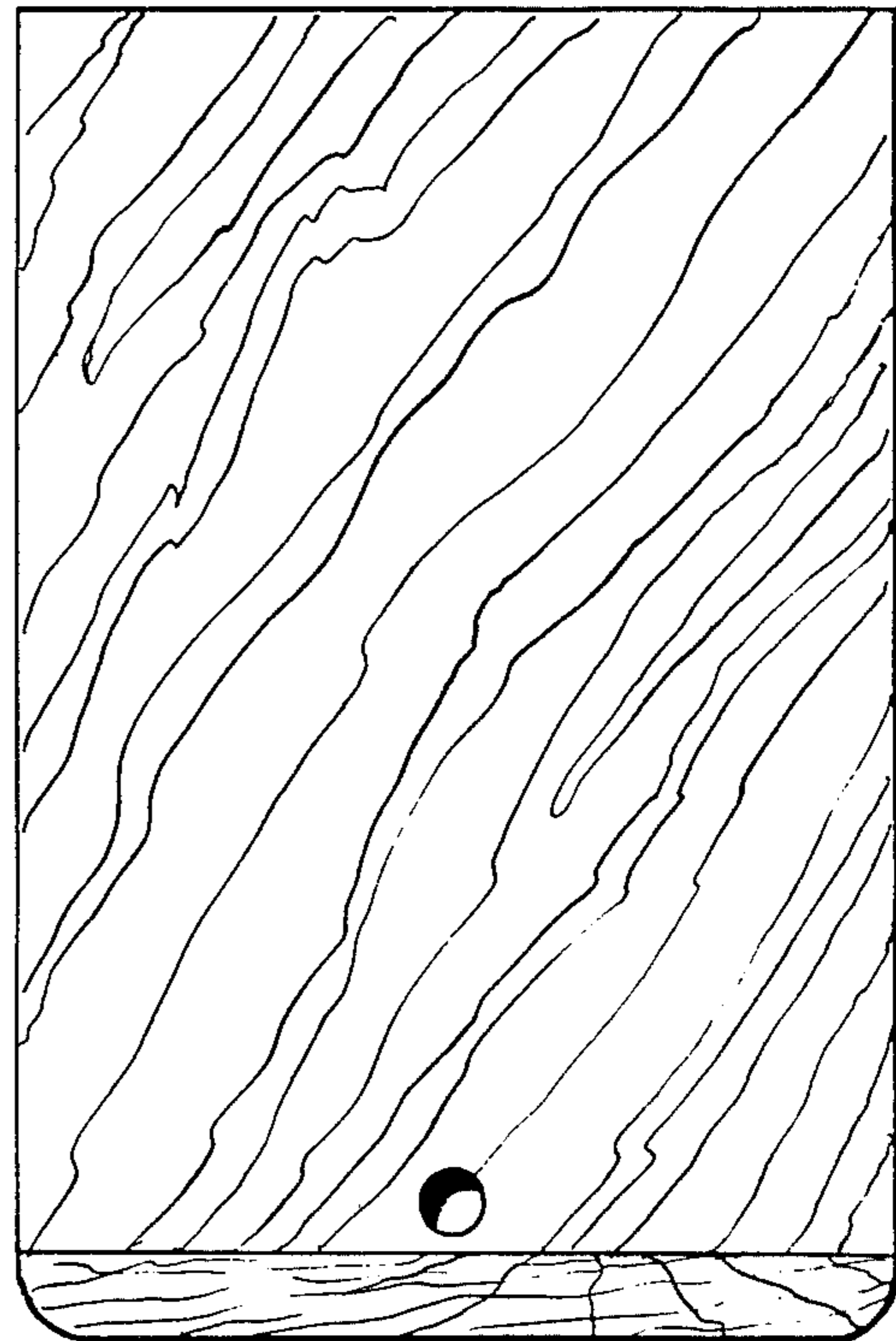


FIG. 6