

[54] VISION RESTRICTOR FOR ATHLETIC TRAINING

[76] Inventors: James V. Trice, Jr., 15821 Barnesville Rd., Boyds, Md. 20841; C. Verne Muffoletto, 9411 Flagstone Dr., Baltimore, Md. 21234

[**] Term: 14 Years

[21] Appl. No.: 379,167

[22] Filed: May 17, 1982

[52] U.S. Cl. D19/59; D2/234; D2/241; D2/253; D21/199

[58] Field of Search D2/230, 234, 239, 241, D2/253; 2/12, 15; D19/59; D21/199, 234; 273/1.5 A, 29 A, 26 C, 54 B, 190 R, 190 A

[56] References Cited

U.S. PATENT DOCUMENTS

- D. 232,097 7/1974 Kirchner D19/59
- 2,663,021 12/1953 Douglass 273/190 A
- 2,866,202 12/1958 Landis 2/12
- 3,333,586 8/1967 Bellis et al. 2/12 X

- 3,613,116 10/1971 Stroup 273/1.5 A X
- 4,393,519 7/1983 Nicastro 2/12

FOREIGN PATENT DOCUMENTS

- 160103 12/1954 Australia 2/12

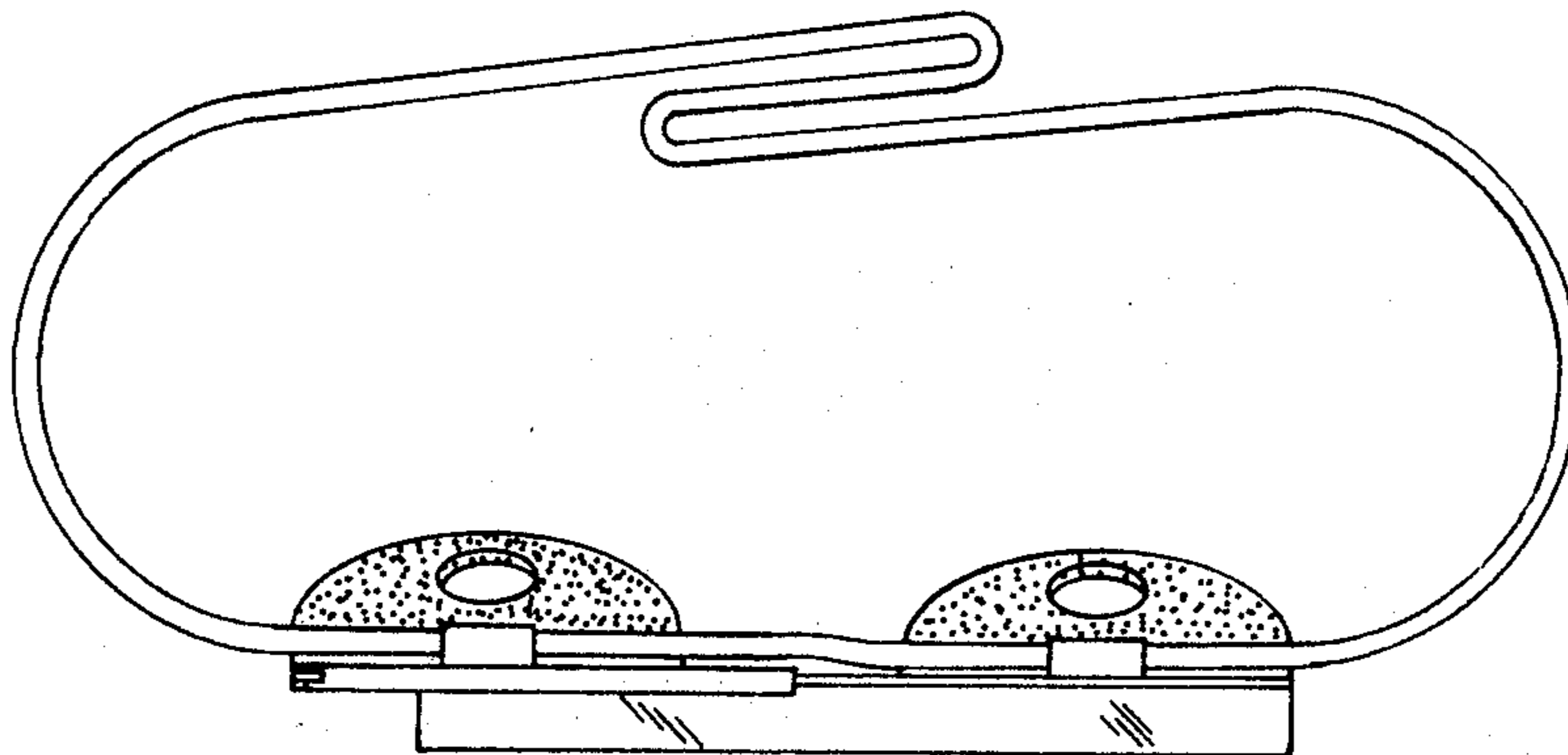
Primary Examiner—Bernard Ansher
Assistant Examiner—Carmen H. Vales
Attorney, Agent, or Firm—John F. McClellan, Sr.

[57] CLAIM

The ornamental design of a vision restrictor for athletic training, as shown and described.

DESCRIPTION

FIG. 1 is a top plan view of a vision restrictor for athletic training showing our new design; FIG. 2 is a front elevational view thereof; FIG. 3 is a bottom plan view; FIG. 4 is a left side elevational view thereof; FIG. 5 is a right side elevational view with a portion of the strap removed for convenience of illustration; and FIG. 6 is a rear elevational view with a portion of the strap removed for convenience of illustration.



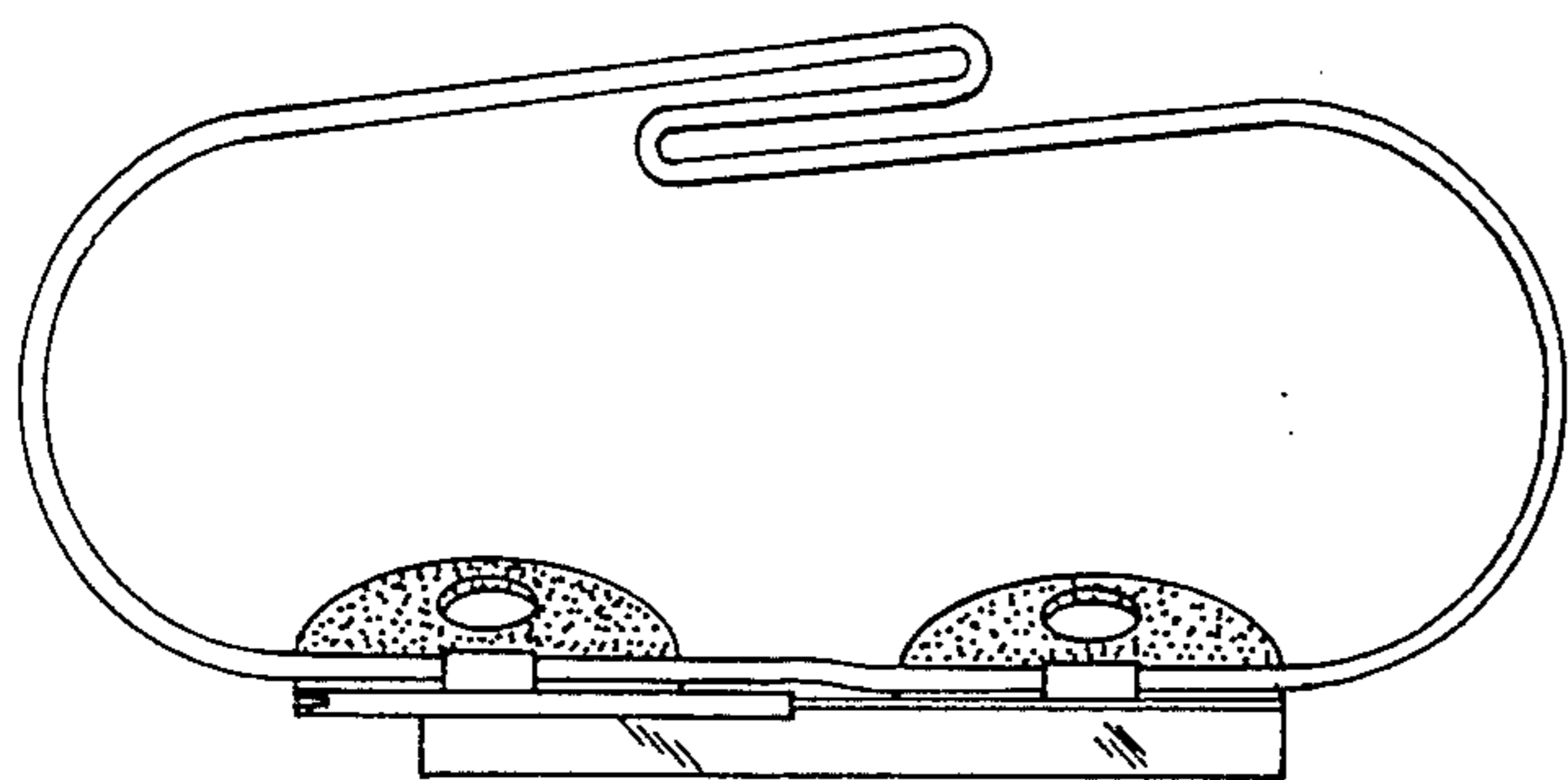


FIG. 1

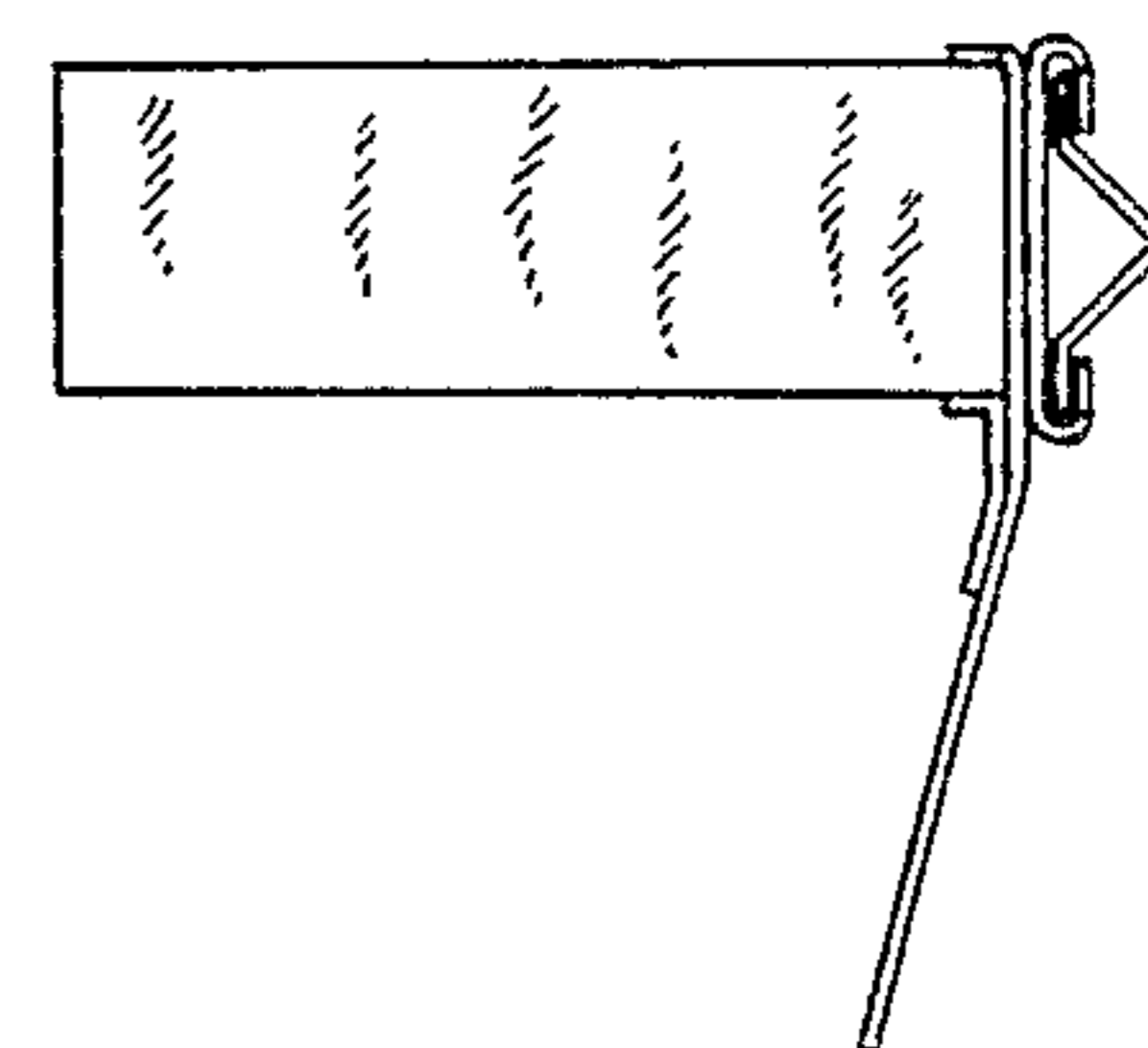


FIG. 4

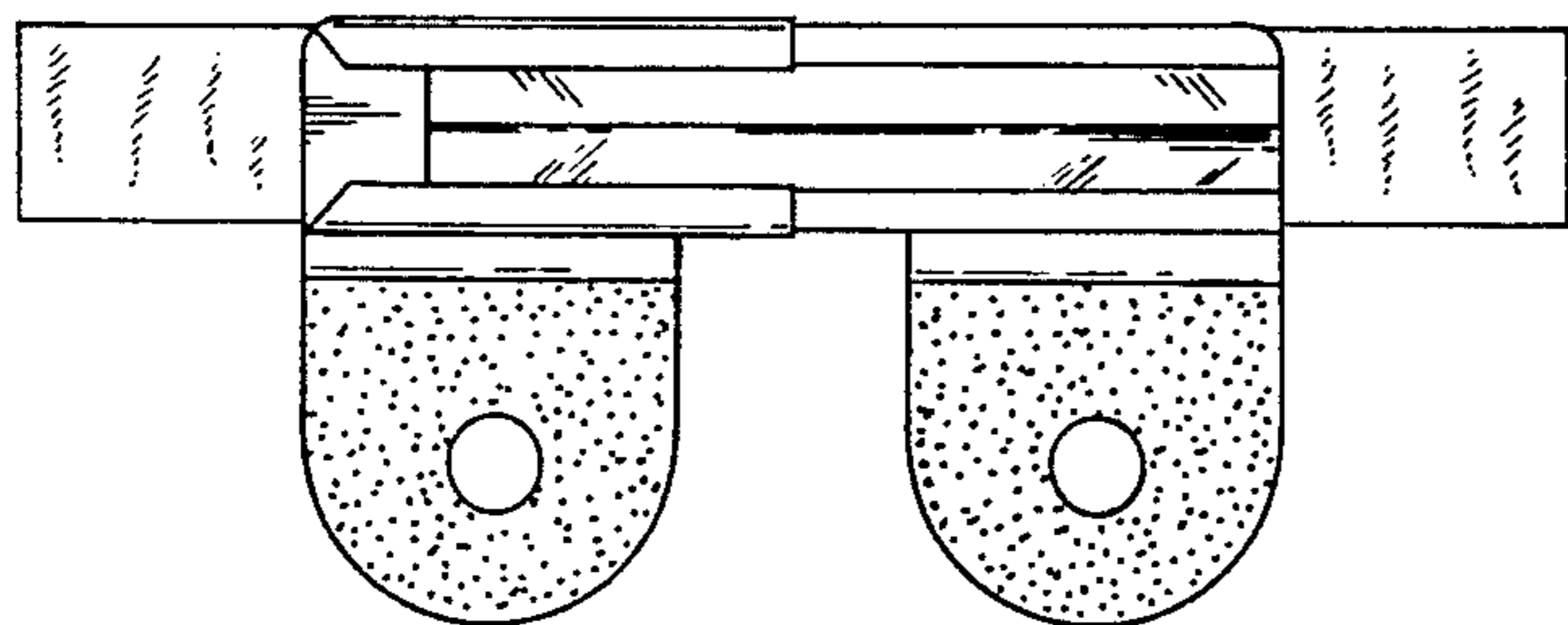


FIG. 2

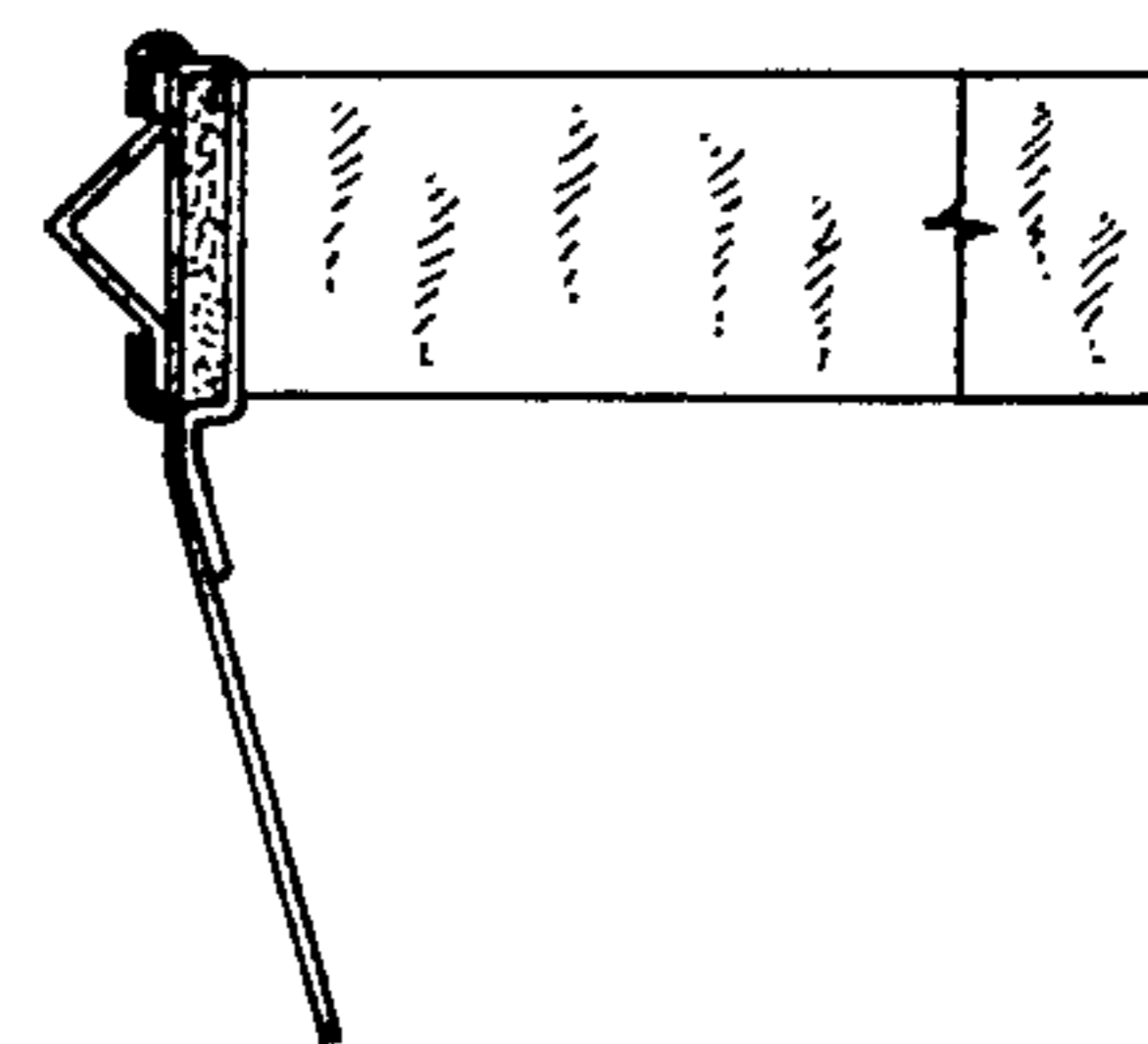


FIG. 5

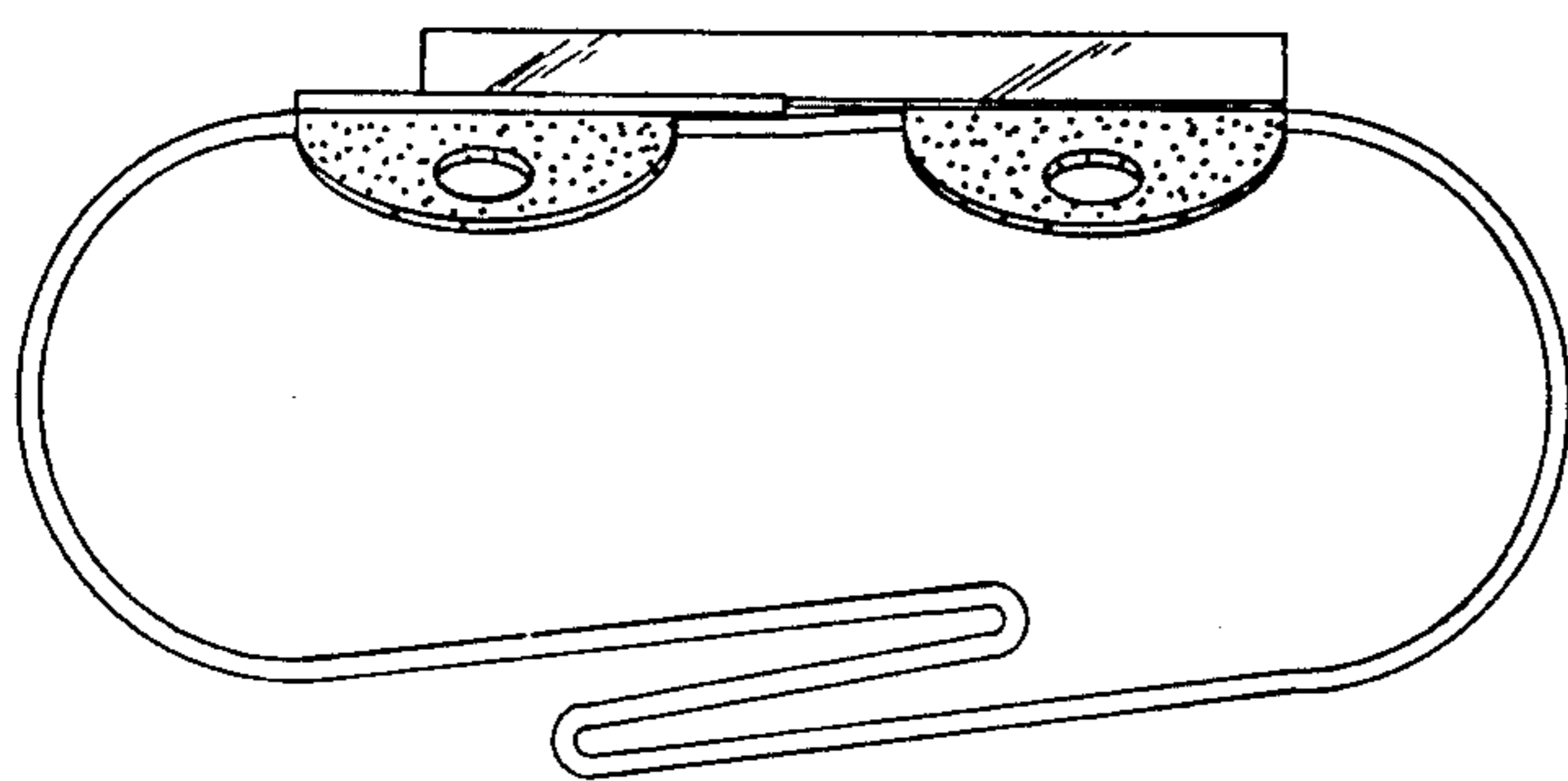


FIG. 3

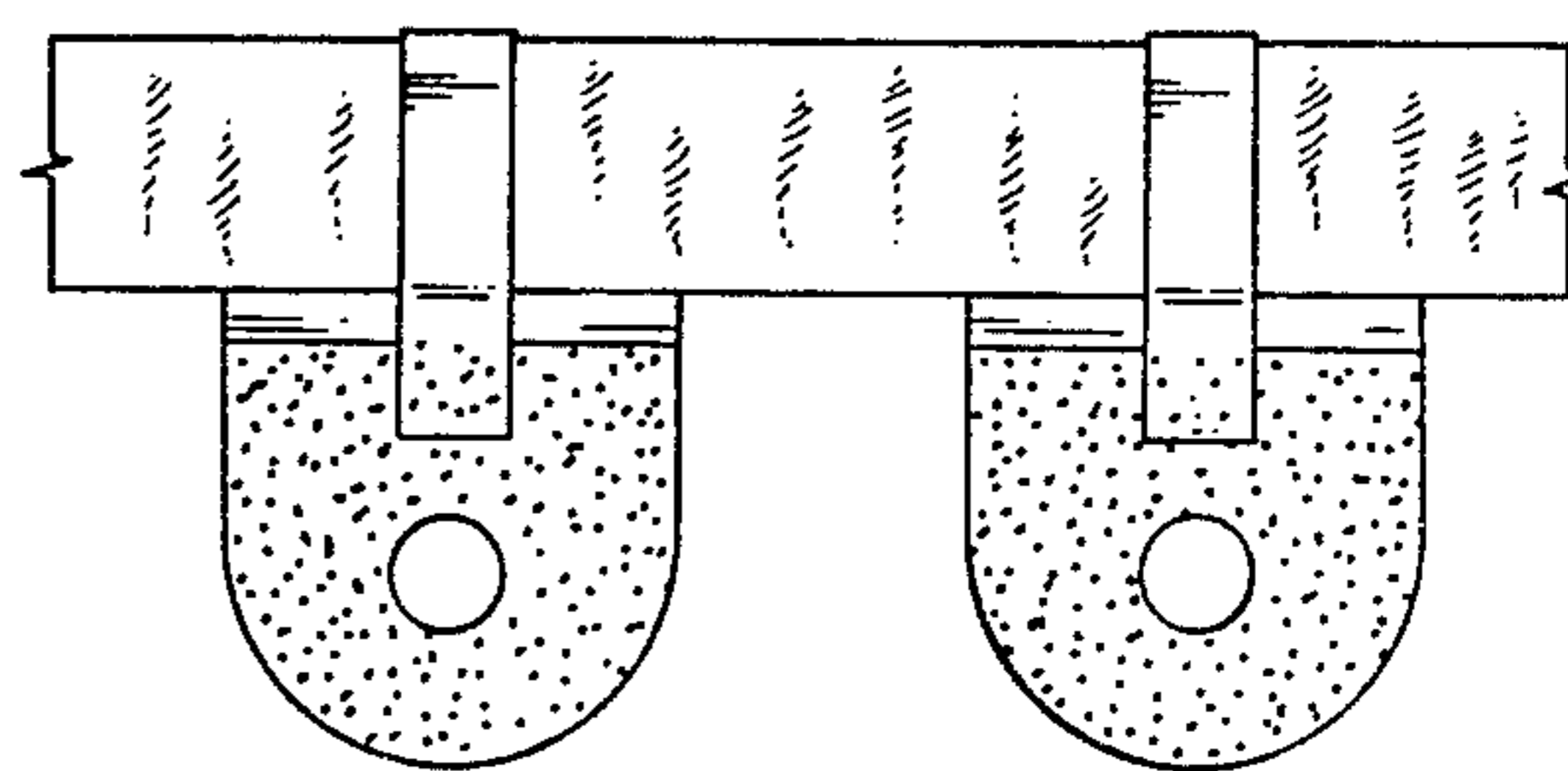


FIG. 6