

[54] WEAPON SIGHT

[75] Inventors: O'Dell M. Keil, Tempe; Eugene J. Kozell, Mesa, both of Ariz.

[73] Assignee: Litton Systems, Inc., Beverly Hills, Calif.

[\*\*] Term: 14 Years

[21] Appl. No.: 203,773

[22] Filed: Nov. 3, 1980

[52] U.S. Cl. .... D16/133

[58] Field of Search ..... D22/1, 7; D16/133, 134, D16/132, 136, 130; 33/245, 246, 247, 298, 299

[56] References Cited

U.S. PATENT DOCUMENTS

- D. 225,569 12/1972 Aurora et al. .... D16/132
- D. 233,169 10/1974 Thompson et al. .... D16/132

- D. 235,918 7/1975 Huckenbeck ..... D16/132
- D. 239,658 4/1976 Huckenbeck ..... D16/132
- 2,189,766 2/1940 Unertl ..... 33/298
- 3,023,503 3/1962 Baker ..... 33/299
- 3,492,733 2/1970 Leatherwood ..... 33/245

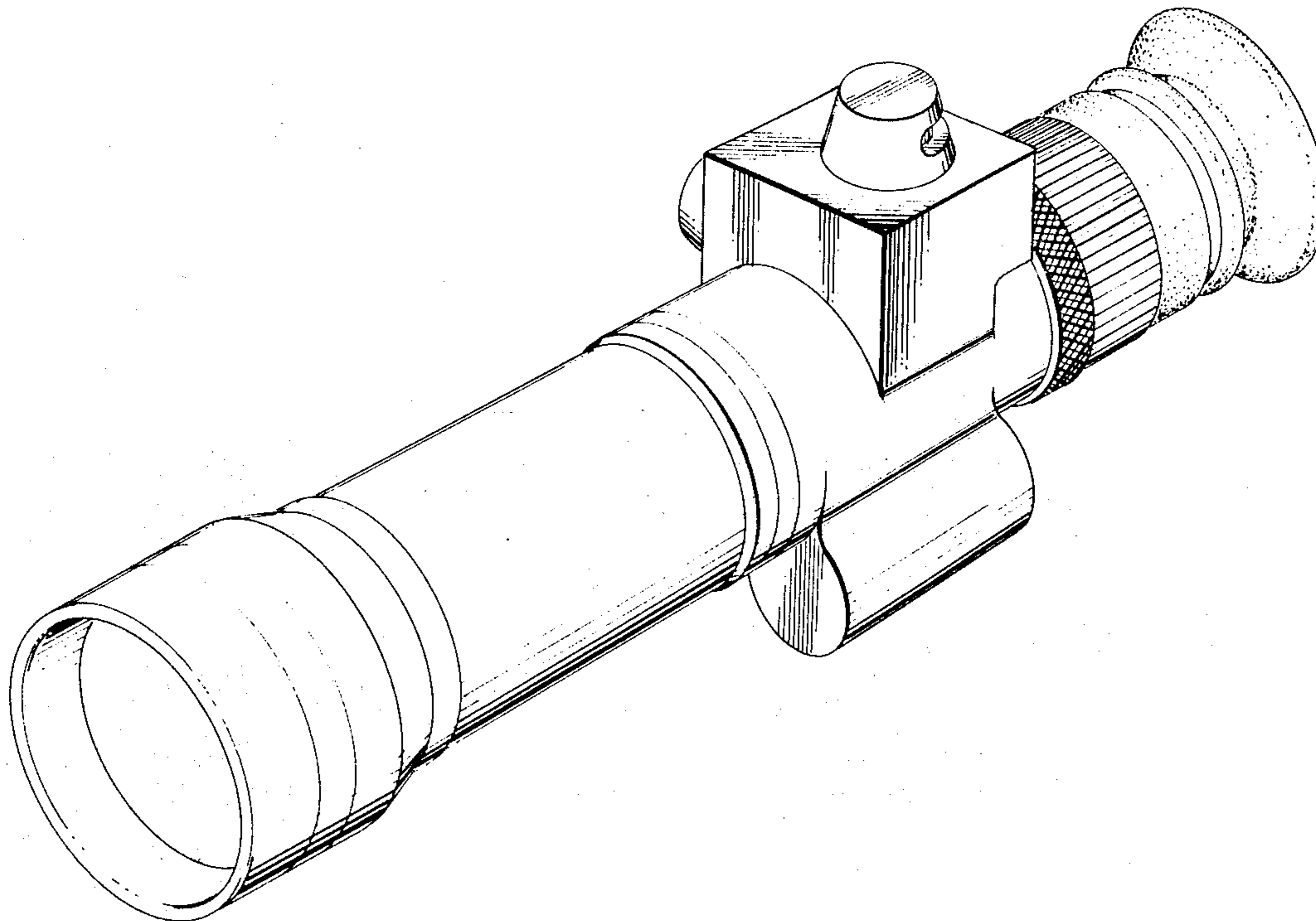
Primary Examiner—Bernard Ansher  
Attorney, Agent, or Firm—D. J. Ellingsberg; G. L. Cline

[57] CLAIM

The ornamental design for a weapon sight, as shown and described.

DESCRIPTION

FIG. 1 is a front perspective view of a weapon sight, showing my new design;  
 FIG. 2 is an elevation view of the right side thereof;  
 FIG. 3 is a bottom plan view thereof; and  
 FIG. 4 is an end view thereof when FIG. 1 is viewed from the weapon sight end at the right therein.



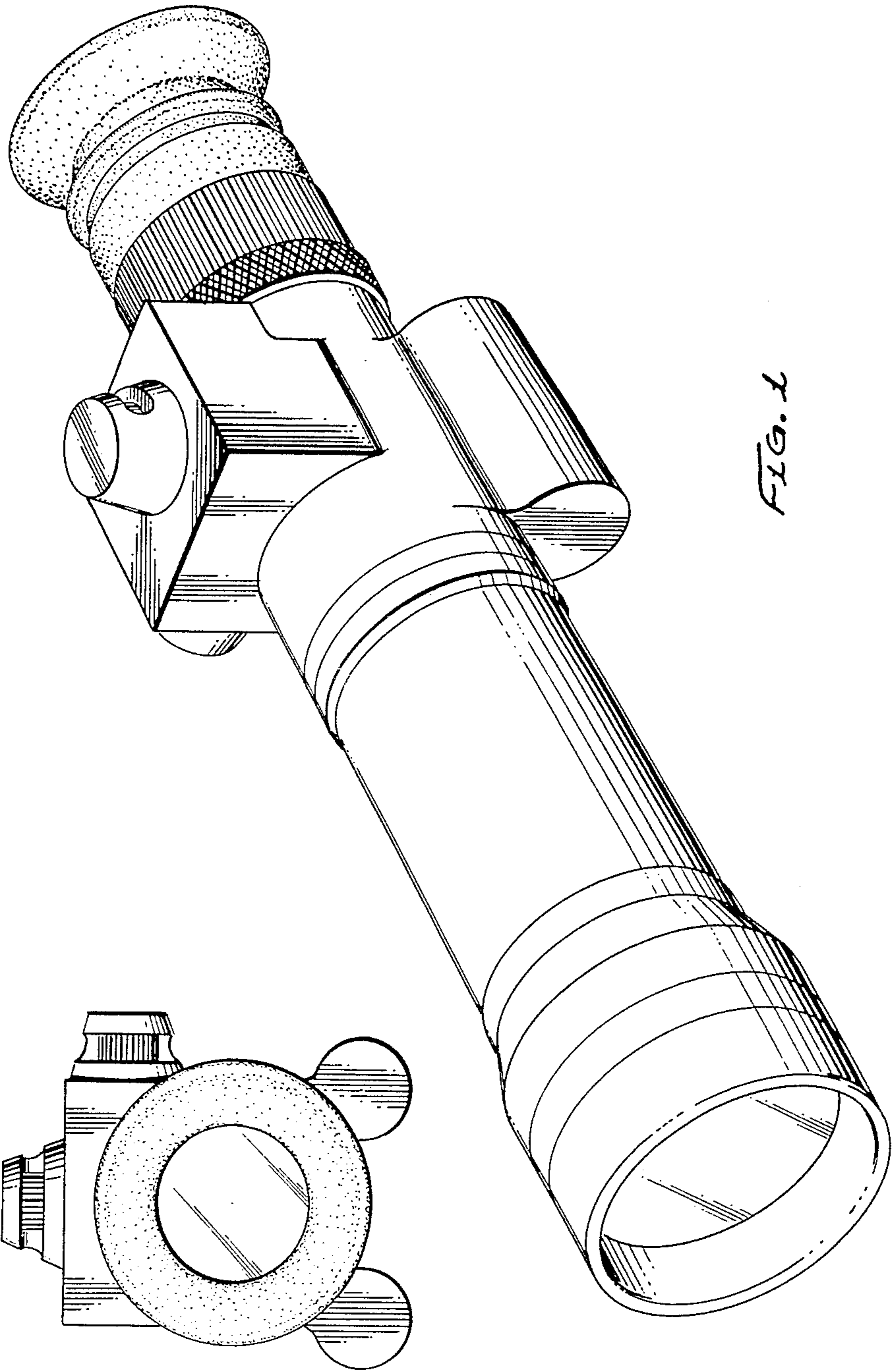


FIG. 1

FIG. 2

FIG. 2

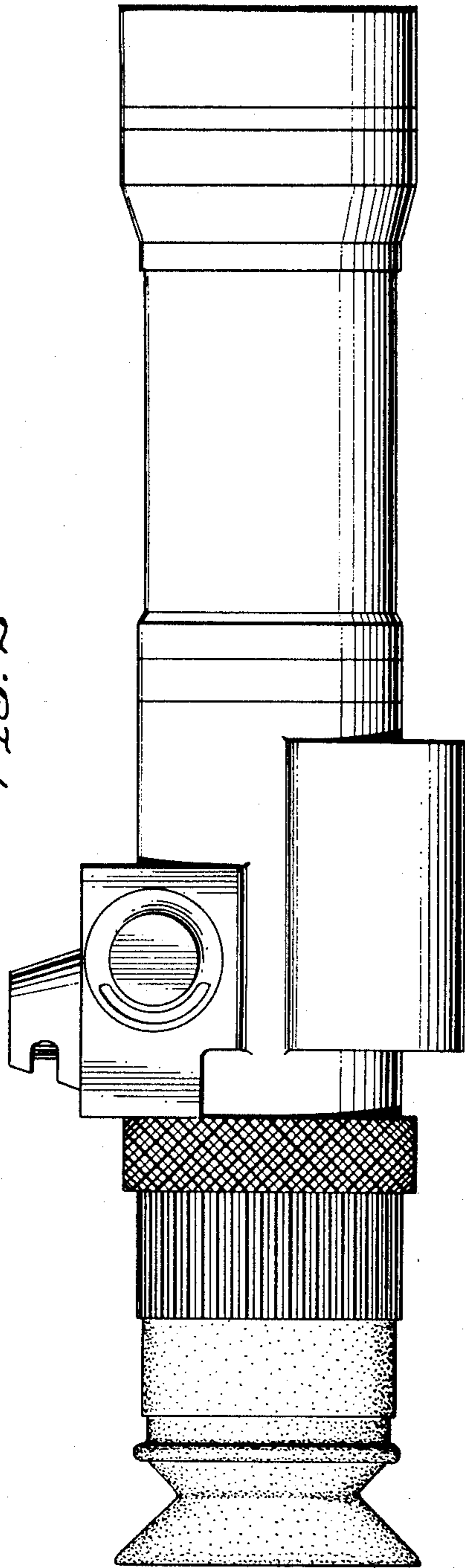


FIG. 3

