

[54] CHAIN LINK FOR FINGER JOINT MACHINE OR SIMILAR APPARATUS

[76] Inventor: Charles S. Bonfield, P.O. Box 1208, Medford, Oreg. 97501

[\*\*] Term: 14 Years

[21] Appl. No.: 390,230

[22] Filed: Jun. 21, 1982

[52] U.S. Cl. .... D15/138

[58] Field of Search ..... 144/72, 90 R, 90 A; D15/138

[56] References Cited

U.S. PATENT DOCUMENTS

518,646	4/1894	Hall et al. ....	144/72
2,238,341	4/1941	Reinhardt ....	144/72
4,068,688	1/1978	Benson ....	144/90 A

Primary Examiner—Wallace R. Burke  
Assistant Examiner—Suzanne N. Gitlin  
Attorney, Agent, or Firm—Kanz, Scherback & Timmons

[57] CLAIM

The ornamental design for a chain link for finger joint machine or similar article, substantially as shown.

DESCRIPTION

FIG. 1 is a perspective view of a chain link for finger joint machine or similar apparatus showing my new design;

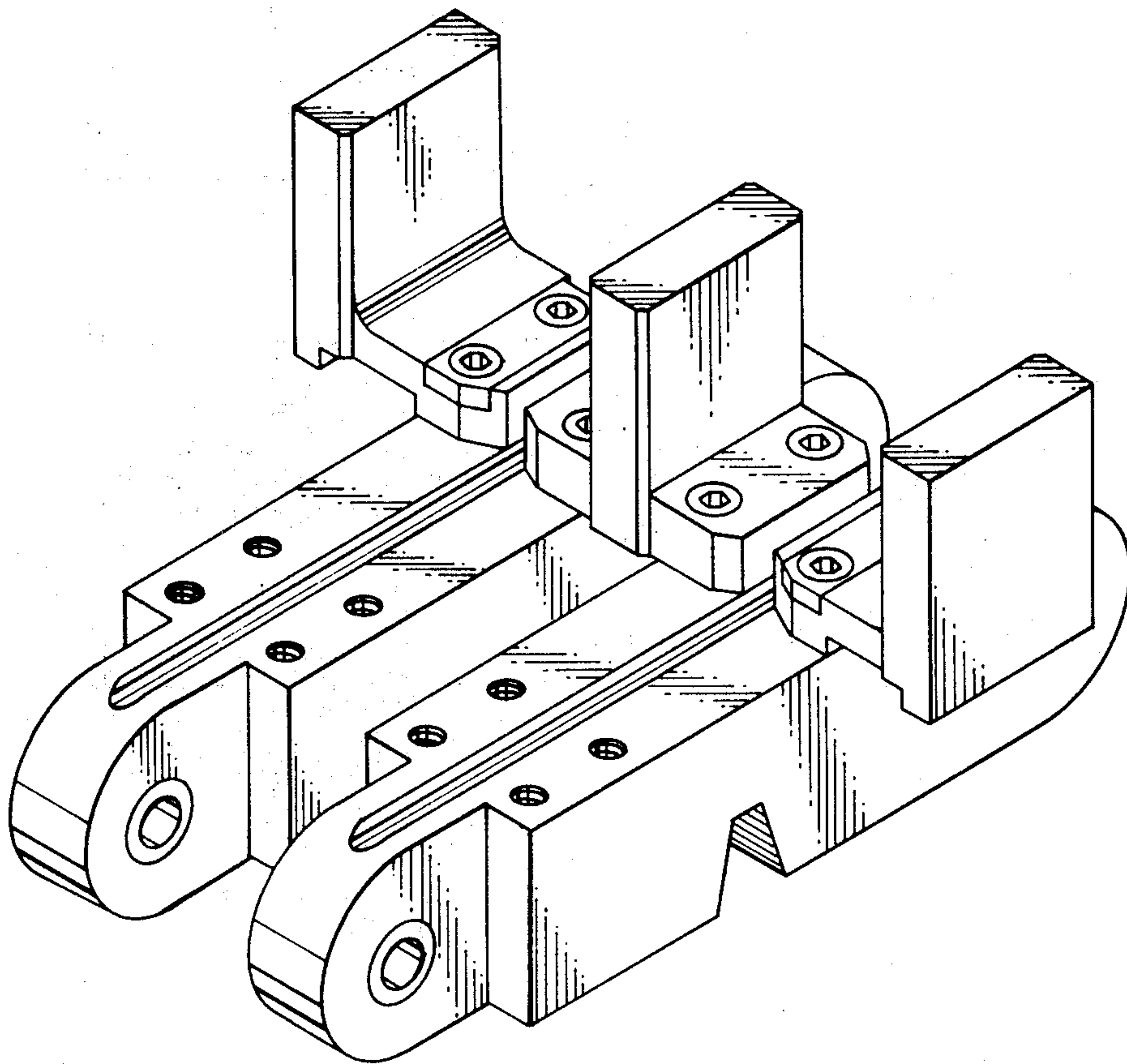
FIG. 2 is a bottom plan view thereof;

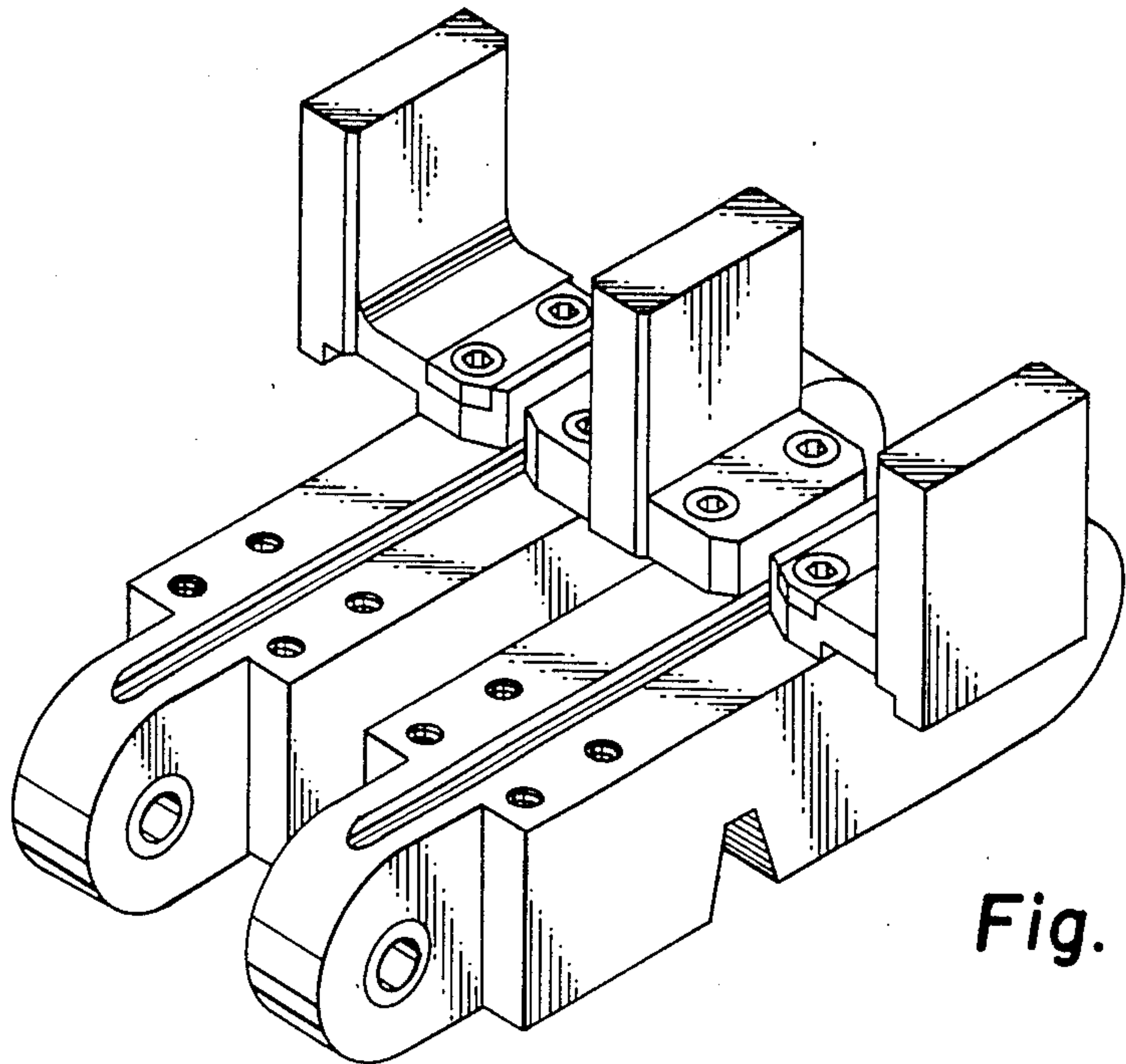
FIG. 3 is a top plan view thereof;

FIG. 4 is a side elevational view thereof, the opposite side being a mirror image of FIG. 4;

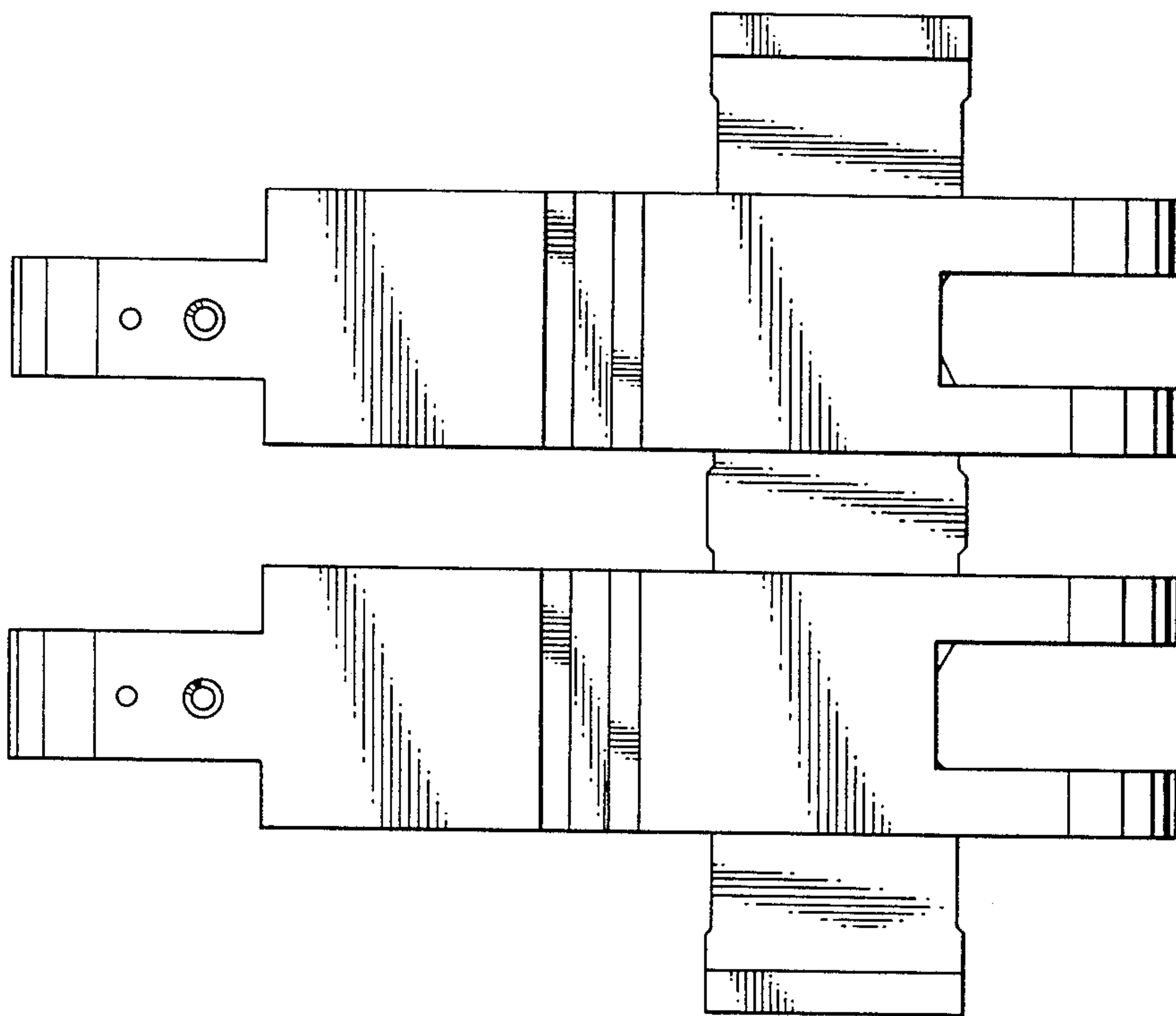
FIG. 5 is an end elevational view thereof as viewed from the right of FIG. 1; and

FIG. 6 is an end elevational view thereof as viewed from the left of FIG. 1.

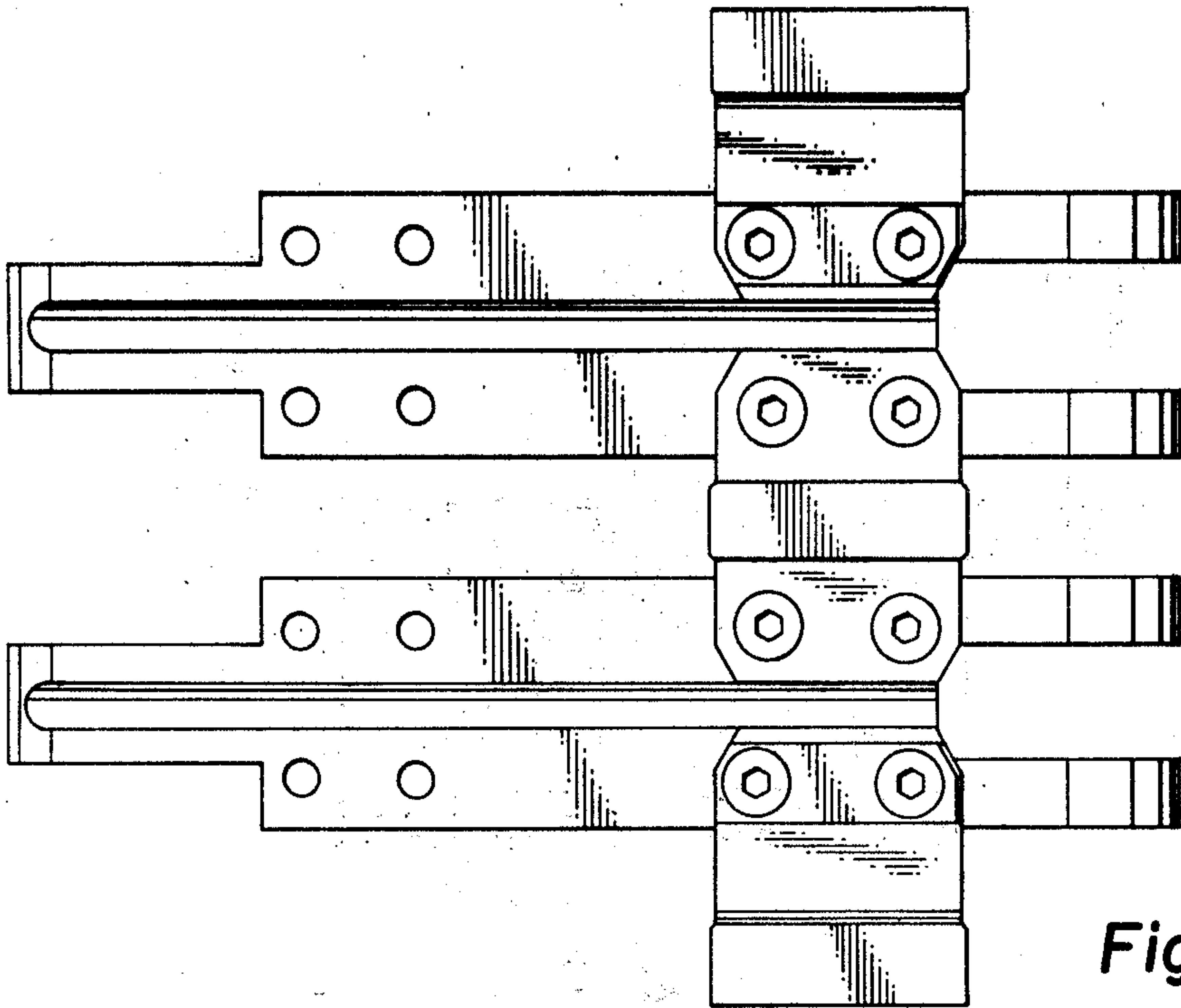




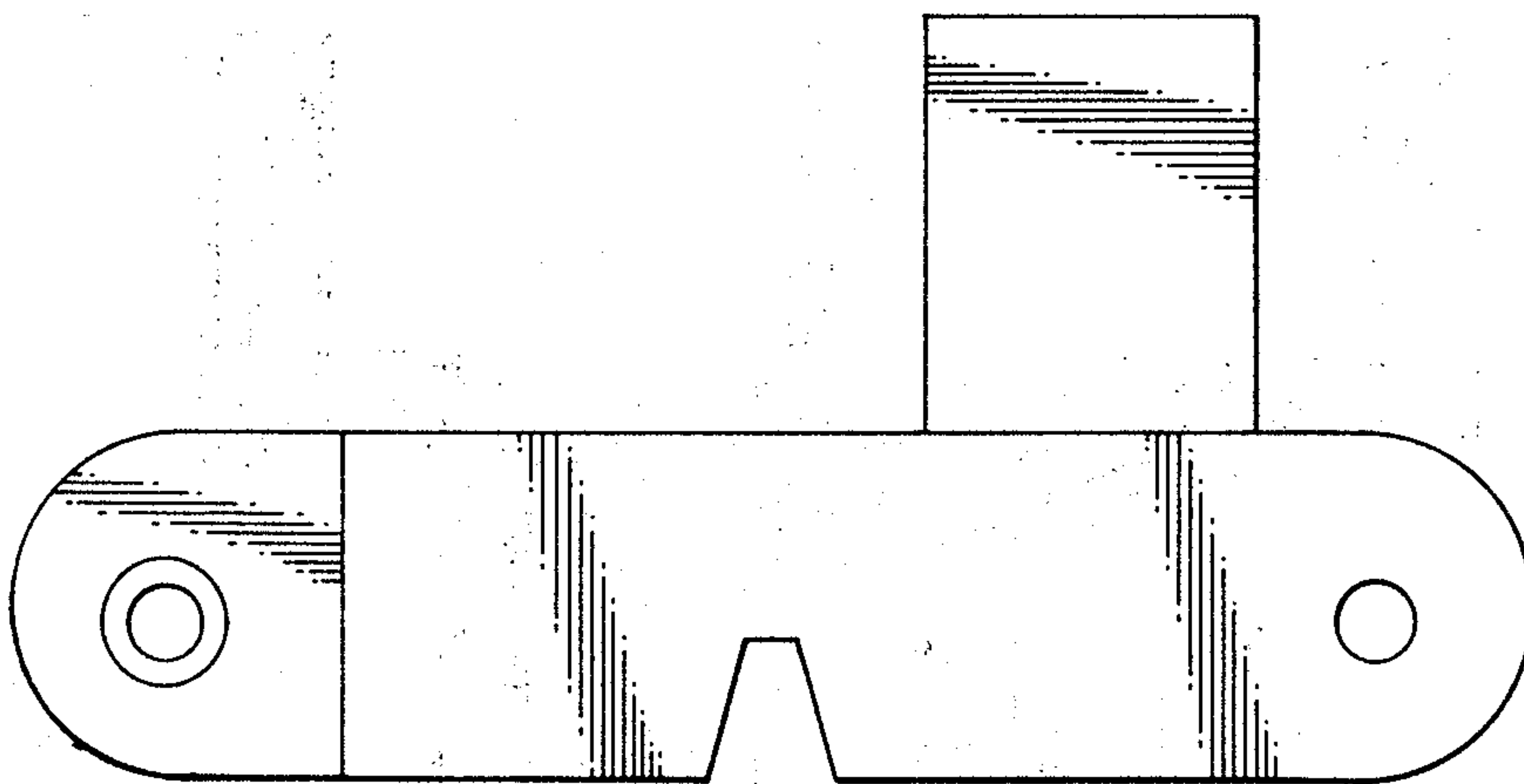
*Fig. 1*



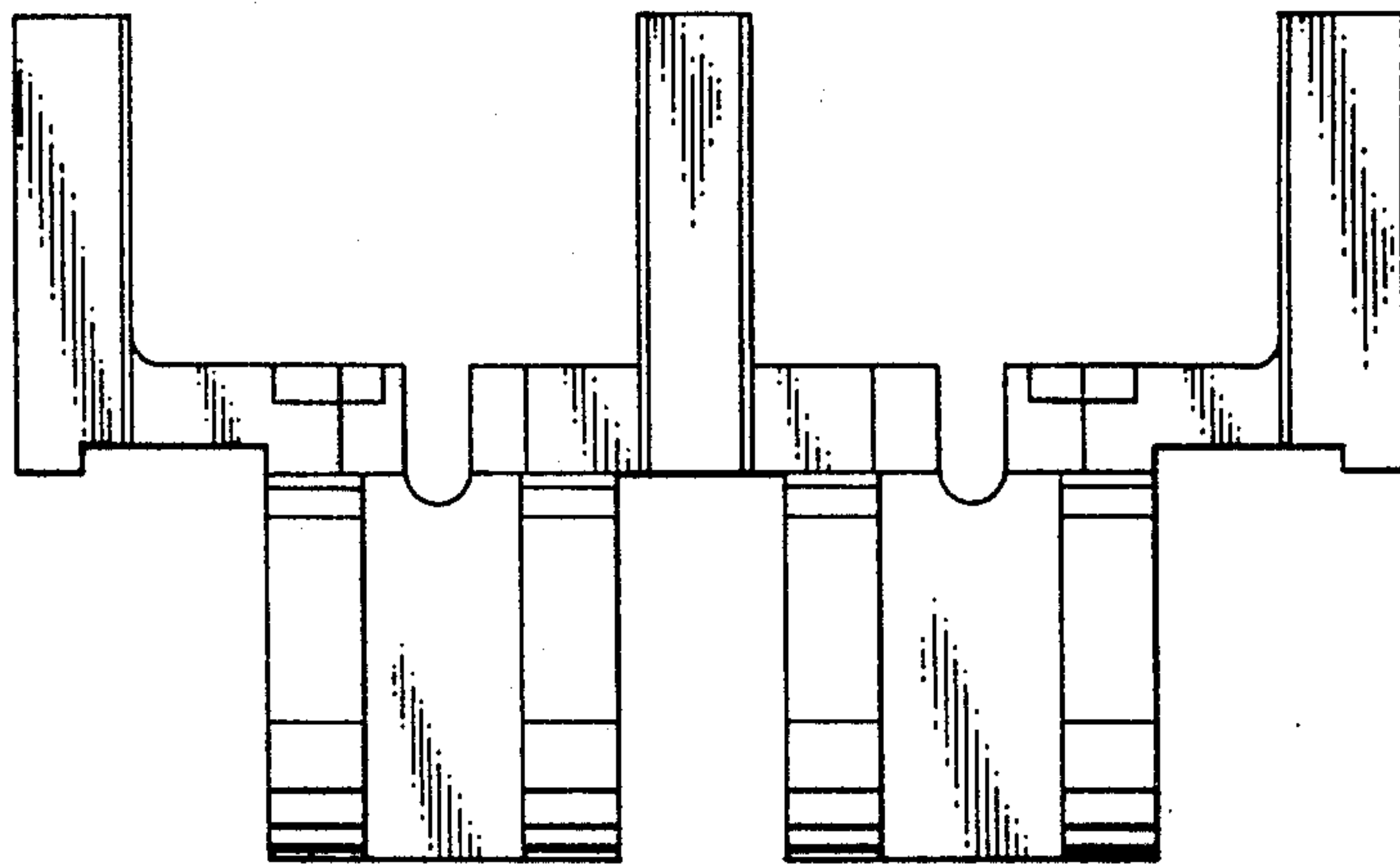
*Fig. 2*



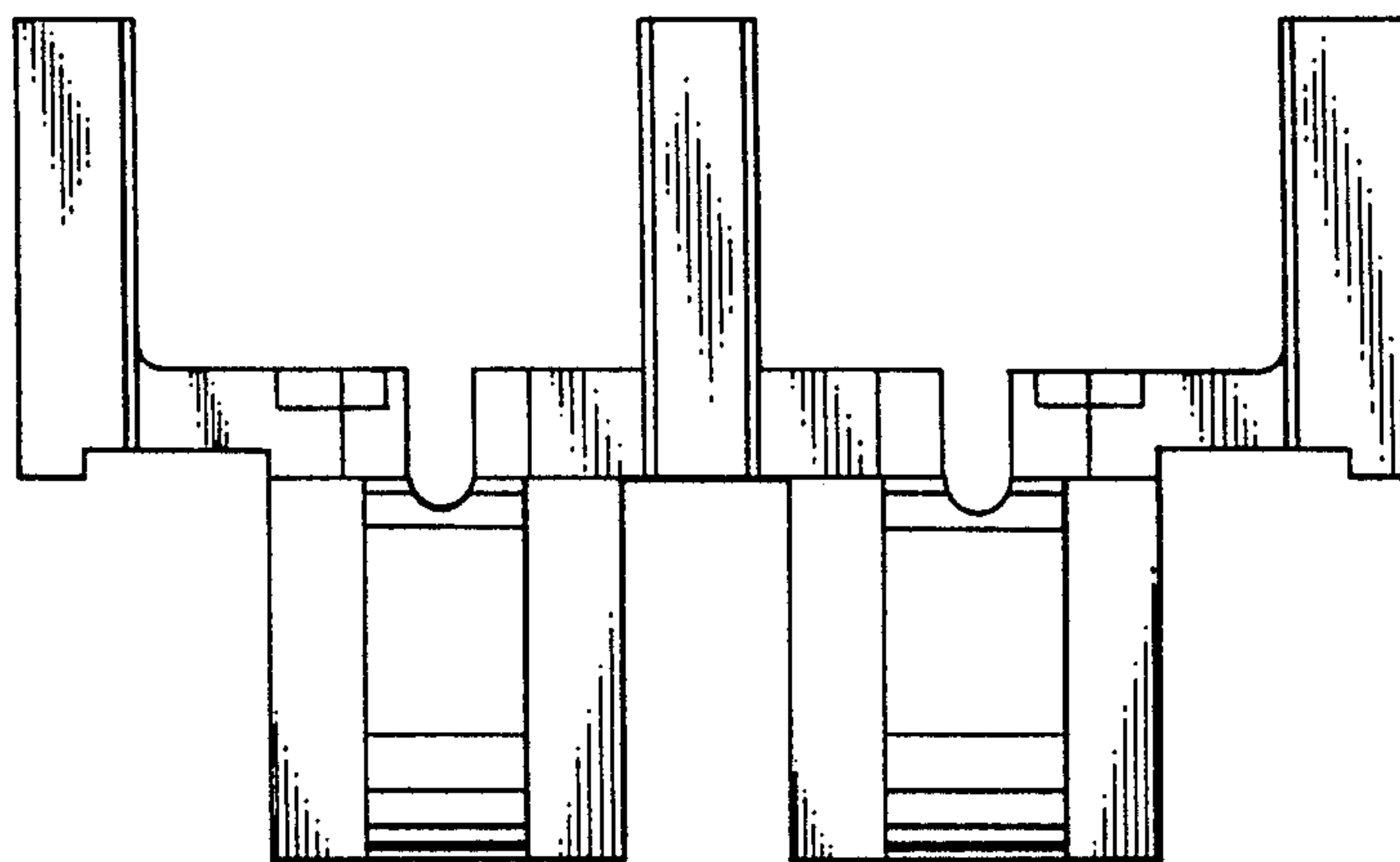
*Fig. 3*



*Fig. 4*



*Fig. 5*



*Fig. 6*