

[54] METAL-WORKING MACHINE WITH MULTITOOL HEAD

[75] Inventor: Mitsuyoshi Sato, Hamamatsu, Japan

[73] Assignee: Sakurai, Ltd., Shizuoka, Japan

[\*\*] Term: 14 Years

[21] Appl. No.: 339,335

[22] Filed: Jan. 15, 1982

[52] U.S. Cl. .... D15/122; D15/130; D15/199

[58] Field of Search ..... D15/122, 199, 127, 130; 29/36, 40

[56] References Cited

U.S. PATENT DOCUMENTS

D. 221,590	8/1971	Larsen et al. ....	D15/122
D. 244,445	5/1977	Lohneis et al. ....	D15/122
3,610,097	10/1971	Ollearo et al. ....	29/40
3,803,680	4/1974	Kuhnert ....	29/40
3,830,584	8/1974	Ohlig et al. ....	29/40
4,080,853	3/1978	Goto ....	29/36

OTHER PUBLICATIONS

American Machinist, 5/79, p. 12, The VFR Vertical Turning Machine.

Primary Examiner—B. J. Bullock  
Attorney, Agent, or Firm—Weinstein & Sutton

[57] CLAIM

The ornamental design for metal-working machine with multitool head, as shown and described.

DESCRIPTION

FIG. 1 is a front elevational view of metal-working machine with multitool head embodying my new design;

FIG. 2 is a right side elevational view, and the left side view is a mirror image of the right side view, and thus it is omitted;

FIG. 3 is a top plan view;

FIG. 4 is a bottom plan view;

FIG. 5 is a rear elevational view; and

FIG. 6 is a perspective view.

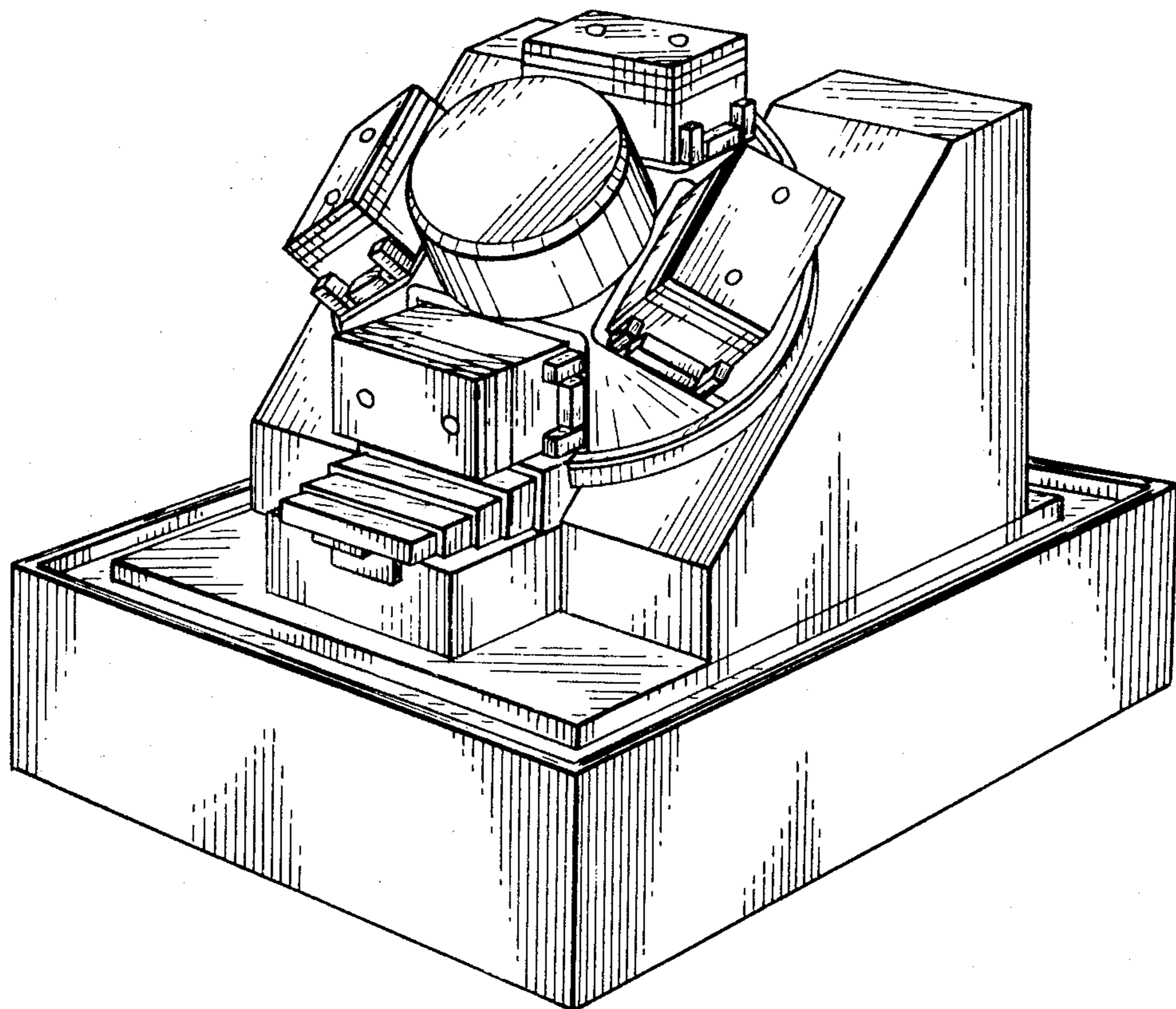


FIG. 2.

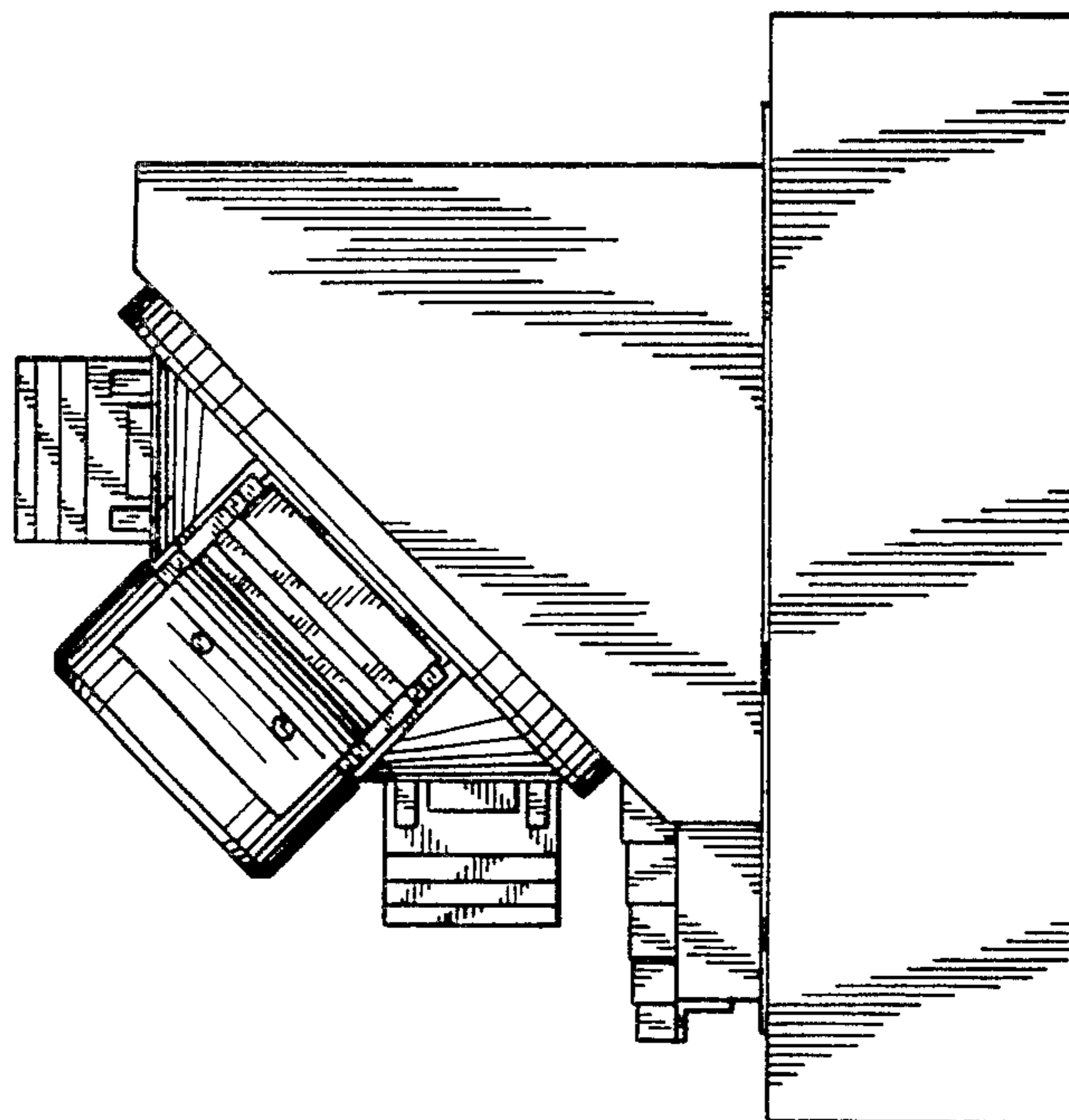


FIG. 1.

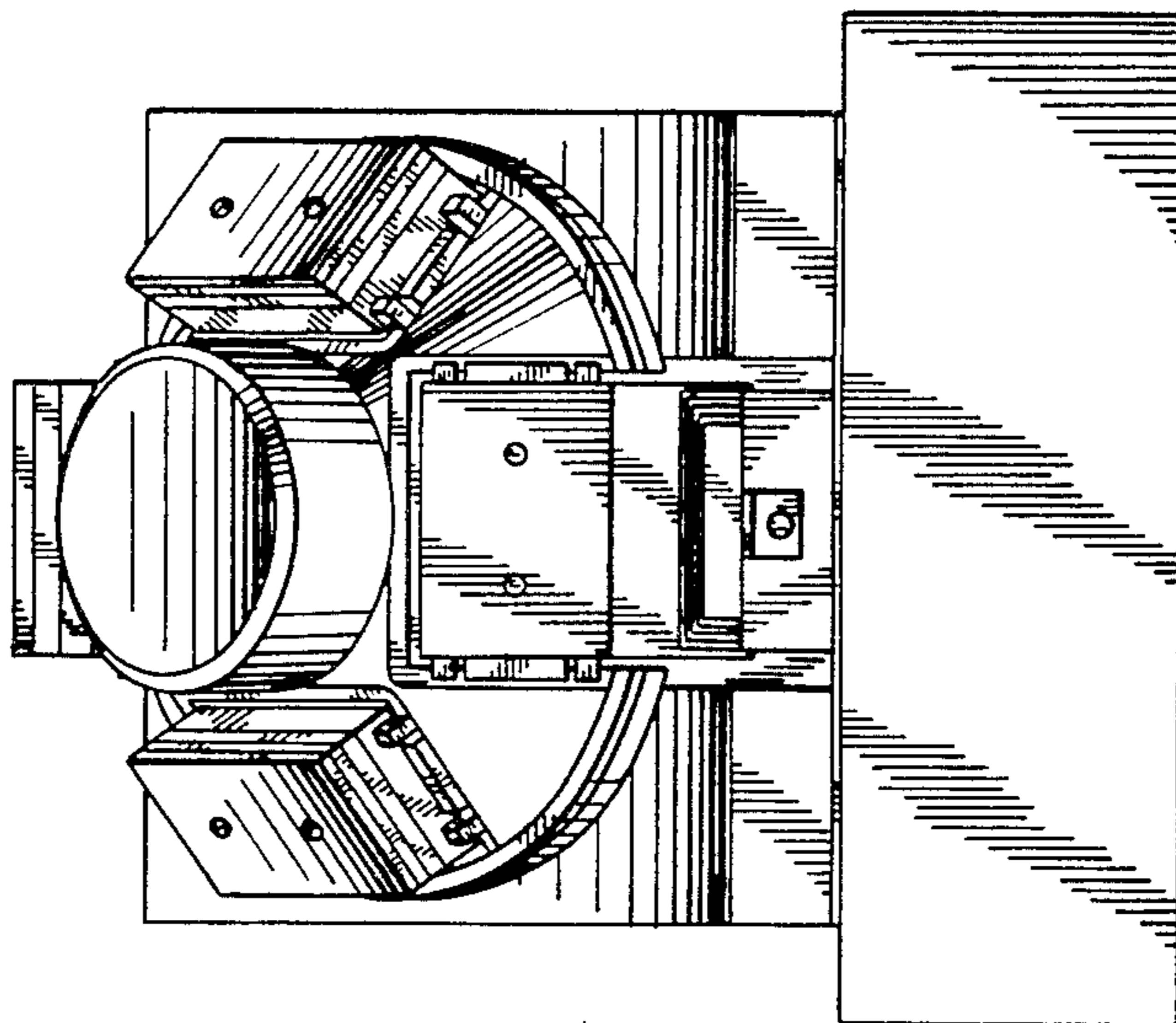


FIG. 4.

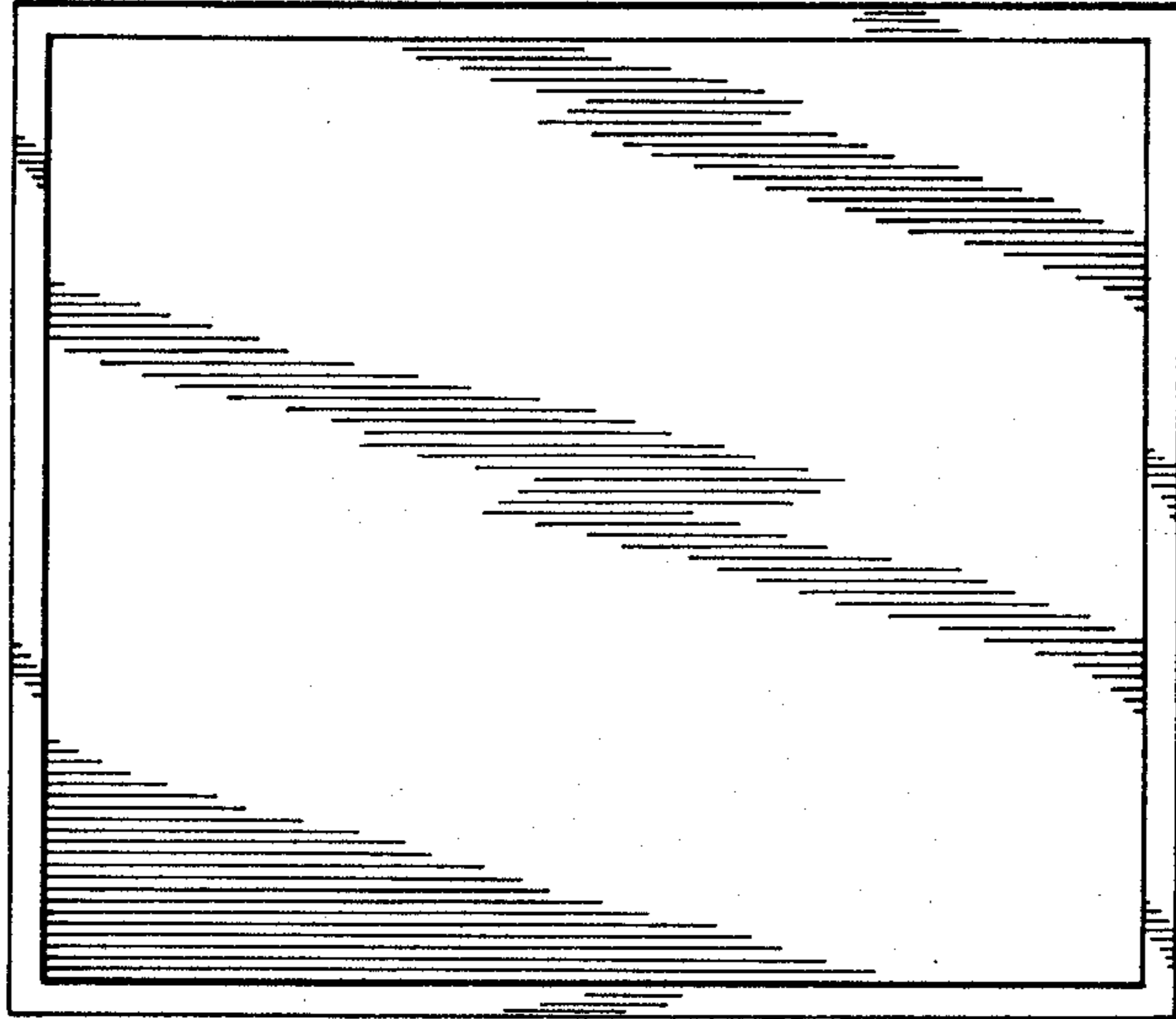
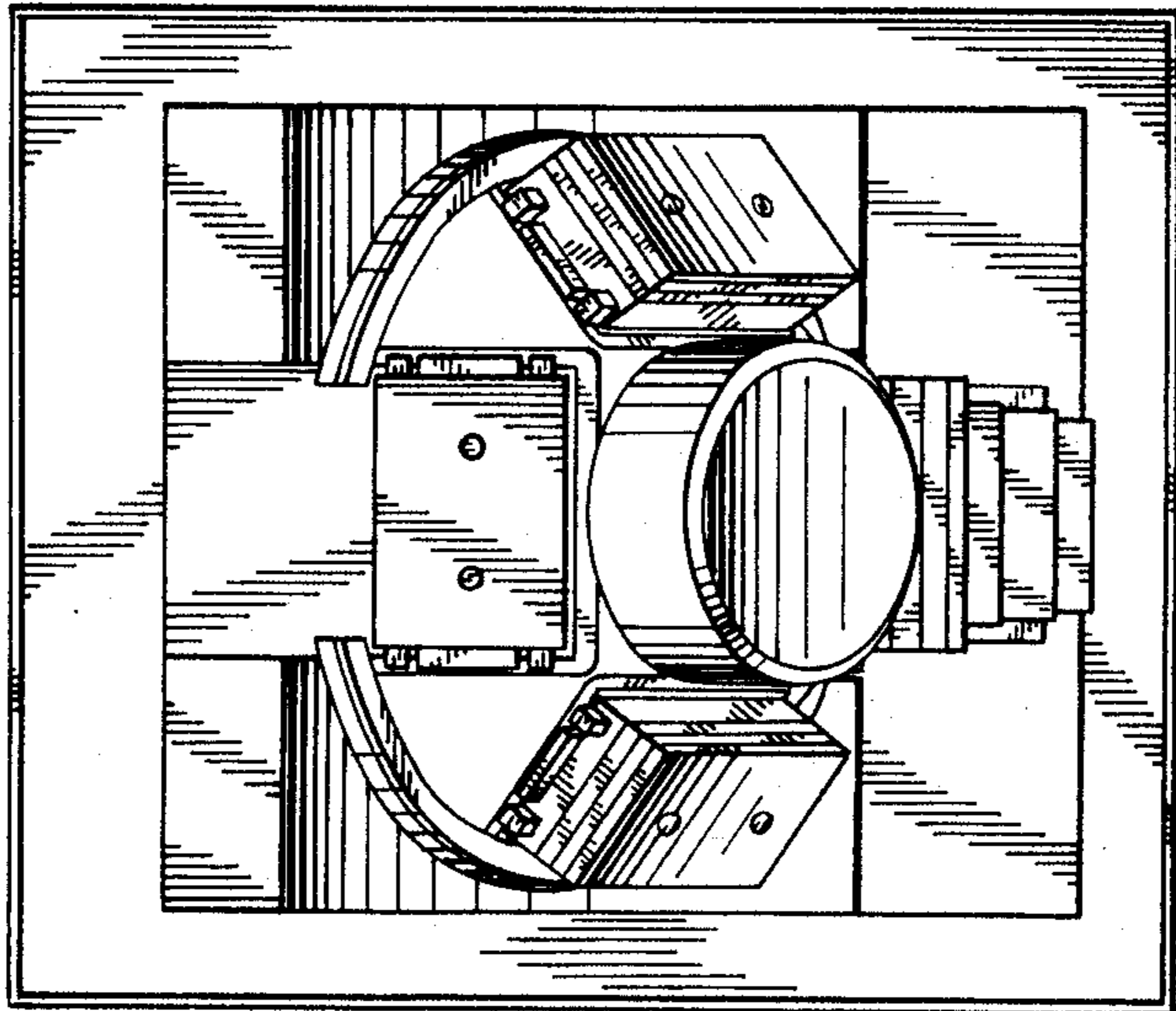
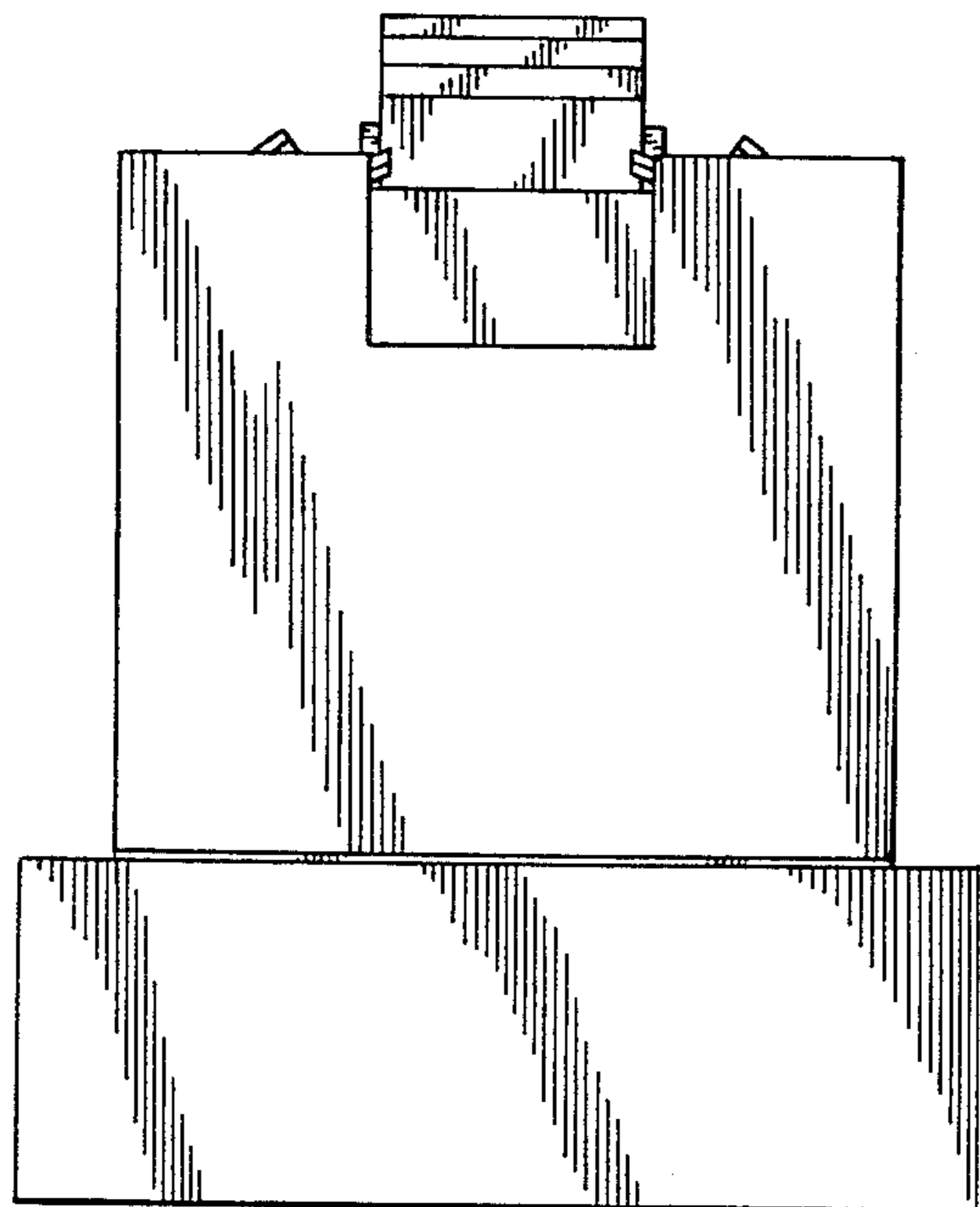


FIG. 3.



*Fig. 5.*



*Fig. 6.*

