

[54] SEWING MACHINE OR SIMILAR ARTICLE

[75] Inventors: Jan Szostak, Lincroft; George La Police, Somerville, both of N.J.; John Brown, Wilton, Conn.; Michael P. Ballone, New Providence, N.J.

[73] Assignee: The Singer Company, Stamford, Conn.

[**] Term: 14 Years

[21] Appl. No.: 326,629

[22] Filed: Dec. 2, 1981

[52] U.S. Cl. D15/69

[58] Field of Search D15/66, 68, 69, 70, D15/71, 72, 73, 74, 75, 76, 77, 78; 112/258, 259, 261

[56] References Cited

U.S. PATENT DOCUMENTS

D. 206,034 10/1966 Reichenstein D15/69

D. 223,057 3/1972 Genaro D15/76
D. 223,058 3/1972 Genaro .
D. 241,076 8/1976 Genaro D15/69
D. 253,705 12/1979 Felix et al. .

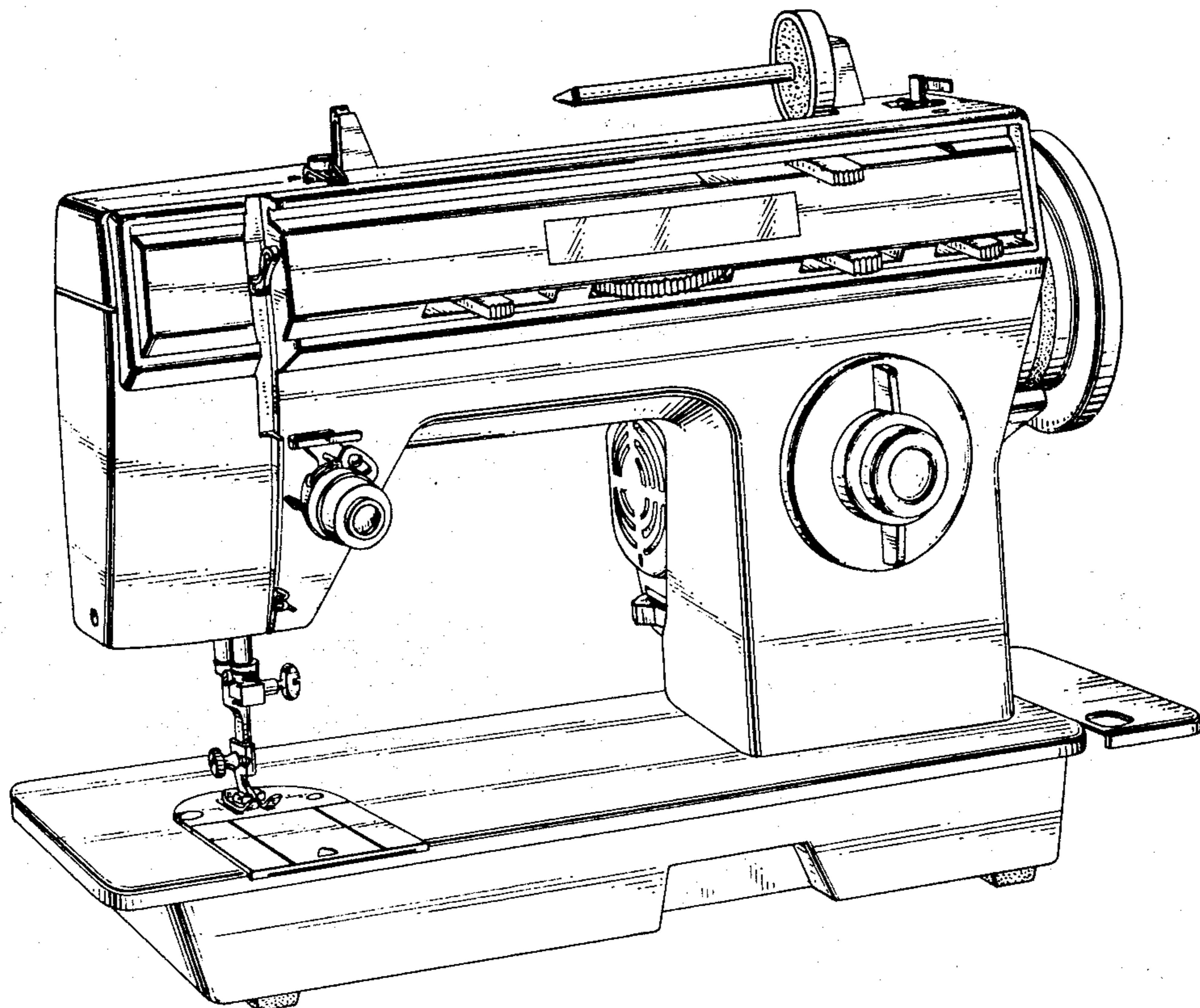
Primary Examiner—Nelson C. Holtje
Assistant Examiner—Carmen H. Vales
Attorney, Agent, or Firm—Robert E. Smith; Edward L. Bell

[57] CLAIM

The ornamental design for a sewing machine or similar article, substantially as shown and described.

DESCRIPTION

FIG. 1 is a front perspective view of a sewing machine or similar article showing our new design, FIG. 2 is a rear elevational view, FIG. 3 is a front elevational view, FIG. 4 is a left, side elevational view, FIG. 5 is a right side elevational view, and FIG. 6 is a top plan view.



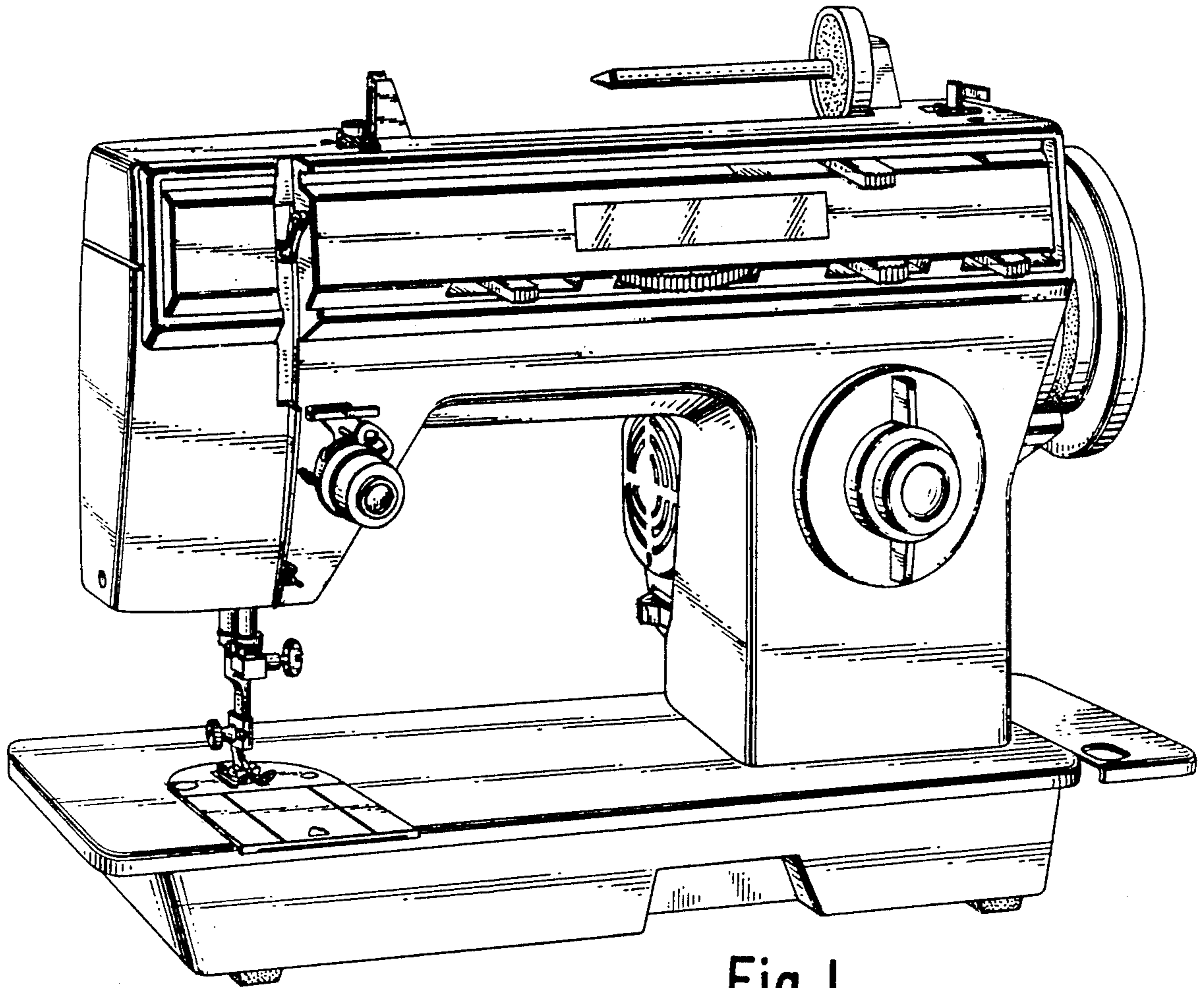


Fig. 1

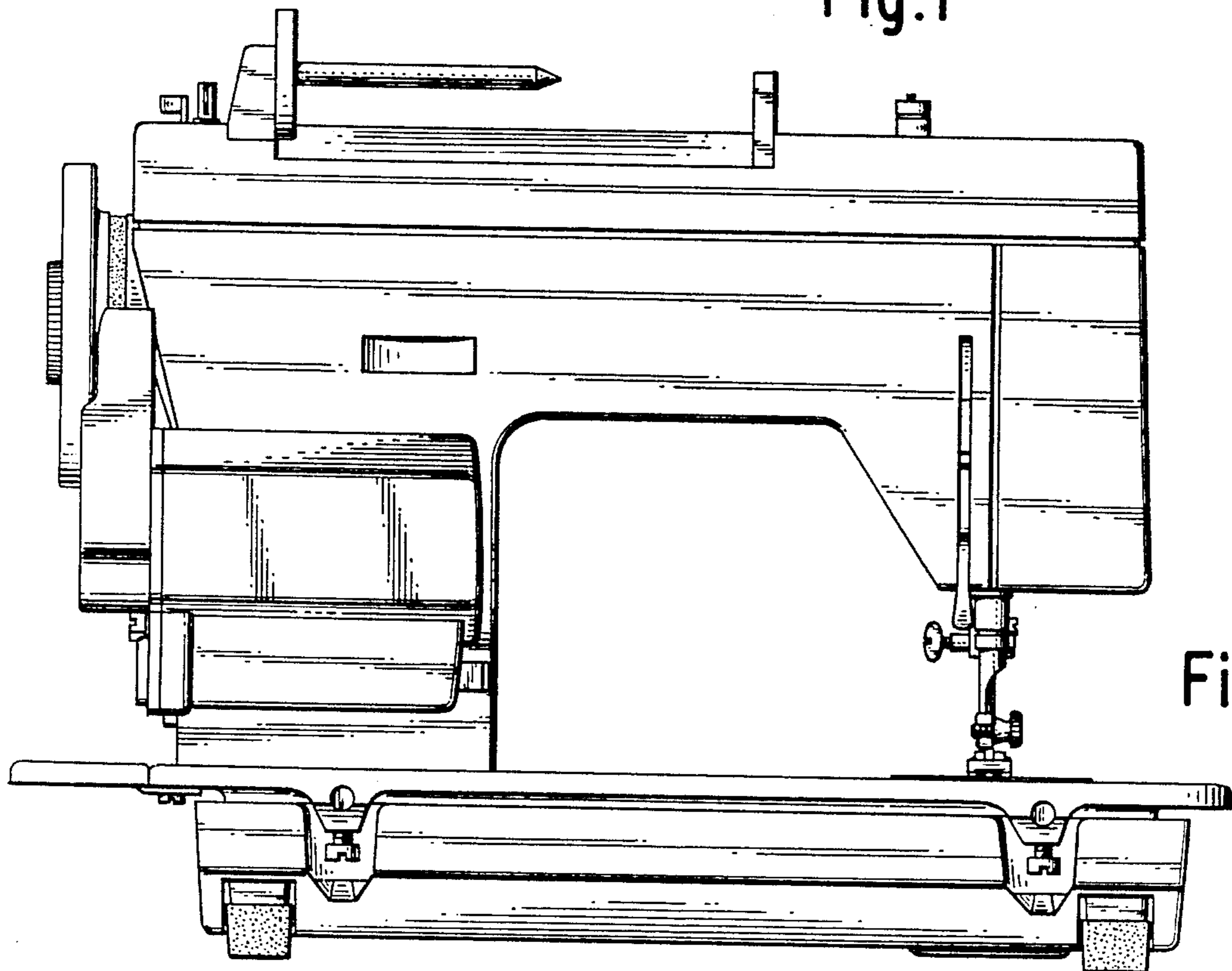


Fig. 2

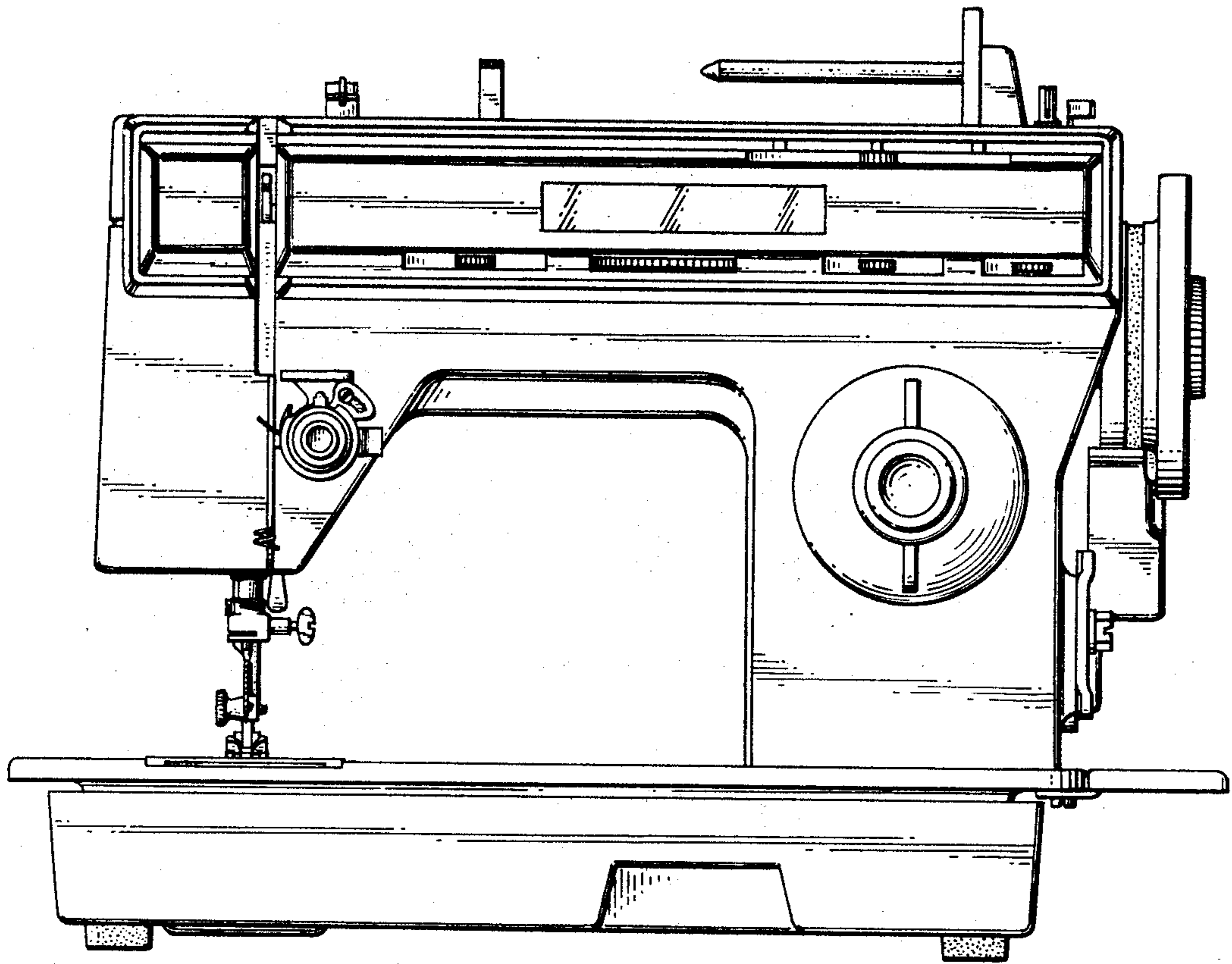


Fig. 3

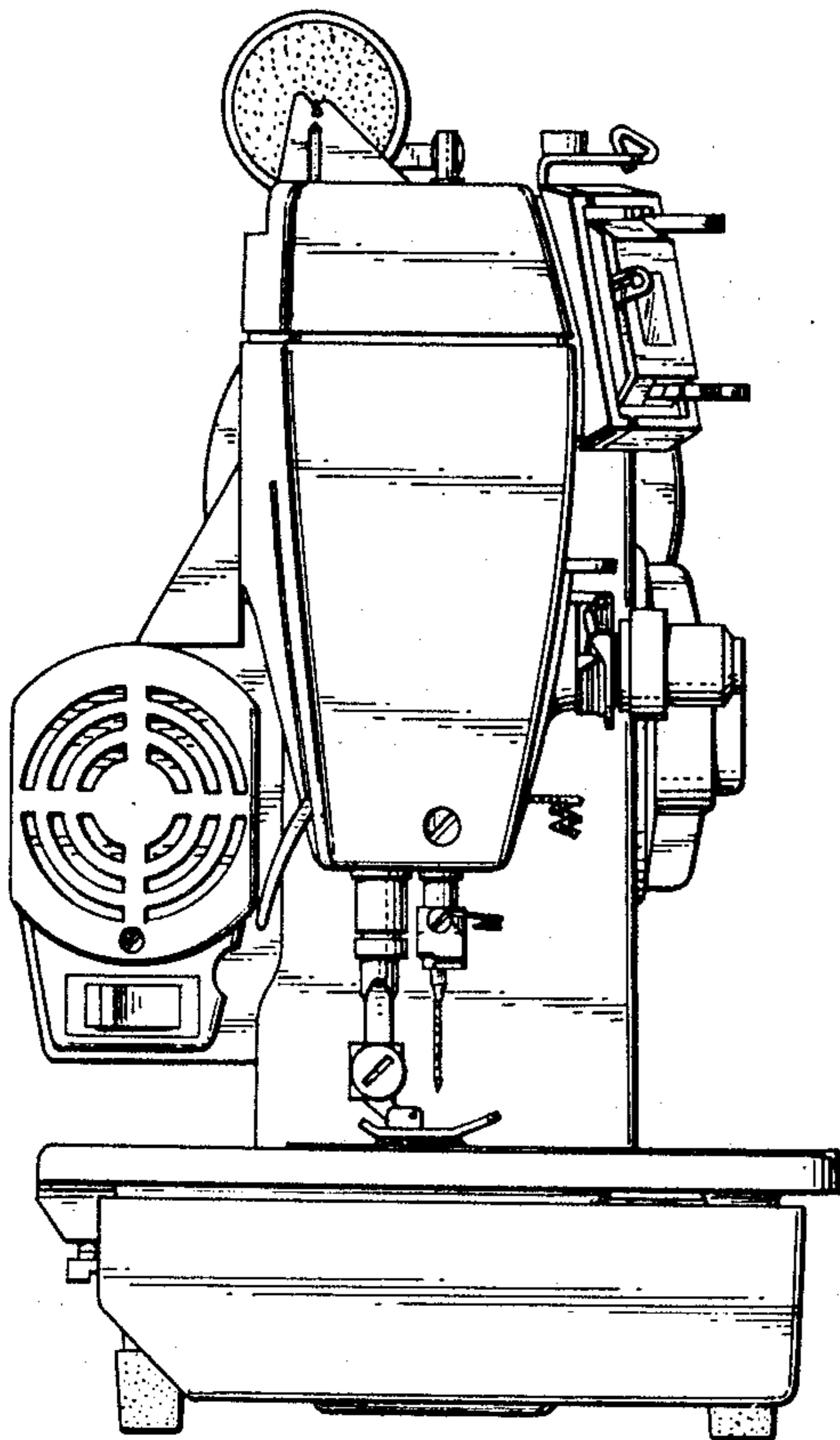


Fig. 4

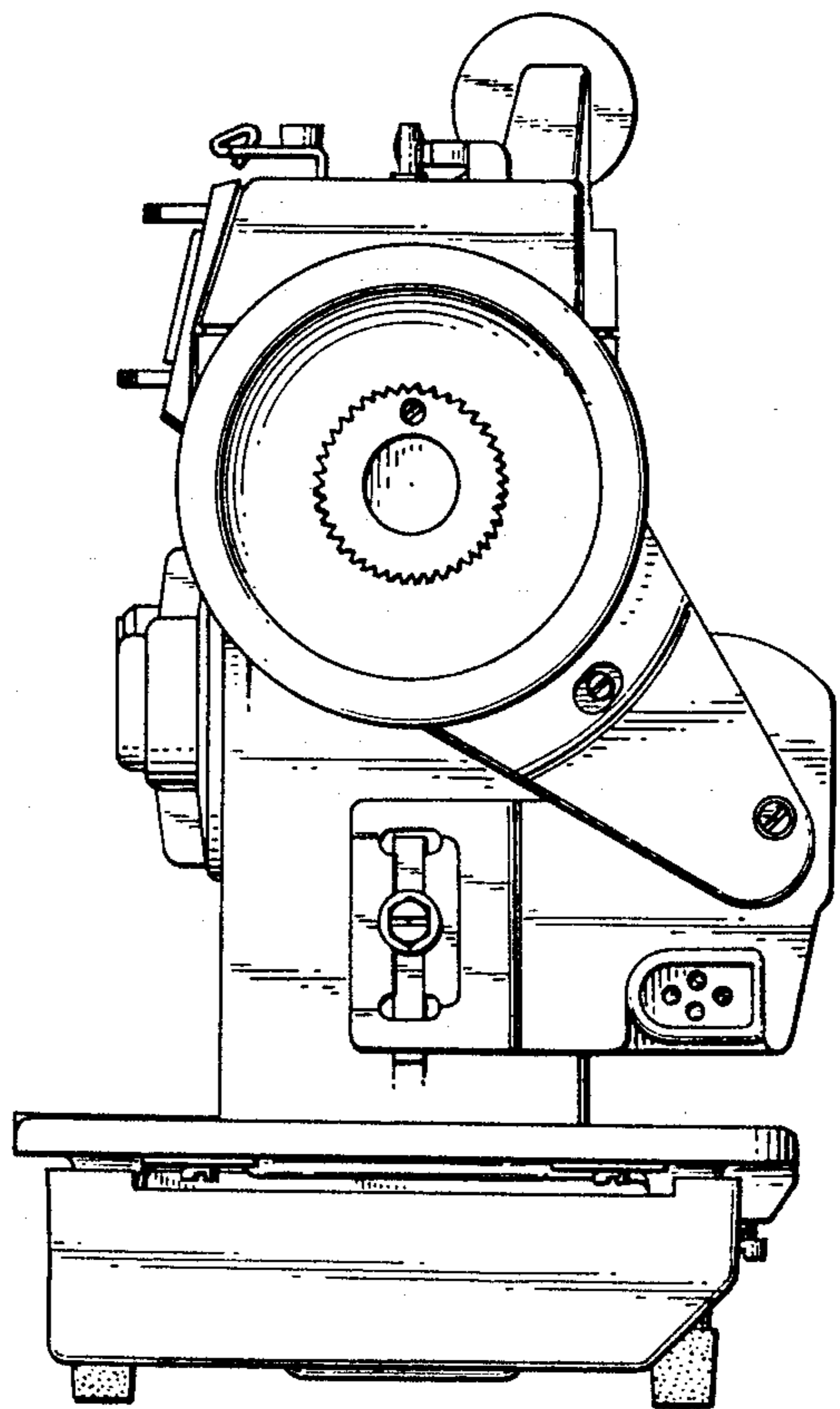


Fig. 5

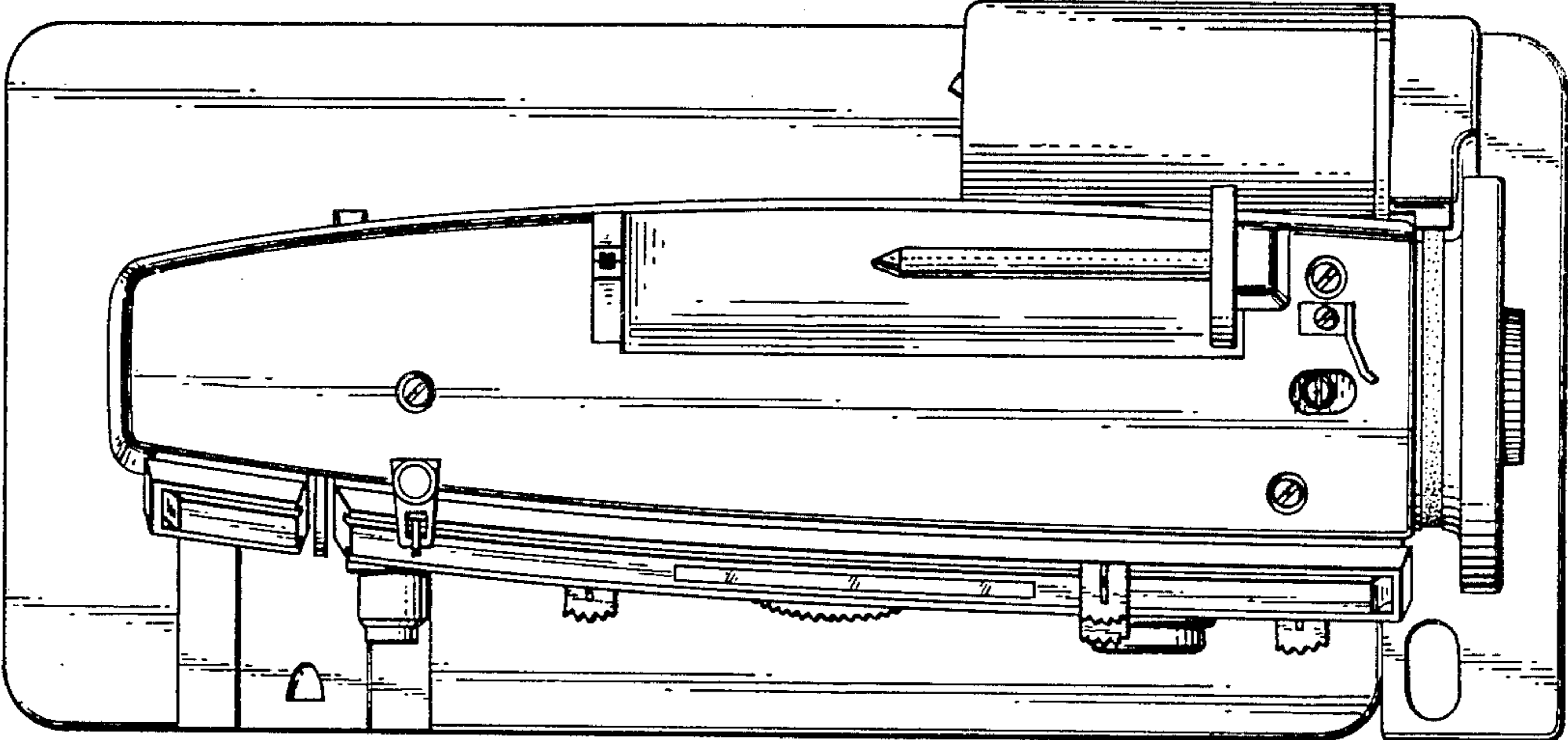


Fig.6