

[54] FRONT, SIDES & FRONT PORTION OF THE TOP OF A TEXT PROCESSING STATION OR SIMILAR ARTICLE

[75] Inventor: Jens Reese, Munich, Fed. Rep. of Germany

[73] Assignee: Siemens Aktiengesellschaft, Berlin & Munich, Fed. Rep. of Germany

[**] Term: 14 Years

[21] Appl. No.: 191,858

[22] Filed: Sep. 29, 1980

[30] Foreign Application Priority Data

Apr. 15, 1980 [DE] Fed. Rep. of Germany ... MR BD. 8 NR. 12 120

[52] U.S. Cl. D14/100

[58] Field of Search D14/100-117; 174/52 R; 361/331, 334, 380, 390, 391, 392; 235/145 R; 364/900; 340/365 R, 711

[56] References Cited

U.S. PATENT DOCUMENTS

D. 238,497 1/1976 Fossella et al. D14/106 3,480,945 11/1969 Nelson 340/365 R

Primary Examiner—Susan J. Lucas
Attorney, Agent, or Firm—Hill, Van Santen, Steadman & Simpson

[57] CLAIM

The ornamental design for the front, sides and front portion of the top of a text processing station or similar article, substantially as shown and described.

DESCRIPTION

FIG. 1 is a front perspective view of the front, sides and front portion of the top of a text processing station or similar article showing my new design;

FIG. 2 is a right side view thereof;

FIG. 3 is a left side perspective view thereof.

FIG. 4 is a top plan view of a text processing station or similar article showing my new design.

The keys are shown in broken lines in FIGS. 2, 3 and 4 for convenience of illustration.

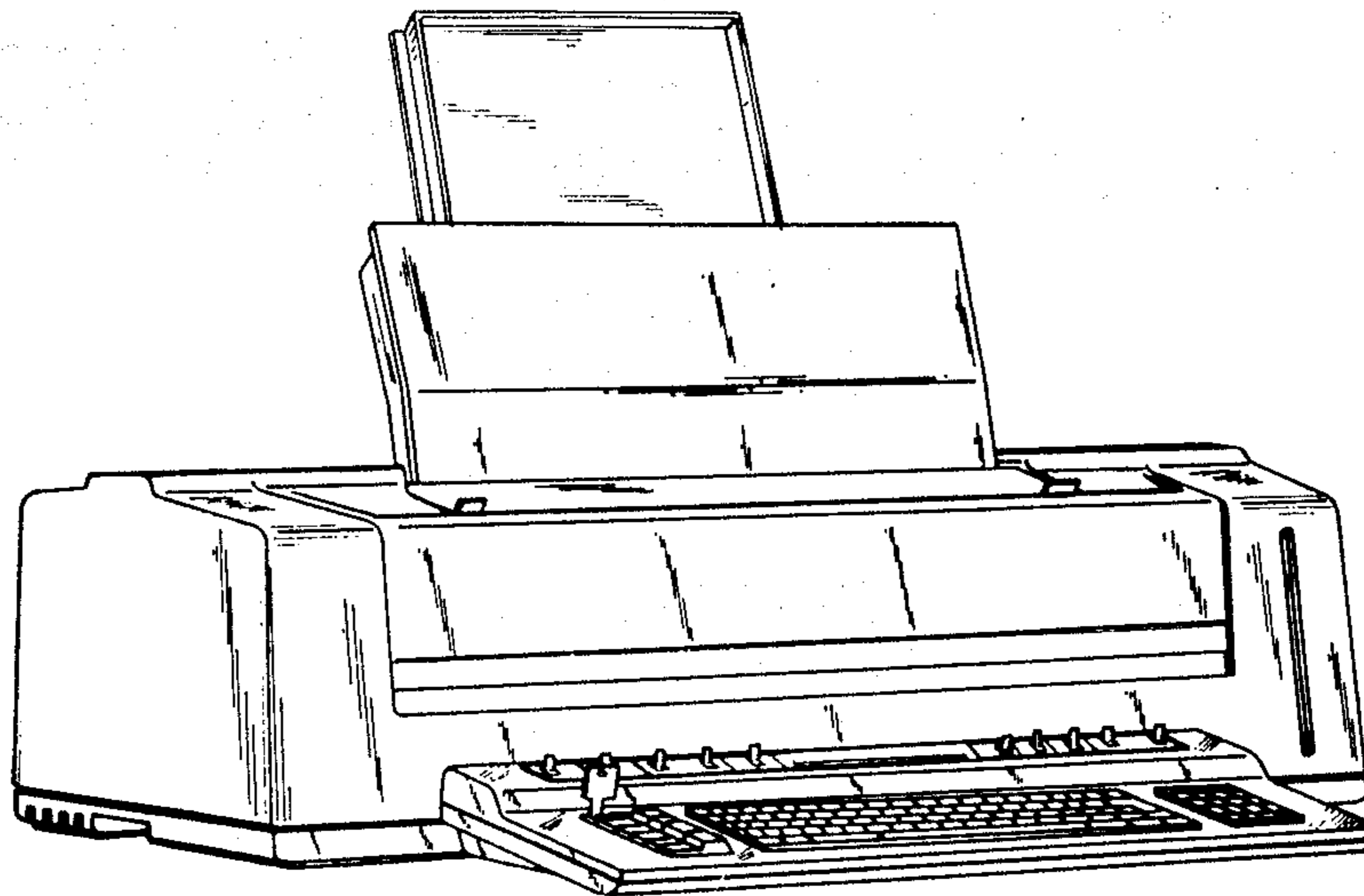


FIG 1

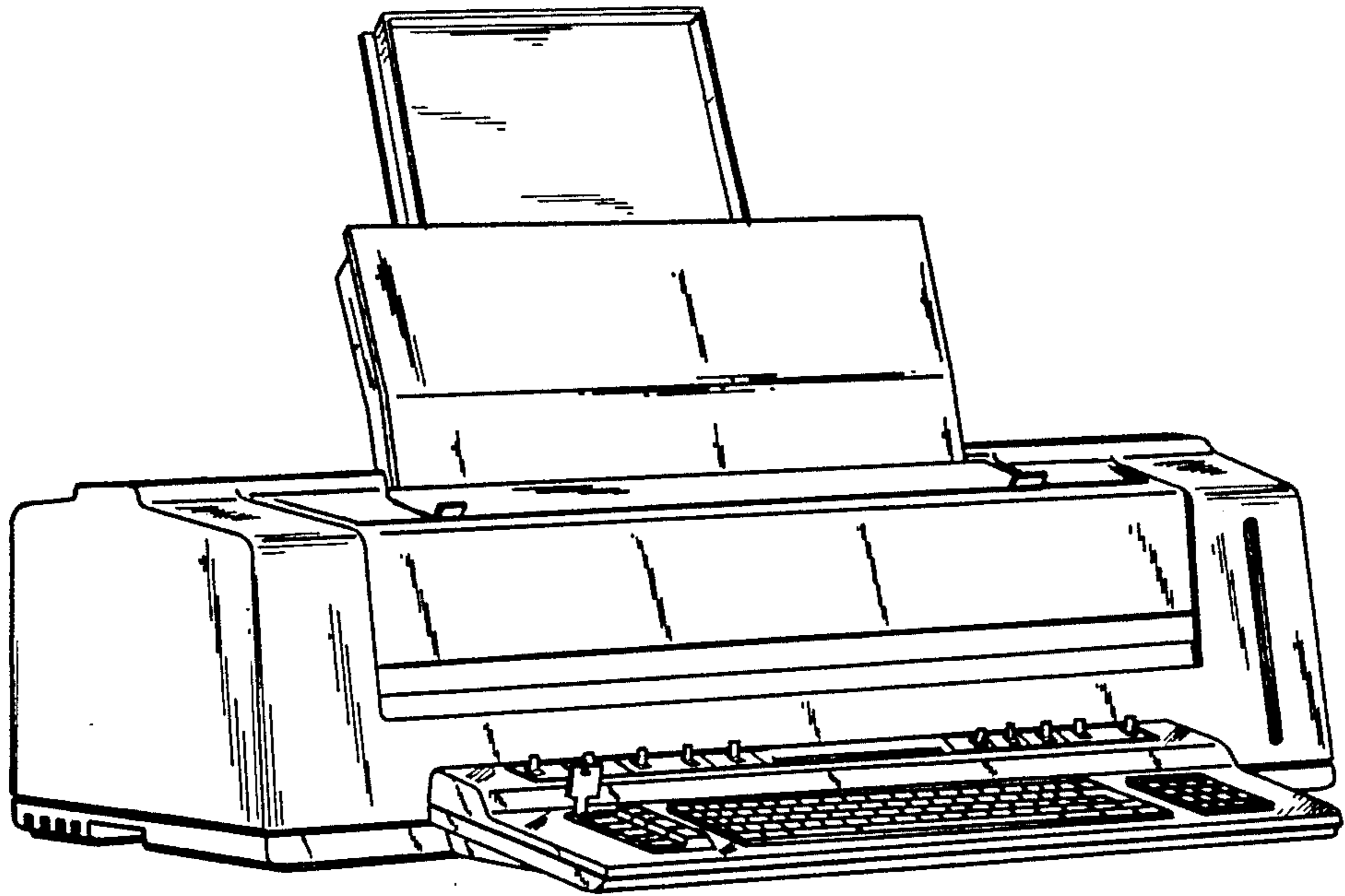


FIG 2

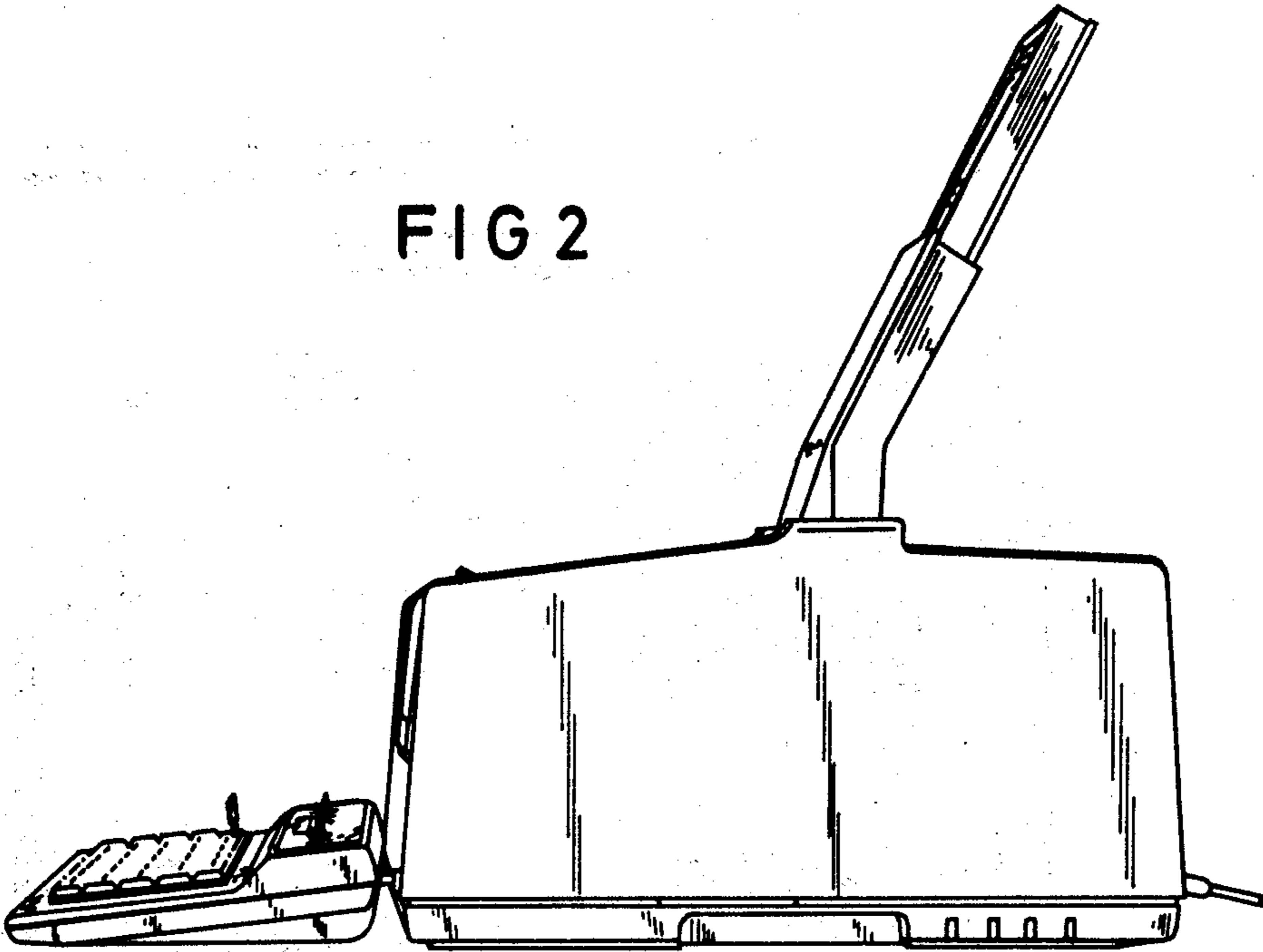


FIG 3

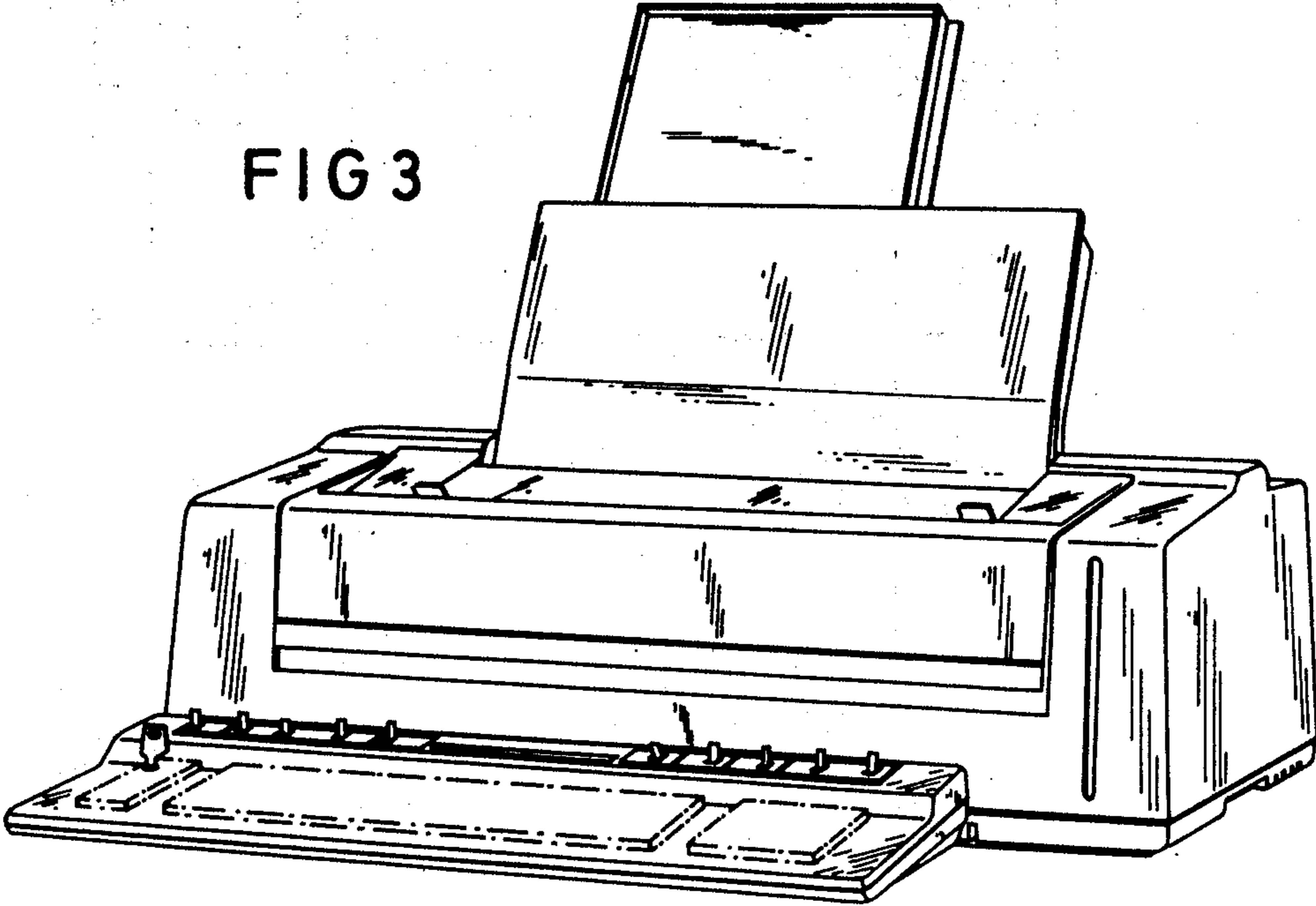


FIG. 4

