

[54] MOUNTING RING FOR PREFABRICATED FIRE WALL LEAD-IN

[75] Inventors: Bengt E. Legerius, Nyköping; Hans W. Siebert, Oxelösund, both of Sweden

[73] Assignee: Telefonaktiebolaget L M Ericsson, Stockholm, Sweden

[**] Term: 14 Years

[21] Appl. No.: 184,228

[22] Filed: Sep. 5, 1980

[30] Foreign Application Priority Data

Mar. 14, 1980 [SE] Sweden 80000535
[52] U.S. Cl. D13/13
[58] Field of Search D13/12, 13; 174/48, 174/68 R, 68 C, 73 R, 74 R, 74 A, 76, 77, 82, 93, 98, 101; 52/221

[56] References Cited

U.S. PATENT DOCUMENTS

3,318,476	5/1968	Clark	174/48 X
4,050,205	9/1977	Ligda	174/48 X
4,243,835	1/1981	Ehrenfels	174/48
4,291,195	9/1981	Blomquist	174/48

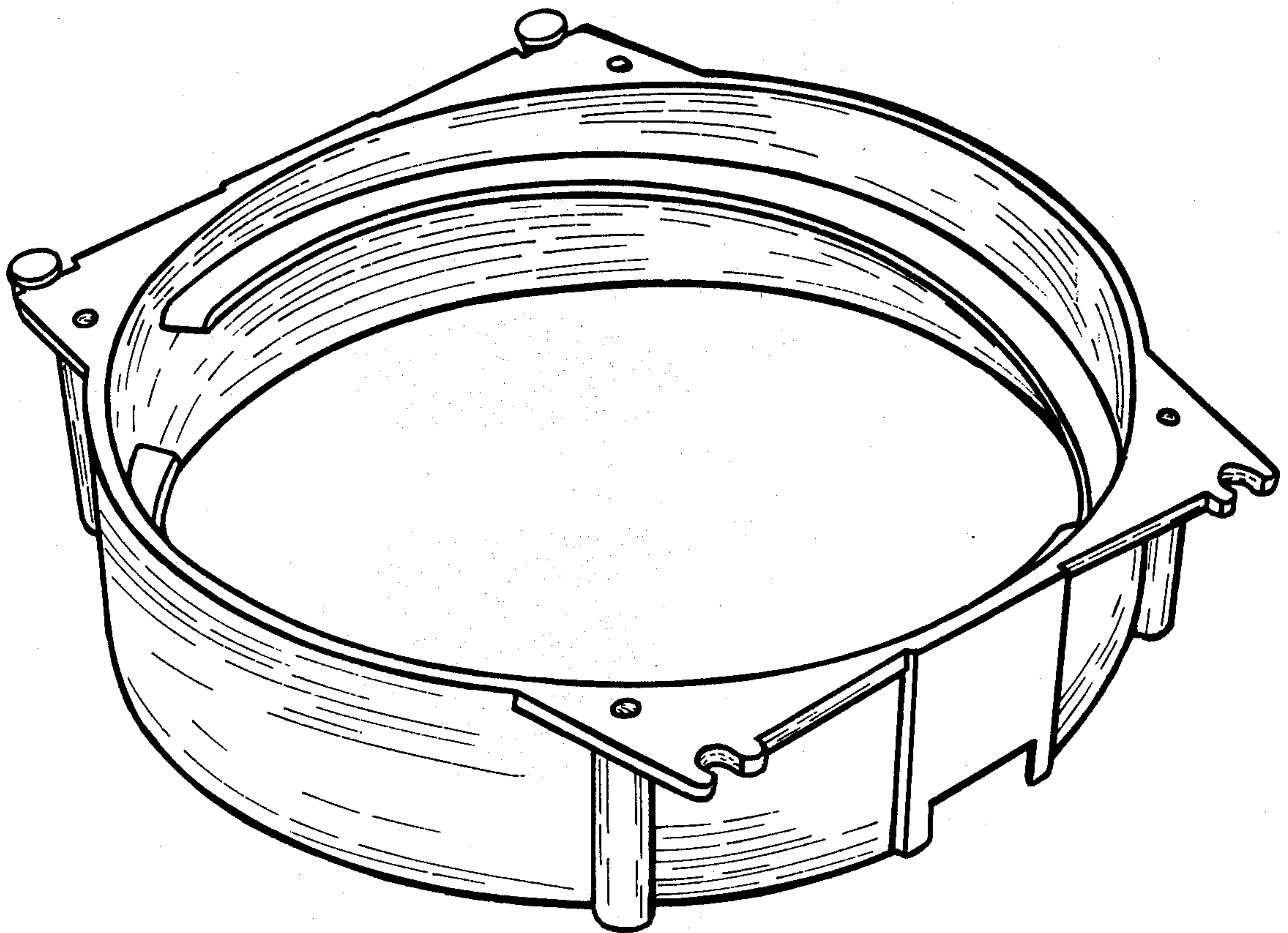
Primary Examiner—Susan J. Lucas
Attorney, Agent, or Firm—Roberts, Spieccens & Cohen

[57] CLAIM

The ornamental design for a mounting ring for prefabricated fire wall lead-in, as shown and described.

DESCRIPTION

FIG. 1 is a side perspective view of a mounting ring for prefabricated fire wall lead-in showing our new design; FIG. 2 is an opposite side perspective view thereof; and FIG. 3 is an elevational view thereof as seen from the bottom of FIG. 1; FIG. 4 is an elevational view thereof on an enlarged scale as seen from the top of FIG. 1.



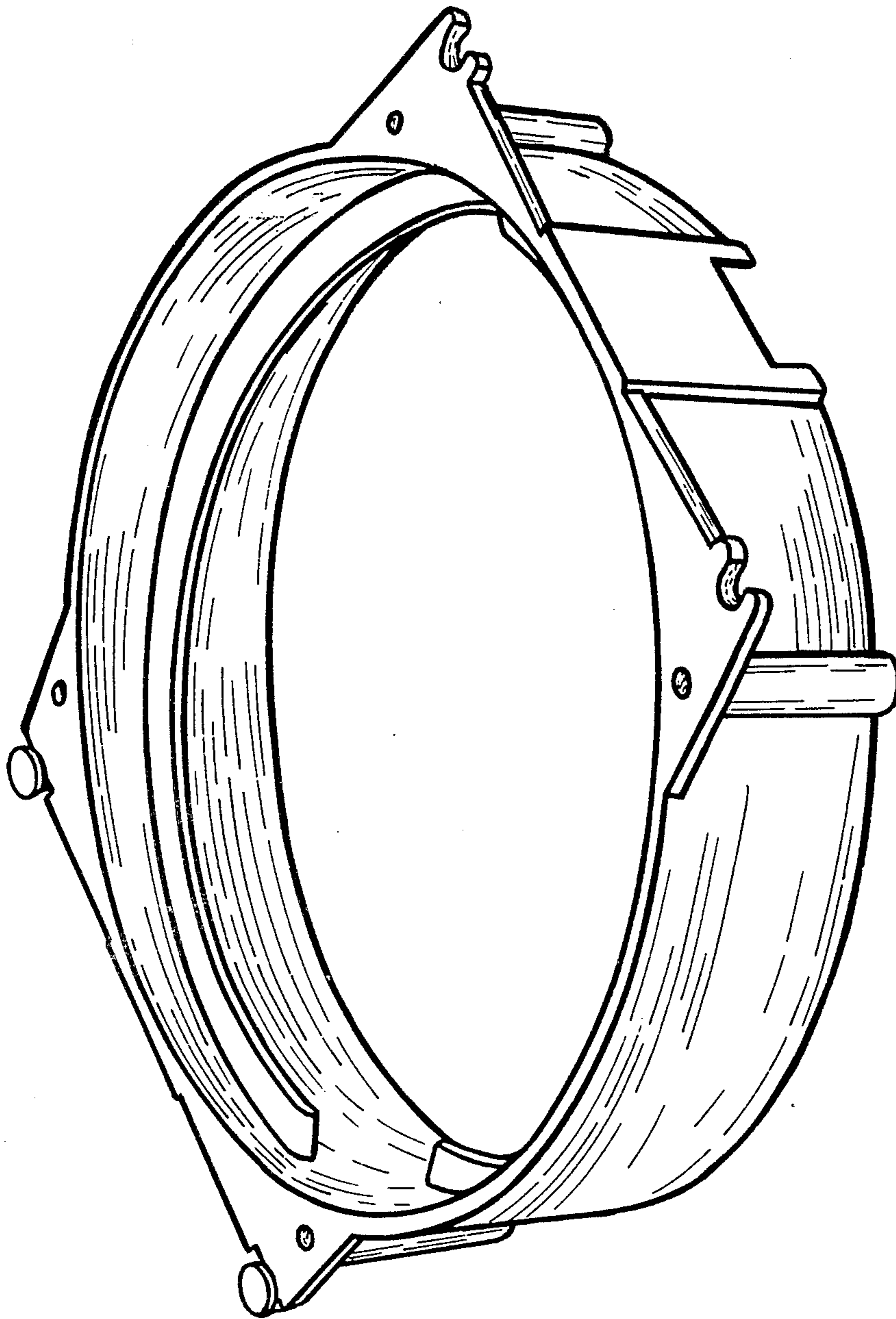


FIG. 1

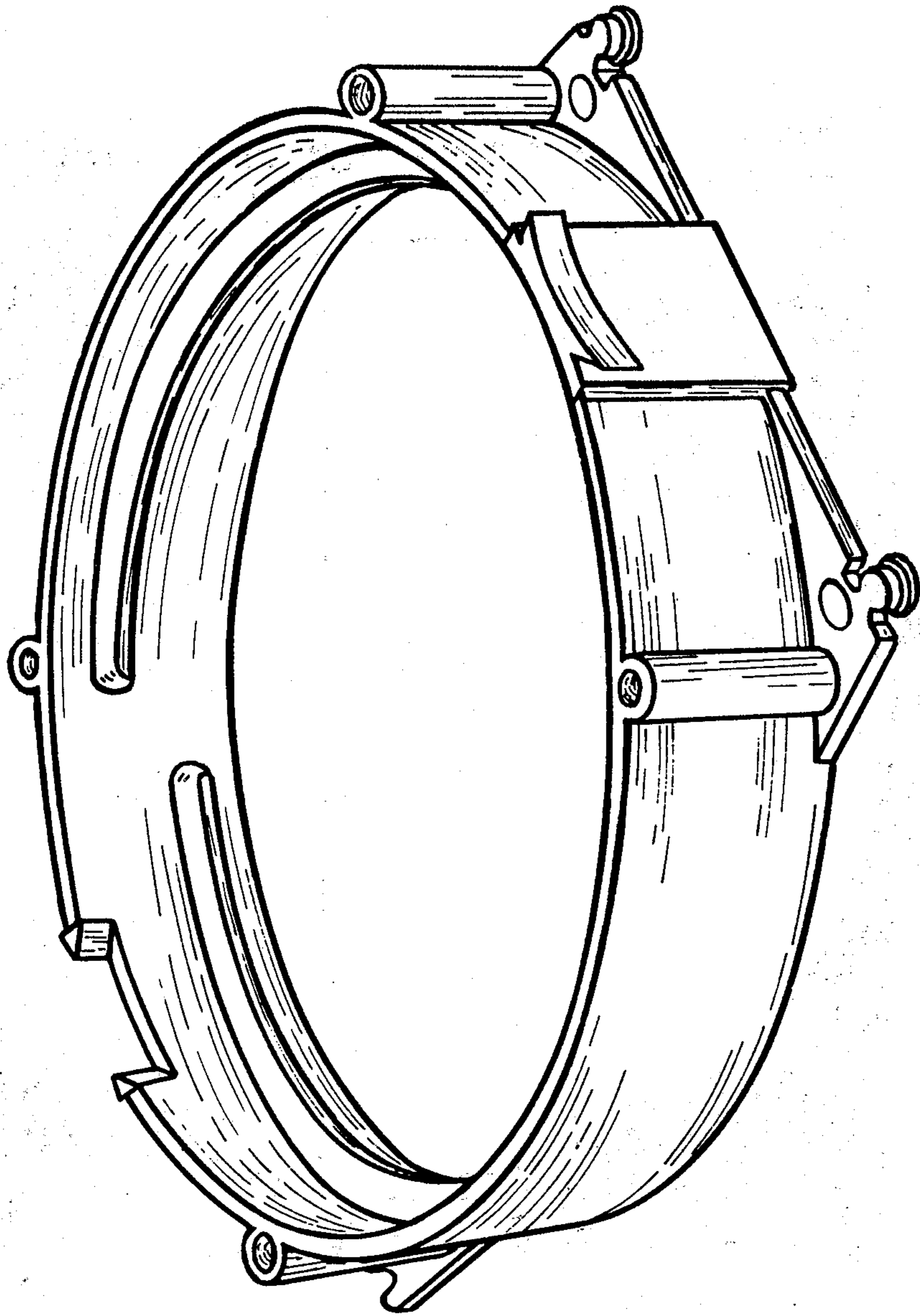


FIG. 2

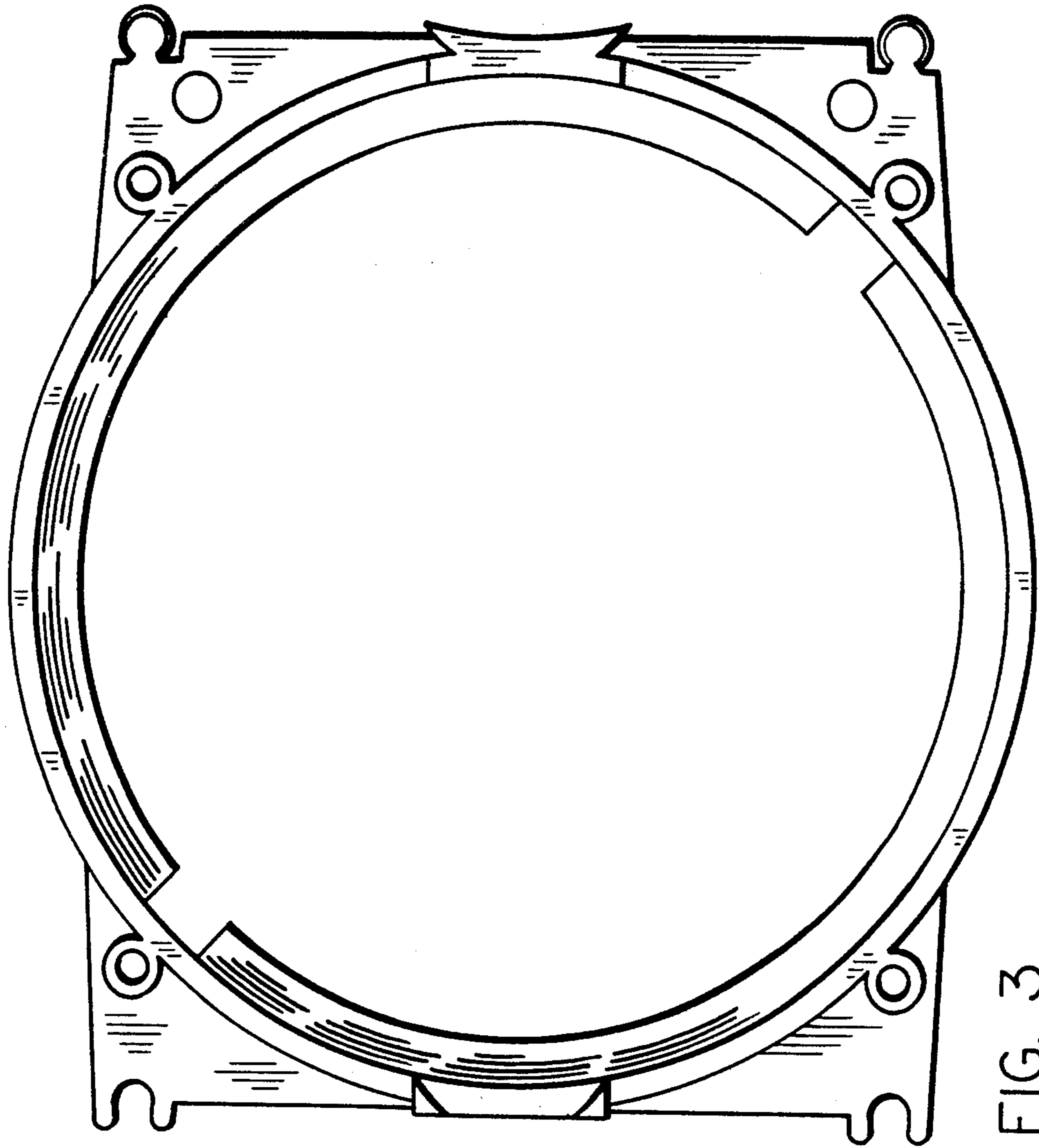


FIG. 3

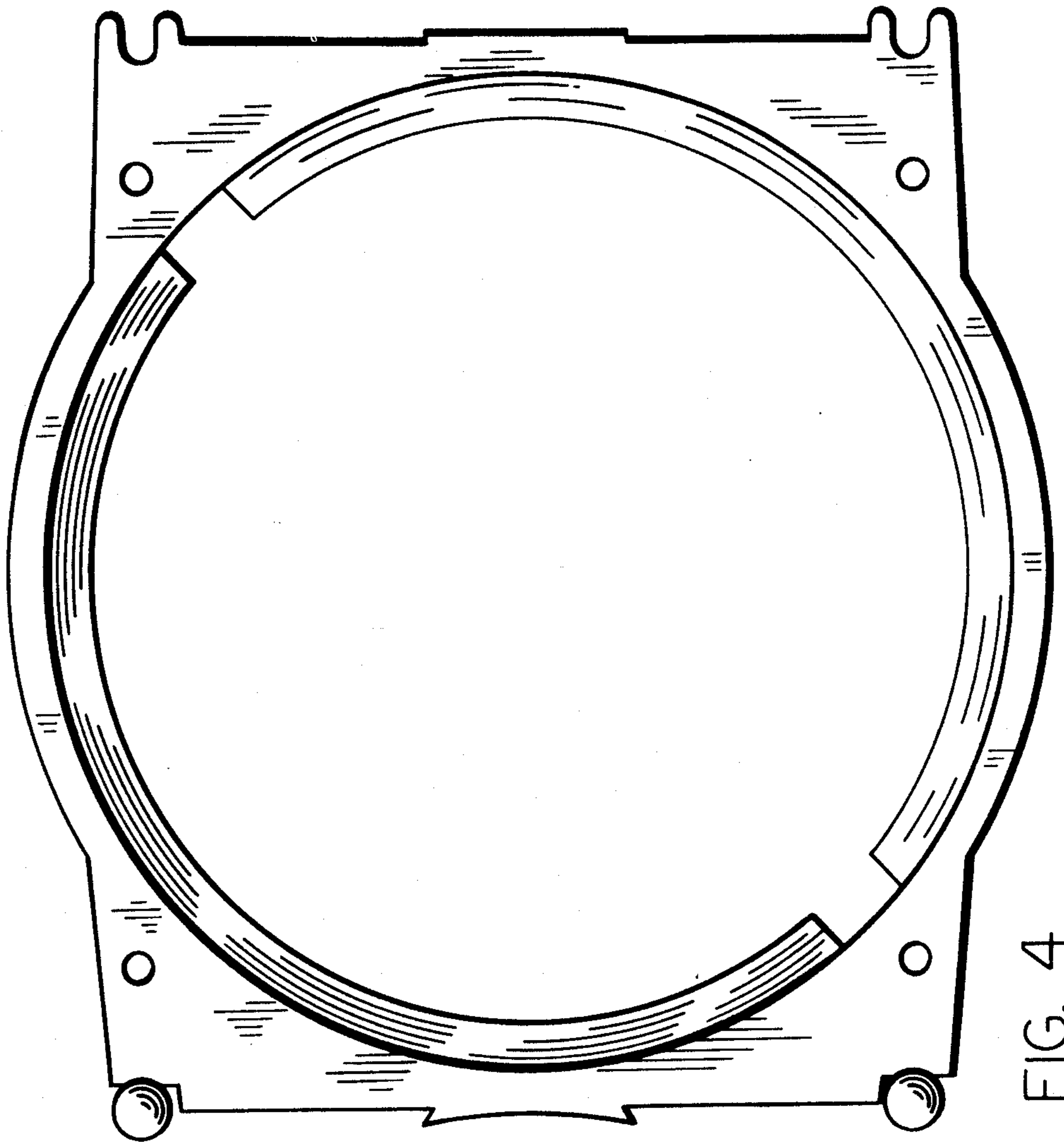


FIG. 4