

[54] CONVERTIBLE TRAILER FOR USE WITH RUNNERS OR WHEELS

[76] Inventor: Gene F. Van Gerpen, P.O. Box 1285, Marble Falls, Tex. 78654

[\*\*] Term: 14 Years

[21] Appl. No.: 344,582

[22] Filed: Feb. 1, 1982

[52] U.S. Cl. .... D12/102

[58] Field of Search ..... D12/102, 105; 280/63, 280/656; 296/181

[56] References Cited

U.S. PATENT DOCUMENTS

- D. 230,395 2/1974 Sporich ..... D12/102
- D. 255,863 7/1980 Futch ..... D12/102
- D. 268,922 5/1983 Richer ..... D12/105

OTHER PUBLICATIONS

Automotive News, 5/9/60, p. 48, Trailer.

Primary Examiner—James M. Gandy

Attorney, Agent, or Firm—Henderson & Sturm

[57] CLAIM

The ornamental design for a convertible trailer for use with runners or wheels, substantially as shown and described.

DESCRIPTION

FIG. 1 is a rear perspective view of a convertible trailer for use with runners or wheels showing my new design with the lid in open condition, it being understood that the broken lines are for illustrative purposes only;

FIG. 2 is a reduced top plan view thereof with the lid closed;

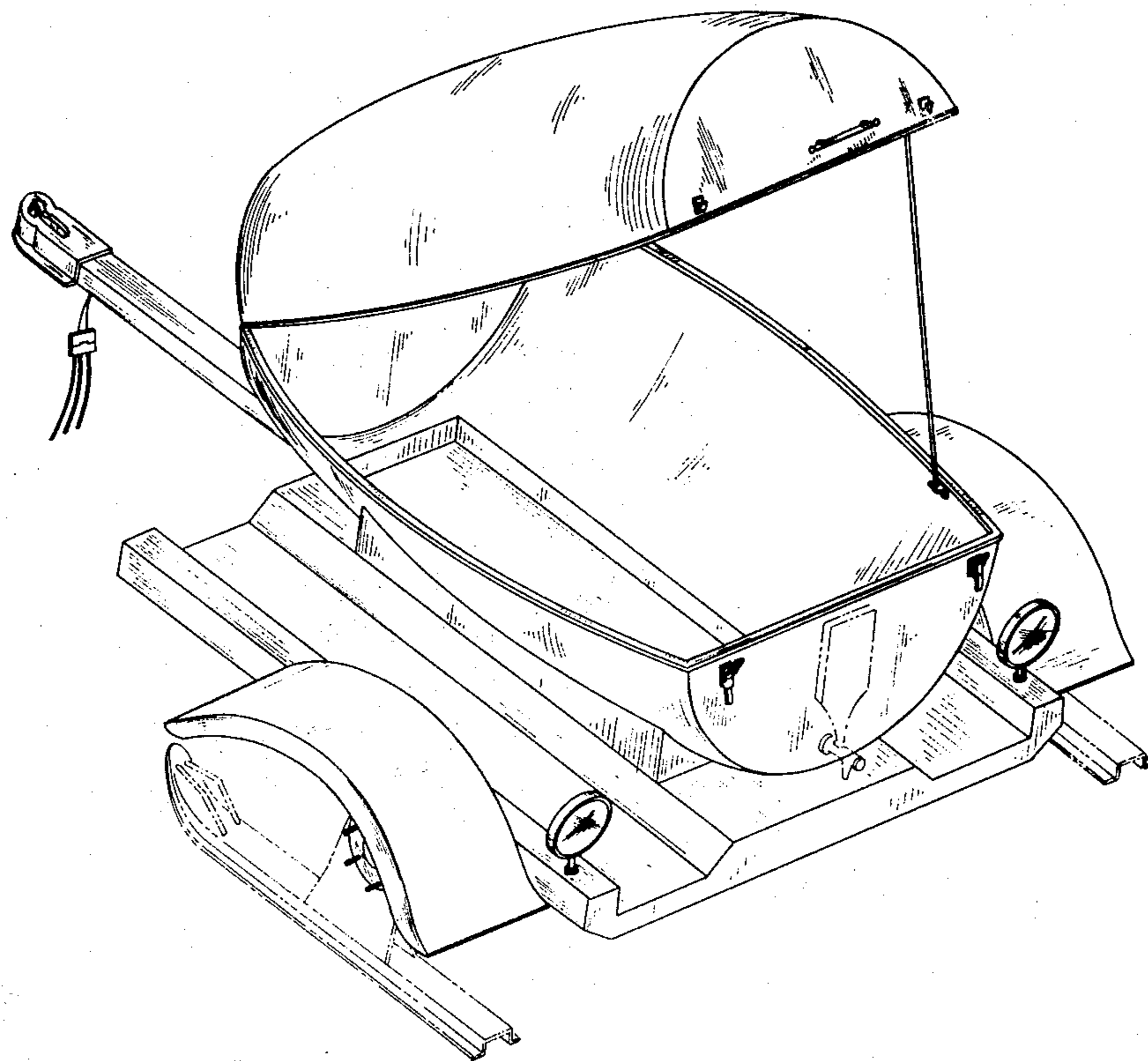
FIG. 3 is a reduced rear elevational view thereof with the lid closed;

FIG. 4 is a reduced front elevational view thereof with the lid closed;

FIG. 5 is a reduced right side elevational view thereof with the lid closed, the left side being a mirror image of that shown;

FIG. 6 is a reduced bottom plan view thereof with the lid closed; and

FIG. 7 is a cross-sectional view thereof taken through line 7—7 of FIGS. 2, 5 and 6.



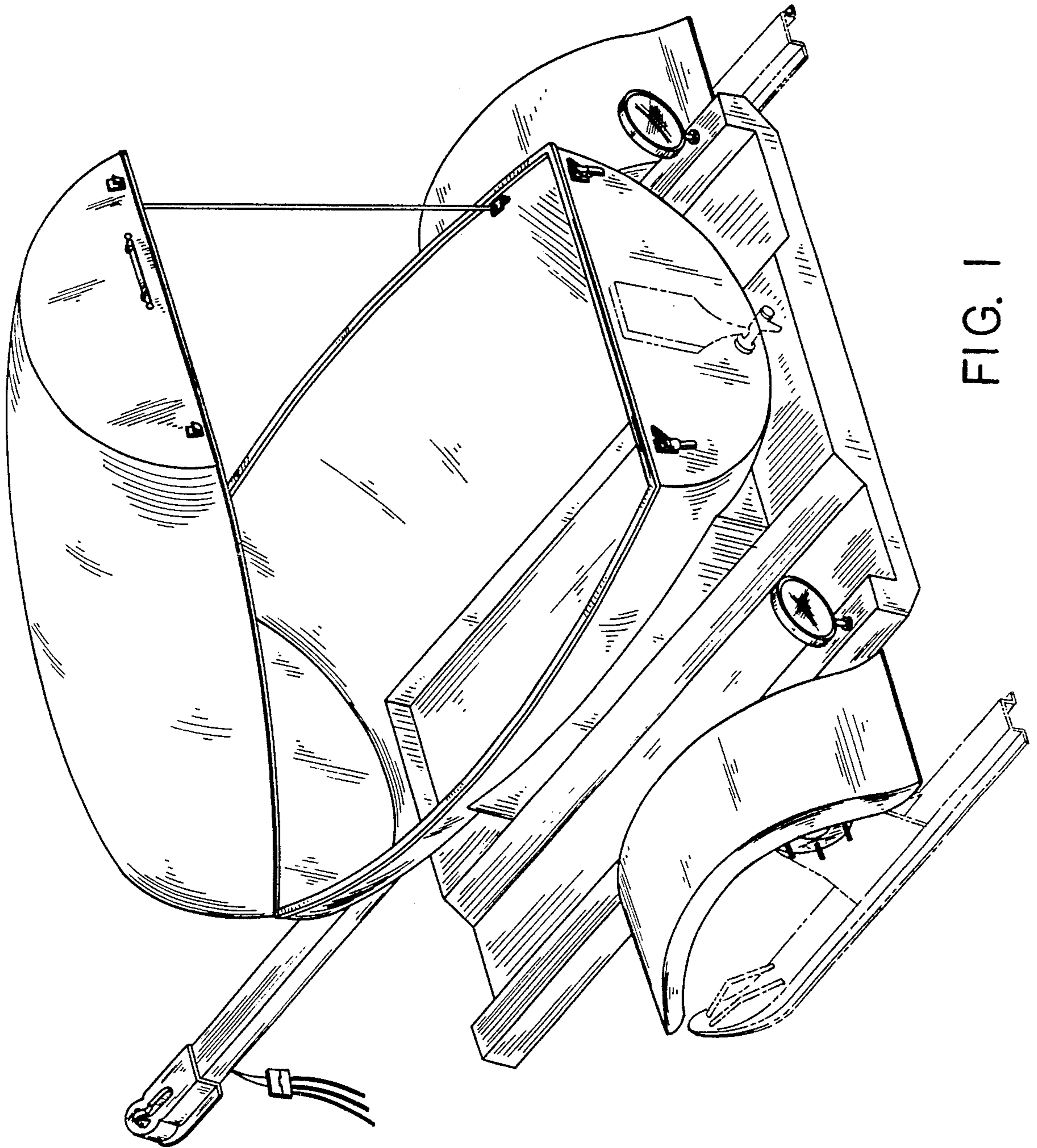


FIG. 1

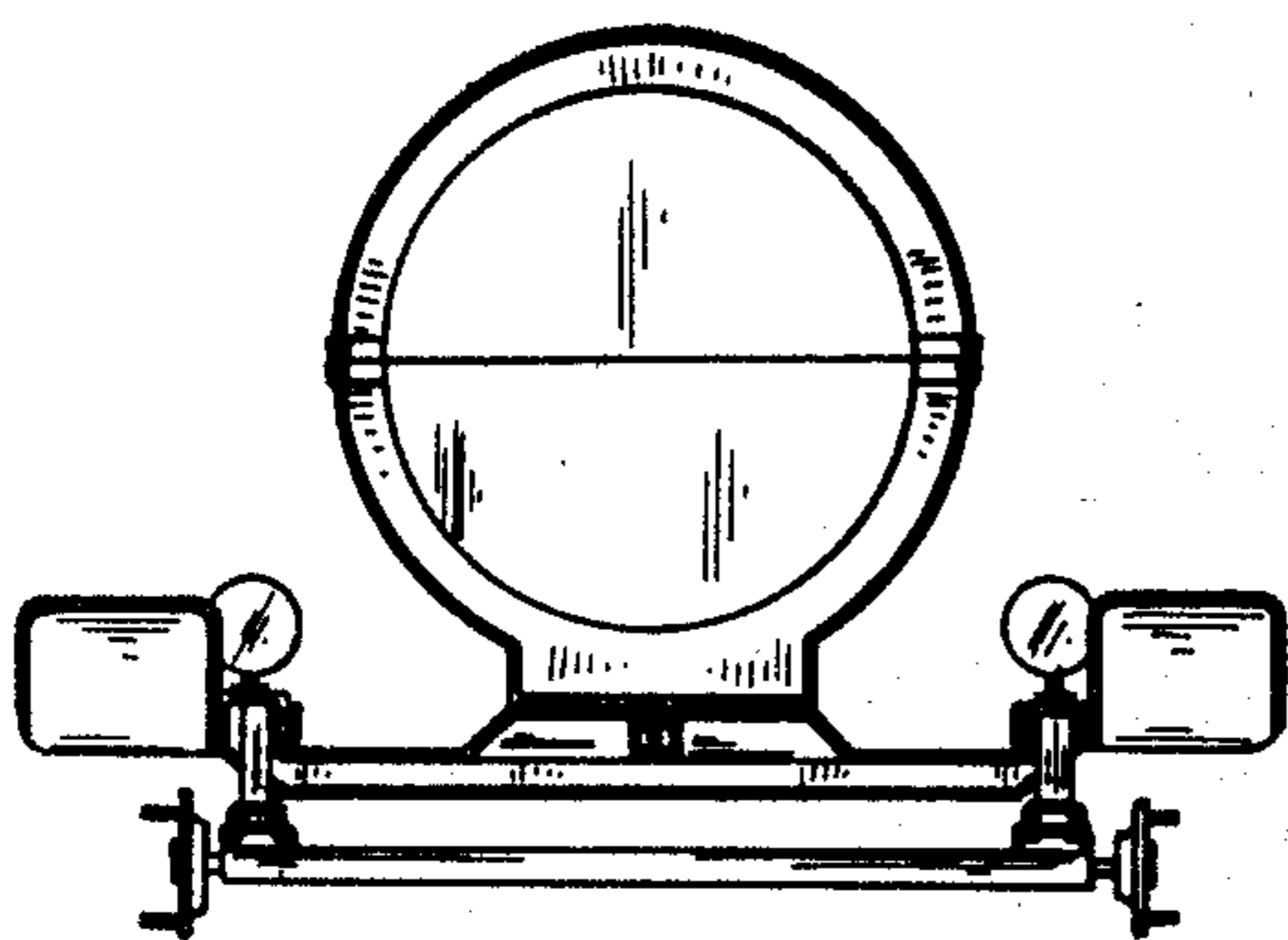


FIG. 7

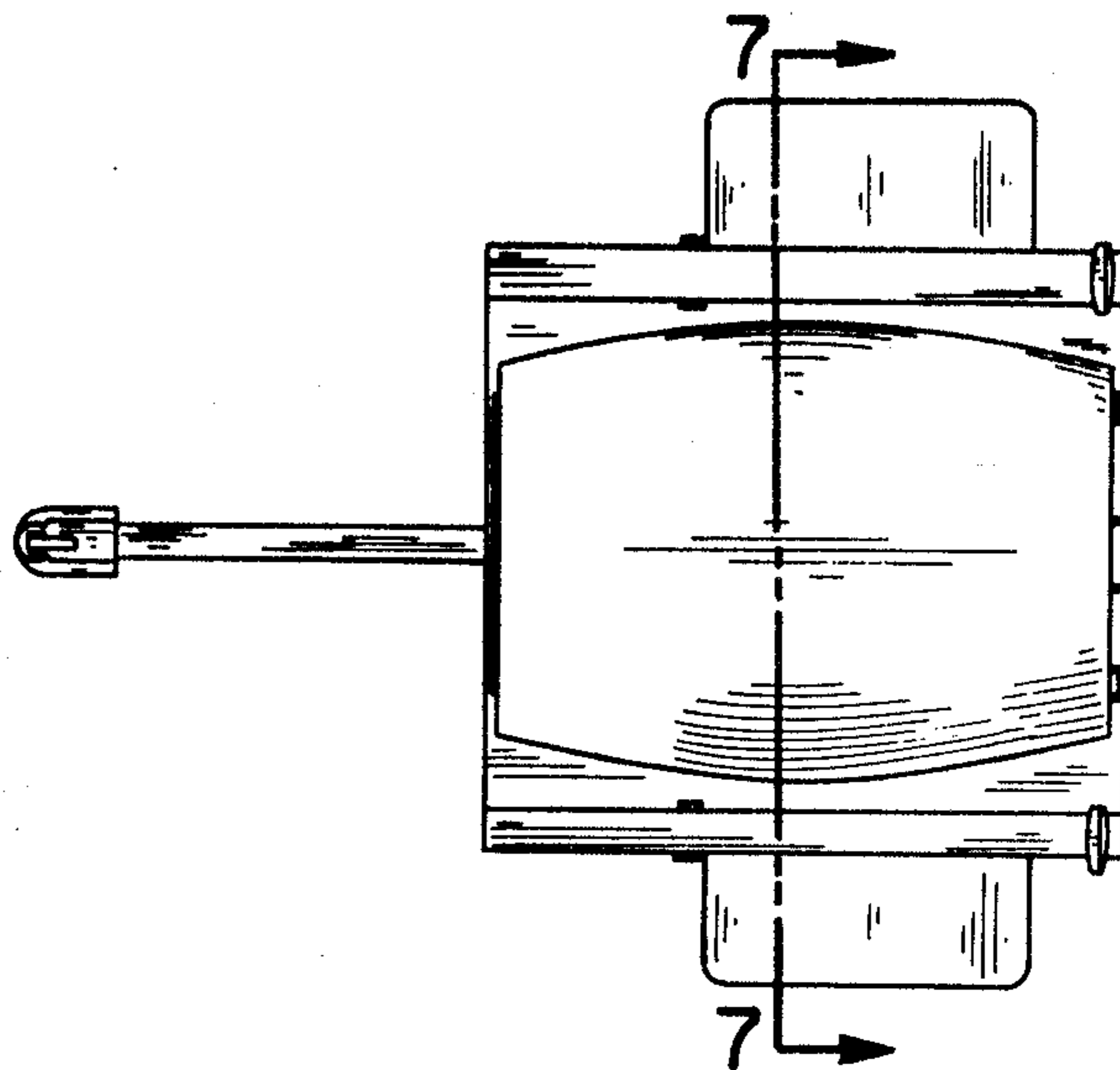


FIG. 2

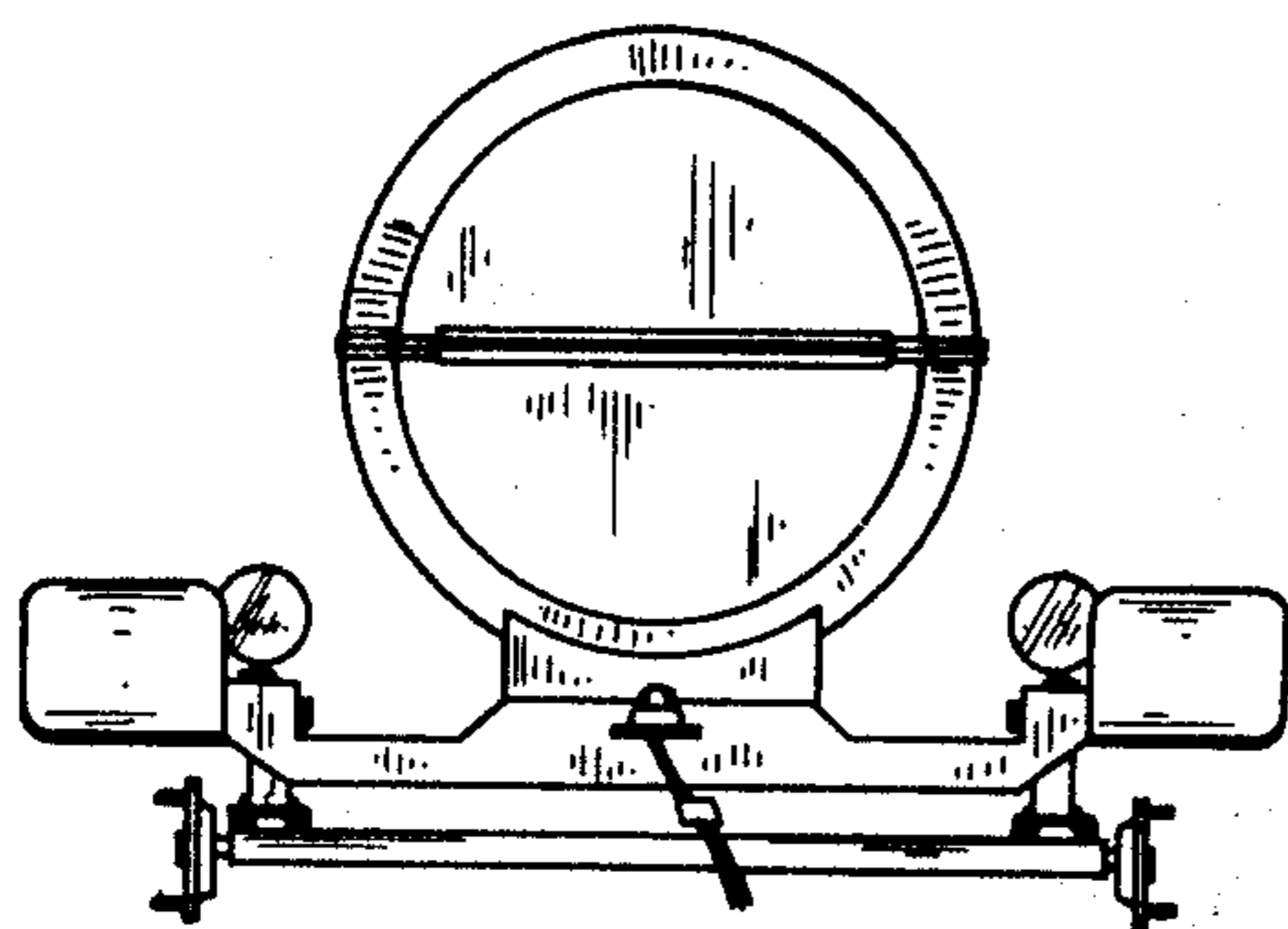


FIG. 4

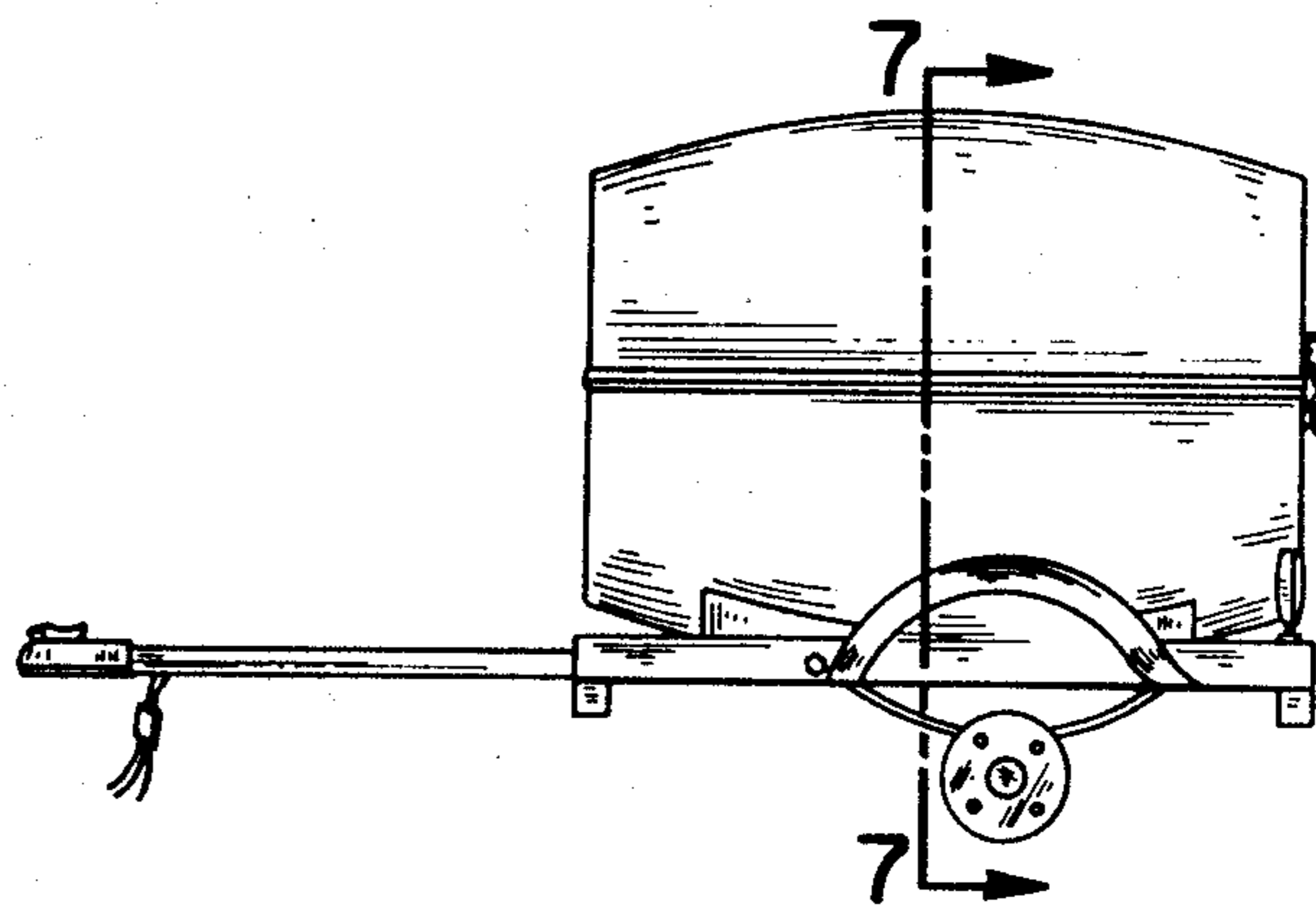


FIG. 5

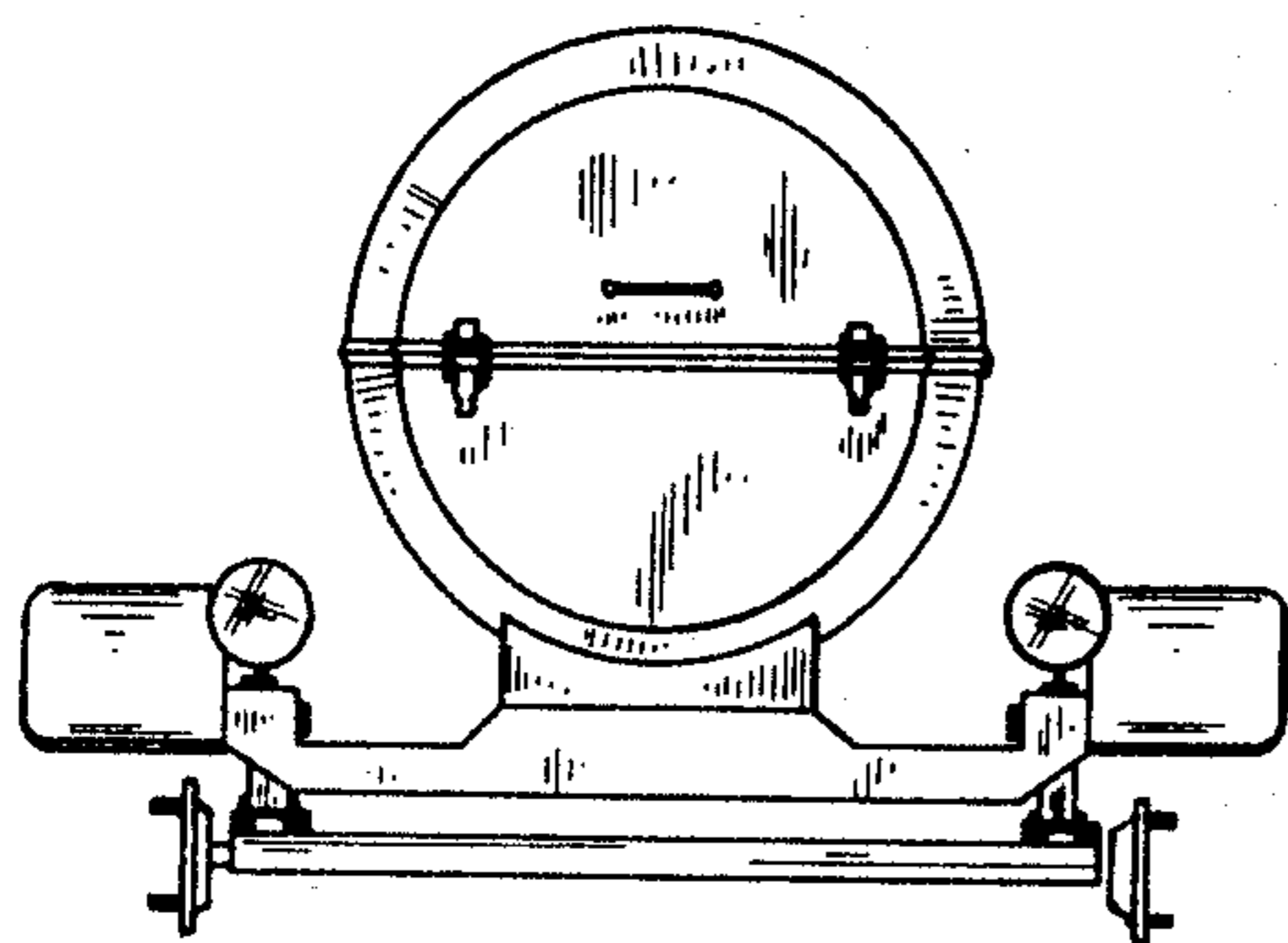


FIG. 3

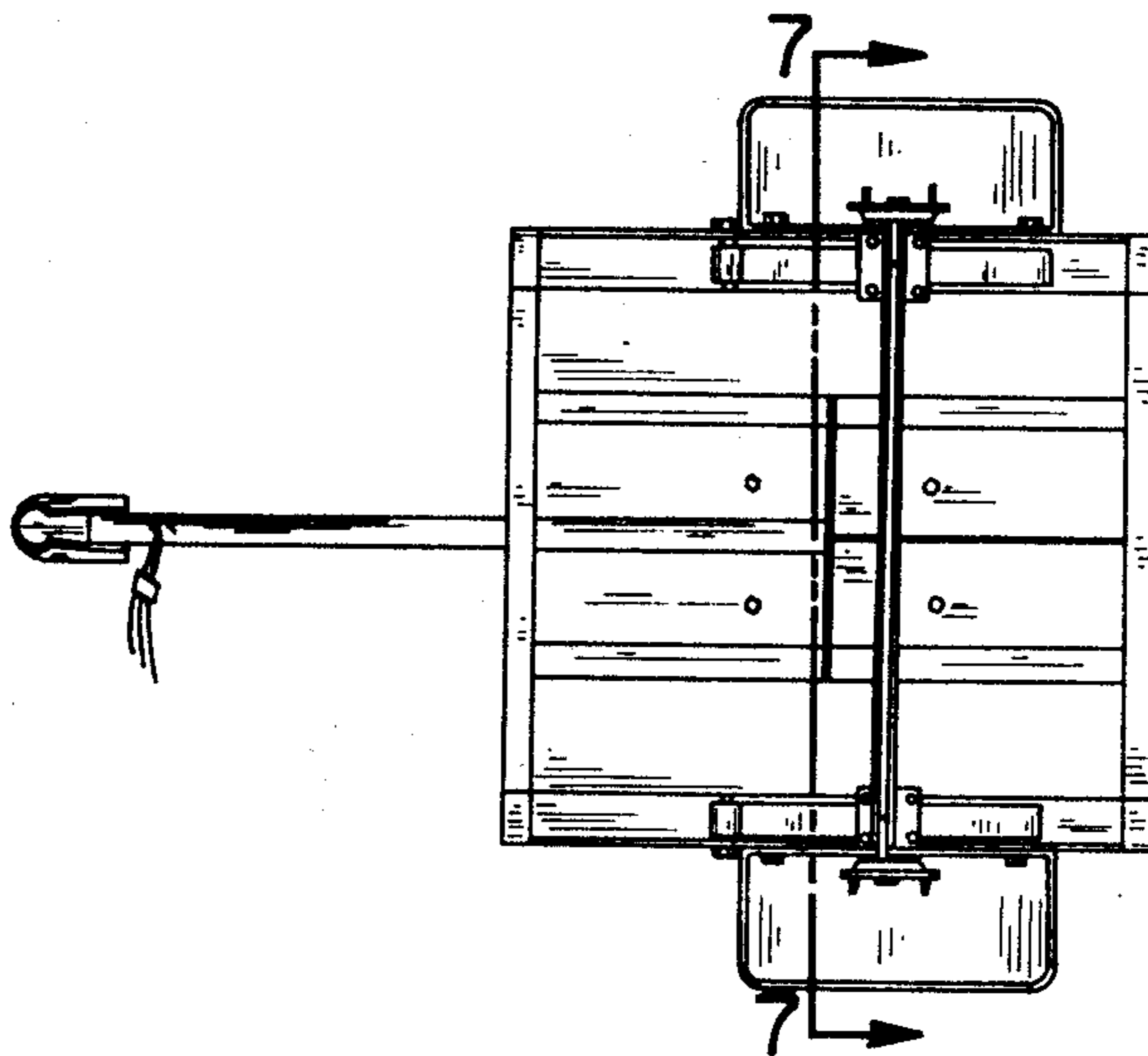


FIG. 6