

[54] MOTORCYCLE TRAILER

[76] Inventor: Eugene L. Wilson, 19696 Mahogany, Bend, Oreg. 97702

[**] Term: 14 Years

[21] Appl. No.: 365,363

[22] Filed: Apr. 5, 1982

[52] U.S. Cl. D12/102

[58] Field of Search D12/102; 280/204, 656, 280/63; 296/181

[56] References Cited

U.S. PATENT DOCUMENTS

D. 176,334 12/1955 Holmes D12/102

D. 191,701 11/1961 Brainard D12/102
D. 218,885 10/1970 Pietropaolo D12/102
D. 240,213 6/1976 Beckwith, Jr. D12/102

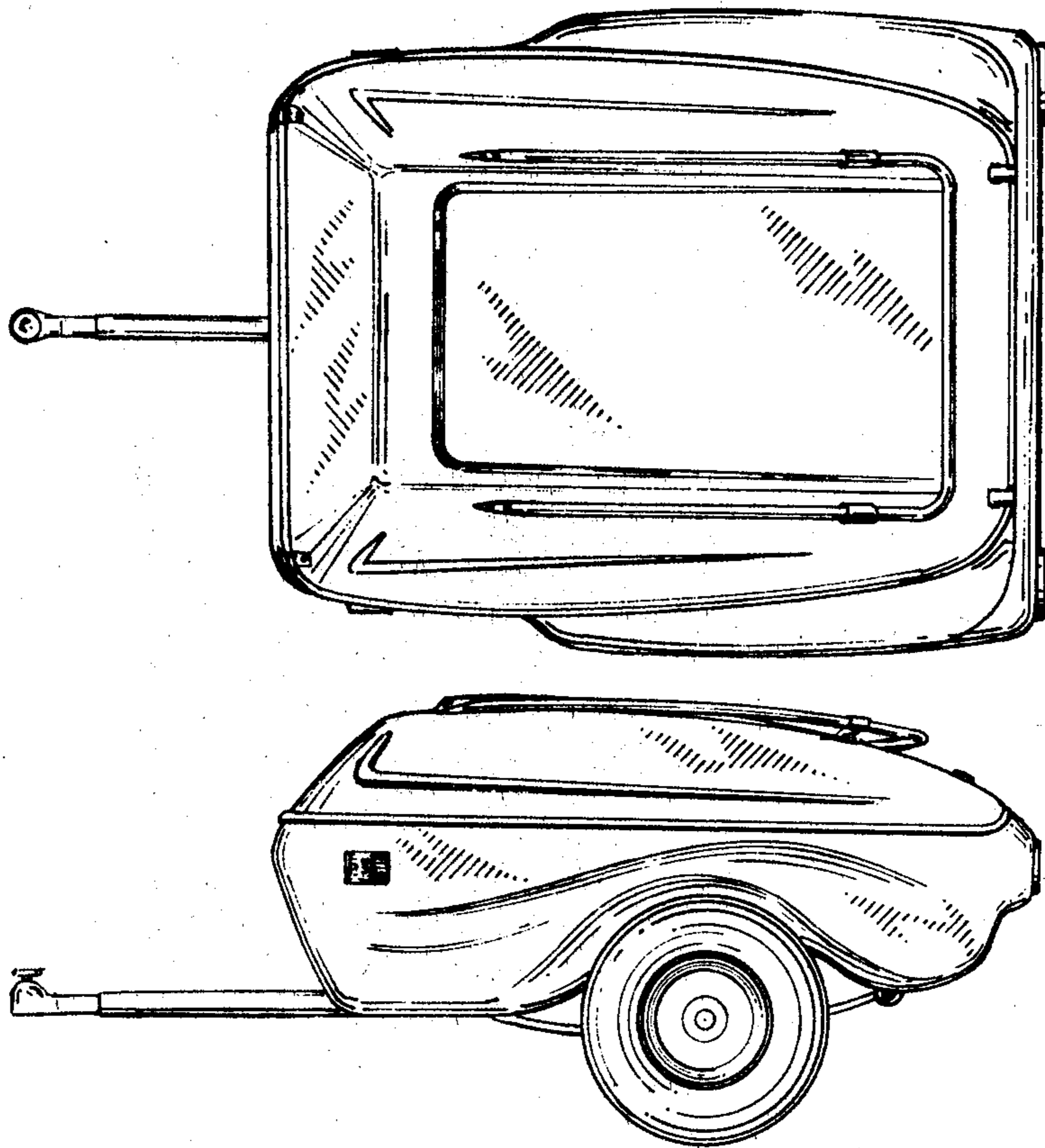
Primary Examiner—James M. Gandy
Attorney, Agent, or Firm—Grover A. Frater

[57] CLAIM

The ornamental design for a motorcycle trailer, as shown.

DESCRIPTION

FIG. 1 is a top plan view of my new motorcycle trailer; FIG. 2 is a view in side elevation thereof; FIG. 3 is a bottom view thereof; FIG. 4 is a view in rear elevation thereof; and FIG. 5 is a view in front elevation thereof.



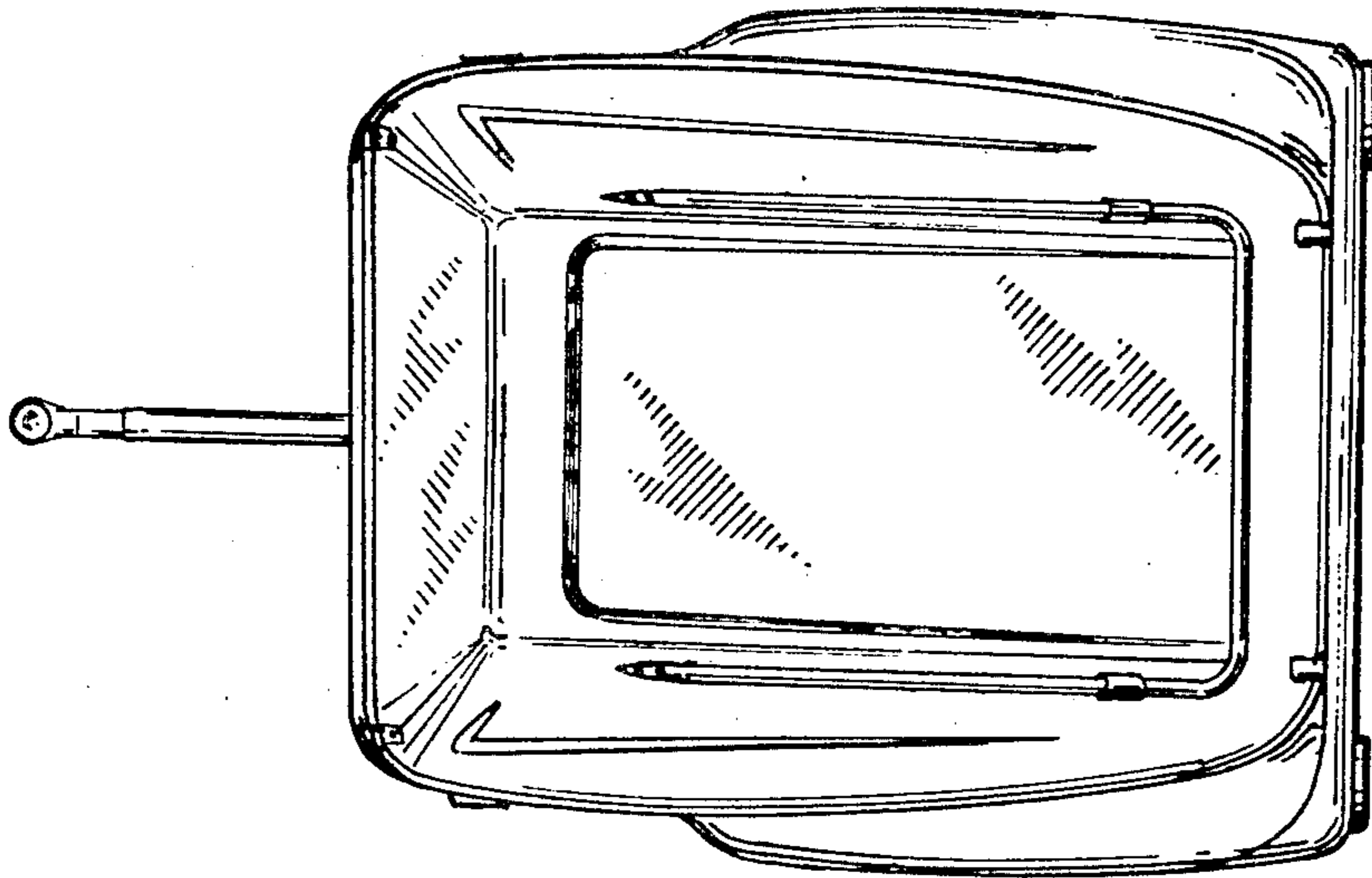


FIG. 1

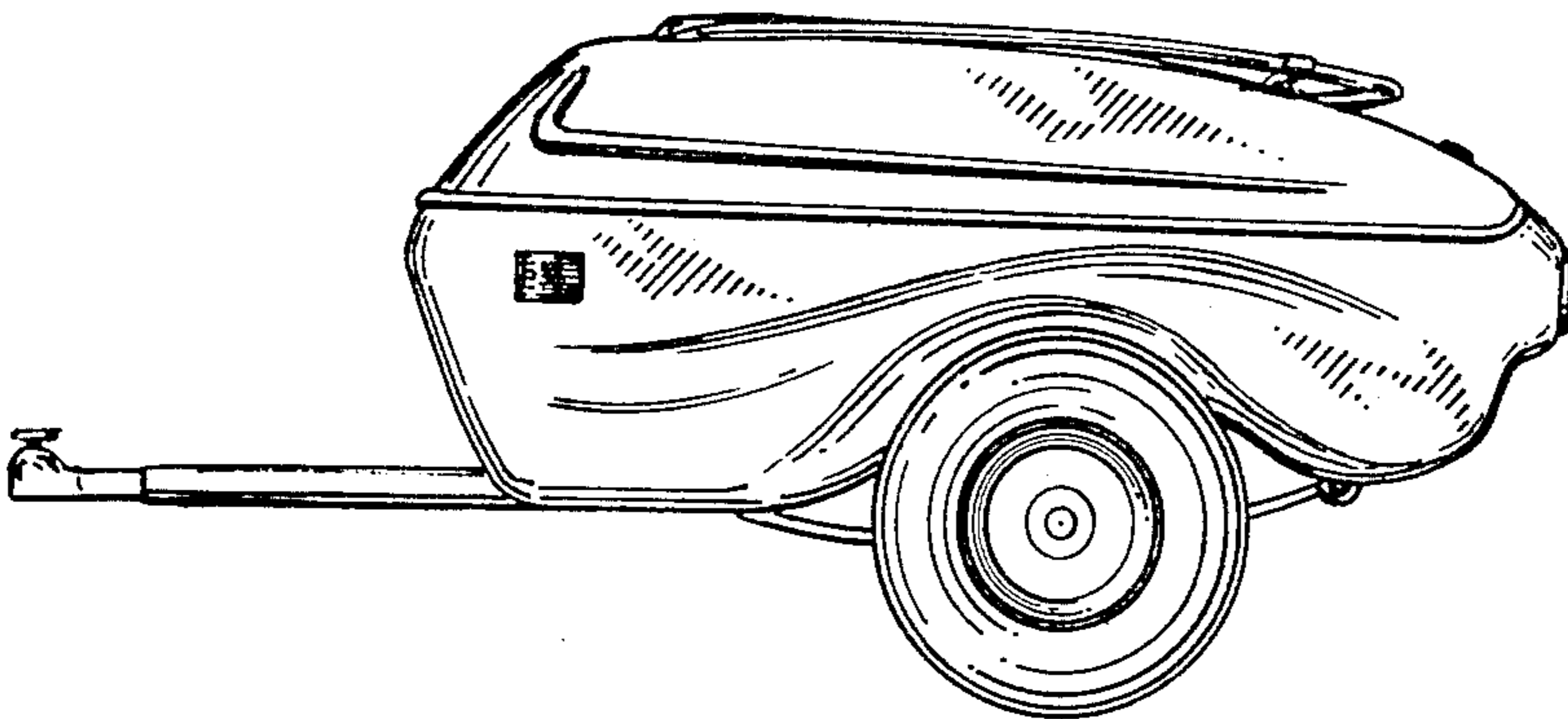


FIG. 2

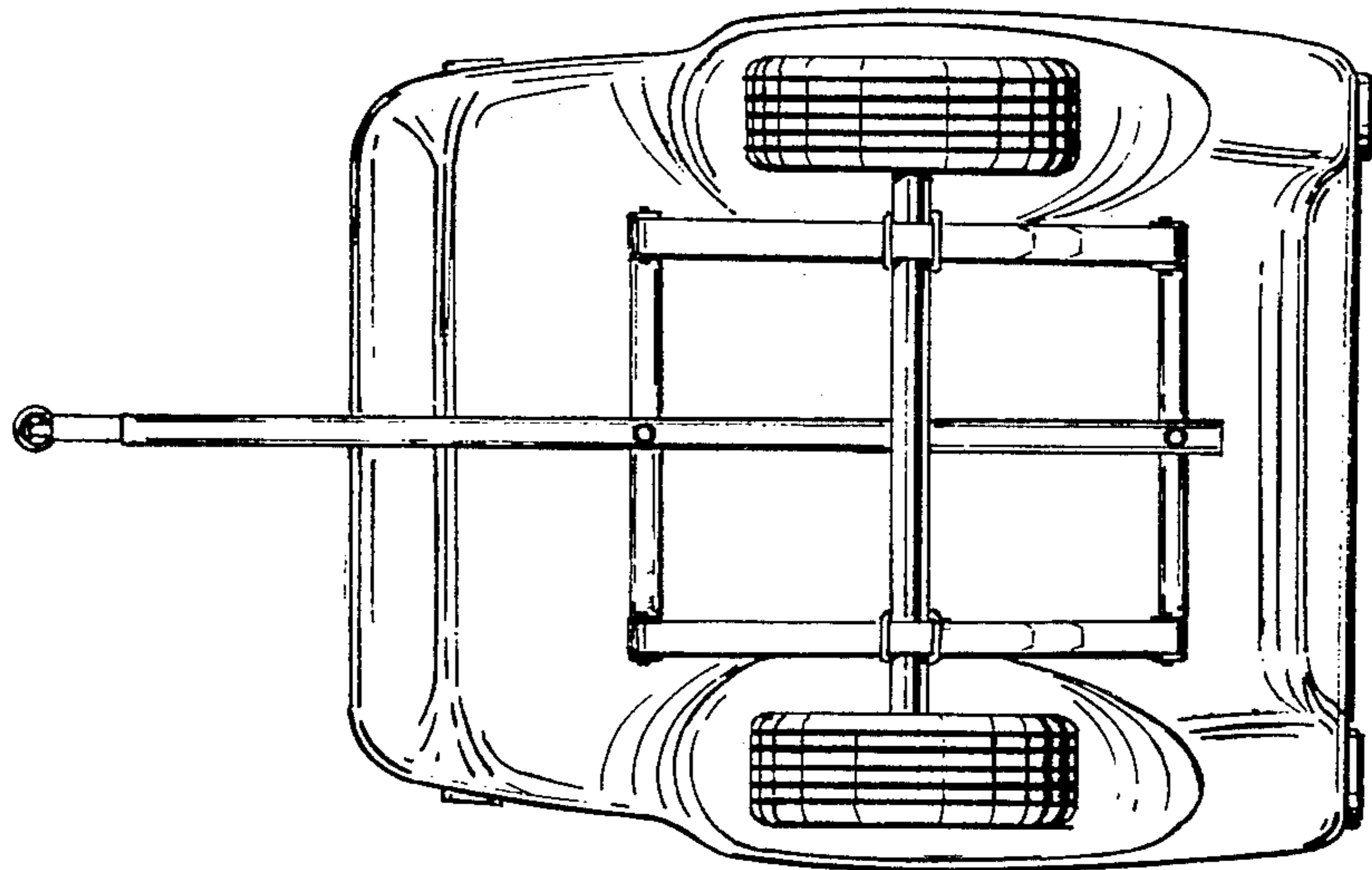


FIG. 3

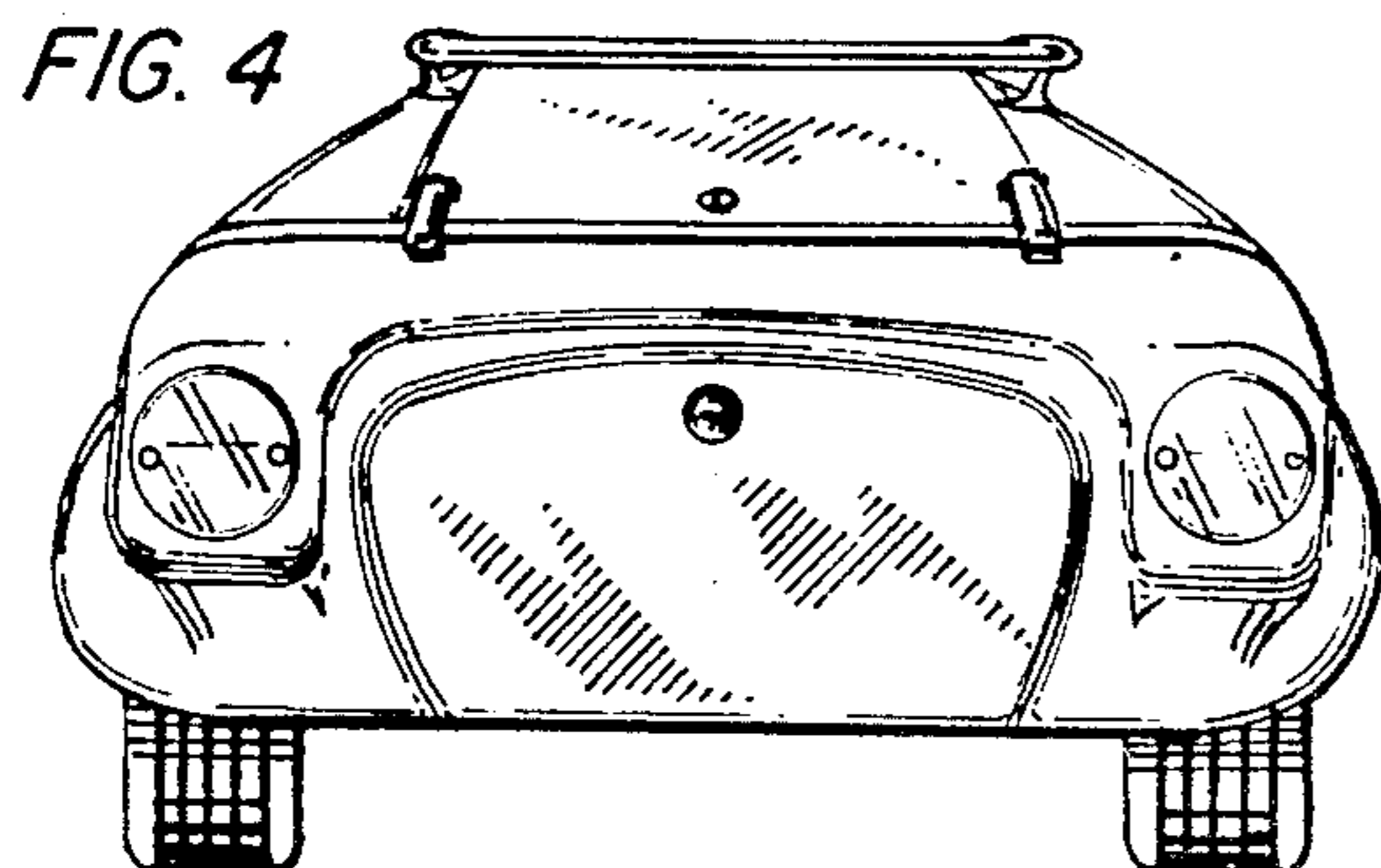


FIG. 4

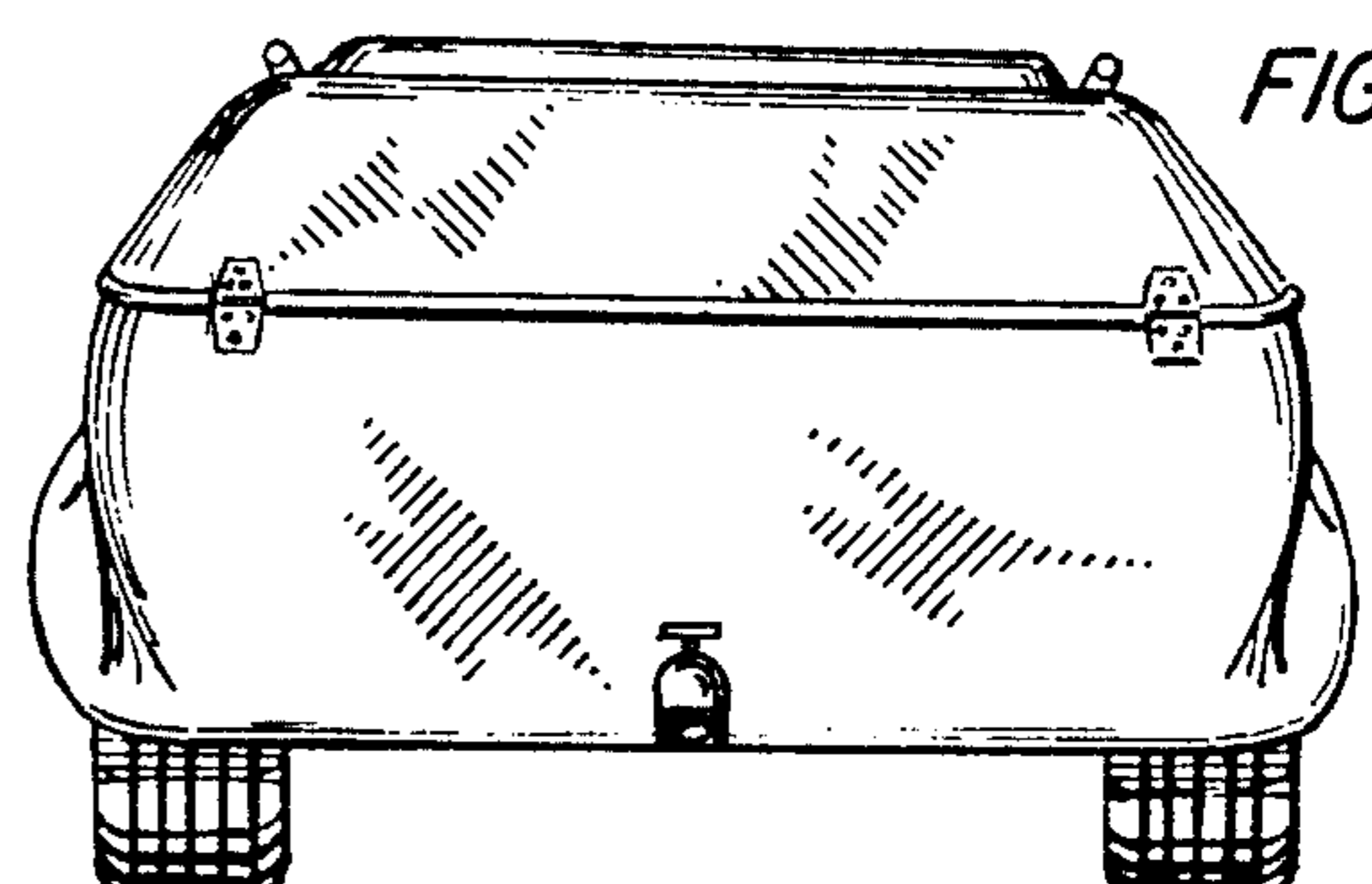


FIG. 5