

[54] DIGITAL WEIGHT SCALE

D. 173,913 1/1955 Reinecke D10/92

[75] Inventors: John T. Houlihan, Watertown;
Alvaro Correa, Cheshire, both of
Conn.

[73] Assignee: Timex Medical Products Corporation,
Waterbury, Conn.

[**] Term: 14 Years

[21] Appl. No.: 433,948

[22] Filed: Oct. 12, 1982

[52] U.S. Cl. D10/92

[58] Field of Search D10/91, 92, 94;
177/177, 256, 239, DIG. 3, 25, 200, 210 R

[56] References Cited

U.S. PATENT DOCUMENTS

- D. 102,272 12/1936 Greenleaf D10/92
- D. 142,064 8/1945 Chapman D10/92

OTHER PUBLICATIONS

- Housewares Review*-1/61 p. 149, Scale at top.
- Housewares*-7/17/80 p. 97, Scale at center.
- Home Furn. Daily*-11/17/60 p. 21, Scales at center.
- Housewares*-7/1/78 p., Inside of back cover-Scale at center.

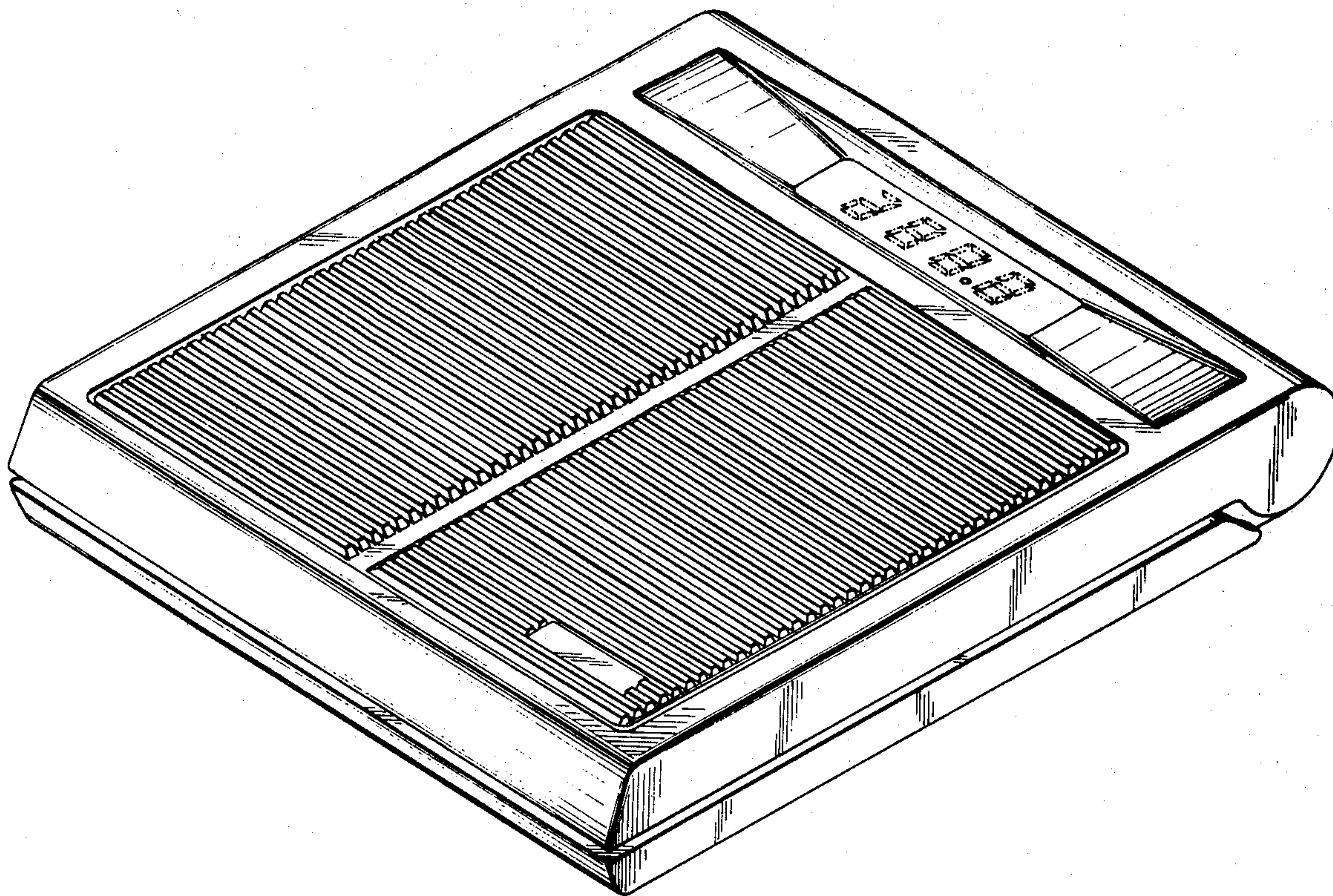
Primary Examiner—Nelson C. Holtje
Attorney, Agent, or Firm—William C. Crutcher

[57] CLAIM

The ornamental design for a digital weight scale, as shown.

DESCRIPTION

FIG. 1 is a top and right-front perspective view of a digital weight scale showing our new design; FIG. 2 is a left side elevational view thereof; FIG. 3 is a rear elevational view thereof; FIG. 4 is a bottom plan view thereof.



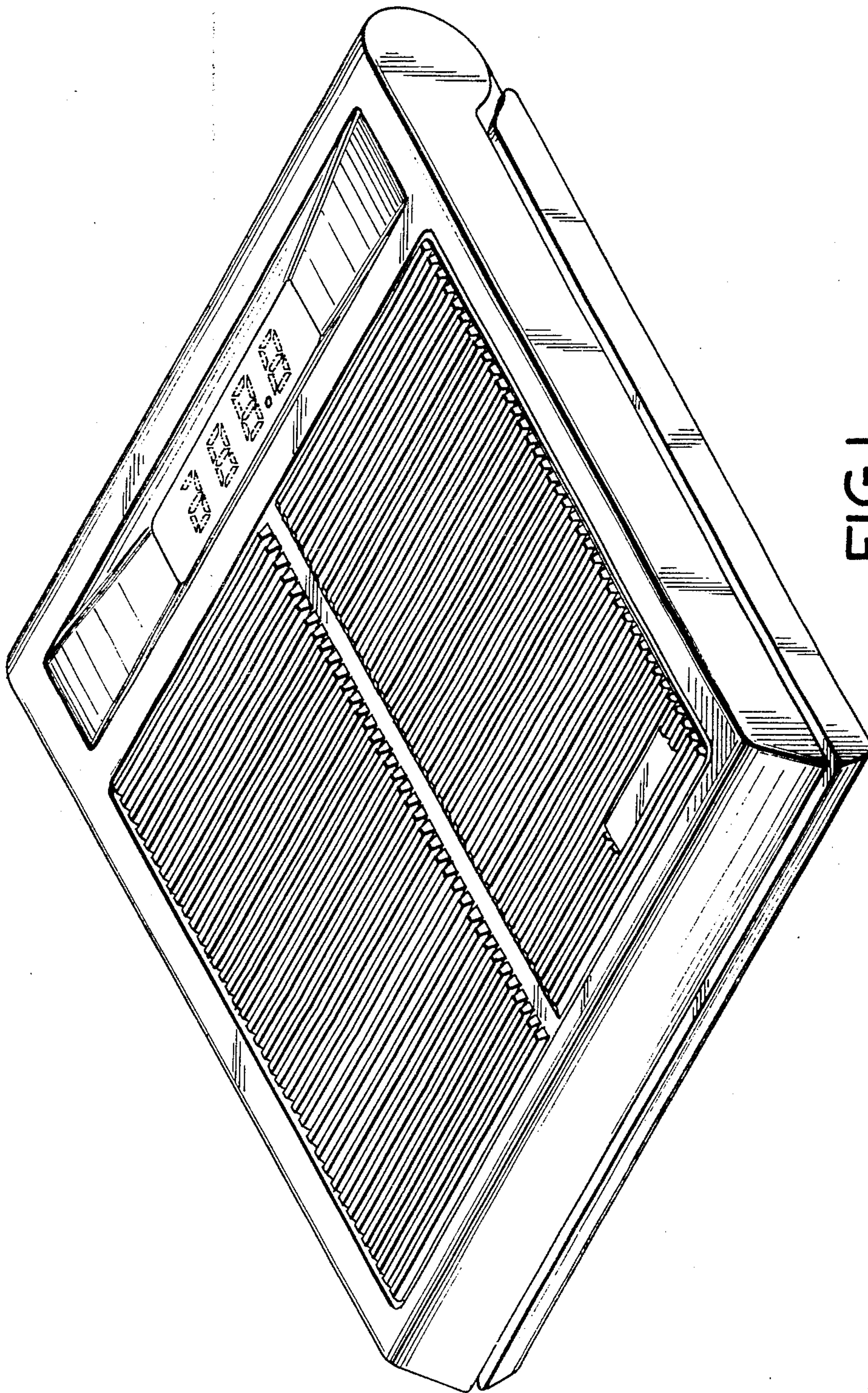


FIG. 1

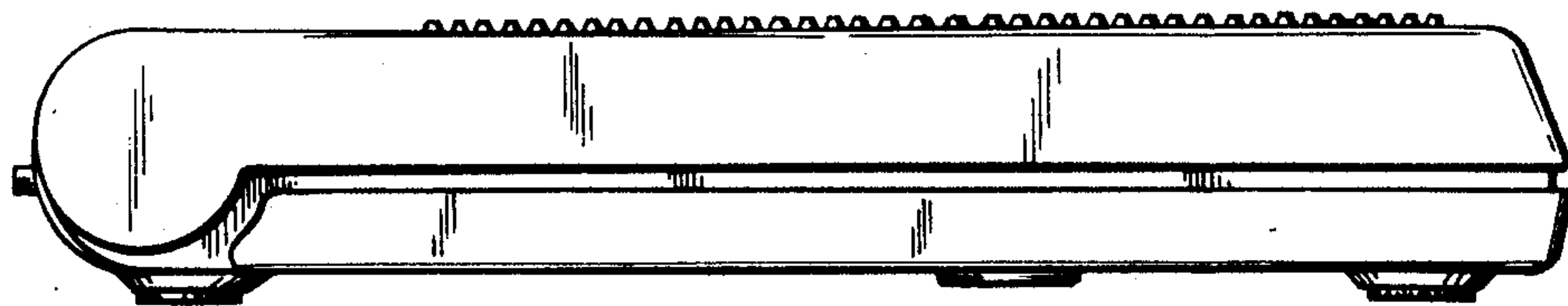


FIG. 2

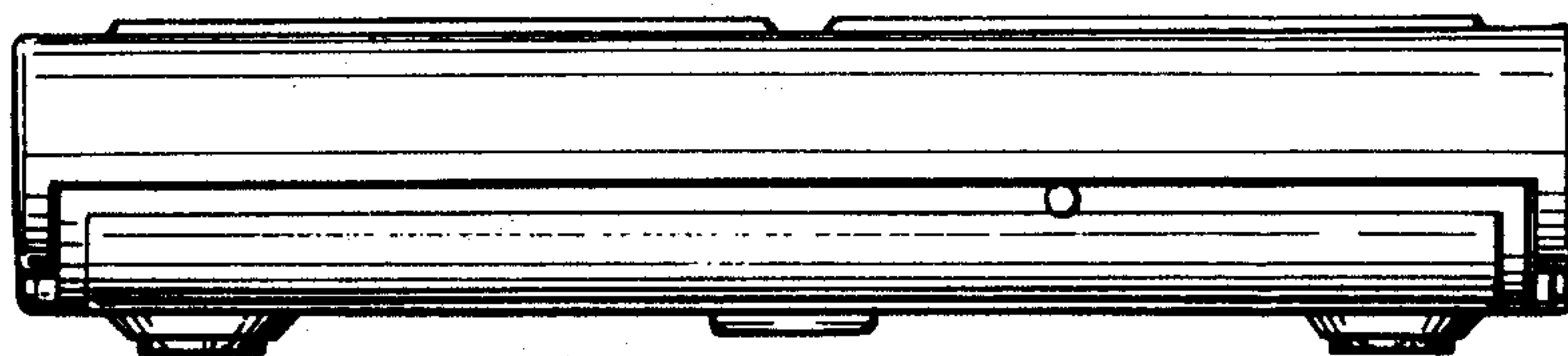


FIG. 3

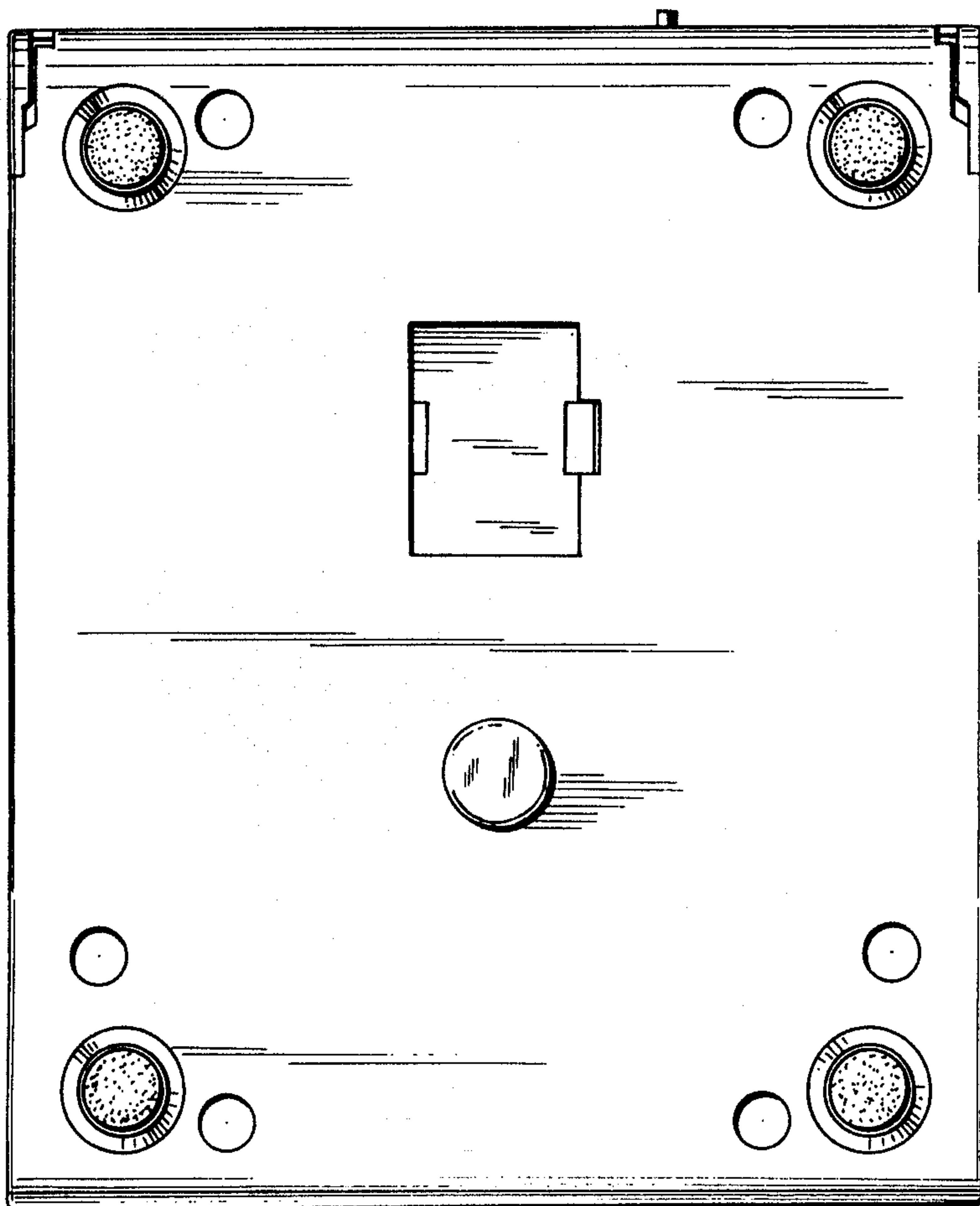


FIG. 4