

[54] PORTABLE SONAR GUN

[75] Inventors: Kenneth P. Wilbert; William P. Freymuth; Kyle R. Shelton; James W. Boling, all of Tulsa, Okla.

[73] Assignees: Wilbert Enterprises, Inc.; Sebastian Technologies Inc.; General Design, Inc., all of Tulsa, Okla.

[\*\*] Term: 14 Years

[21] Appl. No.: 342,115

[22] Filed: Jan. 25, 1982

[52] U.S. Cl. .... D10/46

[58] Field of Search ..... D10/46, 70, 57, 102, D10/103, 47; 367/87, 910, 108; 33/126

[56] References Cited

U.S. PATENT DOCUMENTS

- D. 215,238 9/1969 Seidel ..... D10/46
- D. 231,739 6/1974 Gauthier ..... D10/46
- D. 234,047 1/1975 Murdock ..... D10/46
- D. 237,471 11/1975 Richmann ..... D10/46

- D. 245,584 8/1977 Byram ..... D10/47
- D. 254,959 5/1980 Everest ..... D10/47 X
- D. 264,191 5/1982 Jondrow ..... D10/46
- 4,281,404 7/1981 Morrow ..... 367/910 X

OTHER PUBLICATIONS

Design News -9/30/60-p. 42-Radiation Monitor at right.

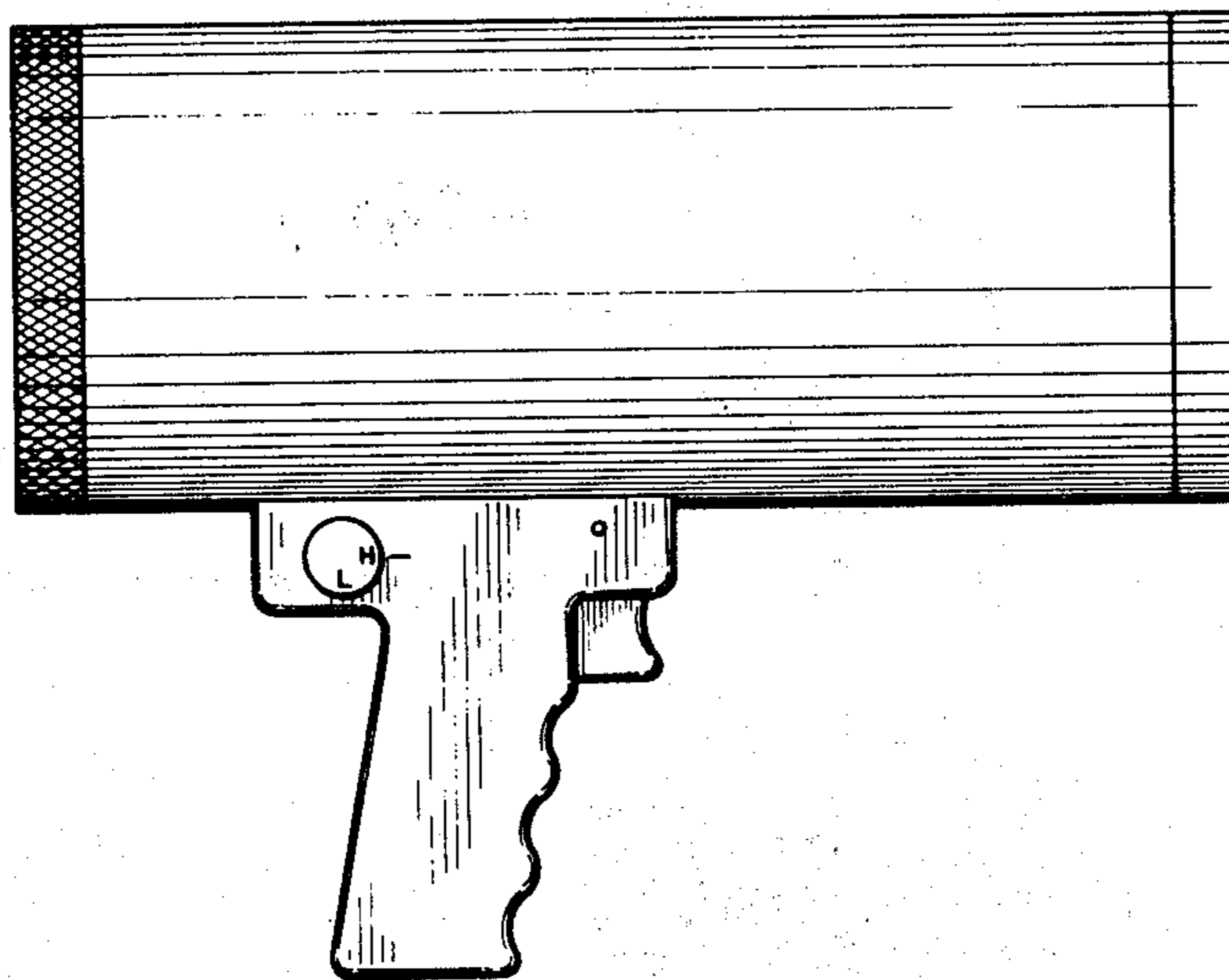
Primary Examiner—Nelson C. Holtje  
Attorney, Agent, or Firm—William S. Dorman

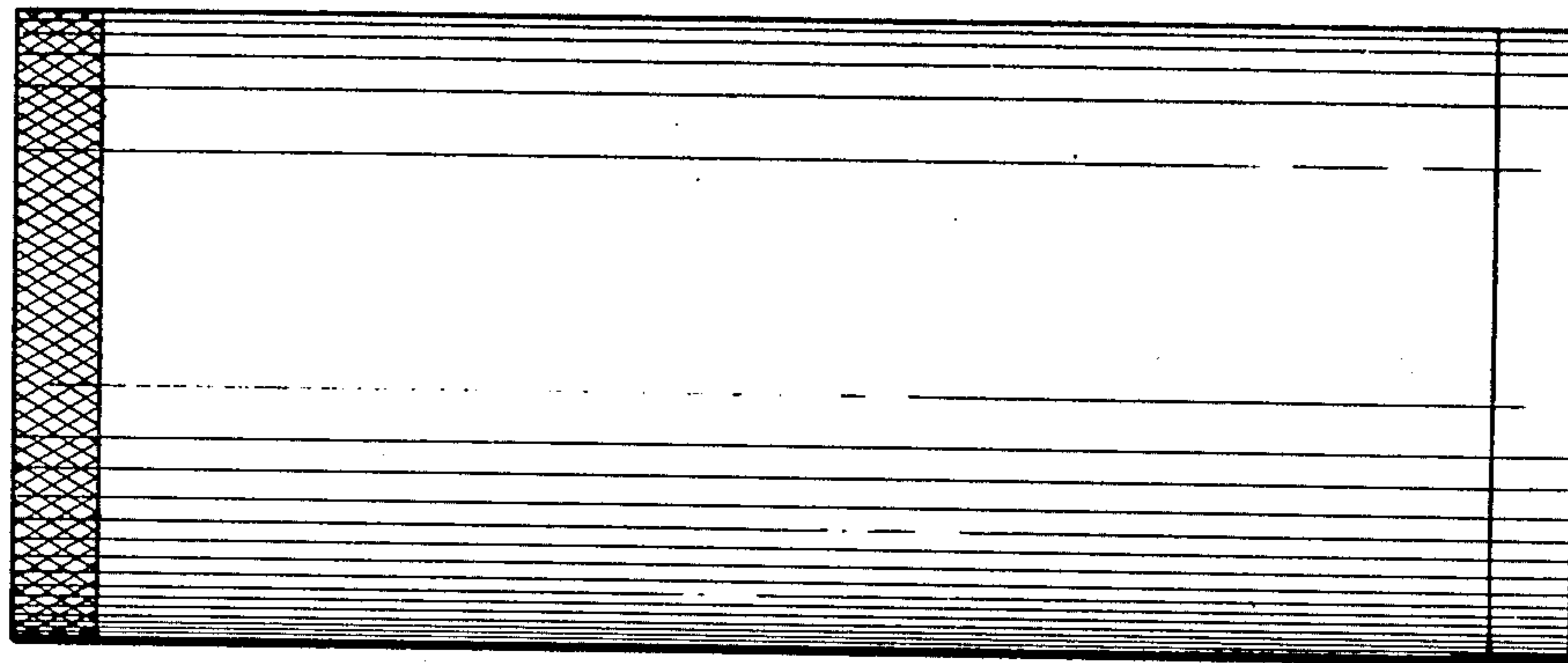
[57] CLAIM

The ornamental design for a portable sonar gun, as shown and described.

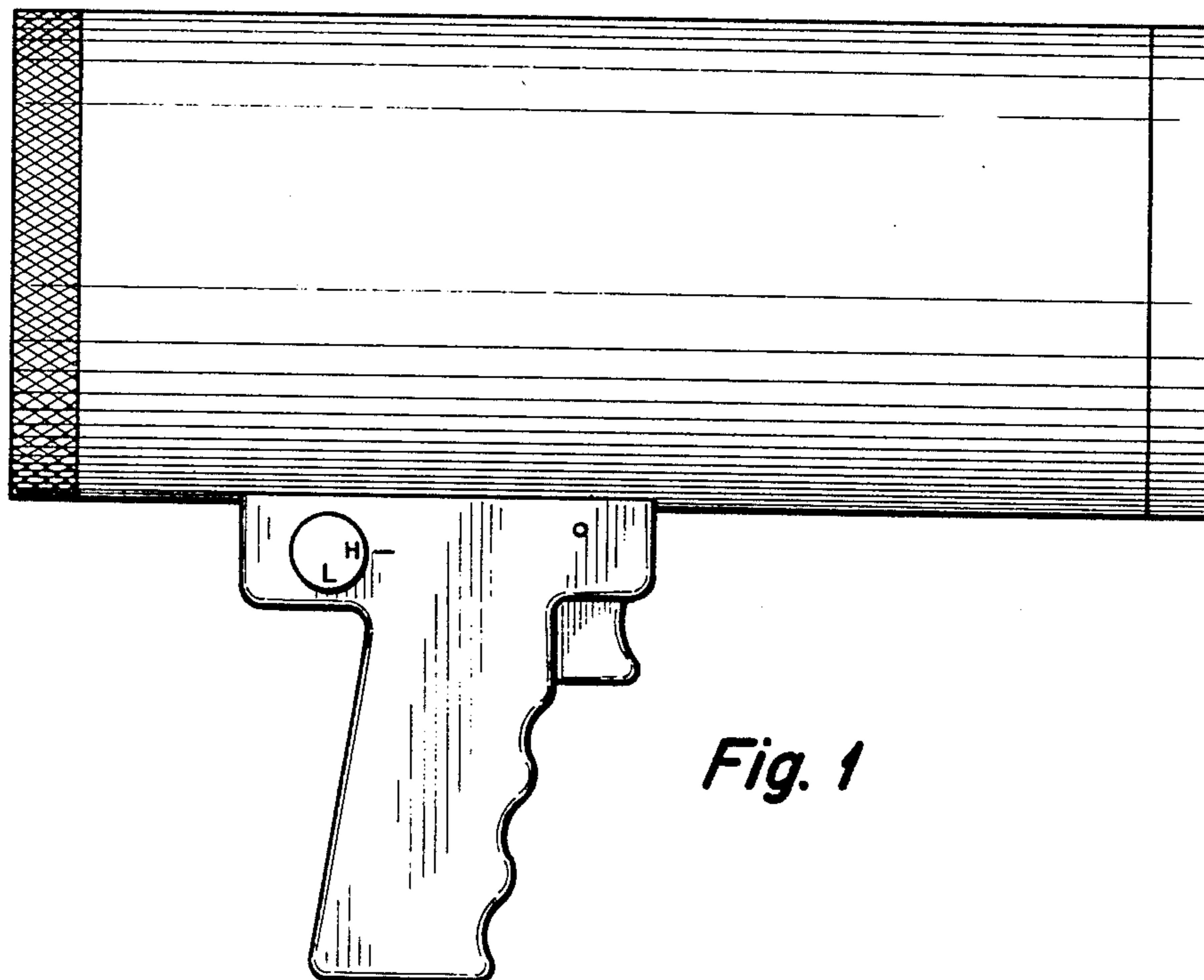
DESCRIPTION

FIG. 1 is a front elevational view of a portable sonar gun showing our new design;  
 FIG. 2 is a top plan view thereof;  
 FIG. 3 is a bottom plan view thereof;  
 FIG. 4 is a right side elevational view thereof;  
 FIG. 5 is a left side elevational view thereof;  
 FIG. 6 is a rear elevational view thereof.

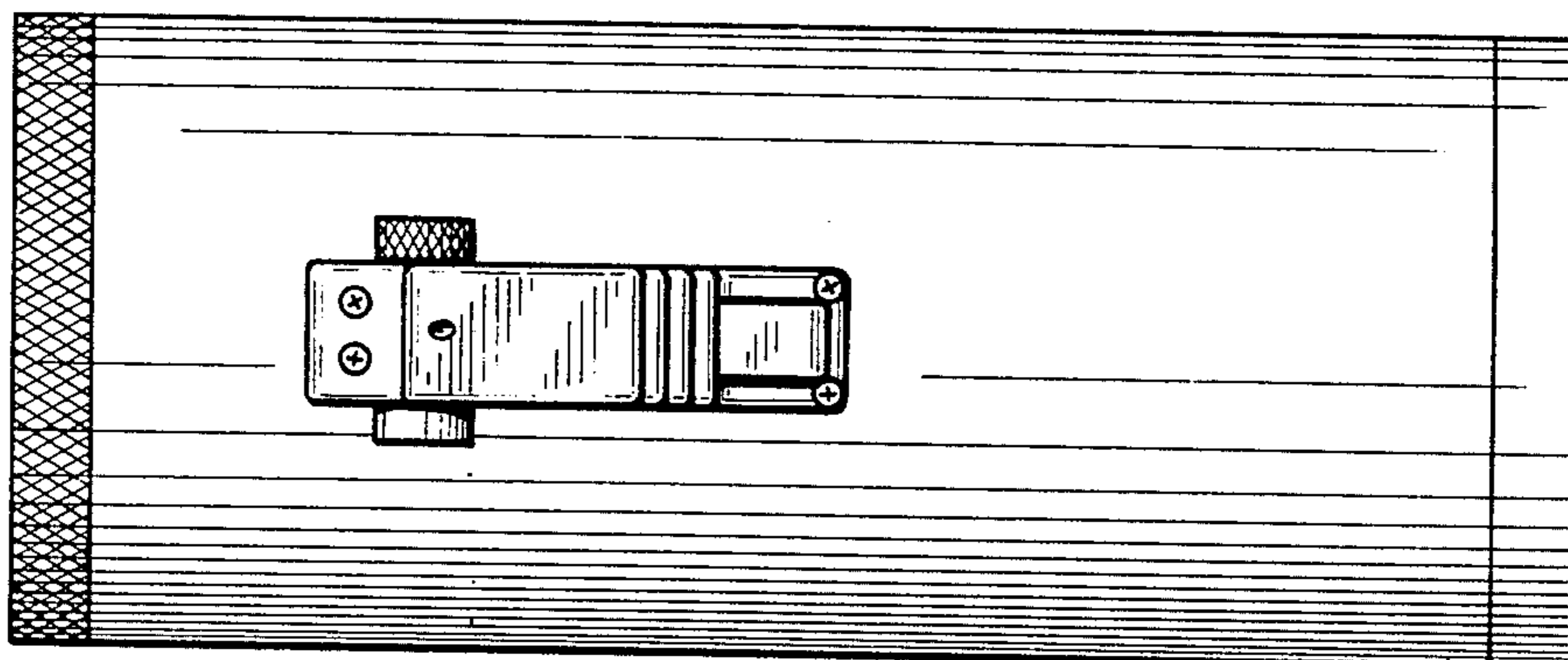




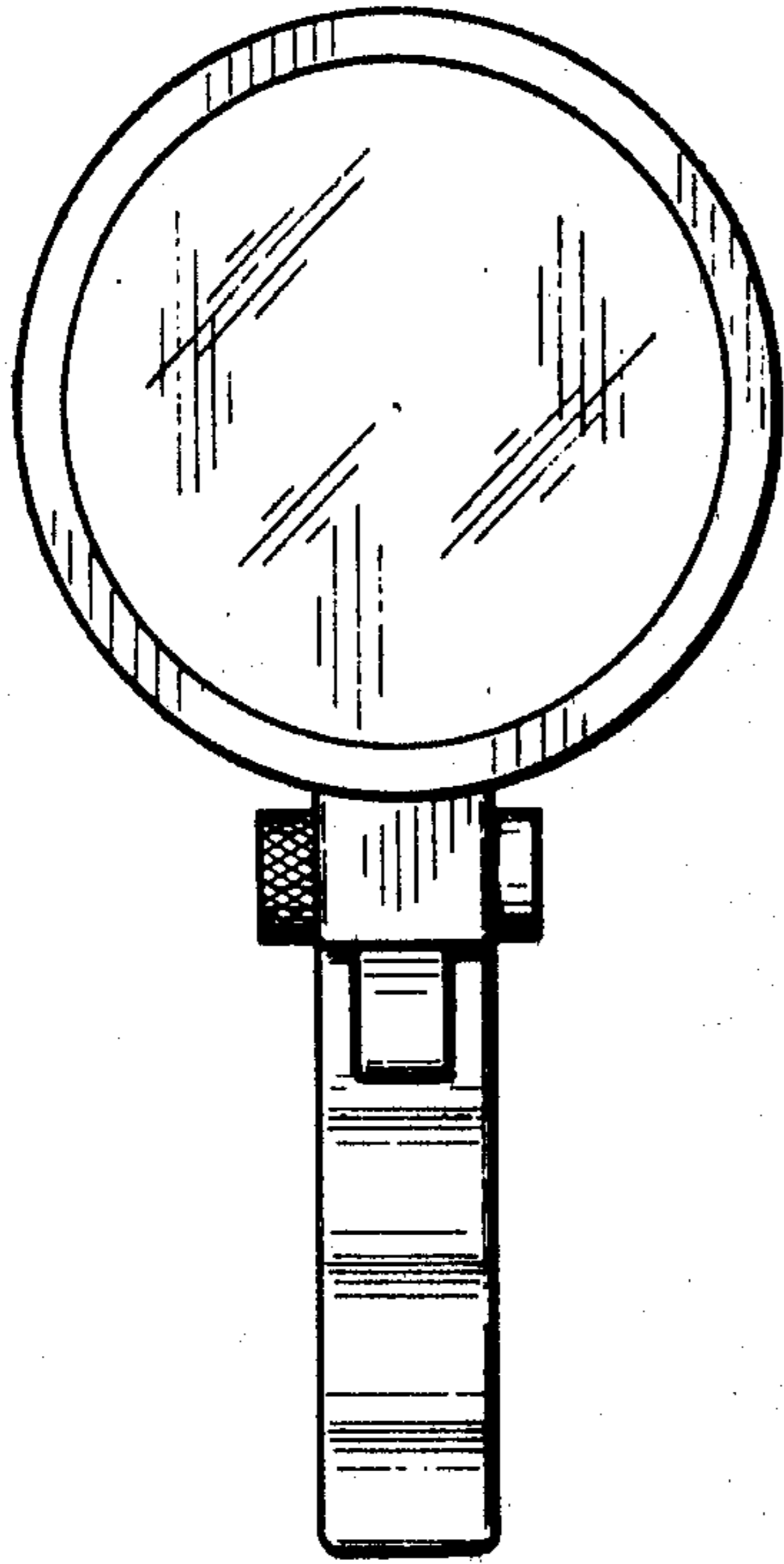
*Fig. 2*



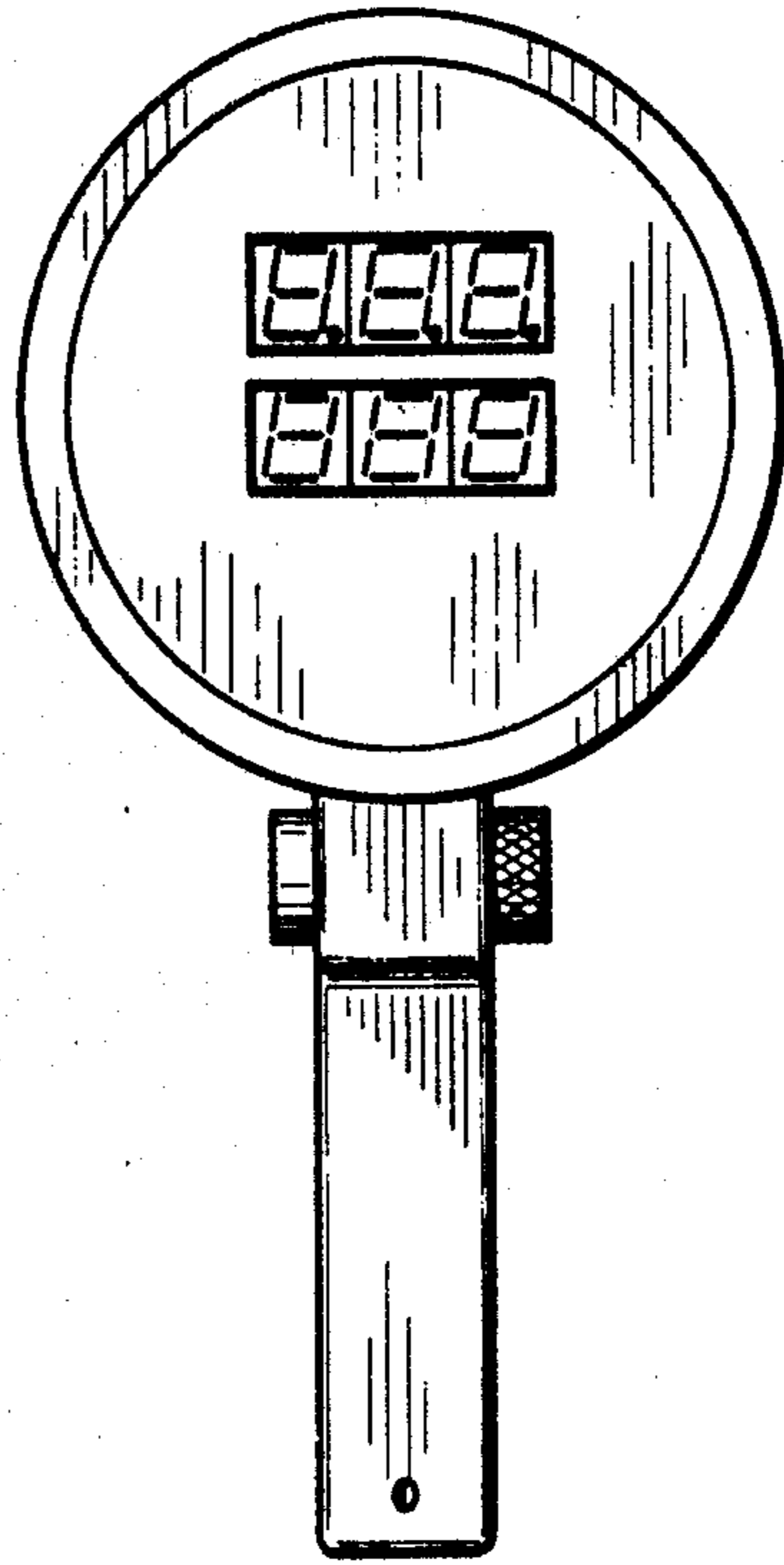
*Fig. 1*



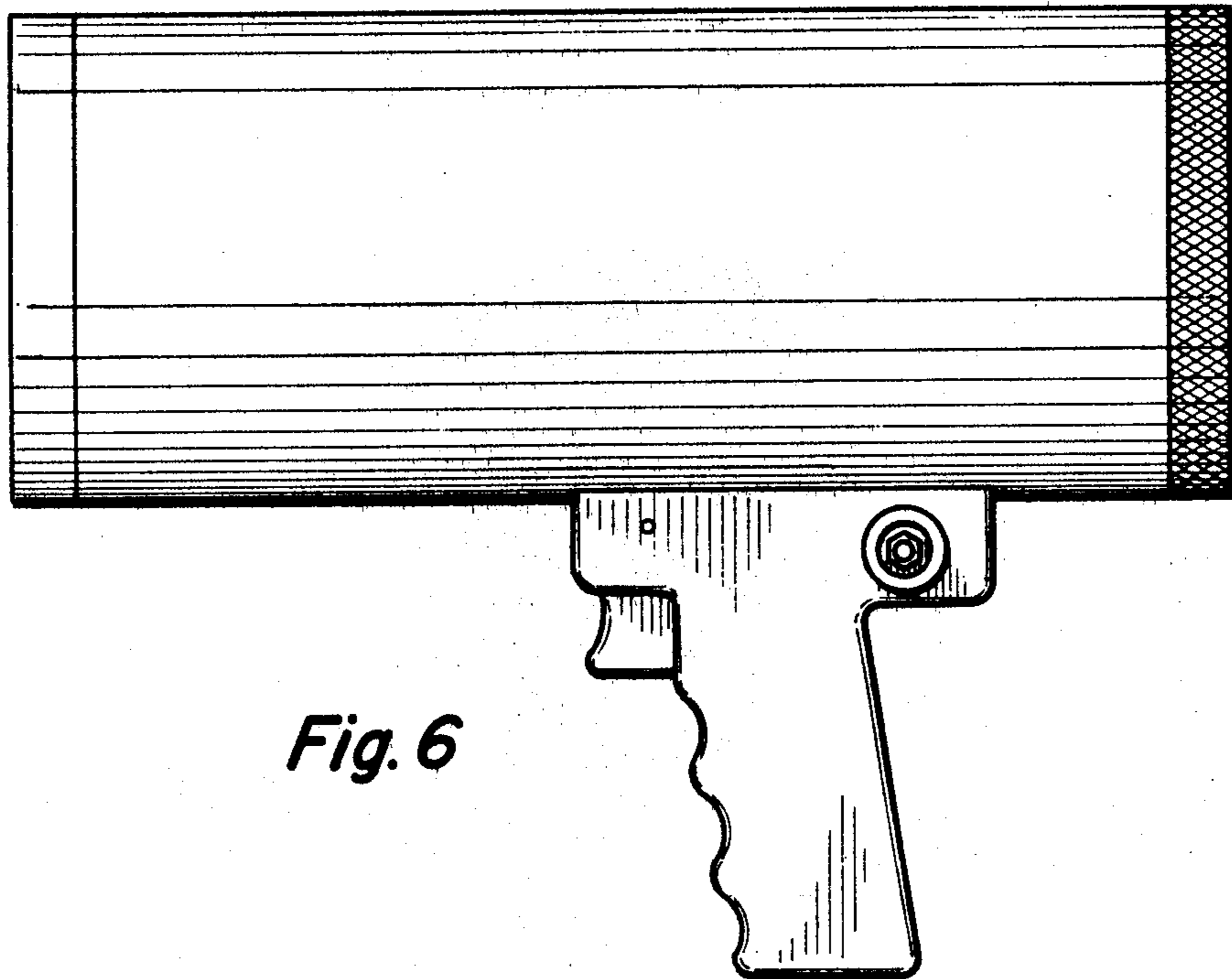
*Fig. 3*



*Fig. 4*



*Fig. 5*



*Fig. 6*