

[54] PACKAGING CONTAINER FOR AMMUNITION

[75] Inventors: Joe Joice, St. Peters, Mo.; John Pardo, Yonkers, N.Y.

[73] Assignee: Olin Corporation, Stamford, Conn.

[\*\*] Term: 14 Years

[21] Appl. No.: 278,789

[22] Filed: Jun. 29, 1981

[52] U.S. Cl. .... D9/341

[58] Field of Search ..... D9/341, 418, 424; 206/507, 3; 229/8

[56] References Cited

U.S. PATENT DOCUMENTS

- 123,884 2/1872 Frazier ..... 206/3
- 129,545 7/1872 Frazier ..... 206/3

- D. 264,810 6/1982 Voltmann ..... D9/341
- 1,343,374 6/1920 Peoples ..... 206/3
- 3,251,528 5/1966 Cilluffo ..... 229/8
- 3,525,425 8/1970 Cramer et al. .... 206/3
- 3,813,987 6/1974 Minneman ..... 206/3
- 4,136,773 1/1979 Booth ..... 206/507
- 4,288,197 9/1981 Gurolnick ..... 206/3

Primary Examiner—Robert C. Spangler  
Attorney, Agent, or Firm—Bruce E. Burdick

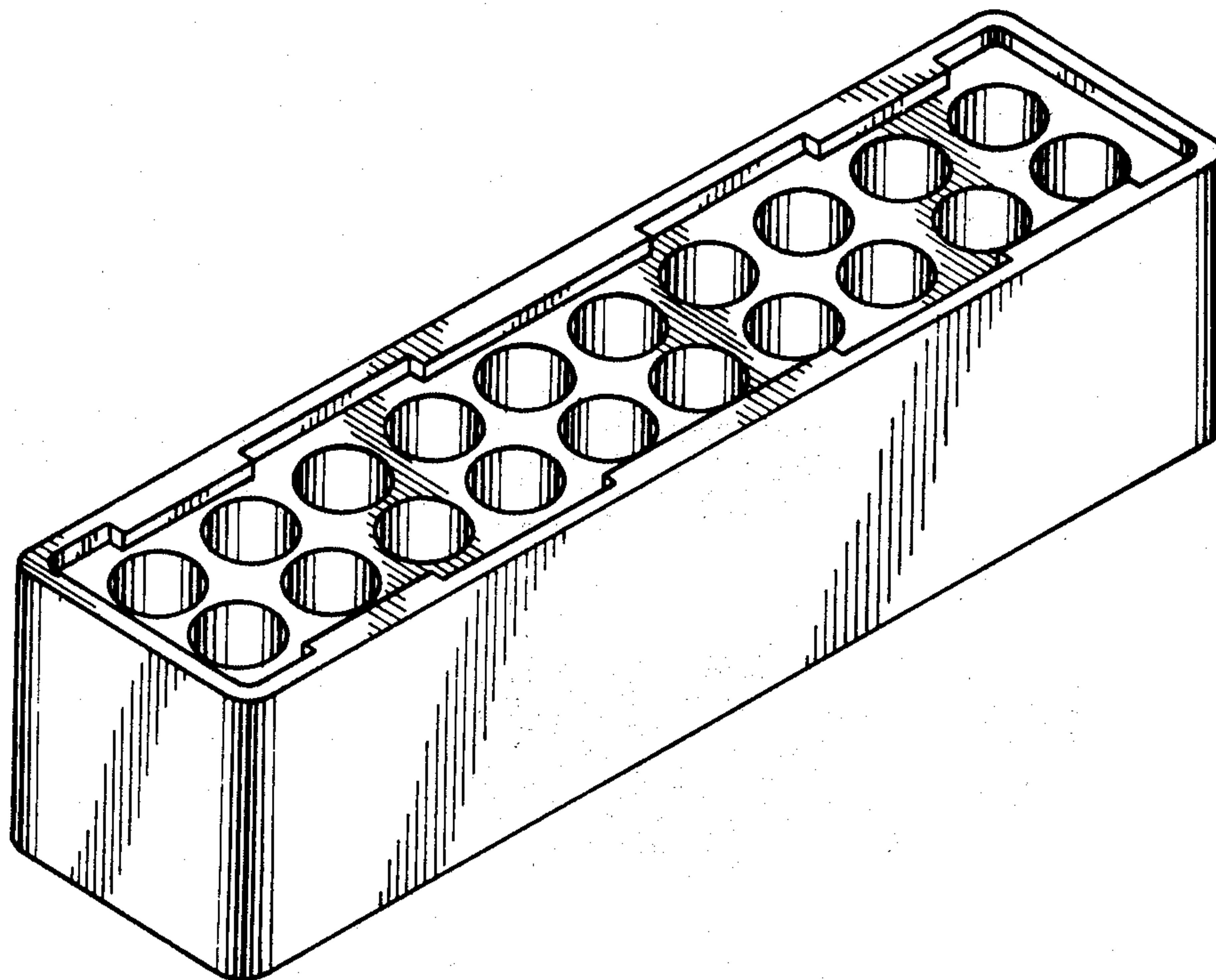
[57] CLAIM

The ornamental design for a packaging container for ammunition, substantially as shown and described.

DESCRIPTION

FIG. 1 is a top front perspective view of a packaging container for ammunition showing my new design; and FIG. 2 is a bottom perspective view showing the front and side not seen in FIG. 1.

The rear is the same in appearance as the front.



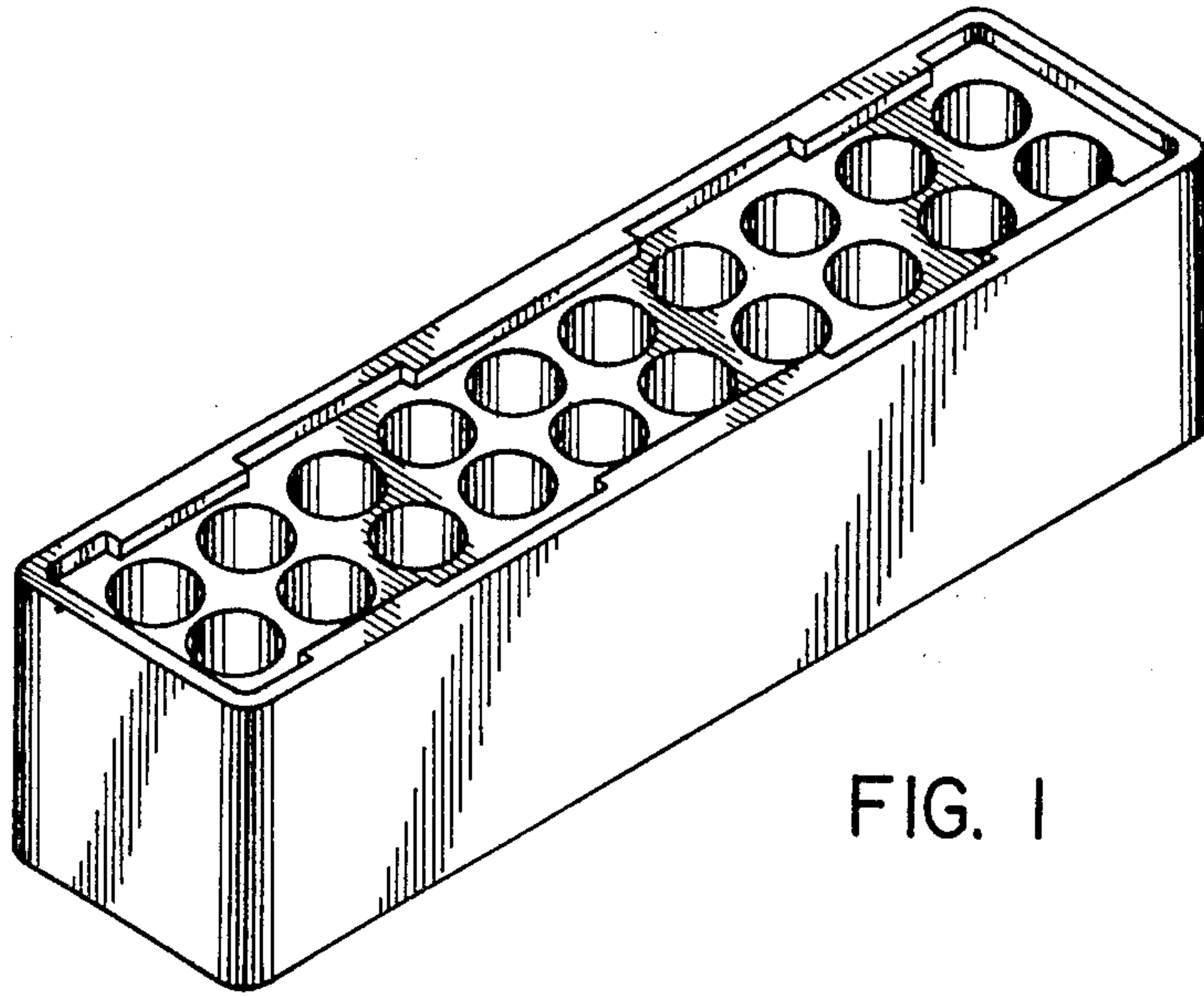


FIG. 1

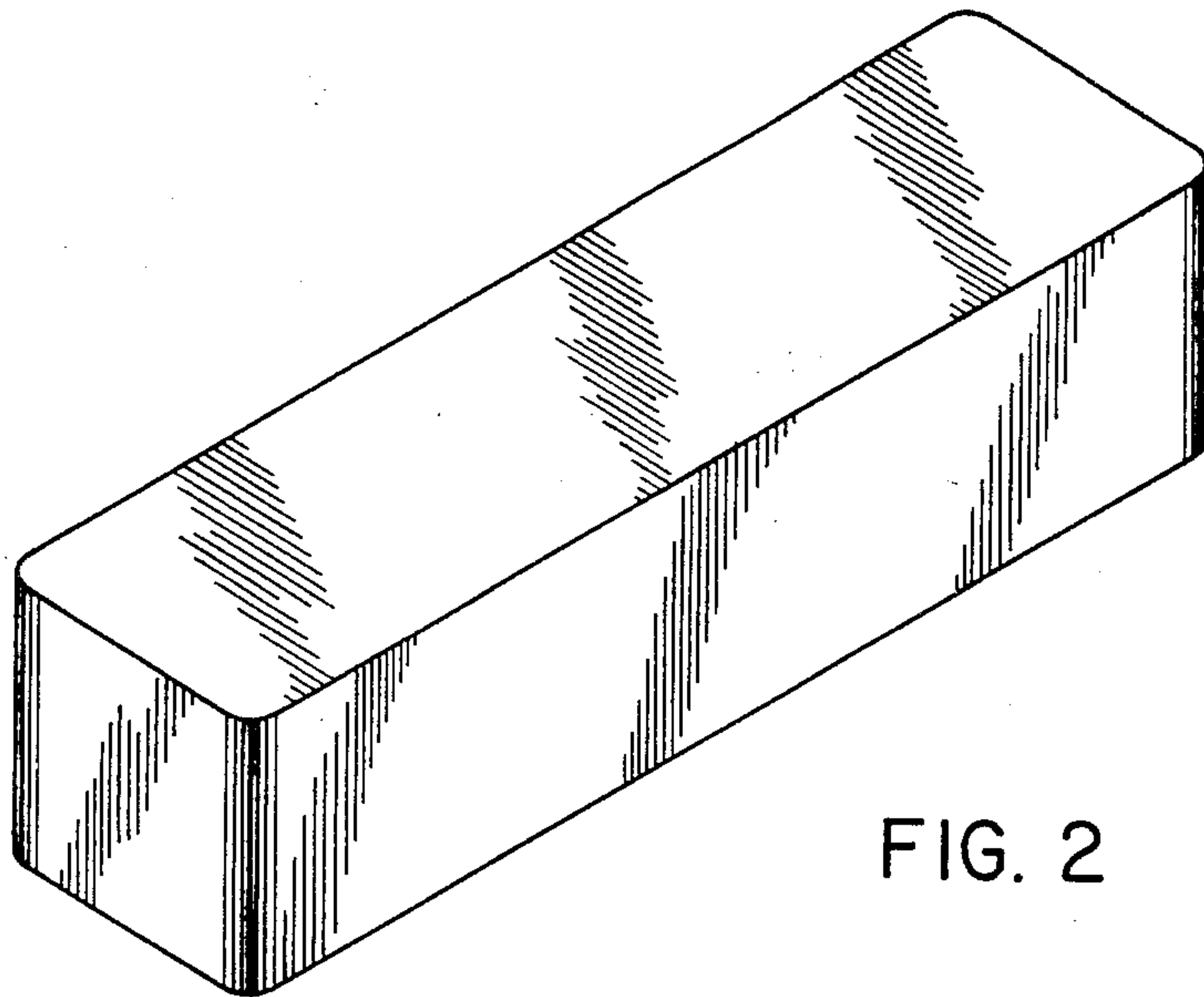


FIG. 2