

[54] SEPARABLE MAGNETIC LOCK FOR A PURSE OR SIMILAR ARTICLE

[75] Inventor: Yoshihiro Aoki, Tokyo, Japan

[73] Assignee: Application Art Laboratories Co., Ltd., Tokyo, Japan

[**] Term: 14 Years

[21] Appl. No.: 279,213

[22] Filed: Jun. 30, 1981

[30] Foreign Application Priority Data

Jan. 8, 1981 [JP] Japan 56-199

[52] U.S. Cl. D8/331

[58] Field of Search 292/251.5; 24/201 B; 70/64; D3/54; D8/331

[56] References Cited

U.S. PATENT DOCUMENTS

D. 130,874	12/1941	Levine	D3/54
D. 247,468	3/1978	Morita	D8/331
2,947,560	8/1960	Klee	292/251.5 X
3,111,736	11/1963	Budreck	24/201 B
3,111,737	11/1963	Heil	24/201 B
3,324,521	6/1967	Humiston	24/201 B
3,372,443	3/1968	Daddona, Jr.	24/201 B
4,021,891	5/1977	Morita	24/201 B
4,310,188	1/1982	Aoki	292/251.5

Primary Examiner—Robert C. Spangler
Attorney, Agent, or Firm—Wenderoth, Lind & Ponack

[57] CLAIM

The ornamental design for a separable magnetic lock for a purse or similar article, substantially as shown and described.

DESCRIPTION

FIG. 1 is a front elevation view of a separable magnetic lock for a purse or similar article showing my new design;
 FIG. 2 is a rear elevational view;
 FIG. 3 is a top plan view;
 FIG. 4 is a side elevational view;
 FIG. 5 is a sectional view taken on line 5—5 of FIG. 1;
 FIG. 6 is a front elevational view of one part of the lock;
 FIG. 7 is a rear elevational view thereof;
 FIG. 8 is a top plan view thereof;
 FIG. 9 is a side elevational view thereof;
 FIG. 10 is a sectional view thereof taken on line 10—10 of FIG. 6;
 FIG. 11 is a front elevational view of the other part of the lock;
 FIG. 12 is a rear elevational view thereof;
 FIG. 13 is a top plan view thereof;
 FIG. 14 is a side elevational view thereof; and
 FIG. 15 is a sectional view taken on the line 15—15 of FIG. 11.

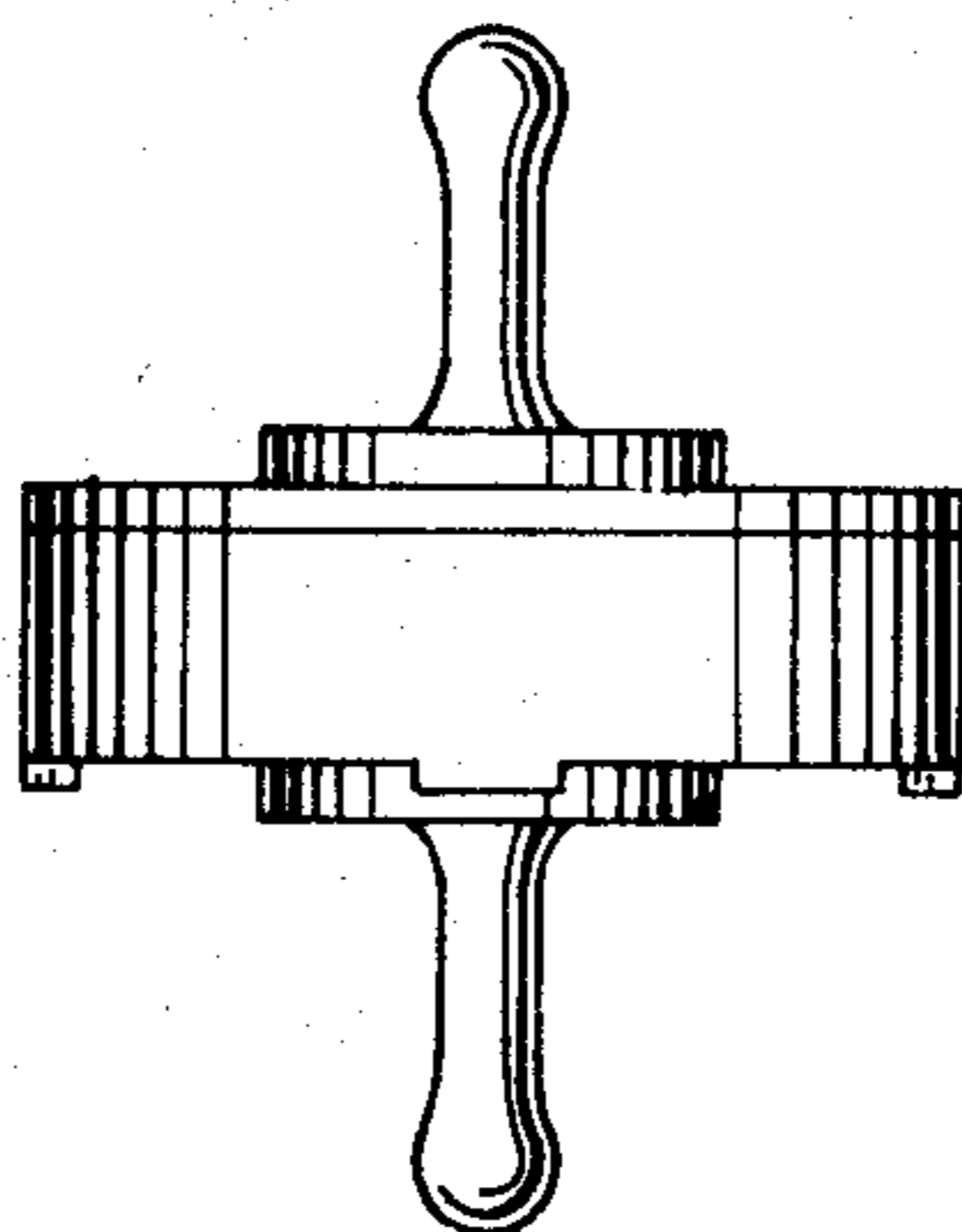


FIG. 1

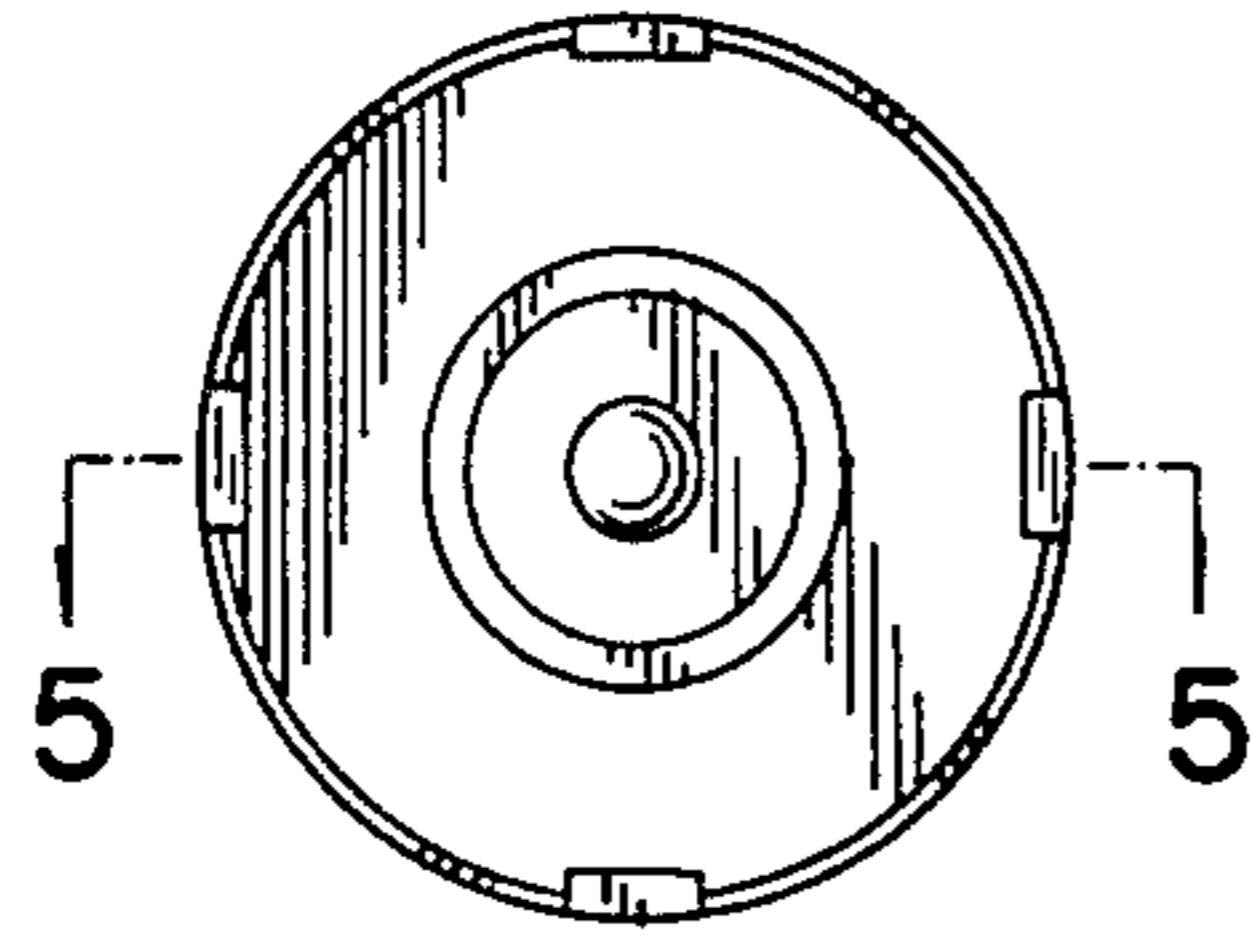


FIG. 2

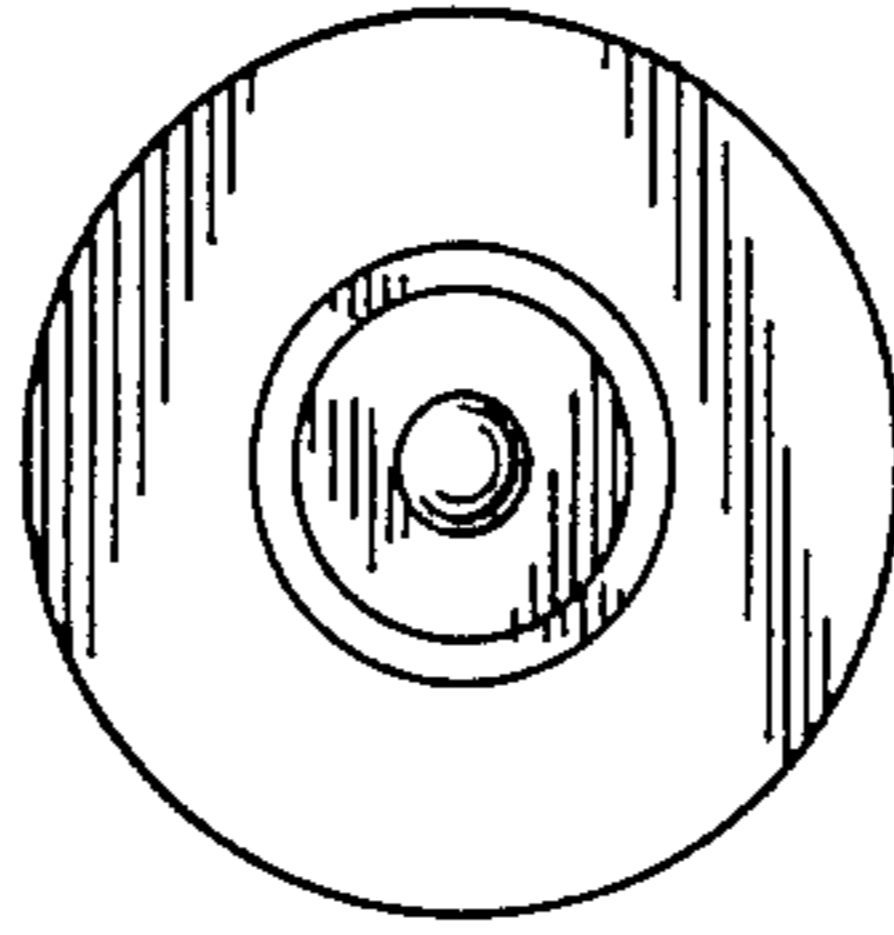


FIG. 3

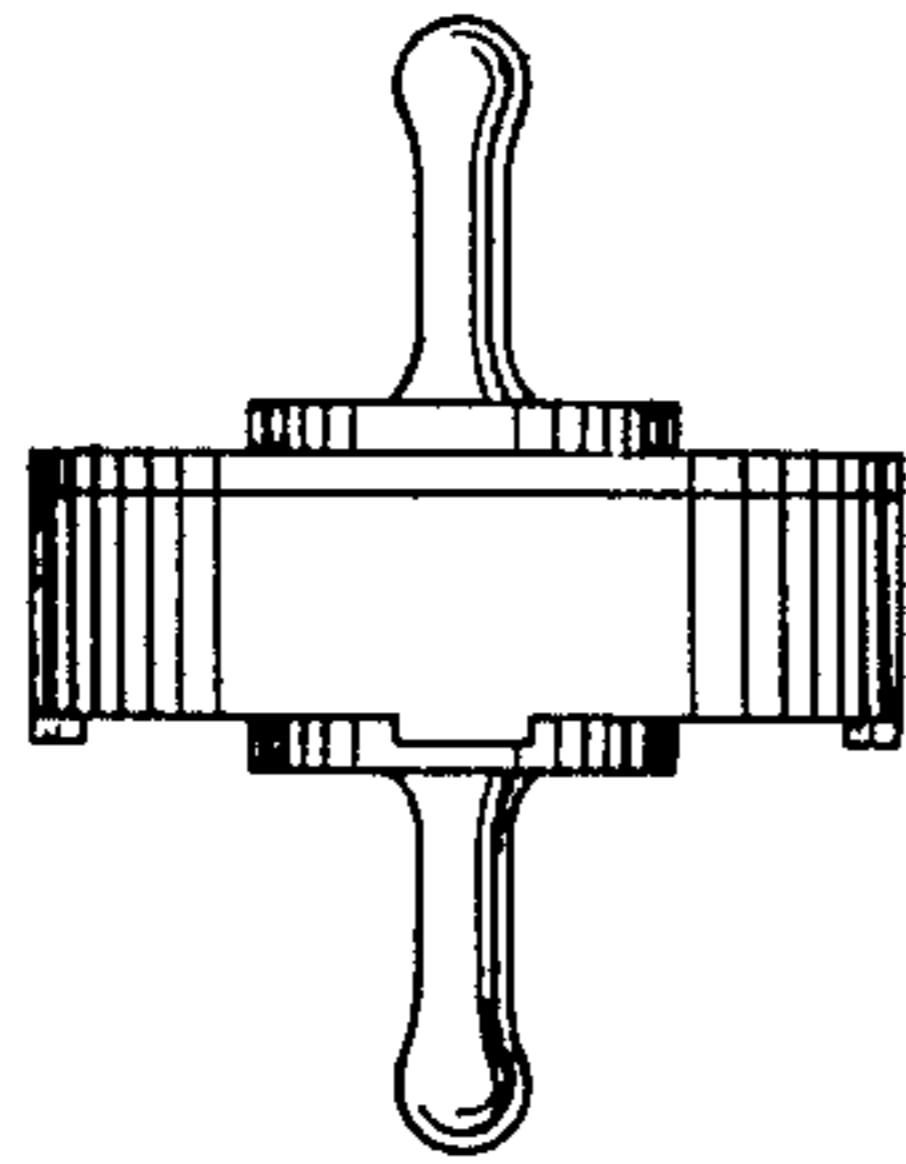


FIG. 4

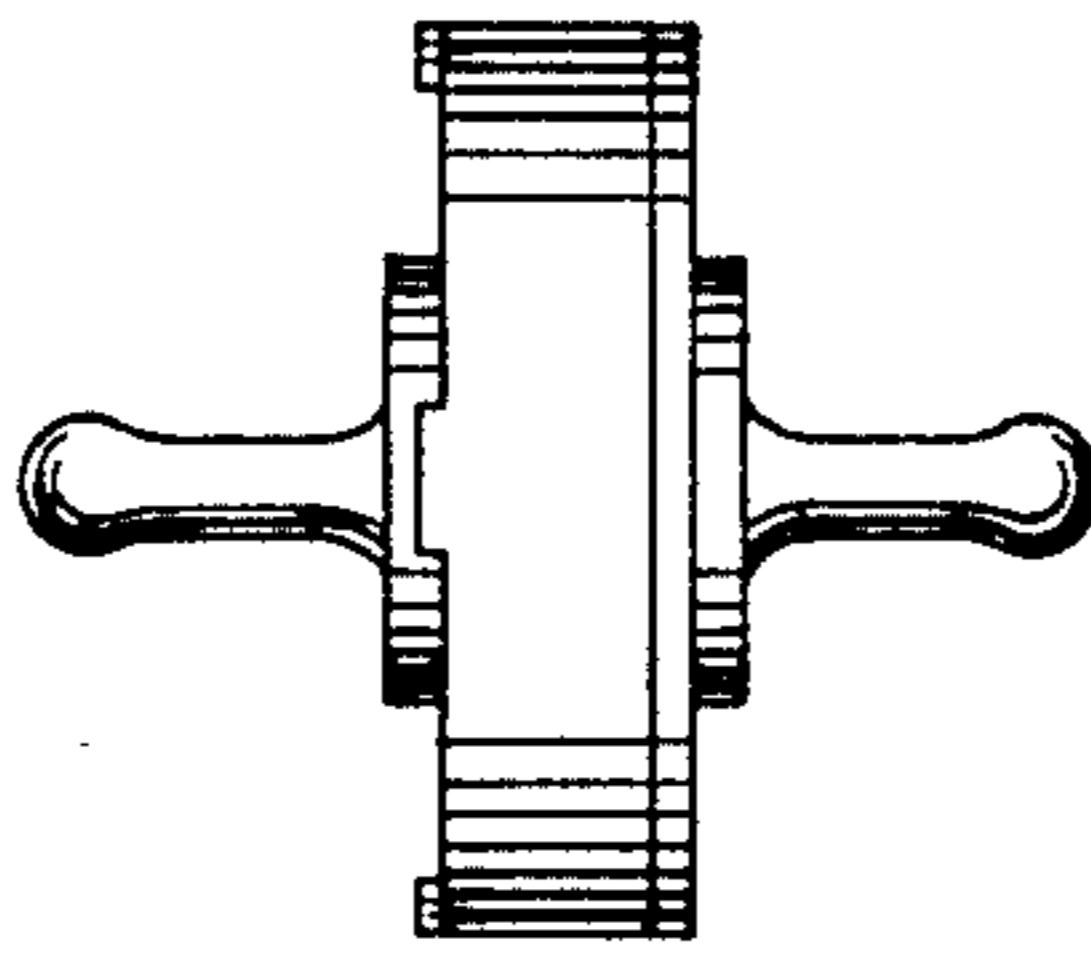


FIG. 5

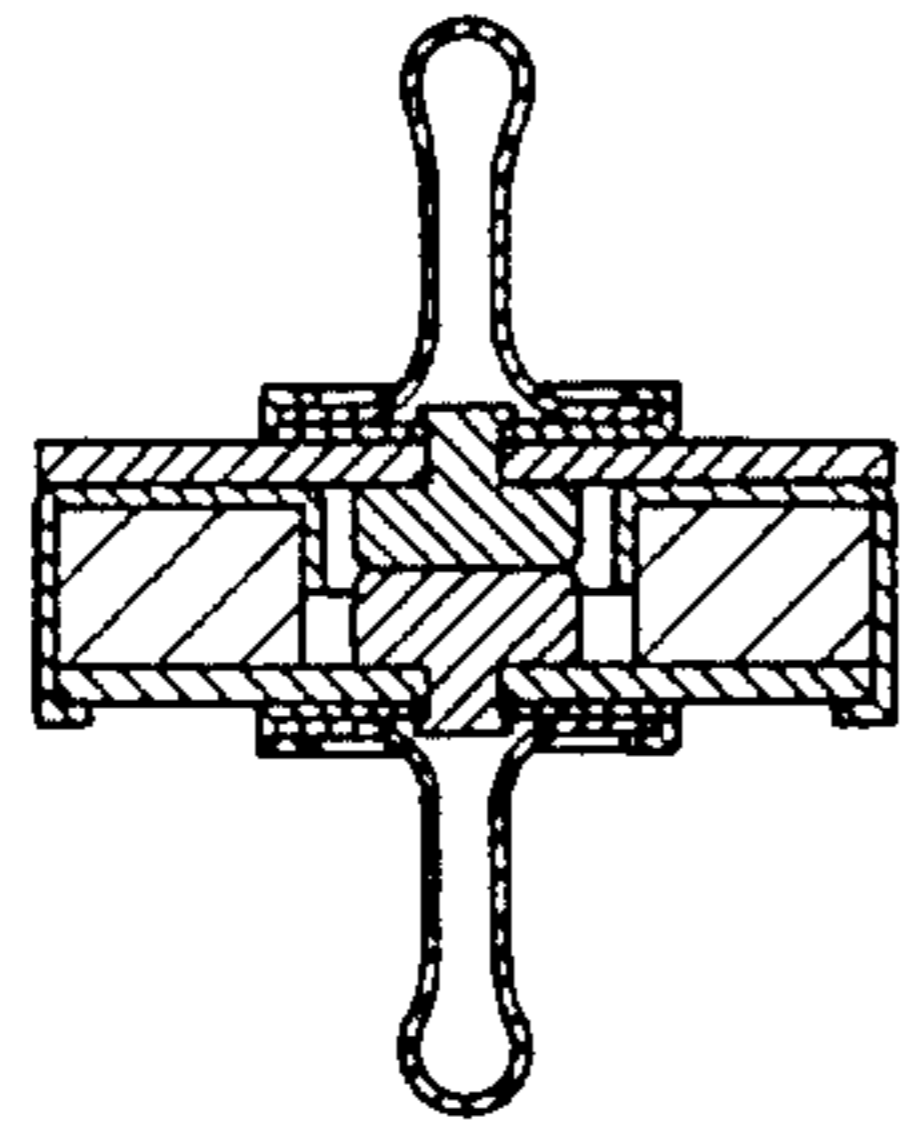


FIG. 6

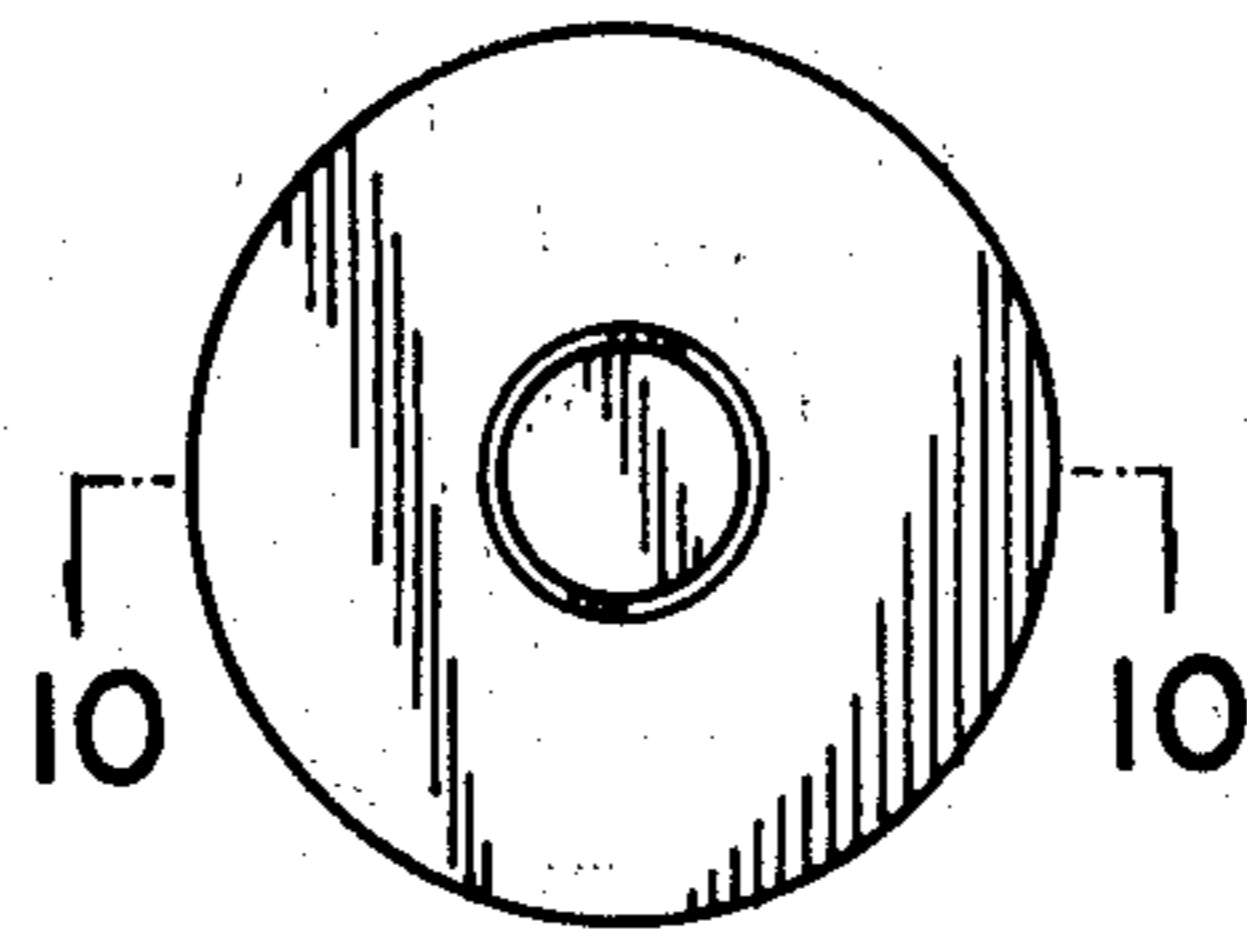


FIG. 7

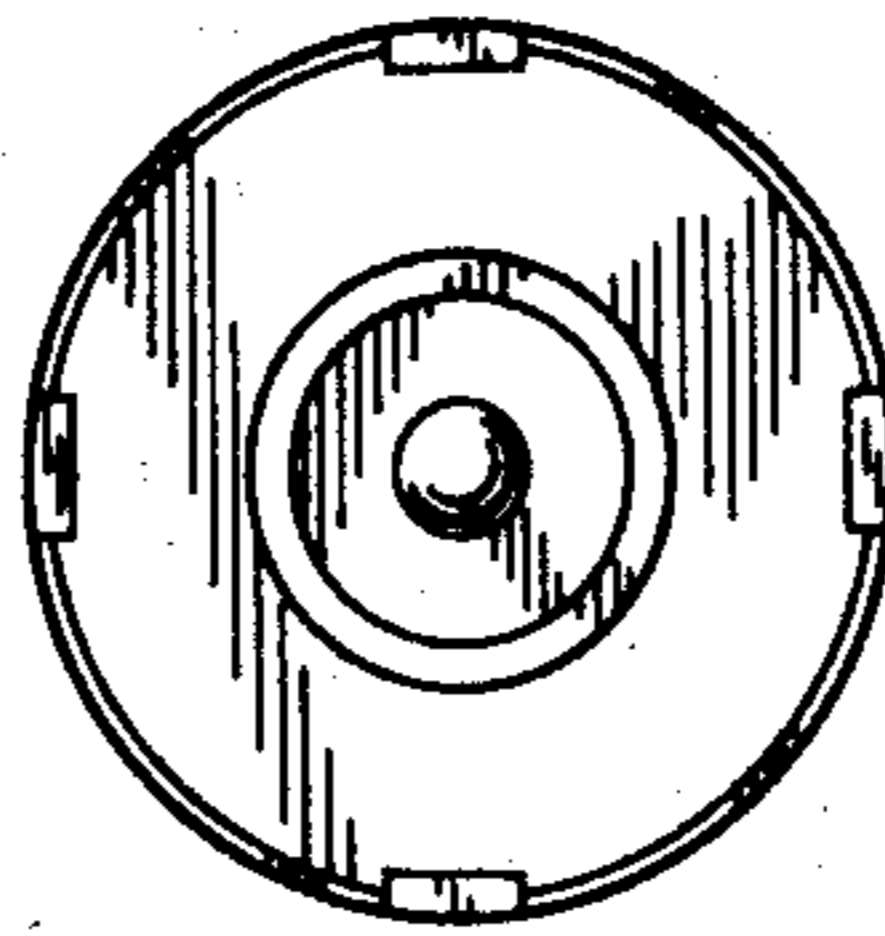


FIG. 8

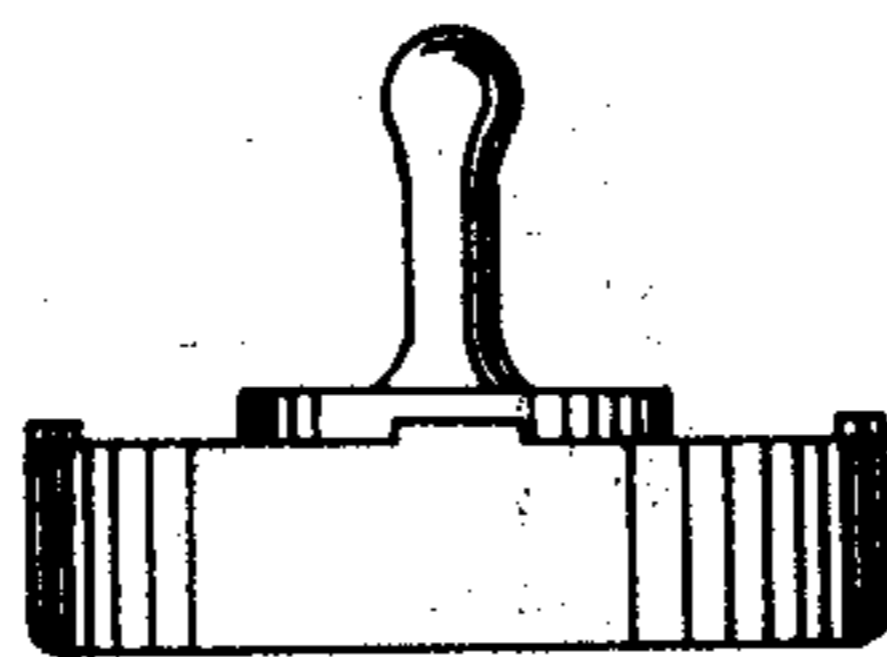


FIG. 9

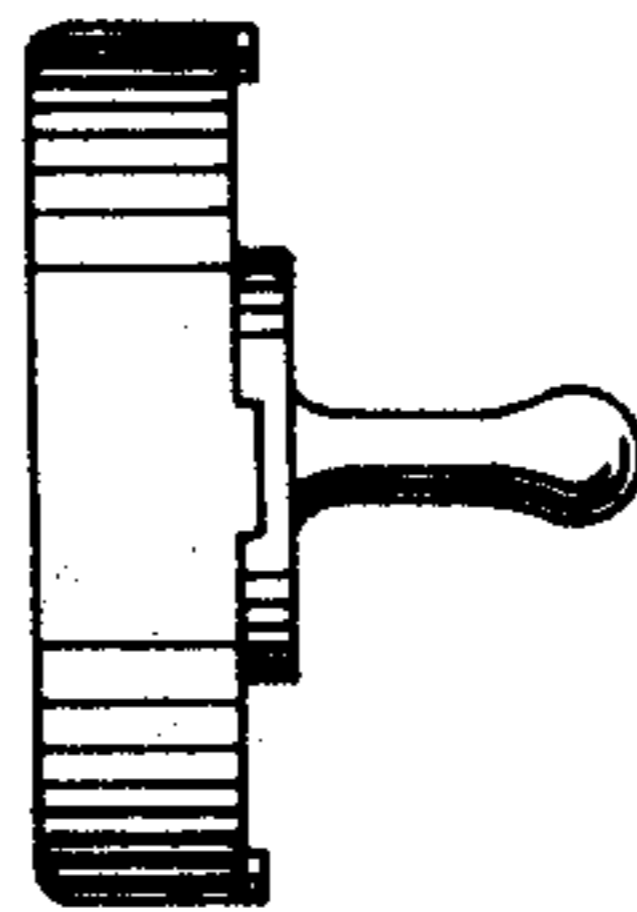


FIG. 10

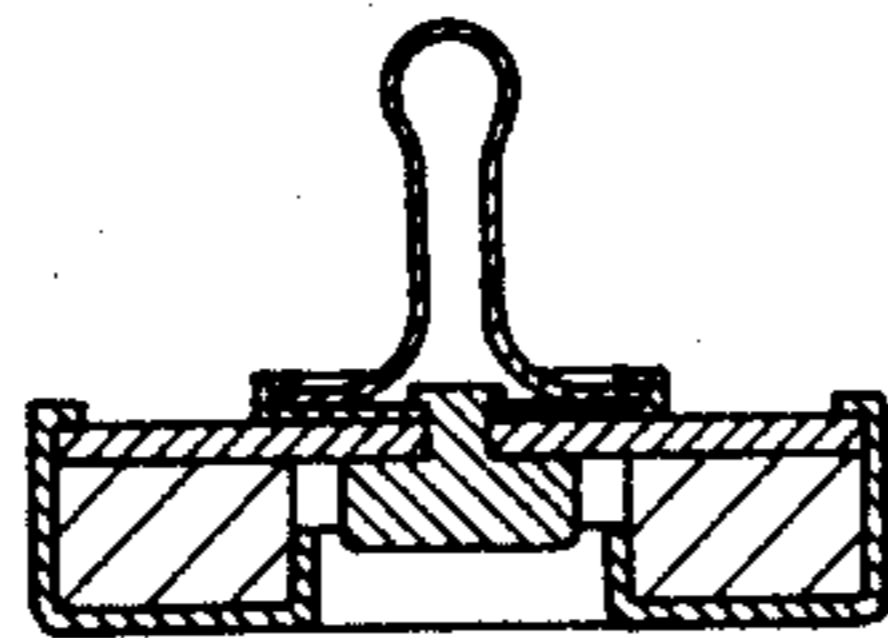


FIG. 11

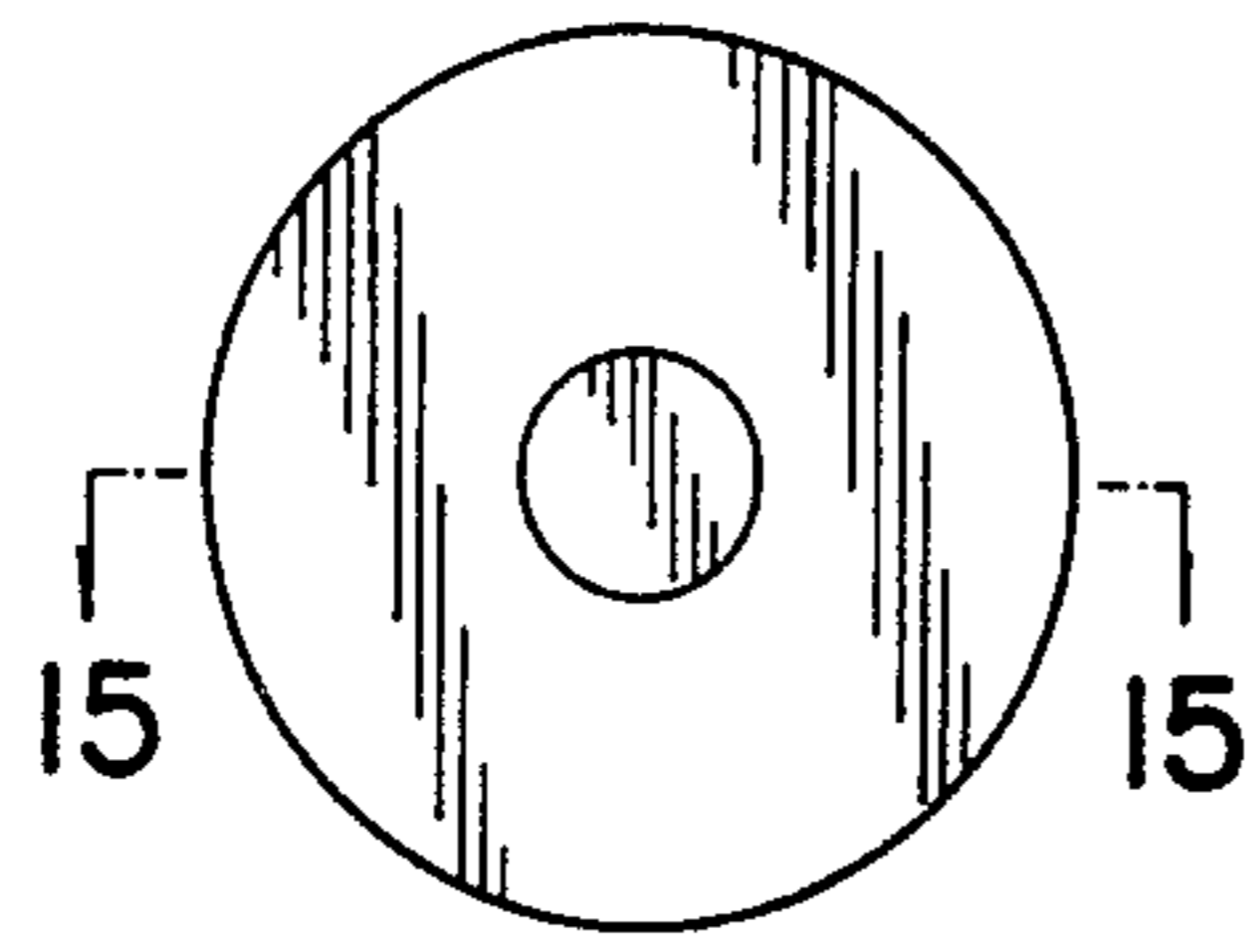


FIG. 12

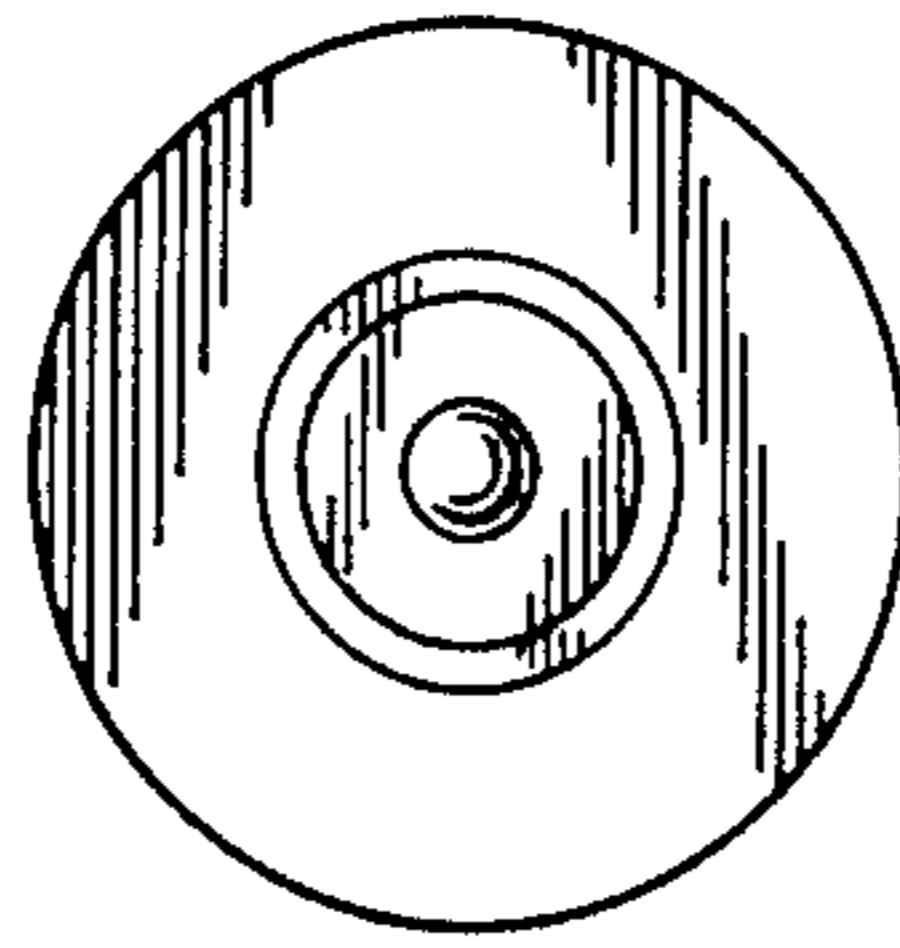


FIG. 13

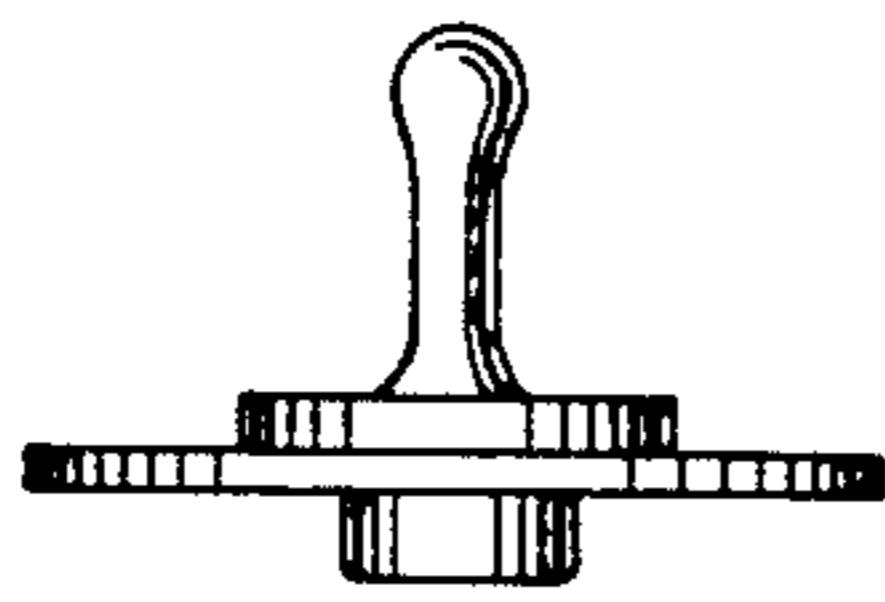


FIG. 14

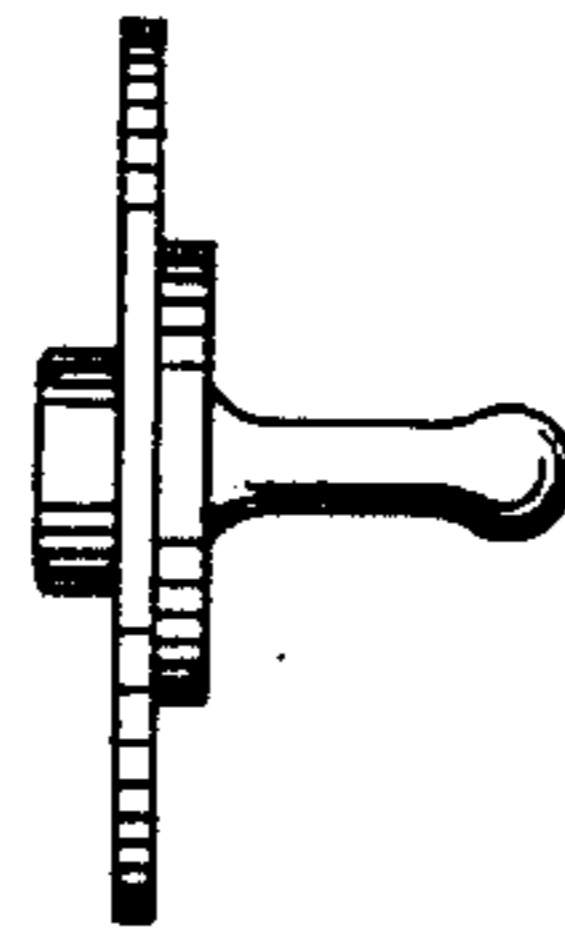


FIG. 15

