

# United States Patent [19]

Kates

[11] Patent Number: **Des. 274,879**

[45] Date of Patent: **\*\* Jul. 31, 1984**

[54] **BOTTOM FRAME FOR A DISPLAY CASE**

[75] Inventor: **Fred W. Kates, New York, N.Y.**

[73] Assignee: **Revlon, Inc., New York, N.Y.**

[\*\*] Term: **14 Years**

[21] Appl. No.: **351,045**

[22] Filed: **Feb. 22, 1982**

[52] U.S. Cl. .... **D6/495**

[58] Field of Search ..... **D6/85, 120, 125, 191**

[56] **References Cited**

### U.S. PATENT DOCUMENTS

D. 227,522 7/1973 Burt ..... D6/120  
D. 265,615 8/1982 Virte et al. .... D6/125 X

*Primary Examiner*—Bruce W. Dunkins

[57] **CLAIM**

The ornamental design for a bottom frame for a display case, as shown and described.

### DESCRIPTION

FIG. 1 is a perspective view from the rear, side and top of the display unit frame showing my new design; FIG. 2 is a top plan view thereof; and FIG. 3 is a side elevation thereof.

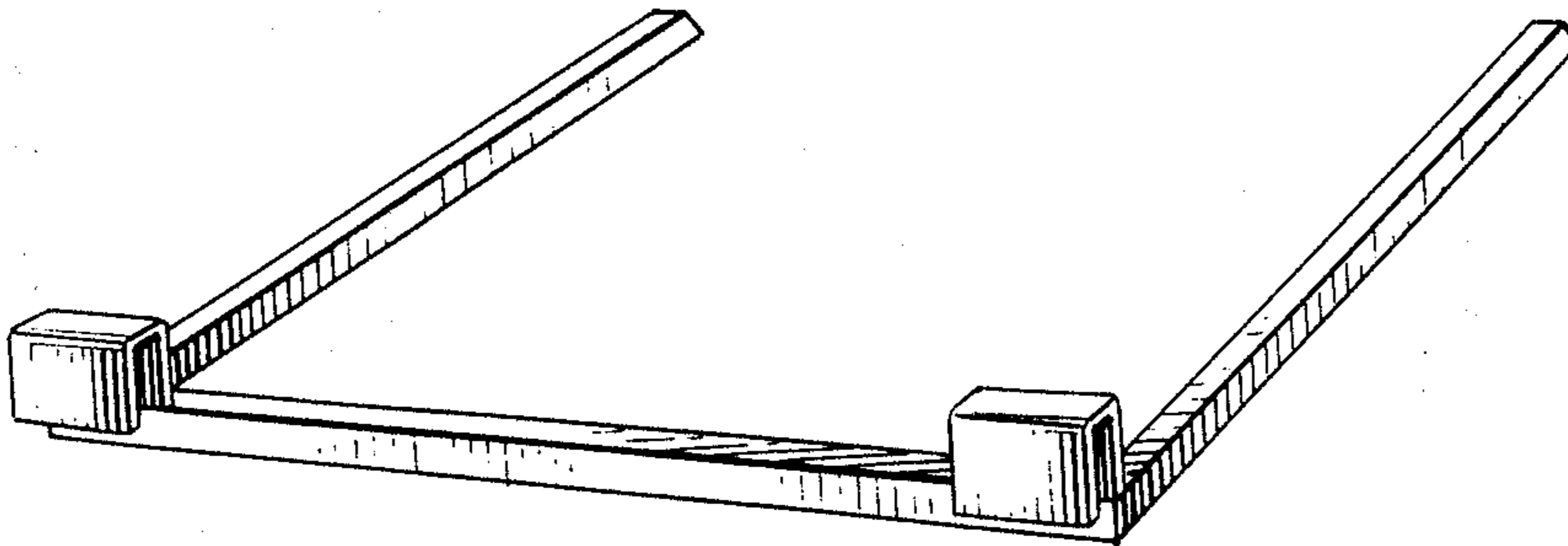


Fig. 1.

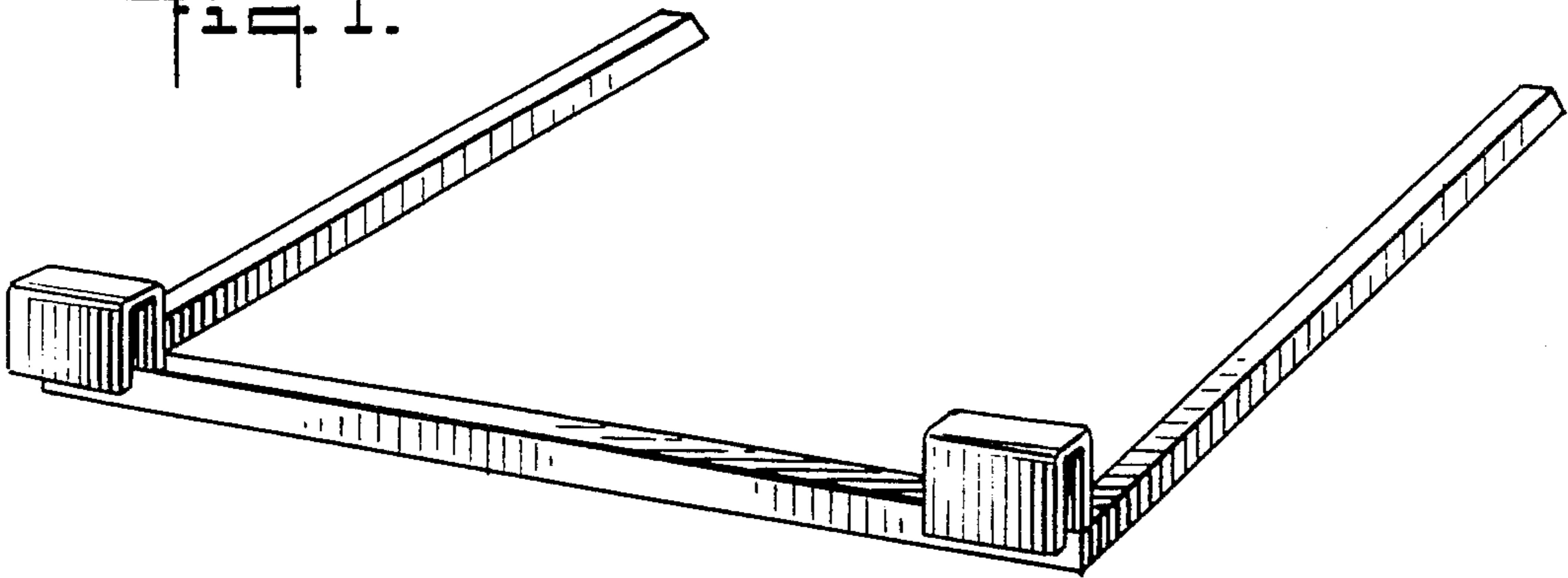


Fig. 2.

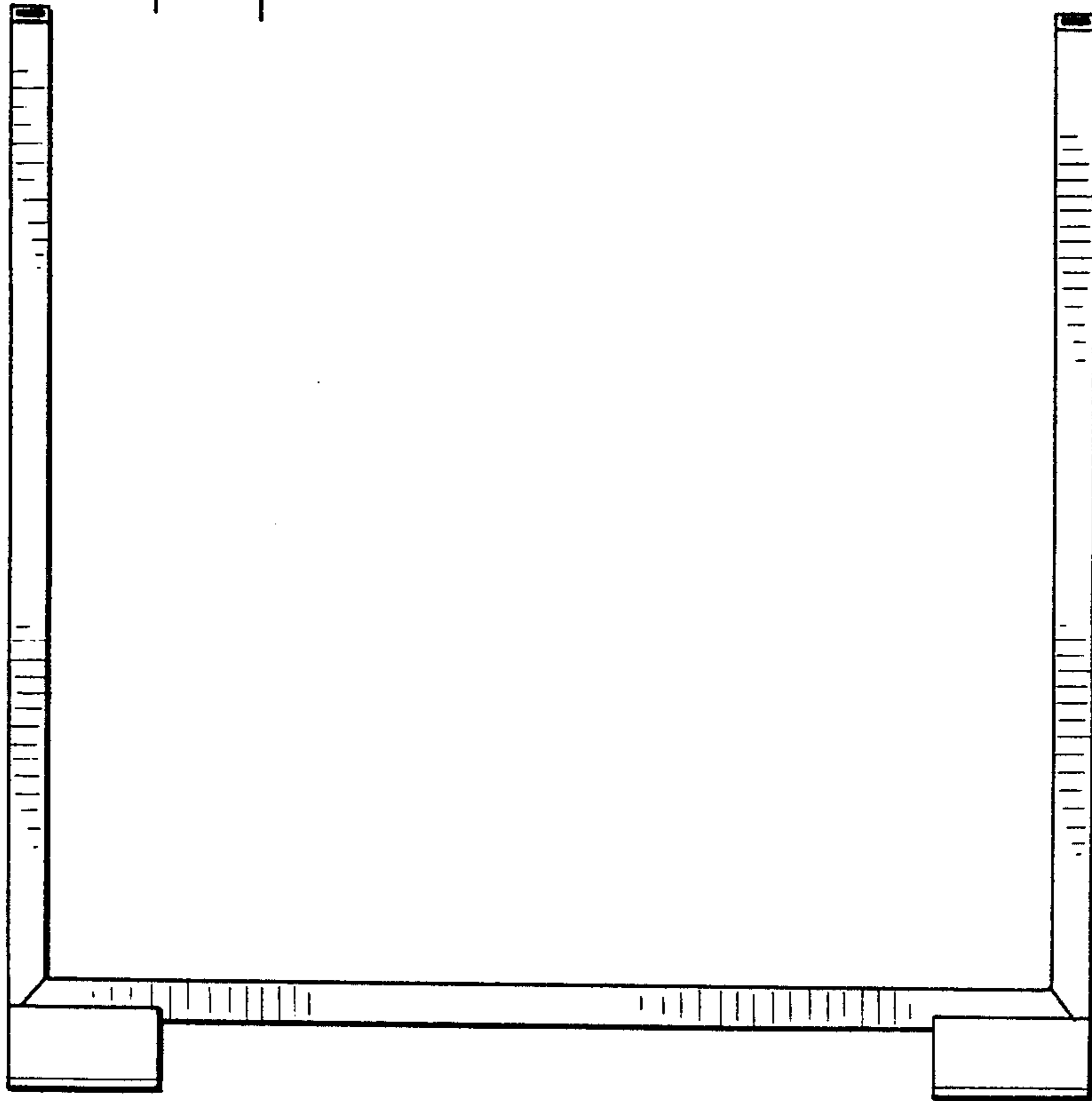


Fig. 3.

