

**United States Patent** [19]

**Kates**

[11] **Patent Number: Des. 274,878**

[45] **Date of Patent: \*\* Jul. 31, 1984**

[54] **TOP FRAME FOR A DISPLAY CASE**

[75] **Inventor: Fred W. Kates, New York, N.Y.**

[73] **Assignee: Revlon, Inc., New York, N.Y.**

[\*\*] **Term: Years**

[21] **Appl. No.: 350,709**

[22] **Filed: Feb. 22, 1982**

[52] **U.S. Cl. .... D6/511; D6/470**

[58] **Field of Search ..... D6/191, 120, 125**

[56] **References Cited**

**U.S. PATENT DOCUMENTS**

D. 265,615 8/1982 Virte et al. .... D6/125 X  
D. 277,522 7/1973 Burt ..... D6/120

*Primary Examiner*—Bruce W. Dunkins

[57] **CLAIM**

The ornamental design for a top frame for a display case, as shown and described.

**DESCRIPTION**

FIG. 1 is a perspective view from the rear, side and top of the display unit frame showing my new design; FIG. 2 is a top plan view thereof; and FIG. 3 is a side elevational view thereof.

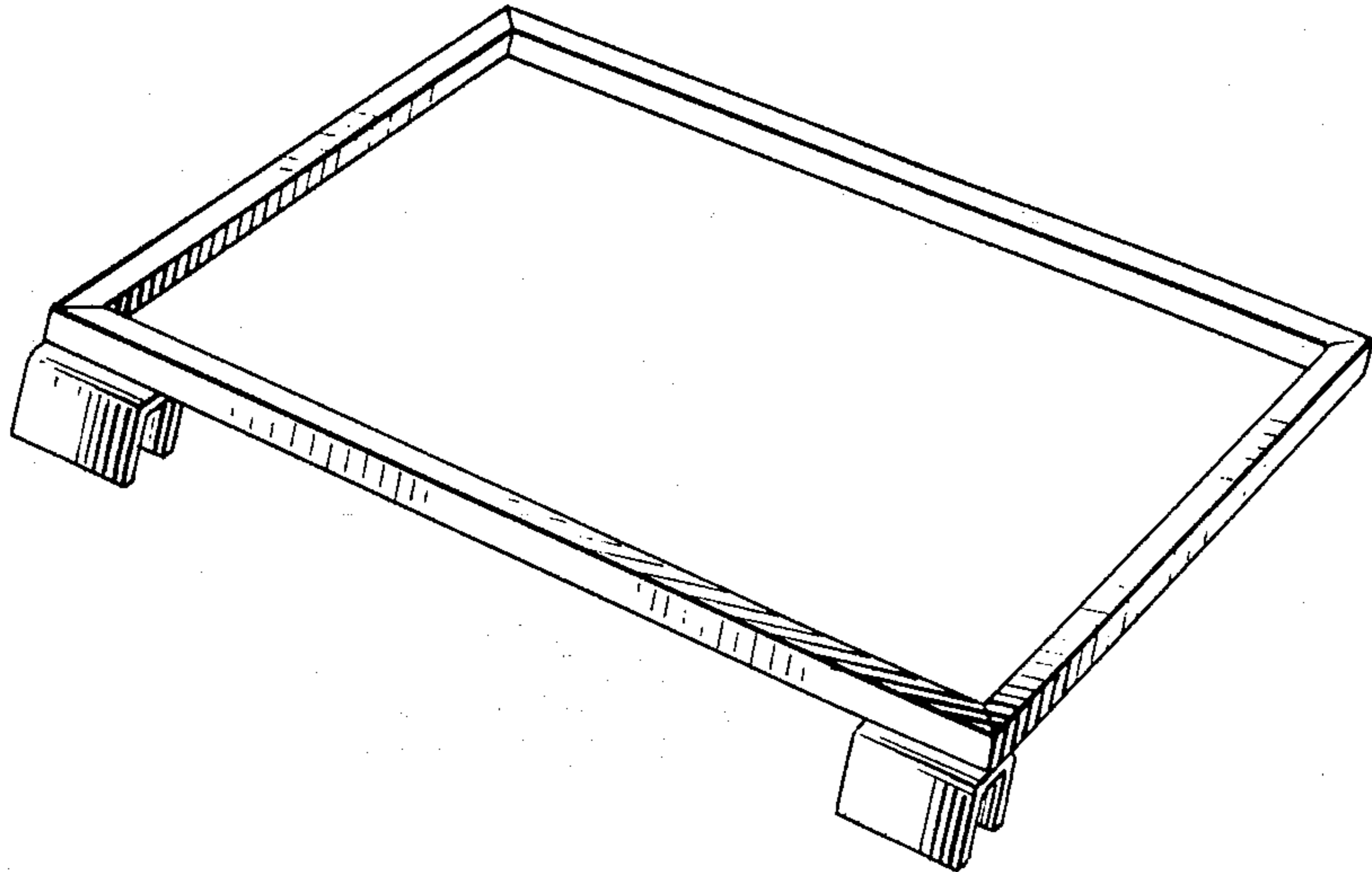


Fig. 1.

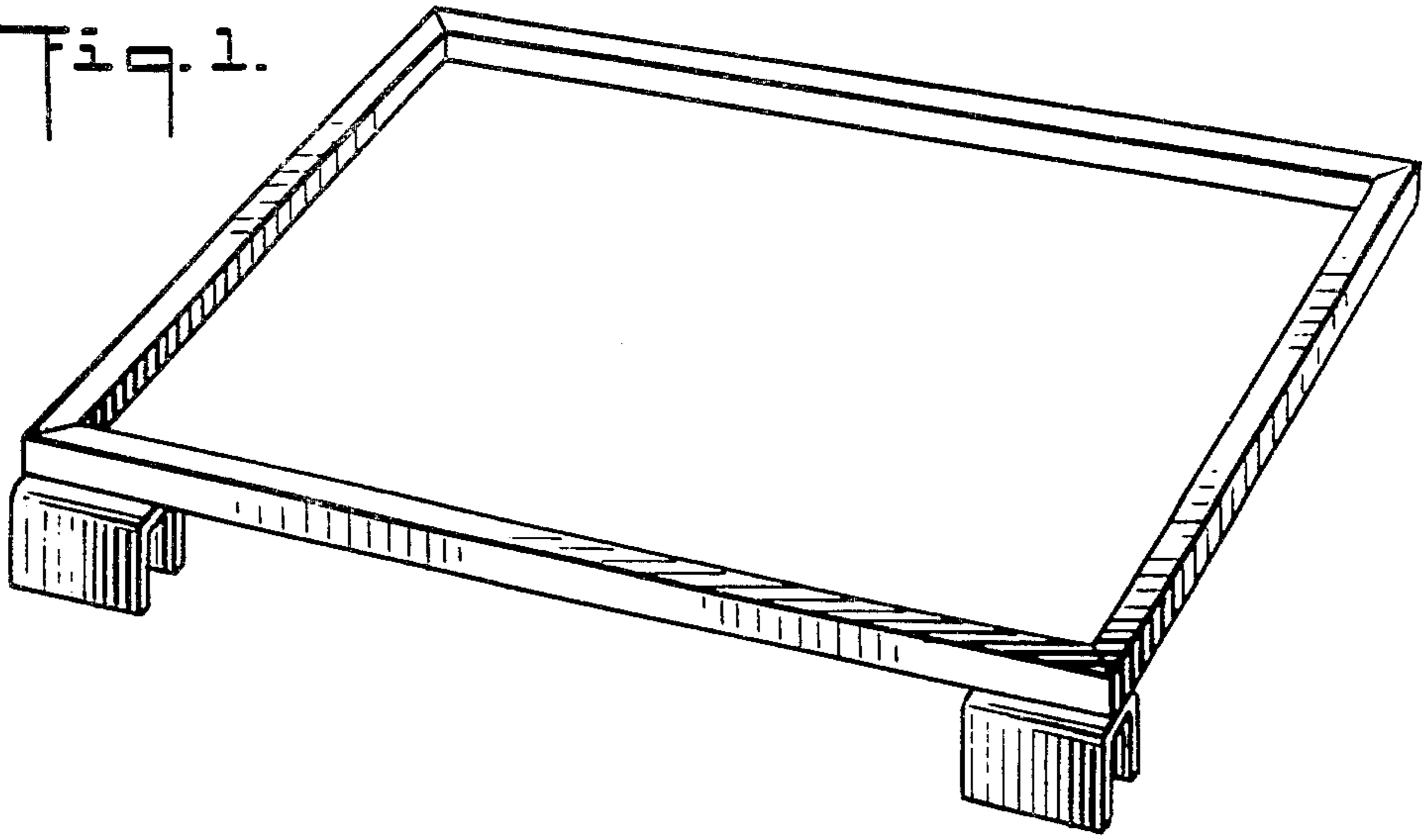


Fig. 2.

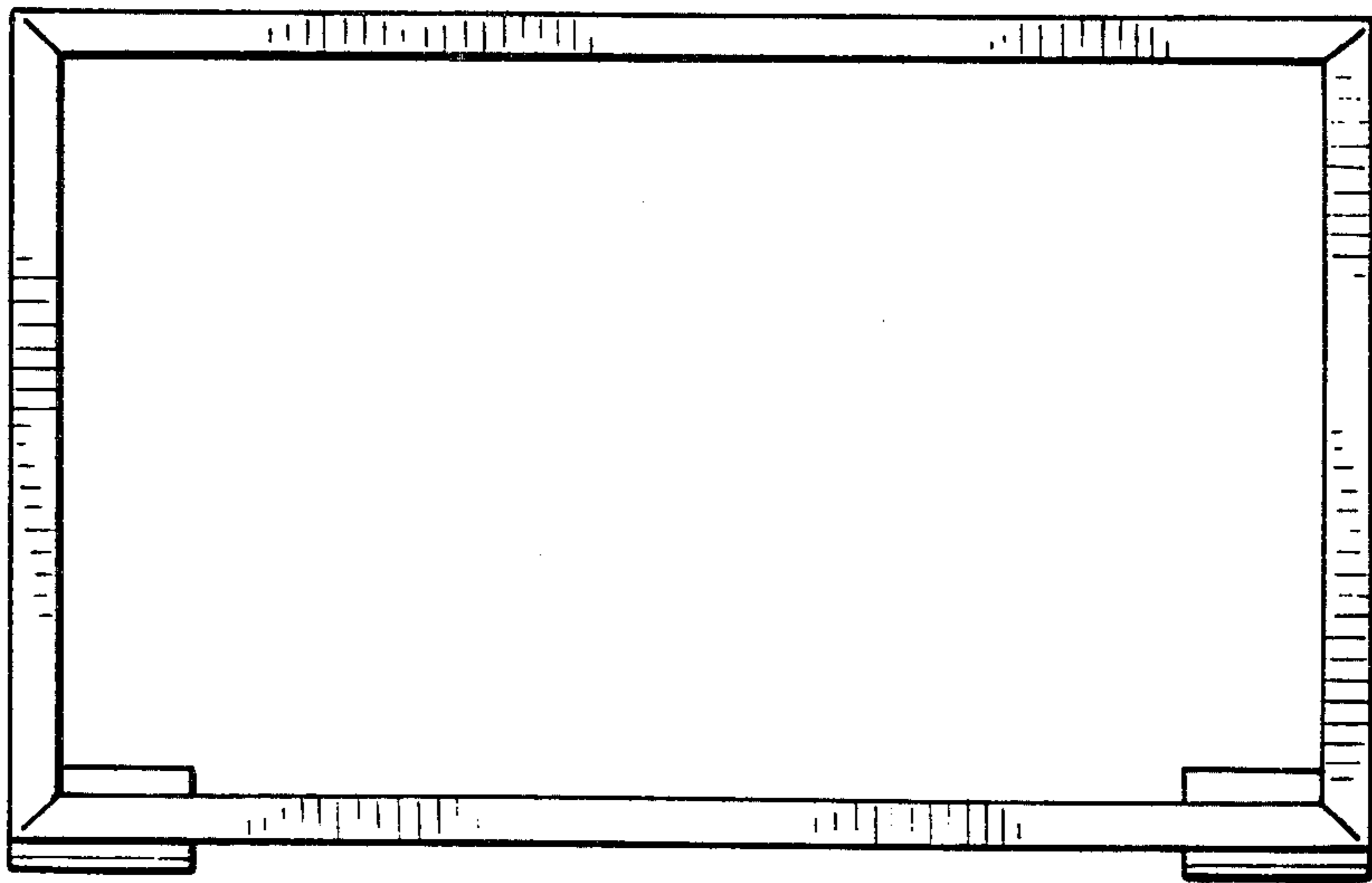


Fig. 3.

