

[54] COMPUTER KEY-PUNCH TABLE

1,761,766 6/1930 Zim 312/233

[76] Inventors: Raymond Cope, 3541 Spring Valley Rd., Birmingham, Ala. 35223; Michael King, 3208 Waxbury La., Birmingham, Ala. 35217

[**] Term: 14 Years

[21] Appl. No.: 328,457

[22] Filed: Dec. 7, 1981

[52] U.S. Cl. D6/420; D6/428; D34/22

[58] Field of Search D6/181, 186, 177, 179, D6/188, 156, 174; D14/100, 102, 103; D34/17, 21, 22; 108/6; 248/441 B, 460; 312/231, 233

[56] References Cited

U.S. PATENT DOCUMENTS

- Re. 16,410 8/1926 Woolman 312/231
- D. 121,622 7/1940 Bojessen D6/156
- D. 123,806 12/1940 Griese D6/186 X
- D. 242,008 10/1976 Salsgiver D6/179
- 1,471,757 10/1923 Thiriot 312/233 X

OTHER PUBLICATIONS

Howell Brochure No. 30, p. 9; Folding Leg Tables top right of page.

Office Product Dealer Apr. 1980, p. 89; "Telephone System" by Siemens Corp., bottom center of page.

Office Product Dealer Nov. 1981, p. 72; bottom right table.

Primary Examiner—Bruce W. Dunkins

Assistant Examiner—Carmen H. Vales

Attorney, Agent, or Firm—William T. Hough

[57] CLAIM

The ornamental design for a computer key-punch table, as shown.

DESCRIPTION

FIG. 1 is a side elevational view of a computer key punch table showing my new design;

FIG. 2 is a front elevational view thereof;

FIG. 3 is a top plan view thereof;

FIG. 4 is a rear elevational view thereof; and

FIG. 5 is a front and side perspective view thereof.

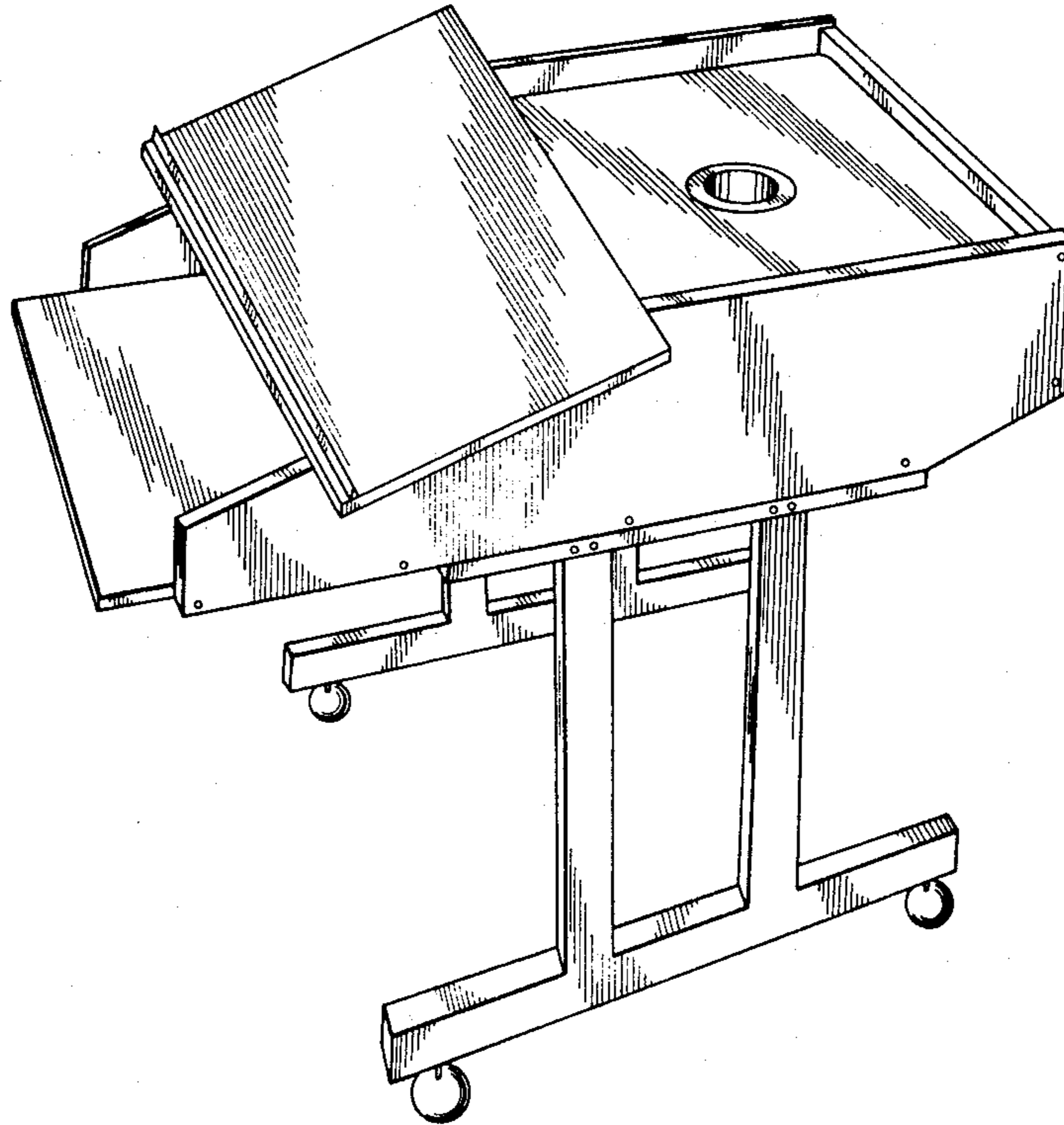


FIG. 1

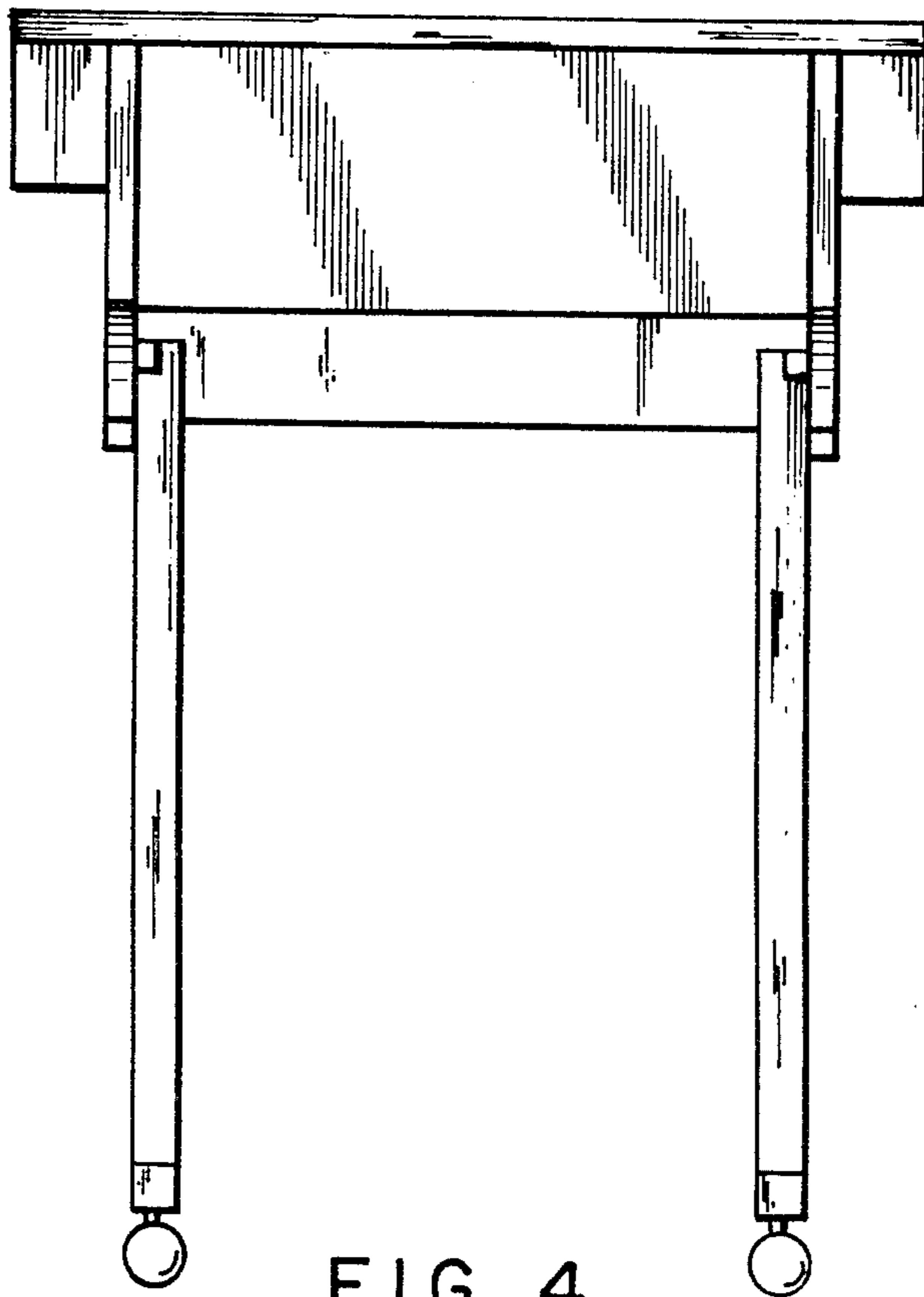
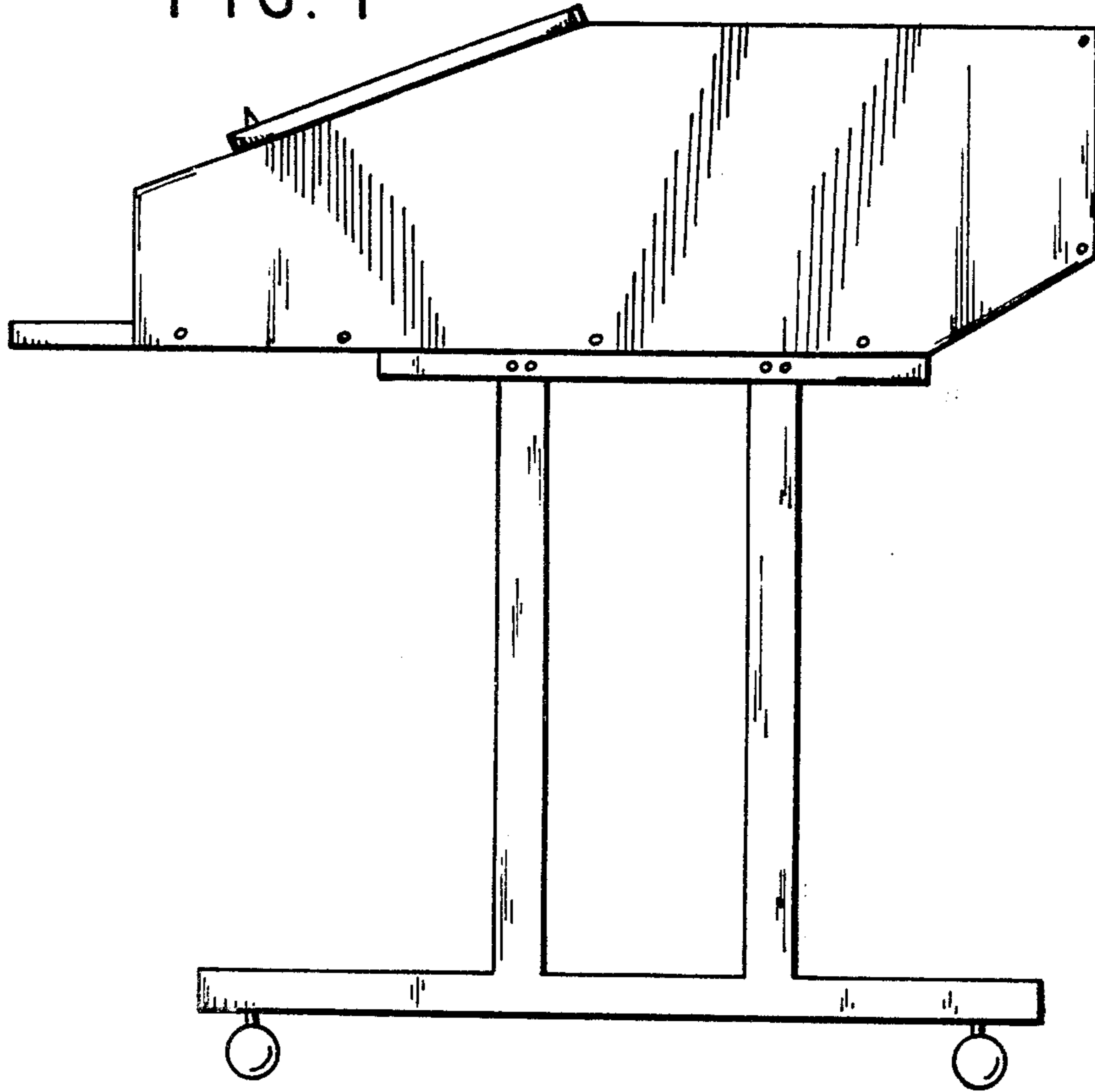


FIG. 4

FIG. 2

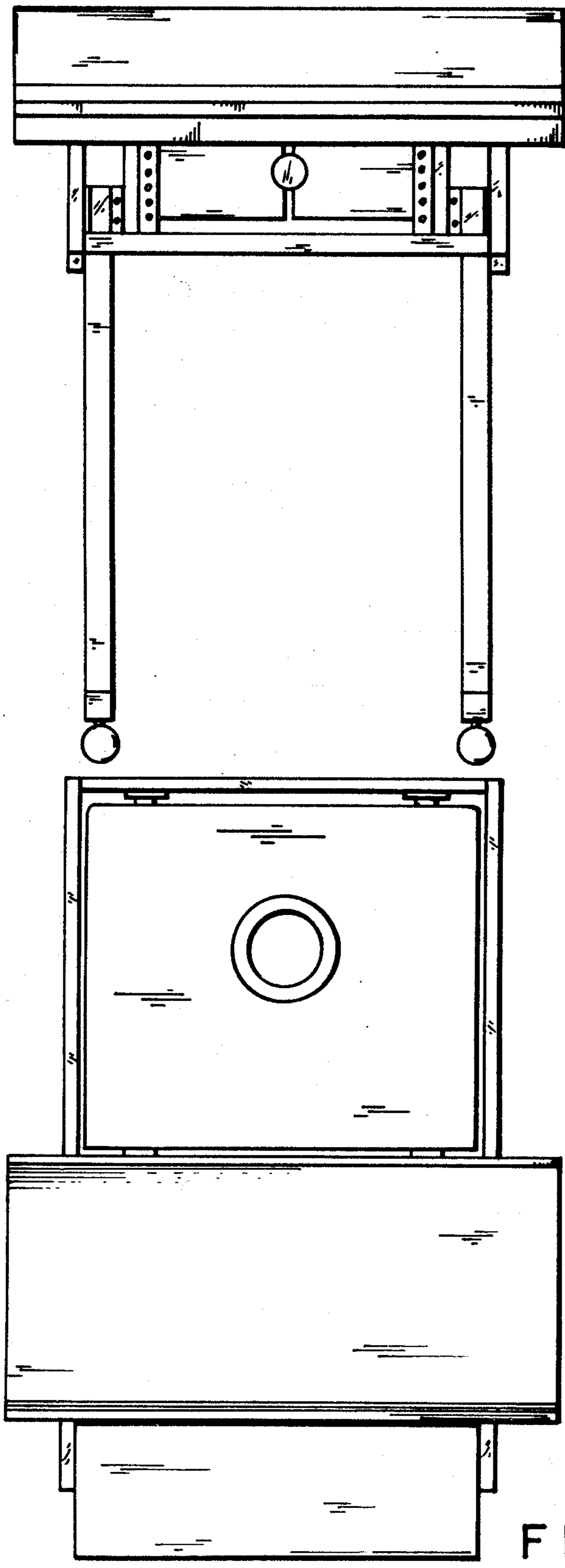


FIG. 3

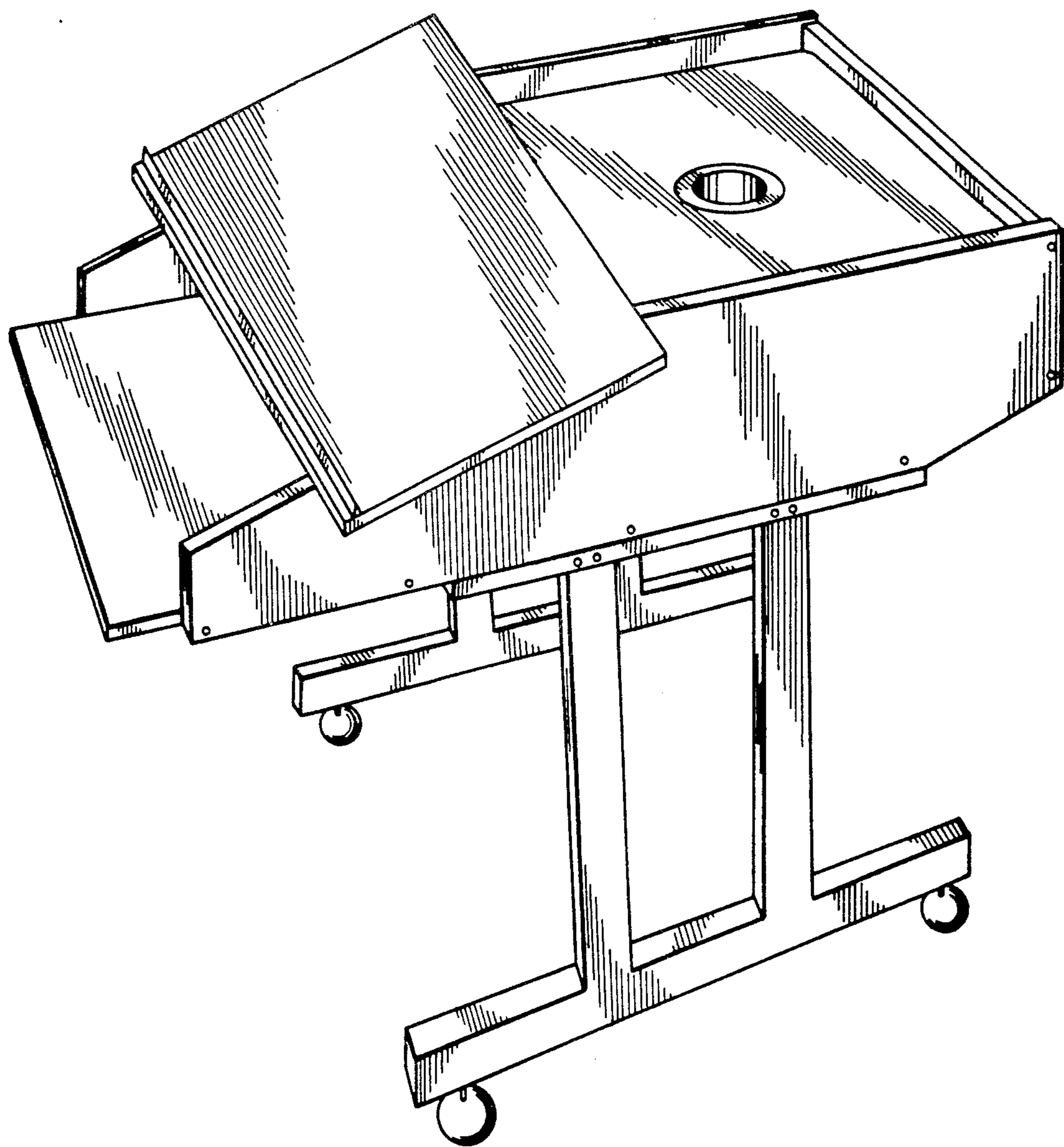


FIG. 5