

[54] BED

[76] Inventor: Floyd R. Slaton, 14384 Cuesta Ct., Sonora, Calif. 95370

[\*\*] Term: 14 Years

[21] Appl. No.: 567,680

[22] Filed: Jan. 3, 1984

[52] U.S. Cl. .... D6/384

[58] Field of Search ..... D6/79, 80, 83, 84, 198, D6/5, 151, 159, 170; 5/451

*Flotation Sleep Industry*, 9-82, p. 6, Trend West Canterbury Bookcase Bed.

*Flotation Sleep Industry*, 10-82, p. 107, Mester Atlantis Canopy Bed.

Primary Examiner—Jane E. Corrigan  
Attorney, Agent, or Firm—Schapp and Hatch

[57] CLAIM

The ornamental design for a bed, as shown.

DESCRIPTION

FIG. 1 is a front and right side perspective view of a bed showing my new design;

FIG. 2 is a front elevational view;

FIG. 3 is a right side elevational view;

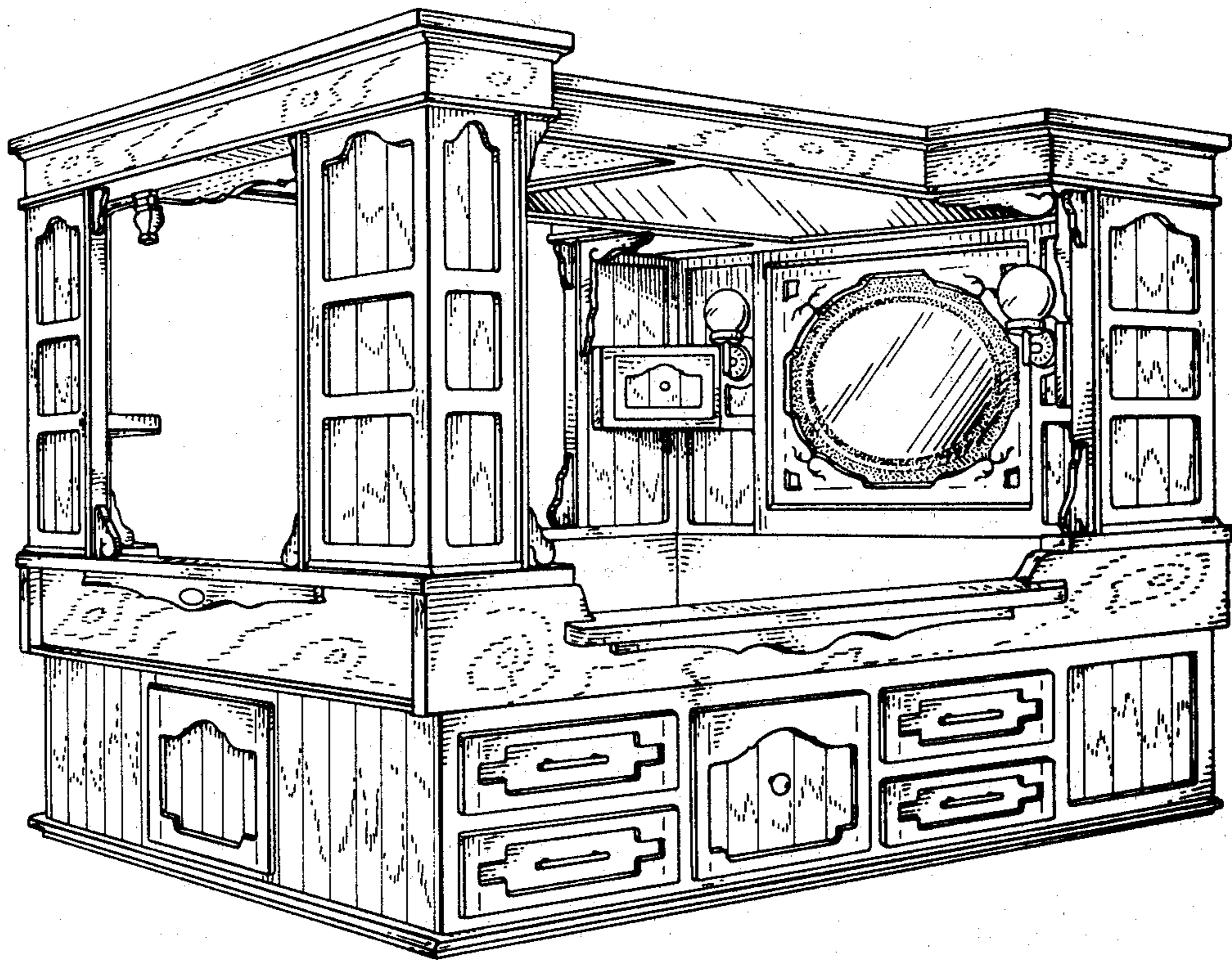
FIG. 4 is a top plan view; and

FIG. 5 is a rear elevational view.

[56] References Cited  
PUBLICATIONS

*Flotation Sleep Industry*, 7-82, p. 87, Lorts Bed.

*Flotation Sleep Industry*, 8-82, p. 63, Aeolus "Timberwood" Bed.



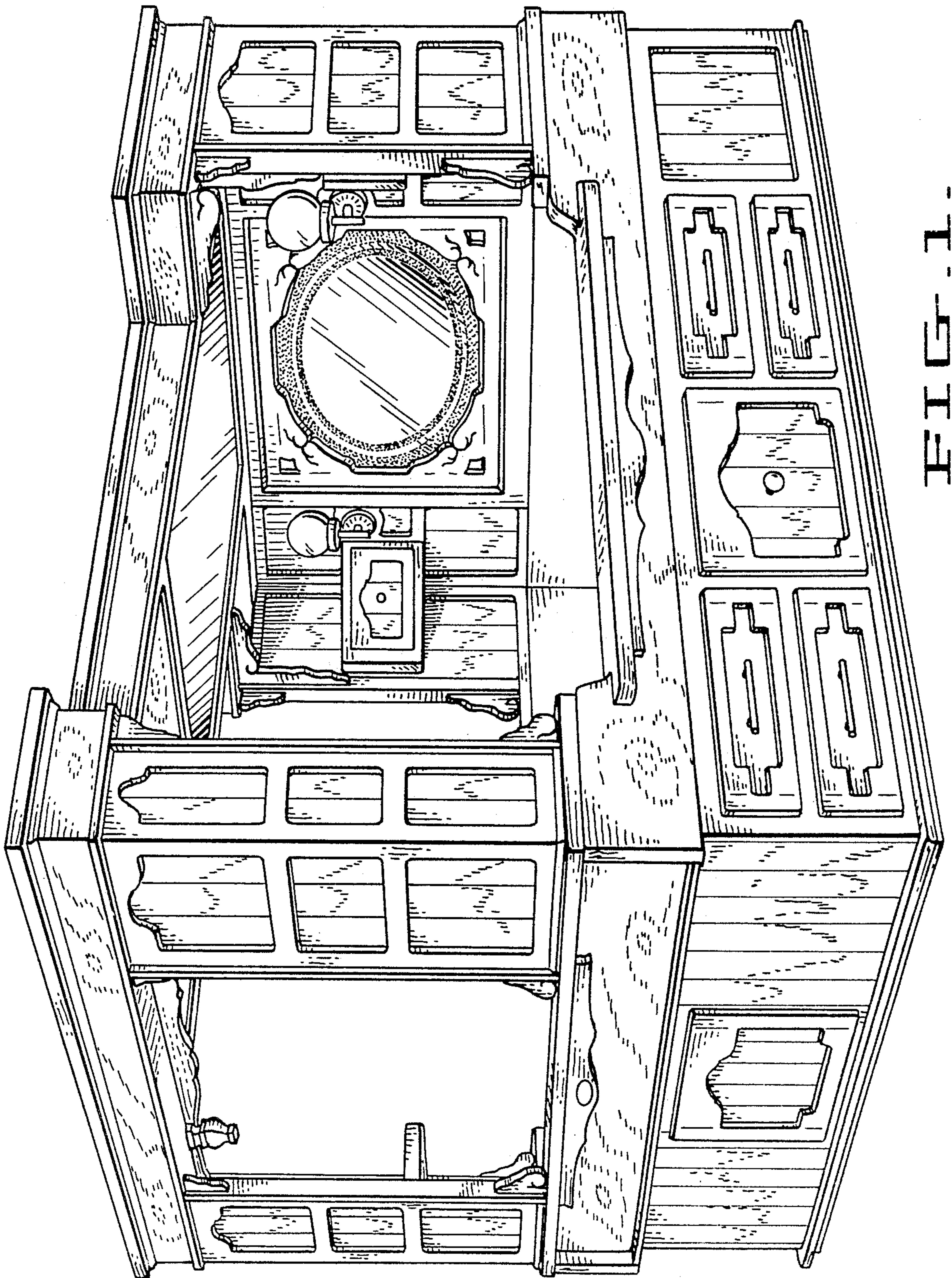


FIG. 1.

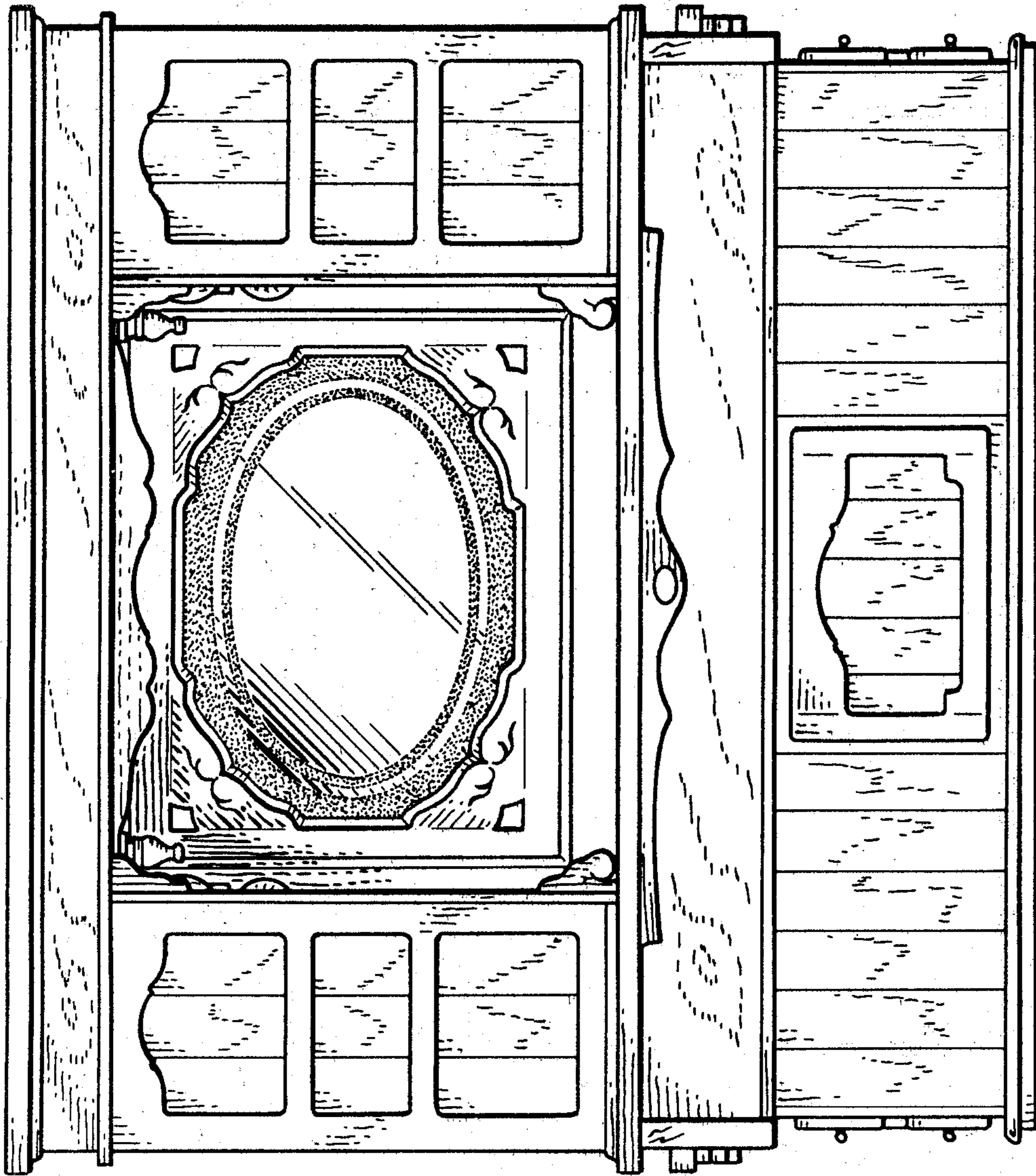


FIG. 2.

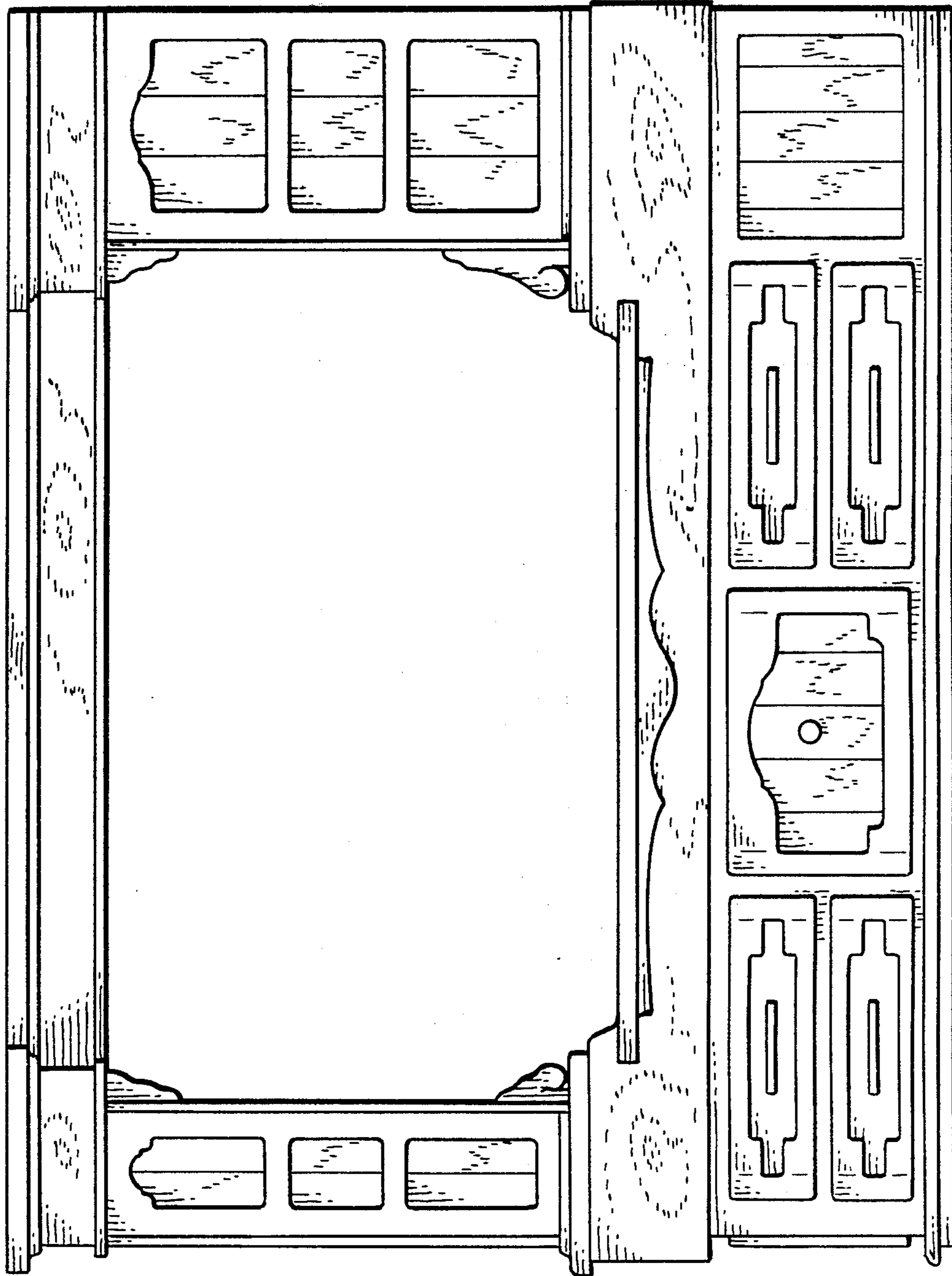


FIG. 3.

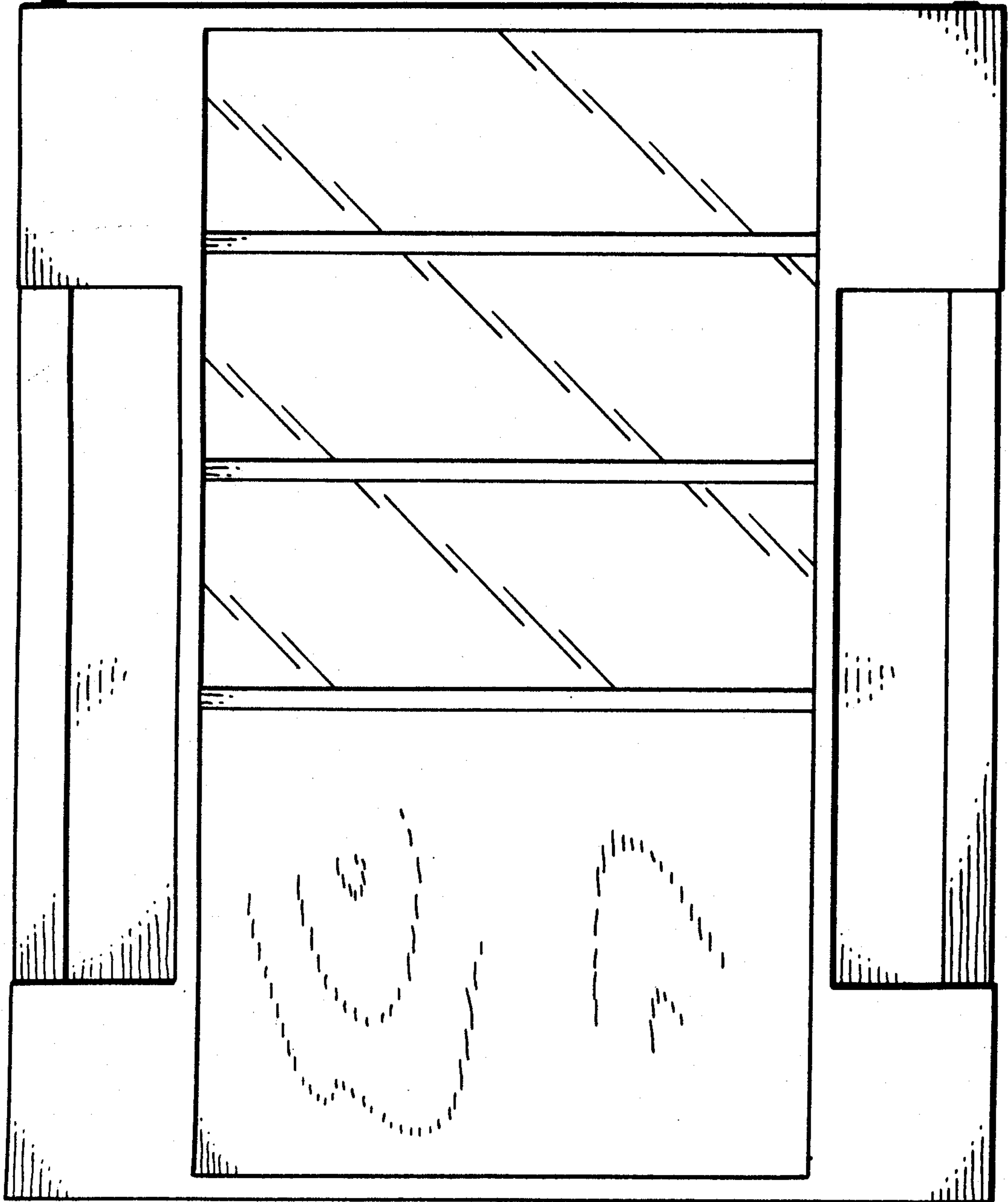


FIG. 4.

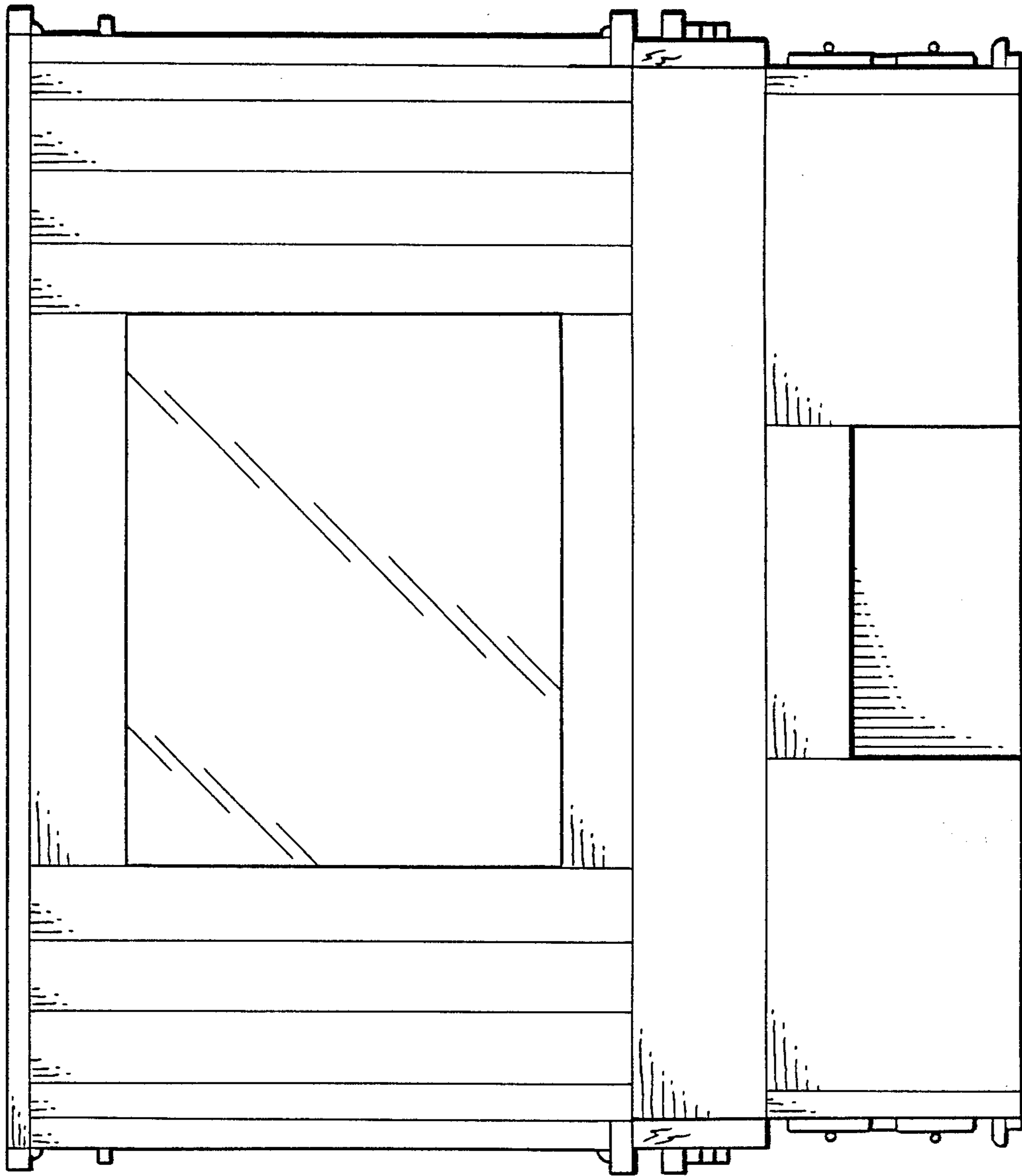


FIG. 5.