

[54] ARMCHAIR

[75] Inventor: Jan H. Matthias, Beverly Hills, Calif.

[73] Assignee: Casa Bella Imports, Inc., Miami, Fla.

[**] Term: 14 Years

[21] Appl. No.: 340,873

[22] Filed: Jan. 19, 1982

[52] U.S. Cl. D6/372; D6/375

[58] Field of Search D6/47-78

[56] References Cited

U.S. PATENT DOCUMENTS

- D. 105,664 8/1937 Jiranek D6/71
- D. 171,900 4/1954 Leather D6/71

- D. 229,908 1/1974 Costabile D6/71 X
- D. 239,745 5/1976 Gold D6/71 X
- D. 249,410 9/1978 Dranger et al. D6/71 X

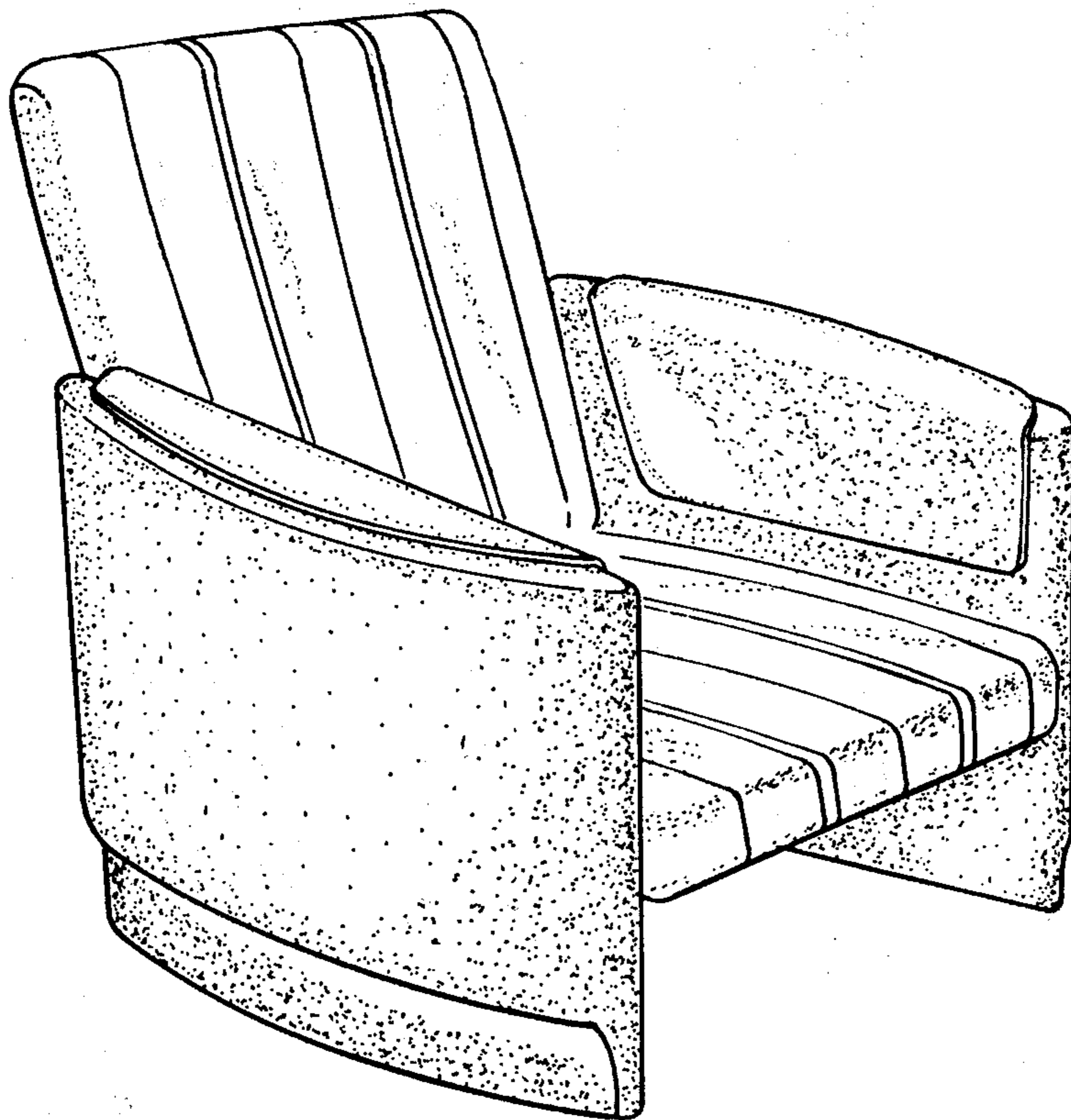
Primary Examiner—Bruce W. Dunkins
Attorney, Agent, or Firm—Eric T. S. Chung

[57] CLAIM

The ornamental design for an armchair, as shown and described.

DESCRIPTION

FIG. 1 is a top perspective view of a single-seat sofa showing my new design; and FIG. 2 is an upside down perspective view thereof. The appearance of a right front perspective view is a mirror image of that shown in FIG. 1.



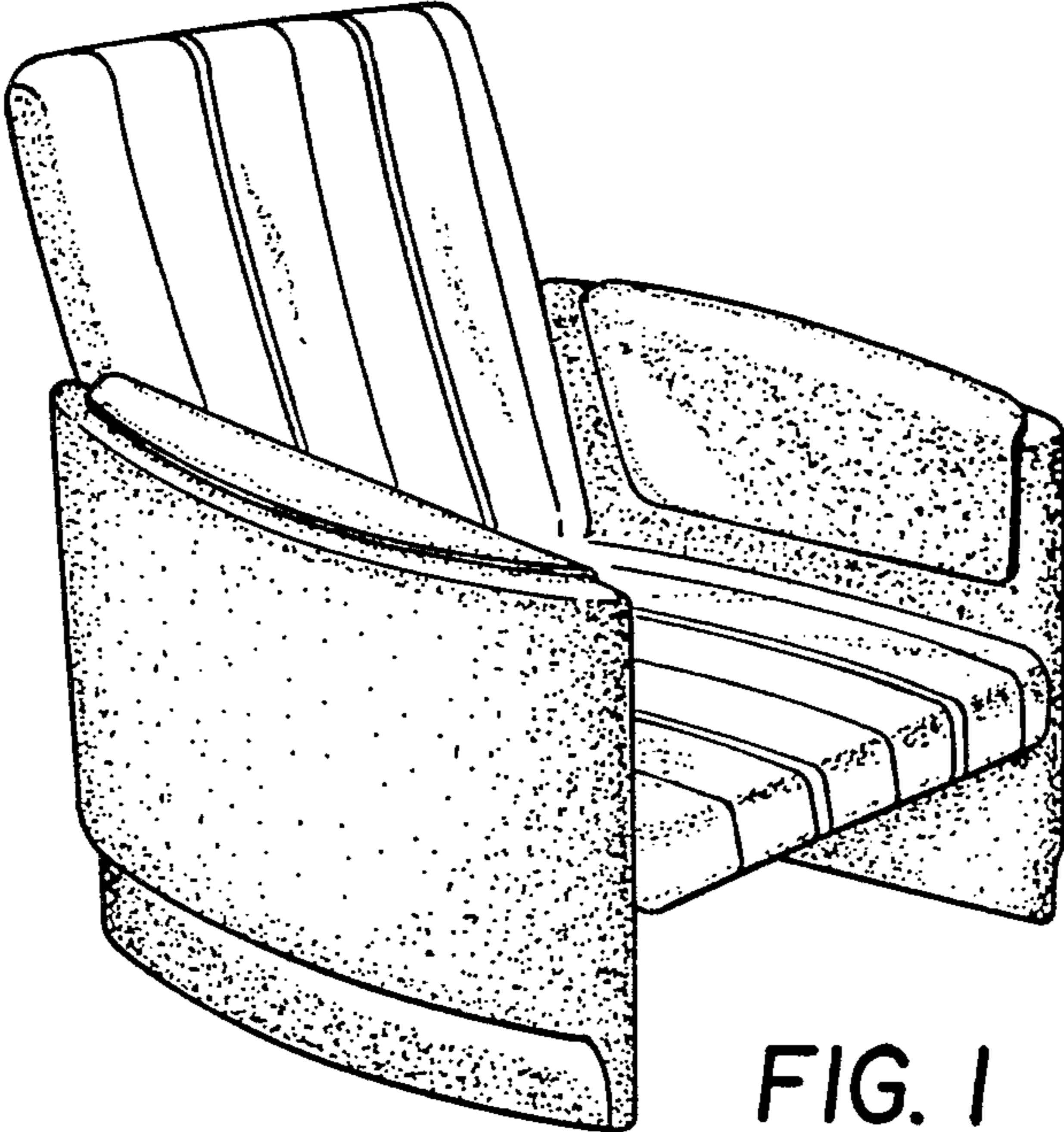


FIG. 1

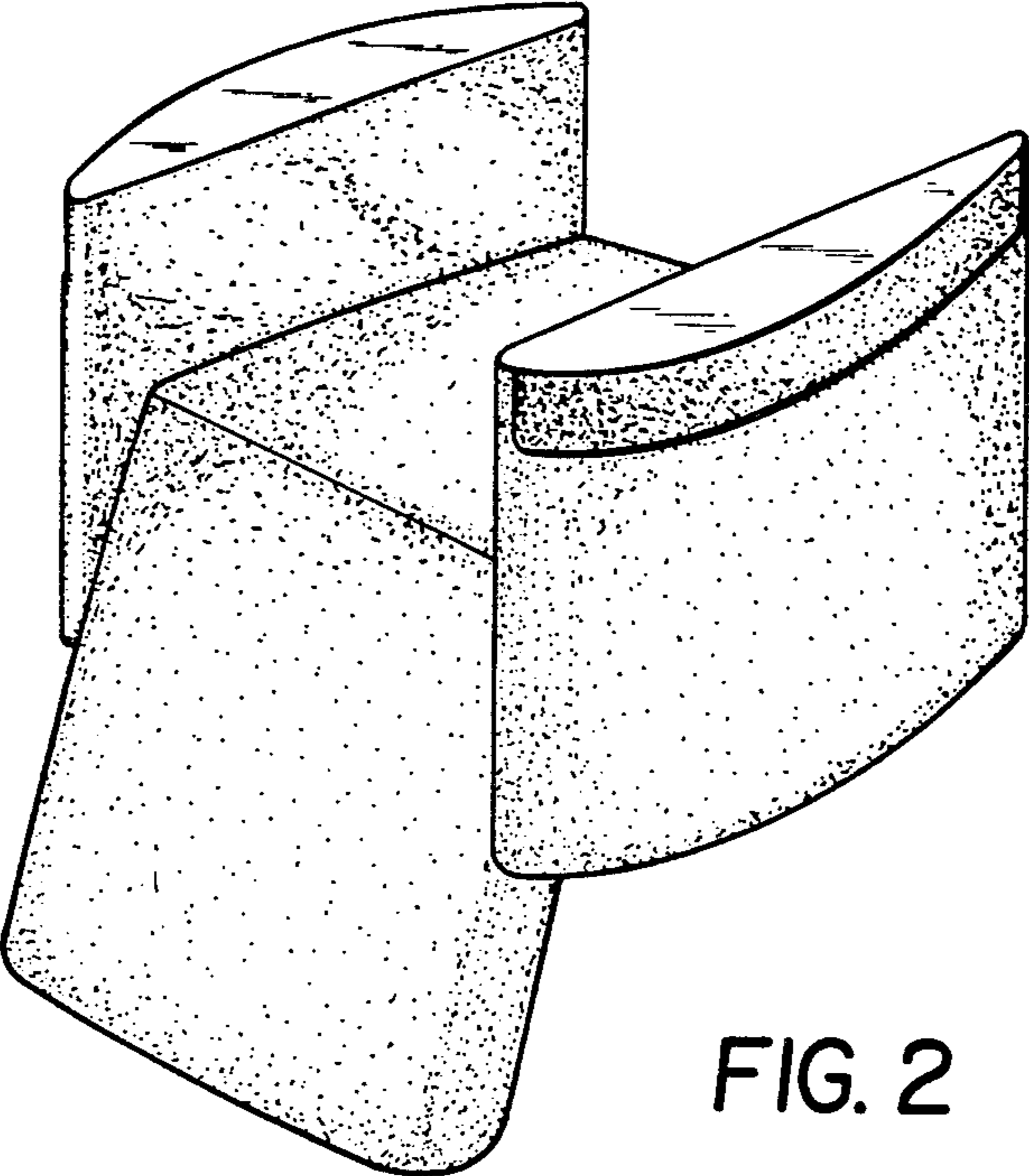


FIG. 2