

[54] CARPET CLEANING MACHINE

[76] Inventor: Mark Schmitz, P.O. Box 20751, Dallas, Tex. 75229

[**] Term: 14 Years

[21] Appl. No.: 268,881

[22] Filed: Jun. 1, 1981

[52] U.S. Cl. D32/15

[58] Field of Search D32/15; 15/320, 321, 15/322, 327 R, 327 D

[56] References Cited

U.S. PATENT DOCUMENTS

- 3,614,797 10/1971 Jones 15/321
- 3,837,539 7/1974 Schlegel 15/327 R
- 3,883,301 5/1975 Emrick et al. 15/321
- 3,909,197 9/1975 Cremers 15/321

FOREIGN PATENT DOCUMENTS

- 3017485 11/1981 Fed. Rep. of Germany 15/320

OTHER PUBLICATIONS

Industrial Equipment News, Feb. 80, p. 35, Clarke Tailor Mate Wet/Dry Vac.

Primary Examiner—Wallace R. Burke

Assistant Examiner—Lynn Wilder

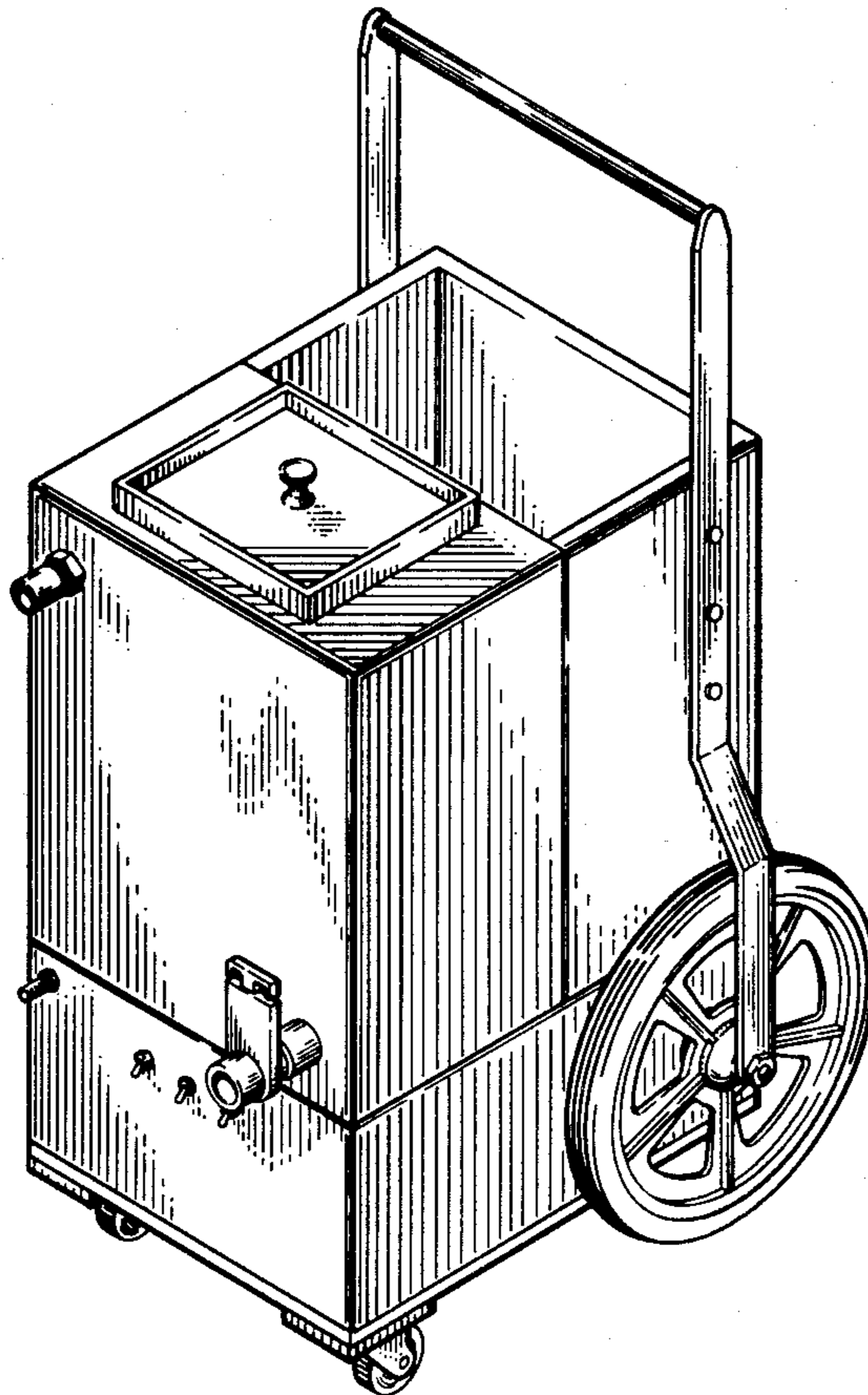
Attorney, Agent, or Firm—Stanley R. Moore; Thomas L. Crisman; Joseph H. Schley

[57] CLAIM

The ornamental design for the carpet cleaning machine, as shown and described.

DESCRIPTION

FIG. 1 is an enlarged perspective view of a carpet cleaning machine showing my new design;
 FIG. 2 is a top plan view thereof;
 FIG. 3 is a bottom plan view thereof; and
 FIG. 4 is a right side elevational view thereof;
 FIG. 5 is a front elevational view thereof;
 FIG. 6 is a left side elevational view thereof;
 FIG. 7 is a back elevational view thereof; and
 FIG. 8 is a perspective view of an alternate embodiment thereof, the undisclosed portions are substantially the same in appearance as that shown in FIGS. 2-7.



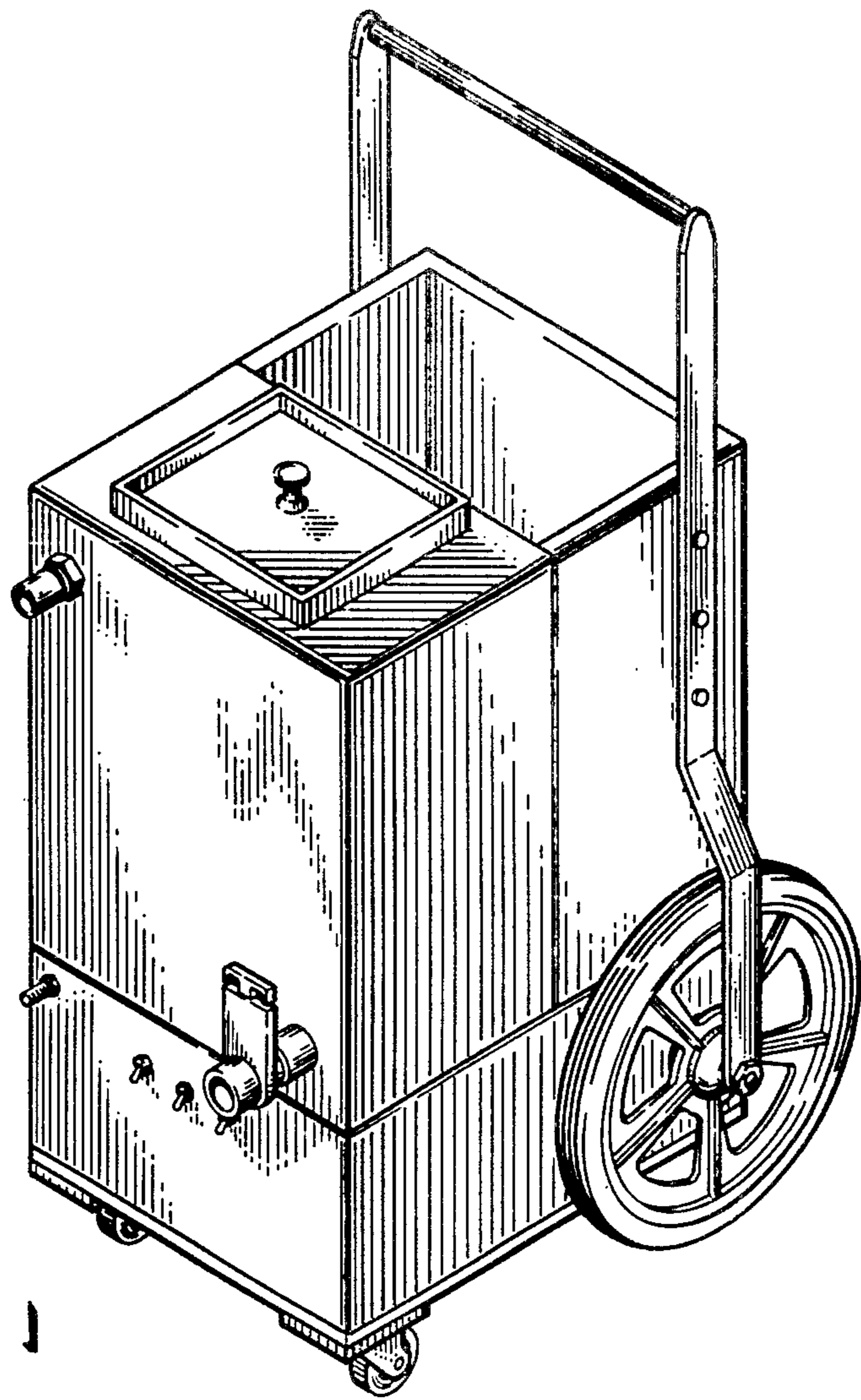


FIG. 1

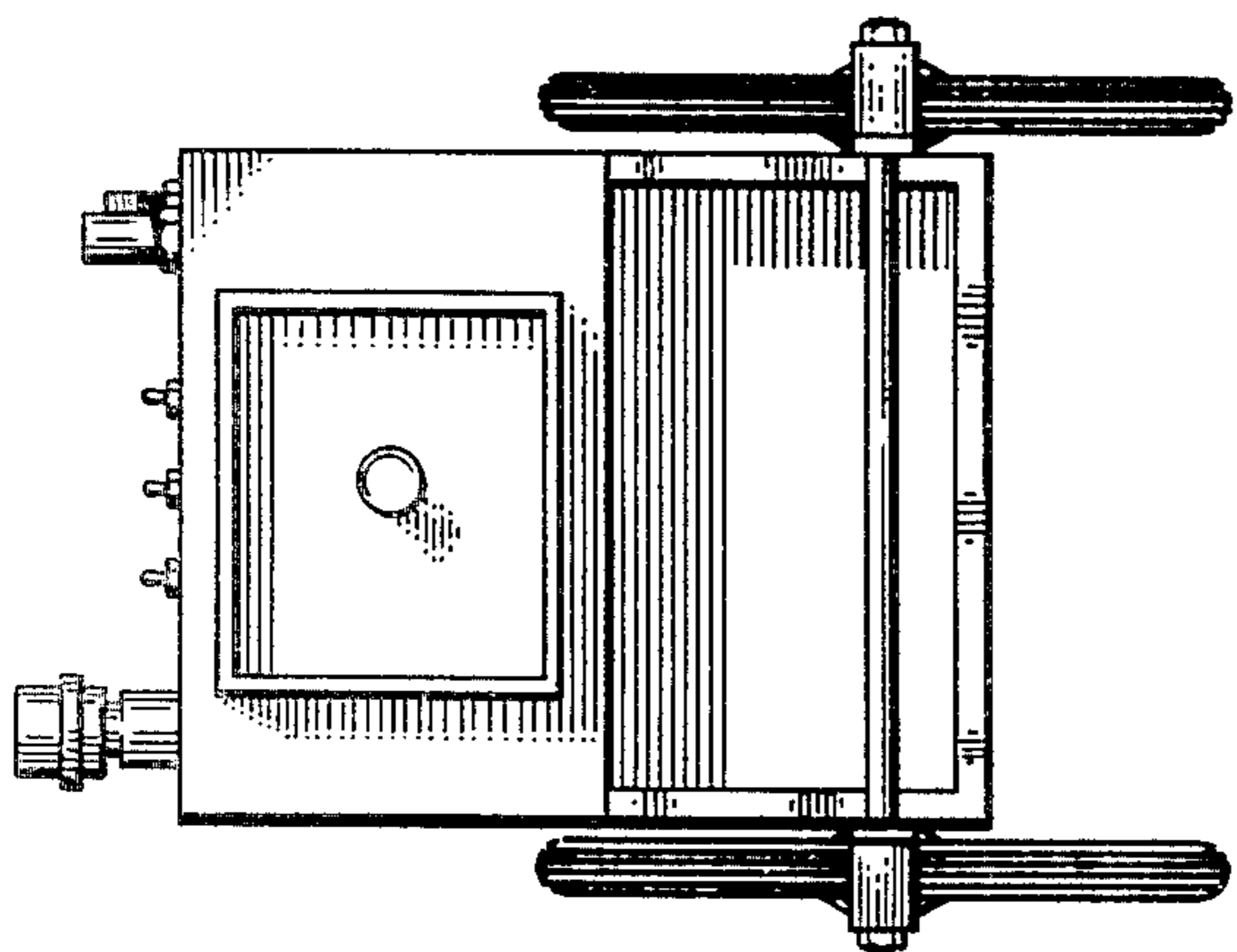


FIG. 2

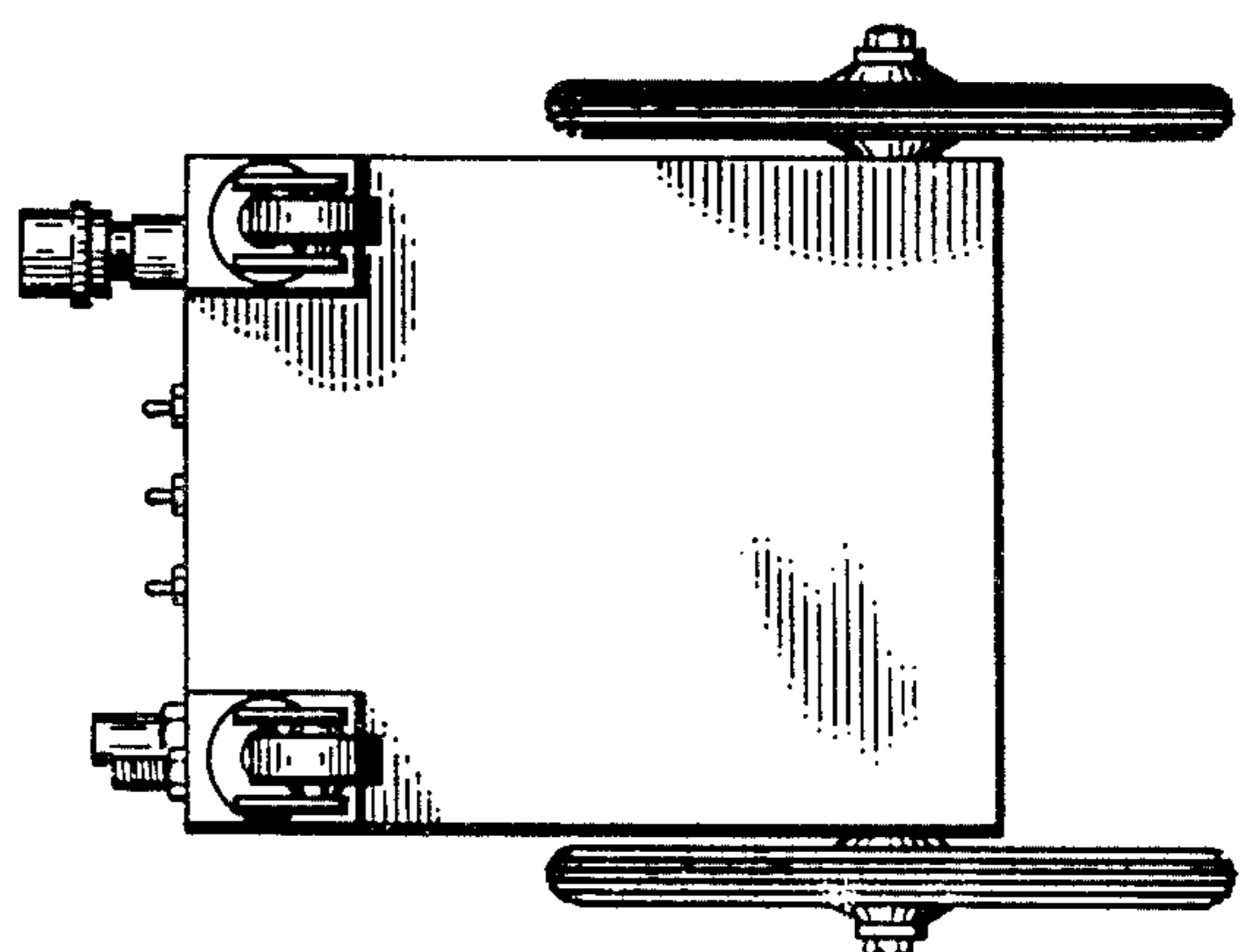


FIG. 3

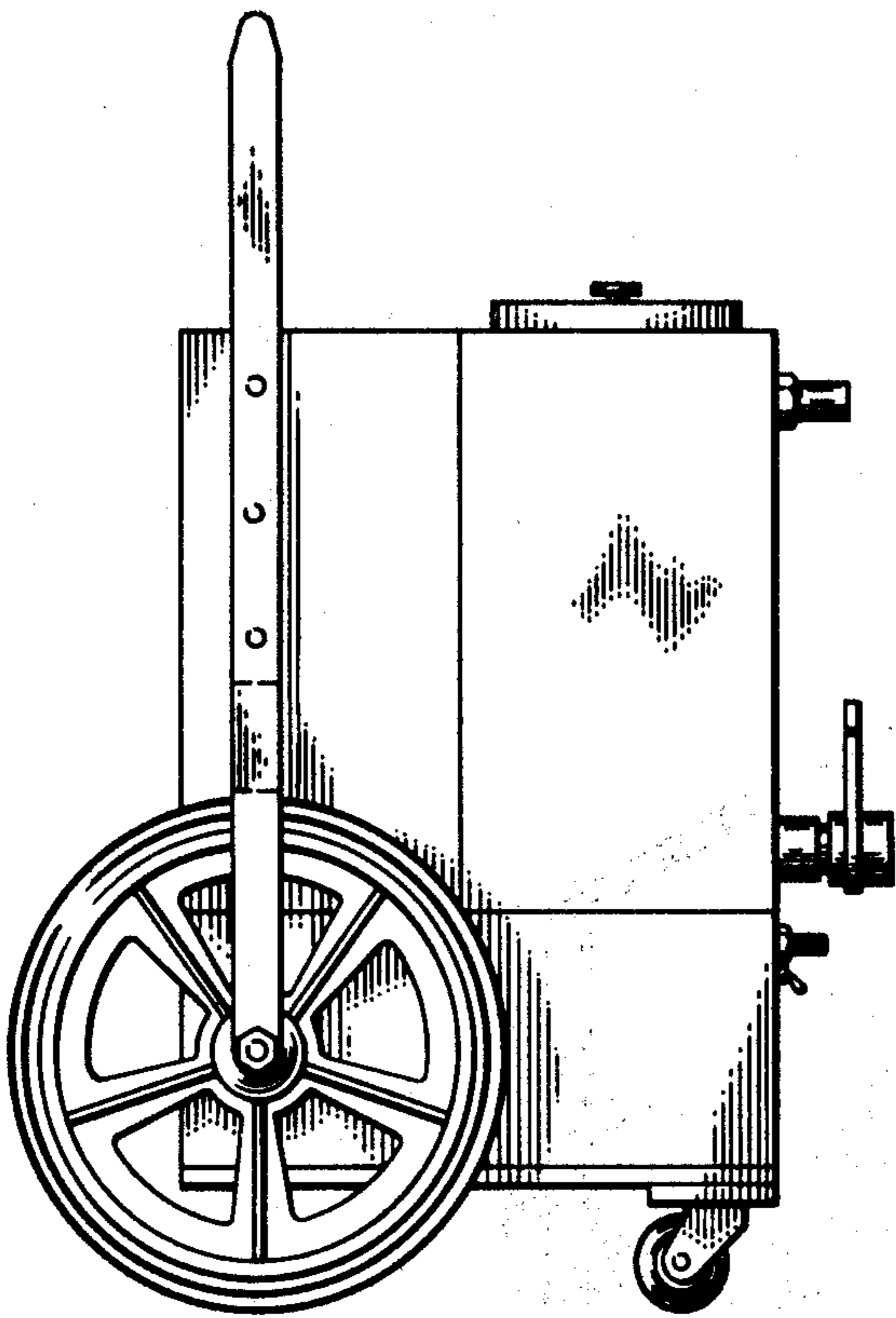


FIG. 4

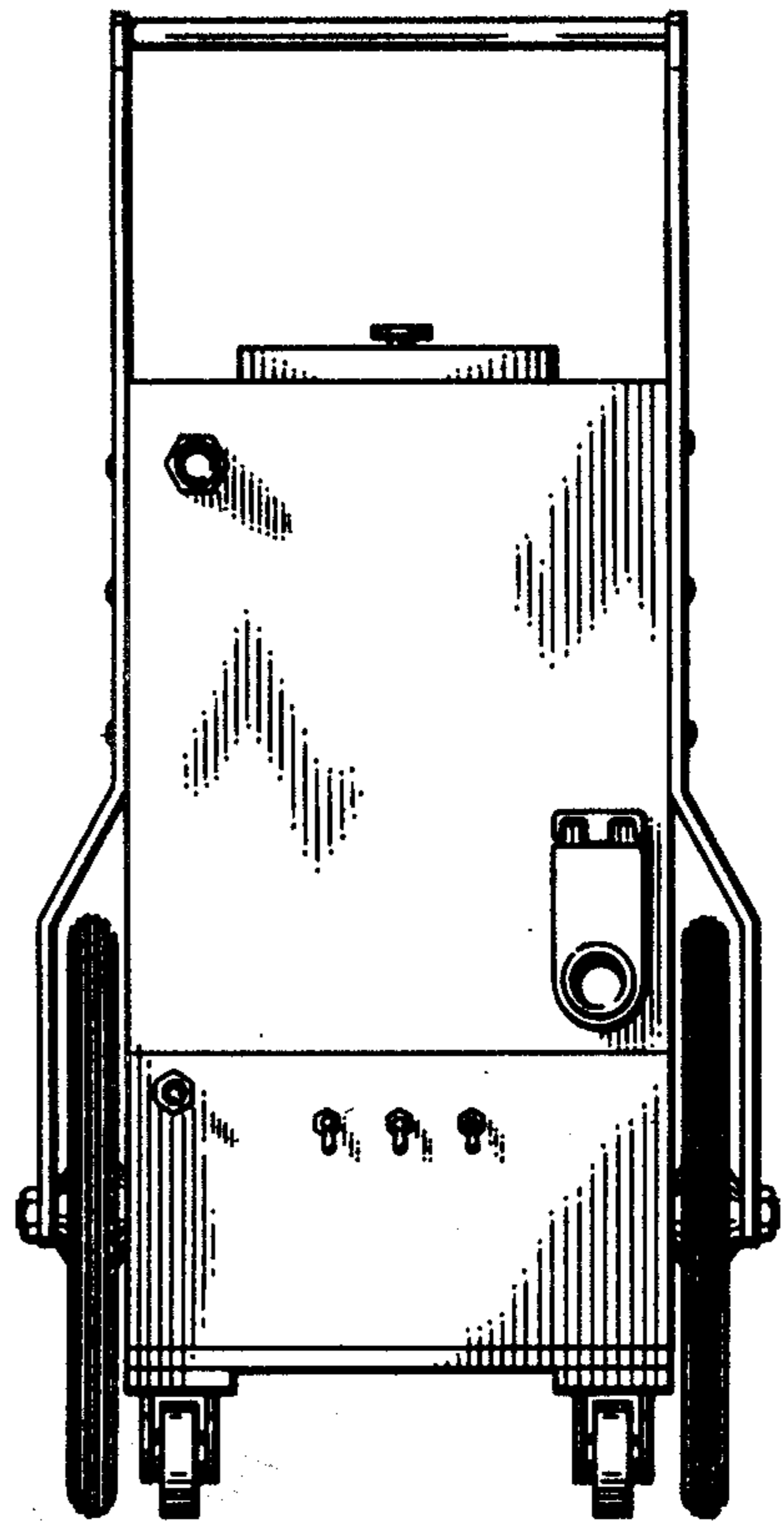


FIG. 5

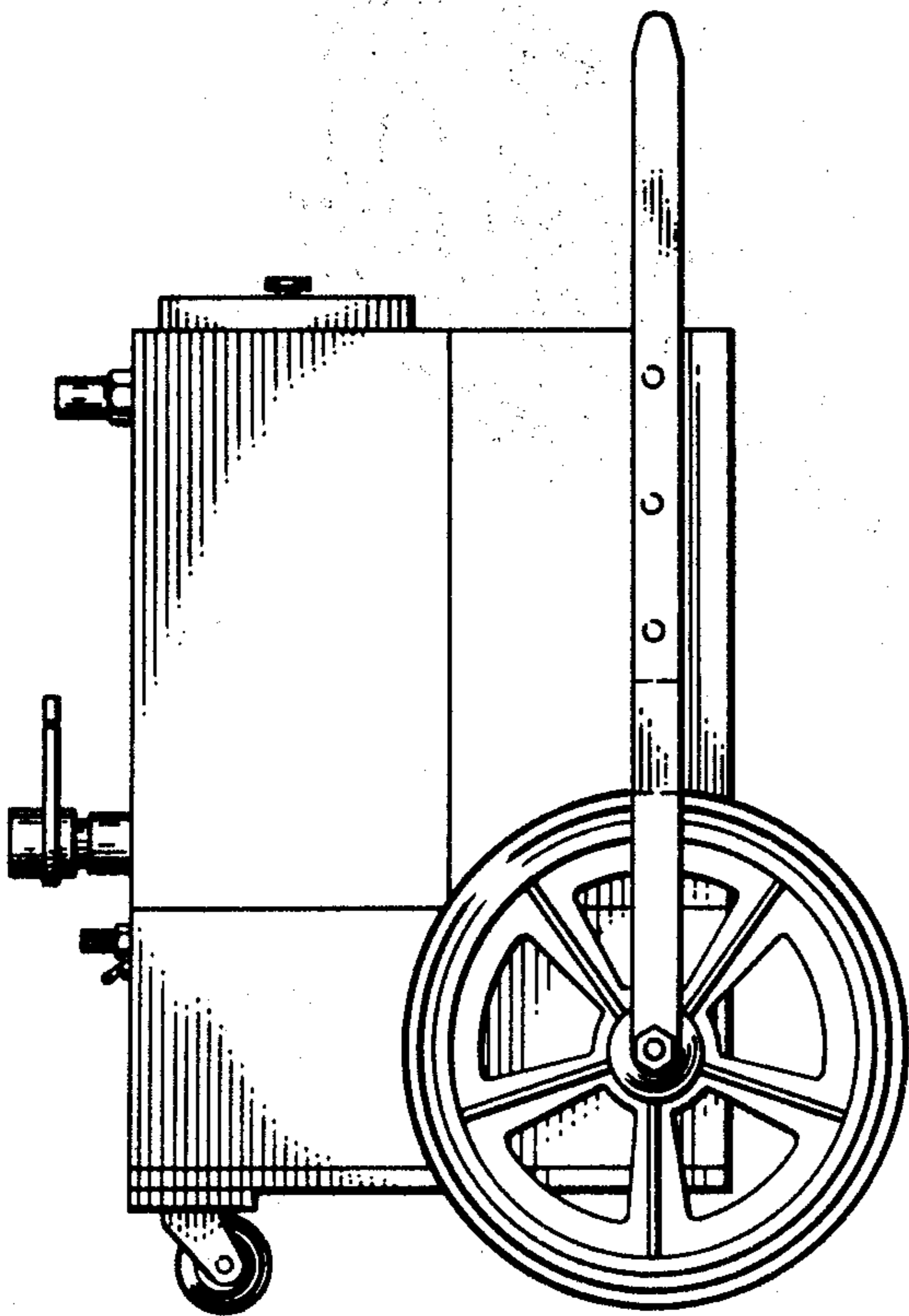


FIG. 6

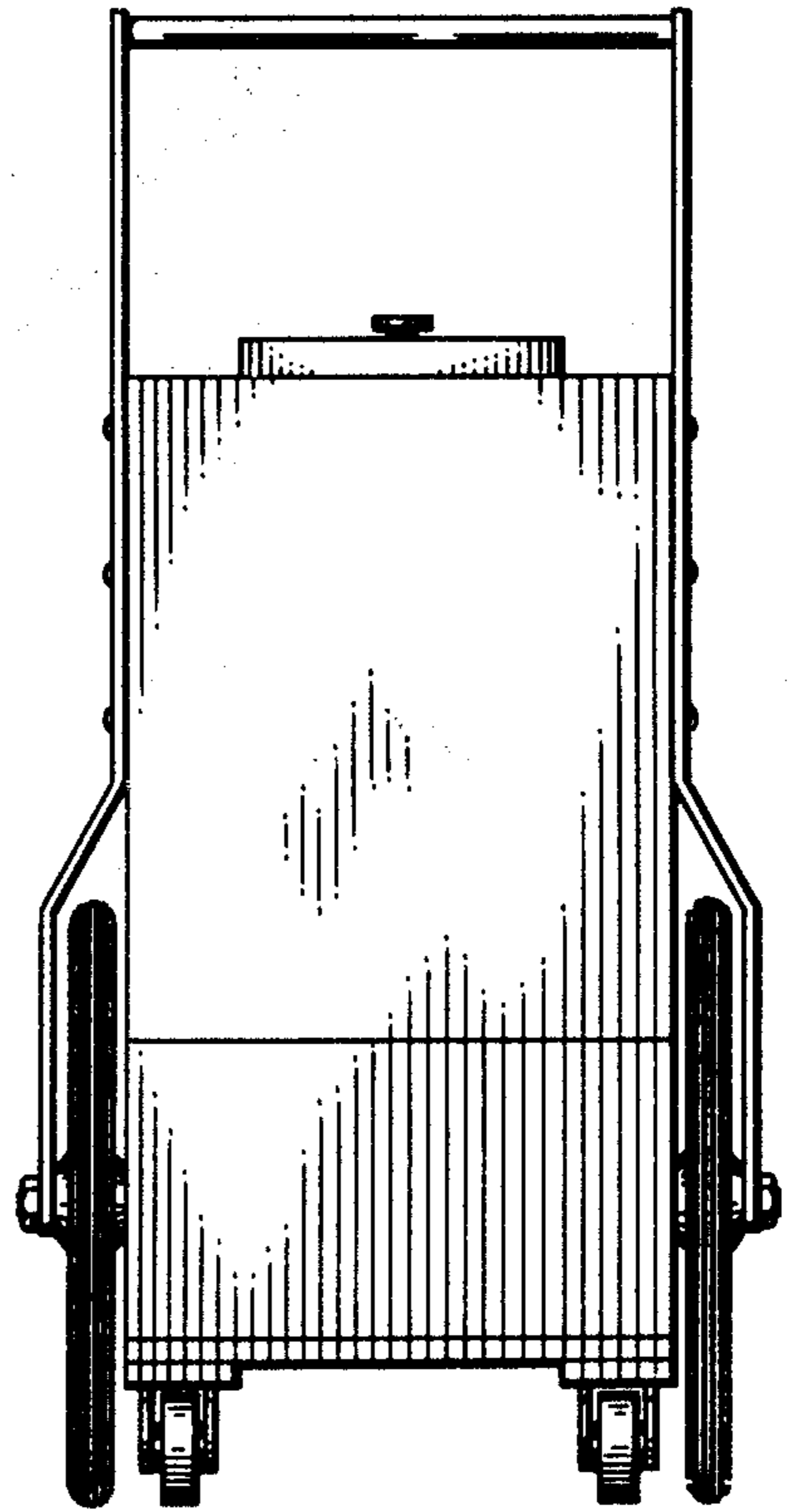


FIG. 7

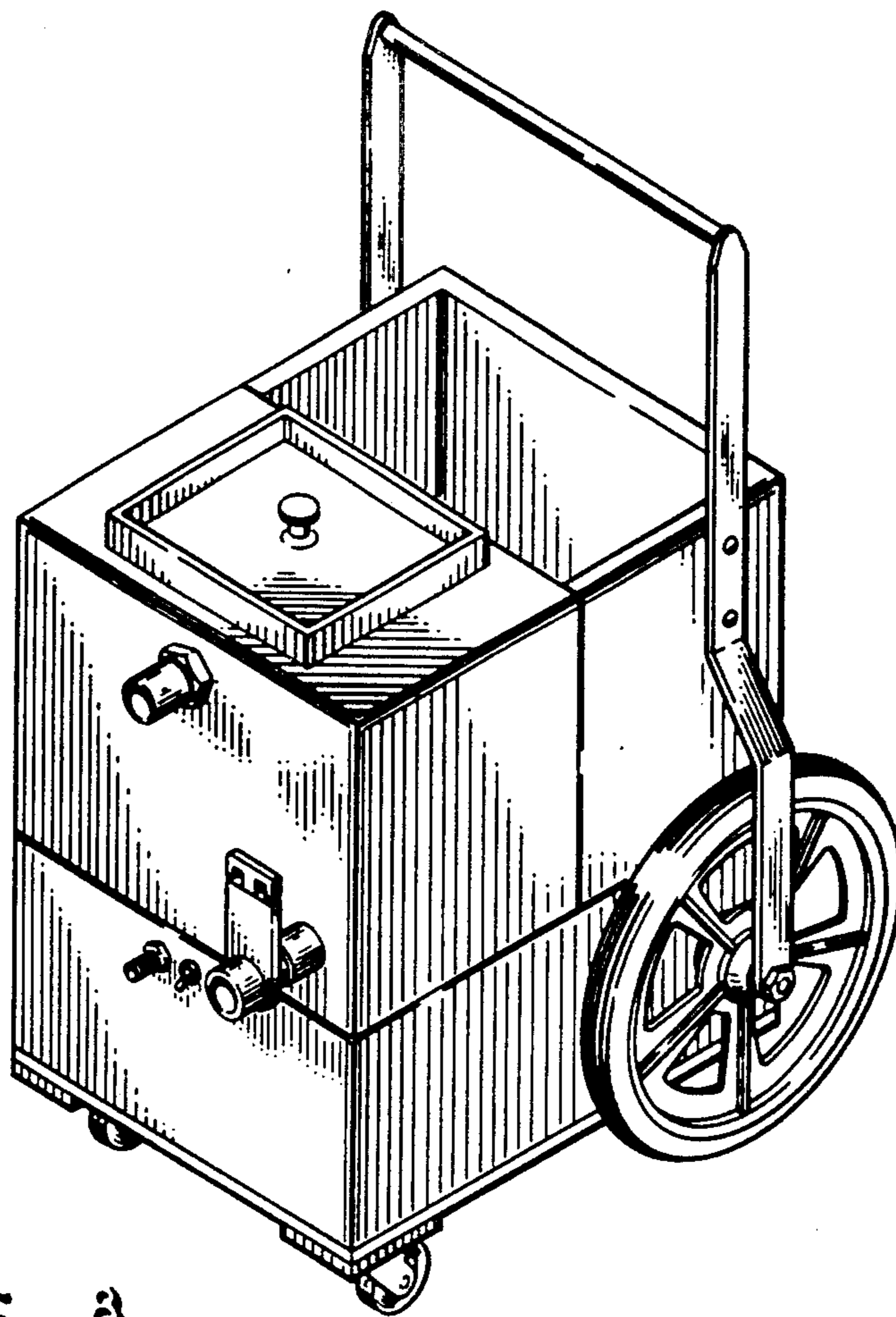


FIG. 3