

[54] HIGH PRESSURE HOT LIQUID CLEANING APPARATUS

[76] Inventor: Bob R. Smith, Rte. 1, Box 108AB, Siloam Springs, Ark. 72761

[**] Term: 14 Years

[21] Appl. No.: 428,447

[22] Filed: Sep. 29, 1982

[52] U.S. Cl. D32/1; D23/18

[58] Field of Search D32/1, 16; D23/18; 15/320, 340; 134/98, 99, 102, 169 A, 172, 190, 208

[56] References Cited

U.S. PATENT DOCUMENTS

- D. 122,147 8/1940 Ofeldt D23/18
- D. 188,068 5/1960 Snyder D32/1
- D. 196,958 11/1963 Goodrich D32/1

- D. 231,784 6/1974 Morehouse D23/18
- 2,889,837 6/1959 Braun et al. 134/99

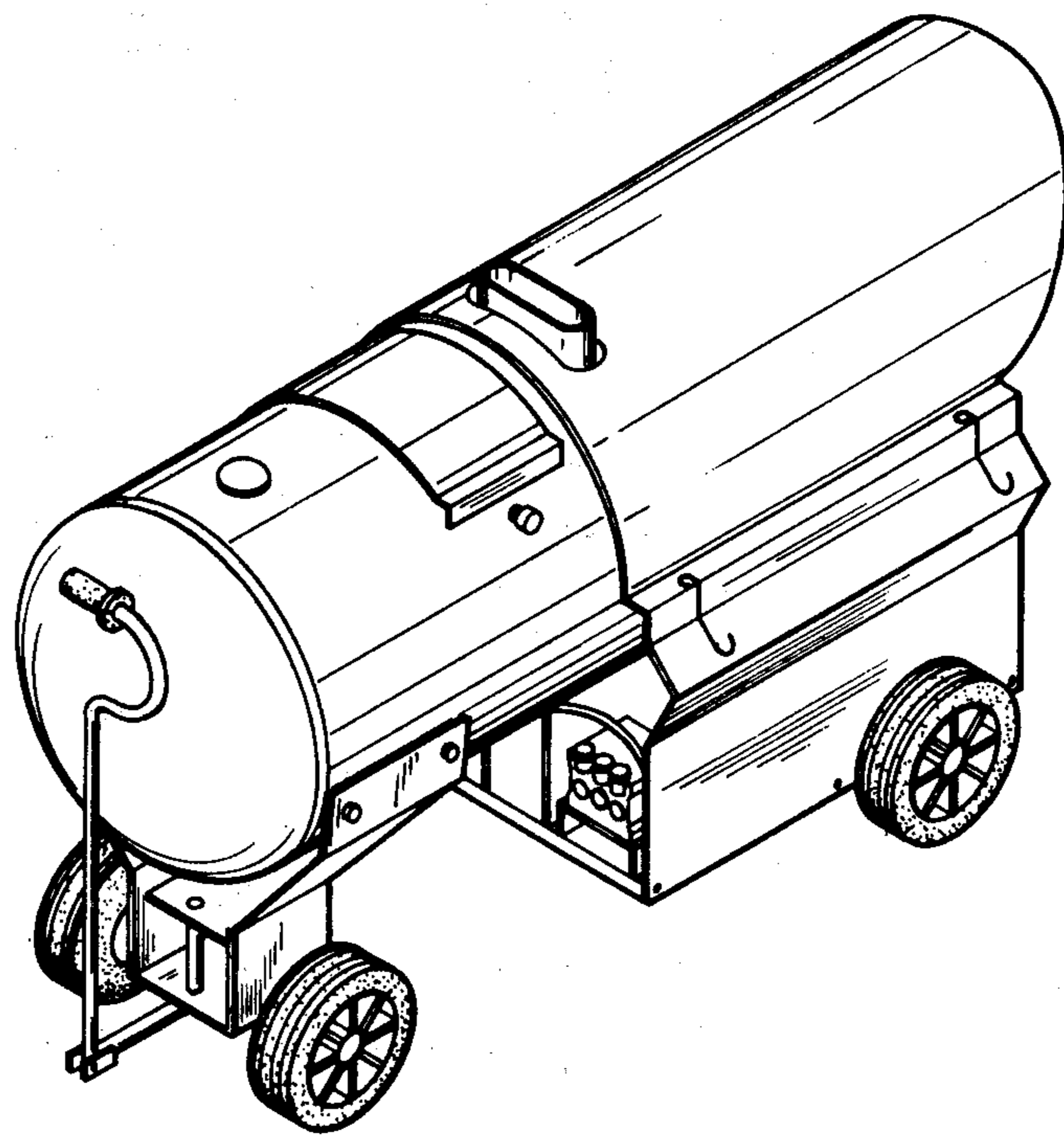
Primary Examiner—Wallace R. Burke
Assistant Examiner—Lynn Wilder
Attorney, Agent, or Firm—Robert R. Keegan

[57] CLAIM

The ornamental design for a high pressure hot liquid cleaning apparatus, as shown and described.

DESCRIPTION

FIG. 1 is an isometric view of a high pressure hot liquid cleaning apparatus embodying the design; FIG. 2 is a front elevational view thereof; FIG. 3 is a rear elevational view thereof; FIG. 4 is a right end elevational view thereof; FIG. 5 is a left end elevational view thereof; FIG. 6 is a top plan view thereof; and FIG. 7 is a bottom plan view thereof.



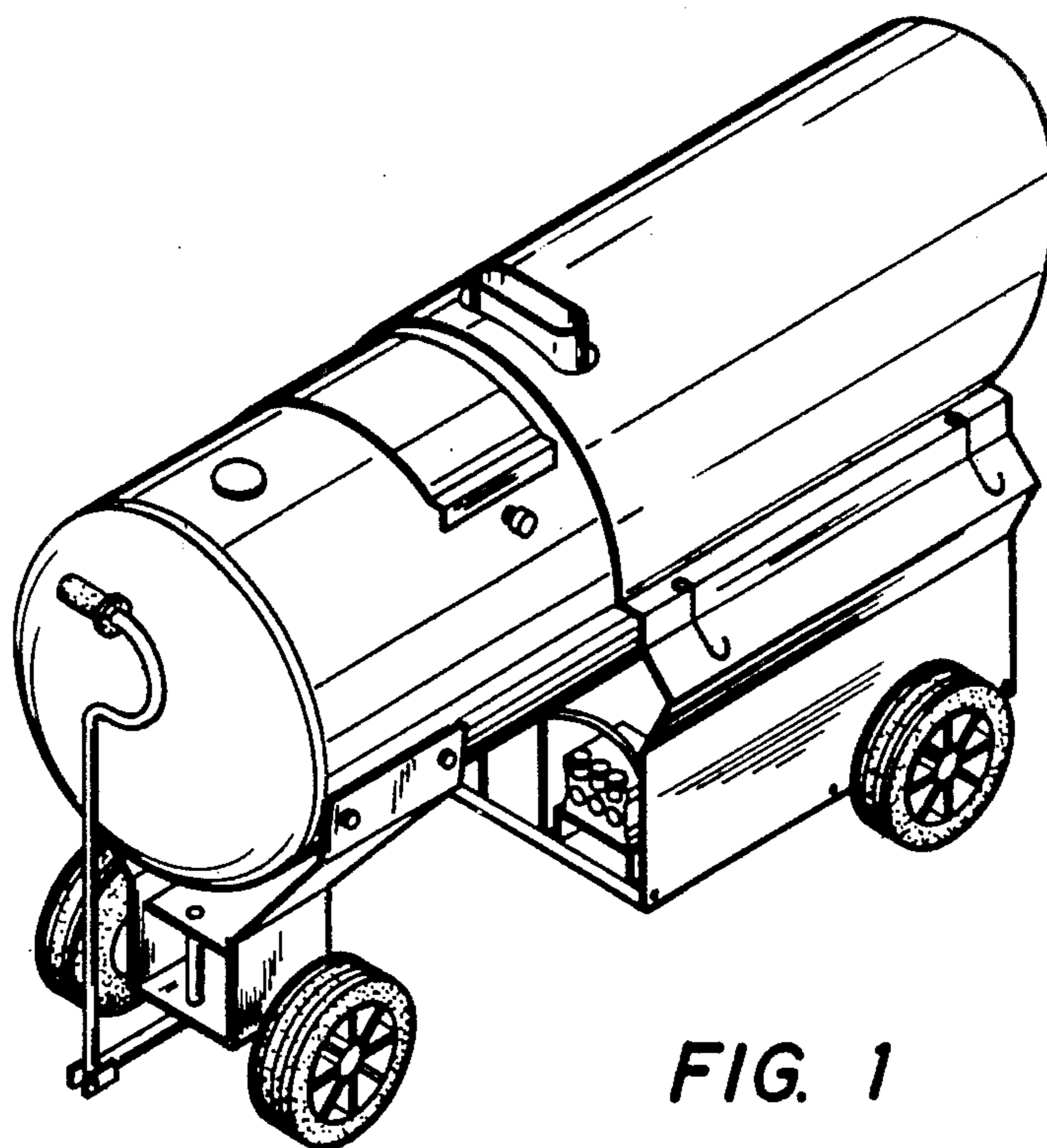


FIG. 1

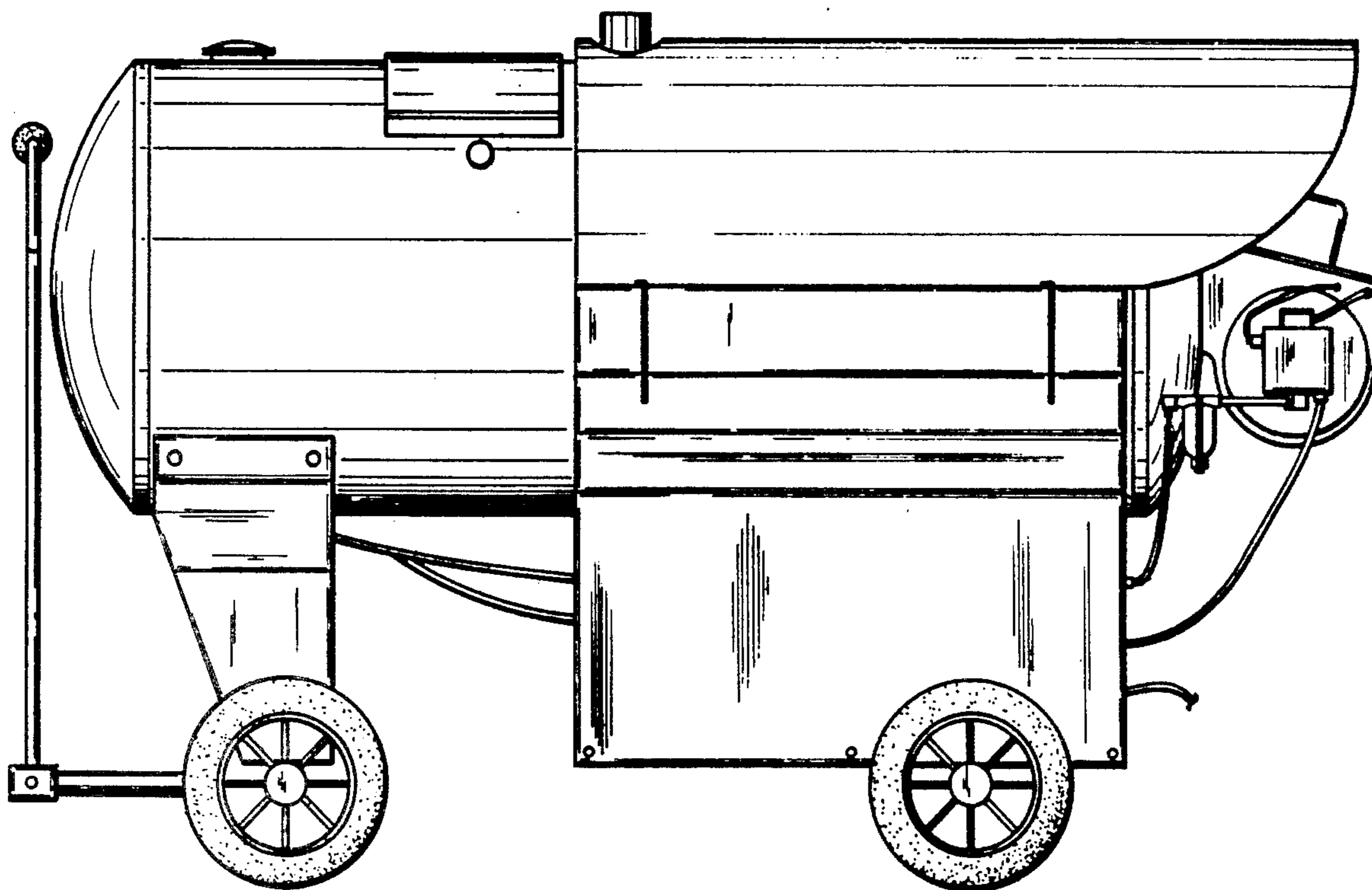


FIG. 2

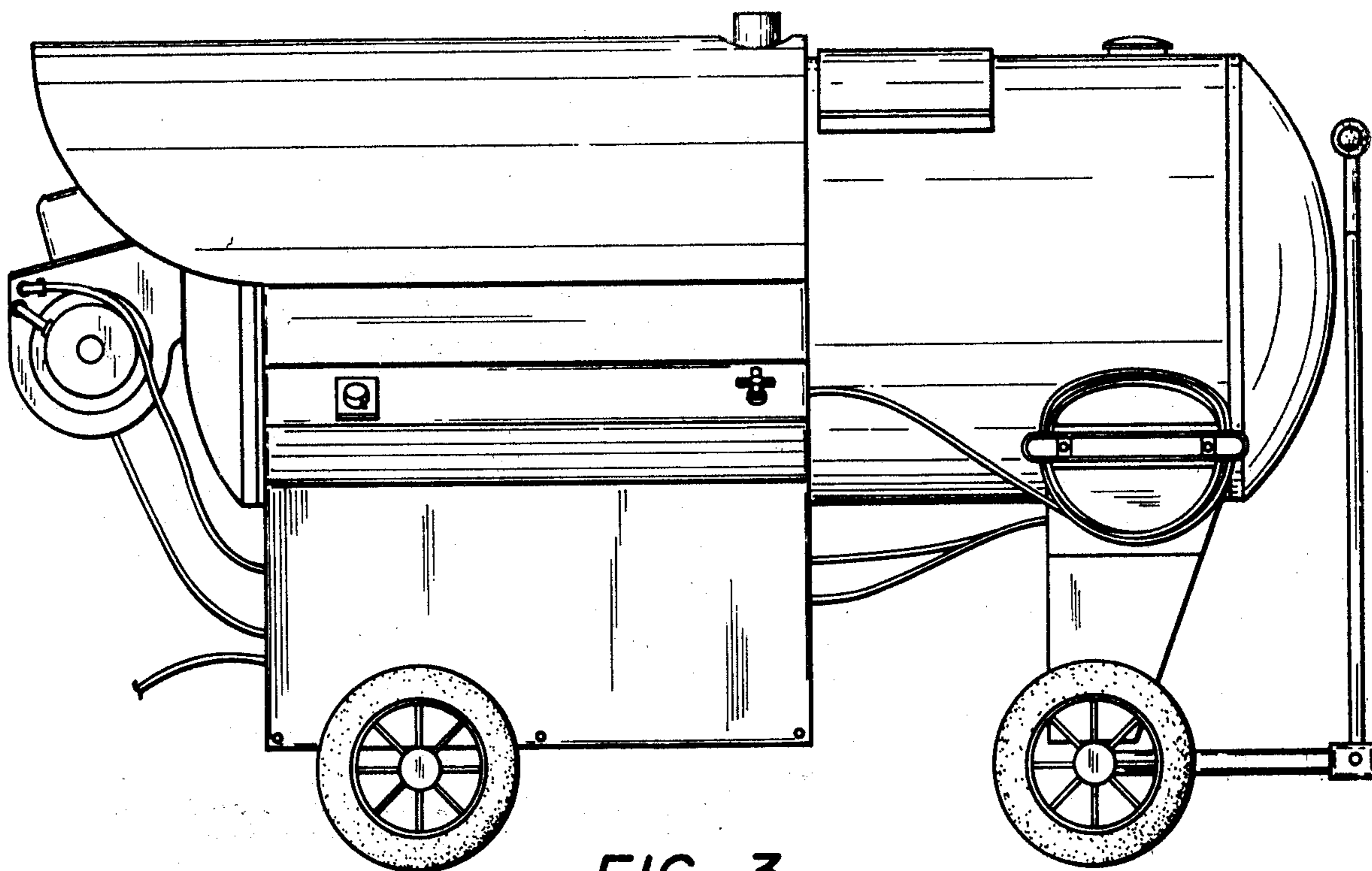


FIG. 3

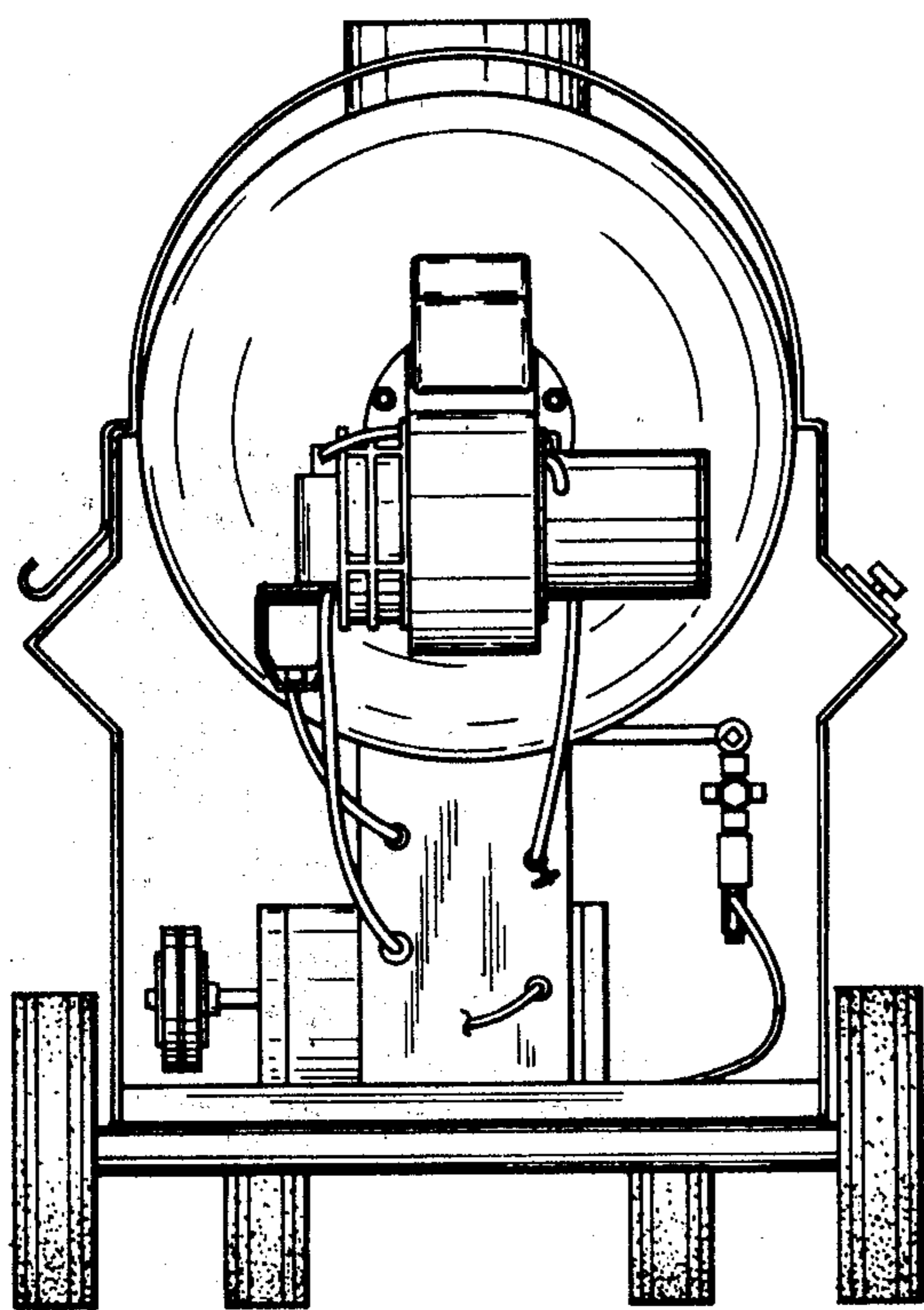


FIG. 4

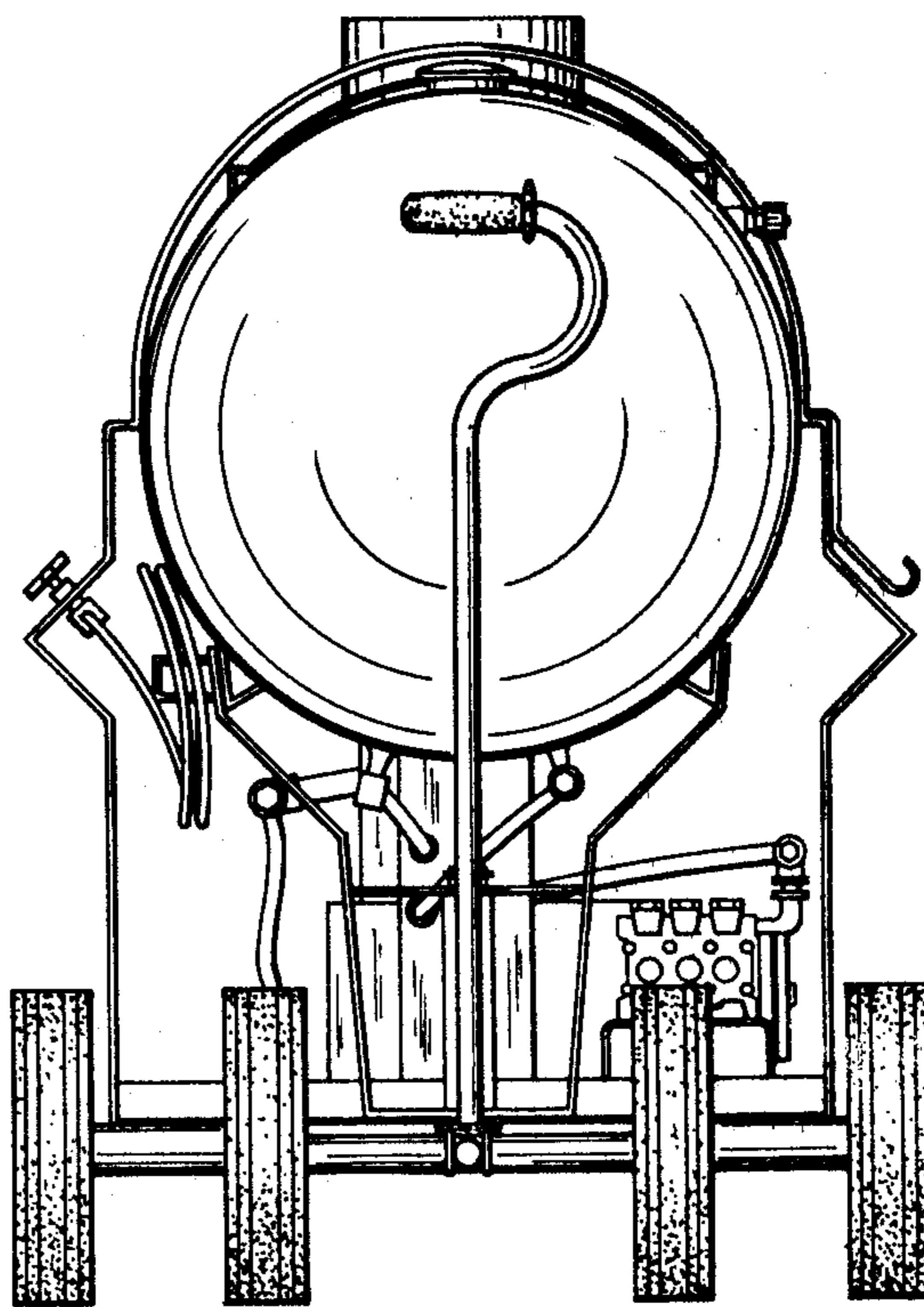


FIG. 5

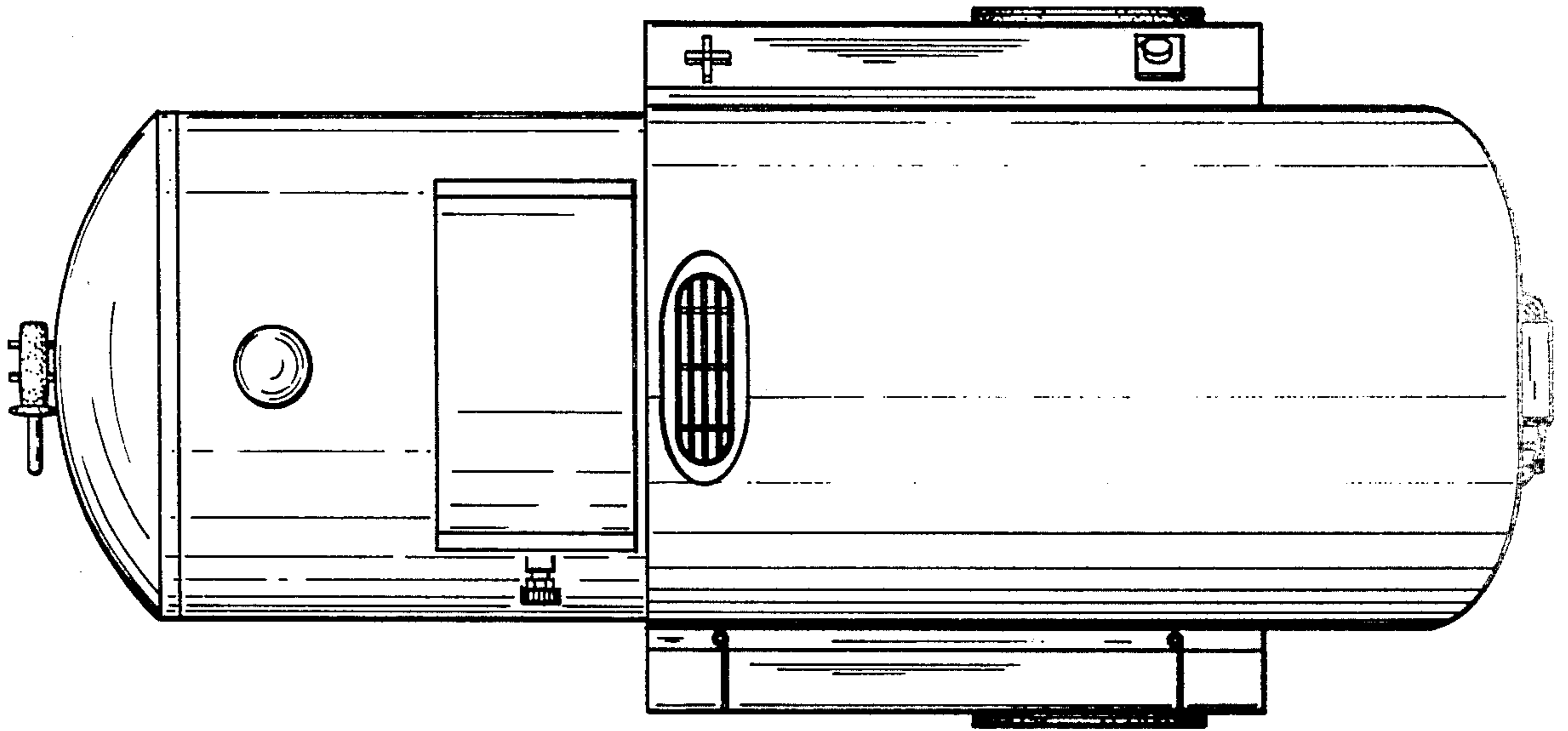


FIG. 6

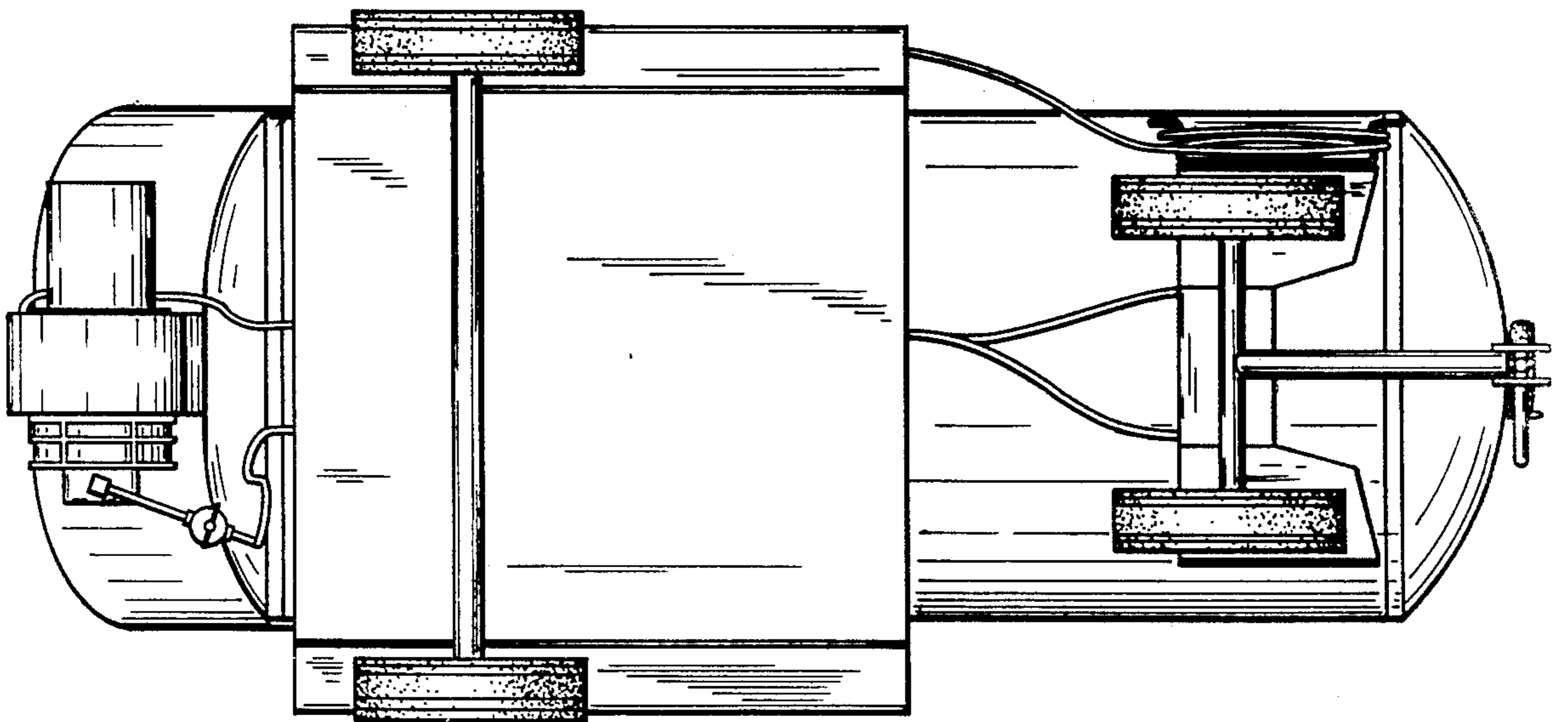


FIG. 7