

[54] GAS FILTER CONTAINER FOR A RESPIRATOR

[75] Inventor: James D. Cleary, Monrovia, Calif.

[73] Assignee: Figgie International Inc., Willoughby, Ohio

[**] Term: 14 Years

[21] Appl. No.: 294,489

[22] Filed: Aug. 20, 1981

[52] U.S. Cl. D29/7; D23/149

[58] Field of Search D23/4, 149; D24/7, 8, D24/99; 55/DIG. 33, DIG. 35; 128/201.25, 205.12, 205.27, 205.28, 205.29, 206.15, 206.17

[56] References Cited

U.S. PATENT DOCUMENTS

D. 150,569	8/1948	Haller	D29/7
D. 199,344	10/1964	Silverman	D29/7
D. 226,874	5/1973	Dryden	D23/4
D. 234,721	4/1975	Rosenberg	D29/7
D. 242,459	11/1976	Gerst	D23/149
D. 243,458	2/1977	Pall	D23/149
D. 243,768	3/1977	Hinojosa	D23/4

D. 263,496	3/1982	Kimball et al.	D23/149
2,104,016	1/1938	Biggs	55/DIG. 35 X
2,577,606	12/1951	Conley	55/503
2,642,061	6/1953	Boyer	55/503 X
3,202,150	8/1965	Miller	55/DIG. 35 X
3,496,703	2/1970	MacLeod et al.	55/356 X
4,088,461	5/1978	Braver	55/DIG. 35 X

FOREIGN PATENT DOCUMENTS

379381 9/1932 United Kingdom 55/DIG. 33

Primary Examiner—James R. Largen

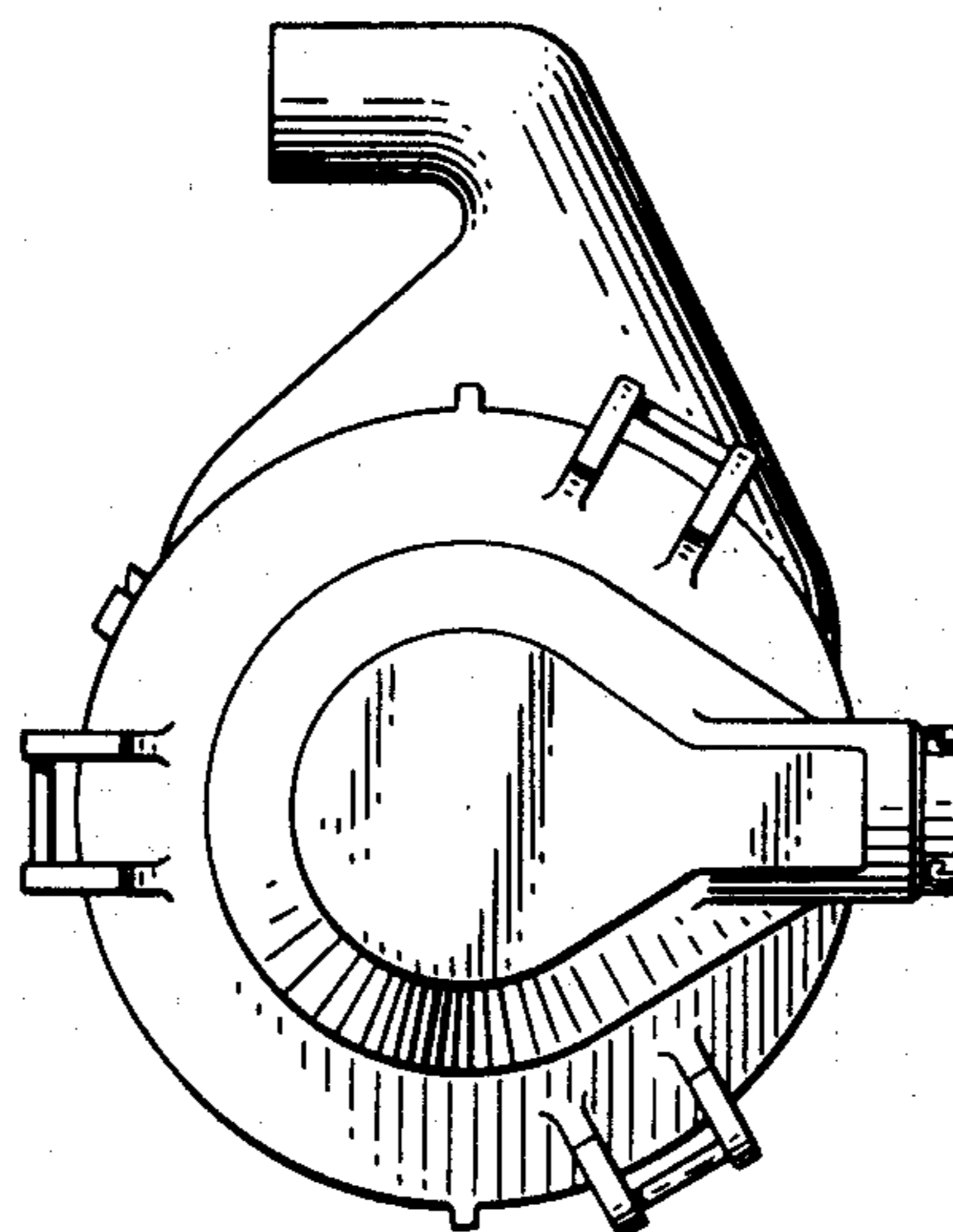
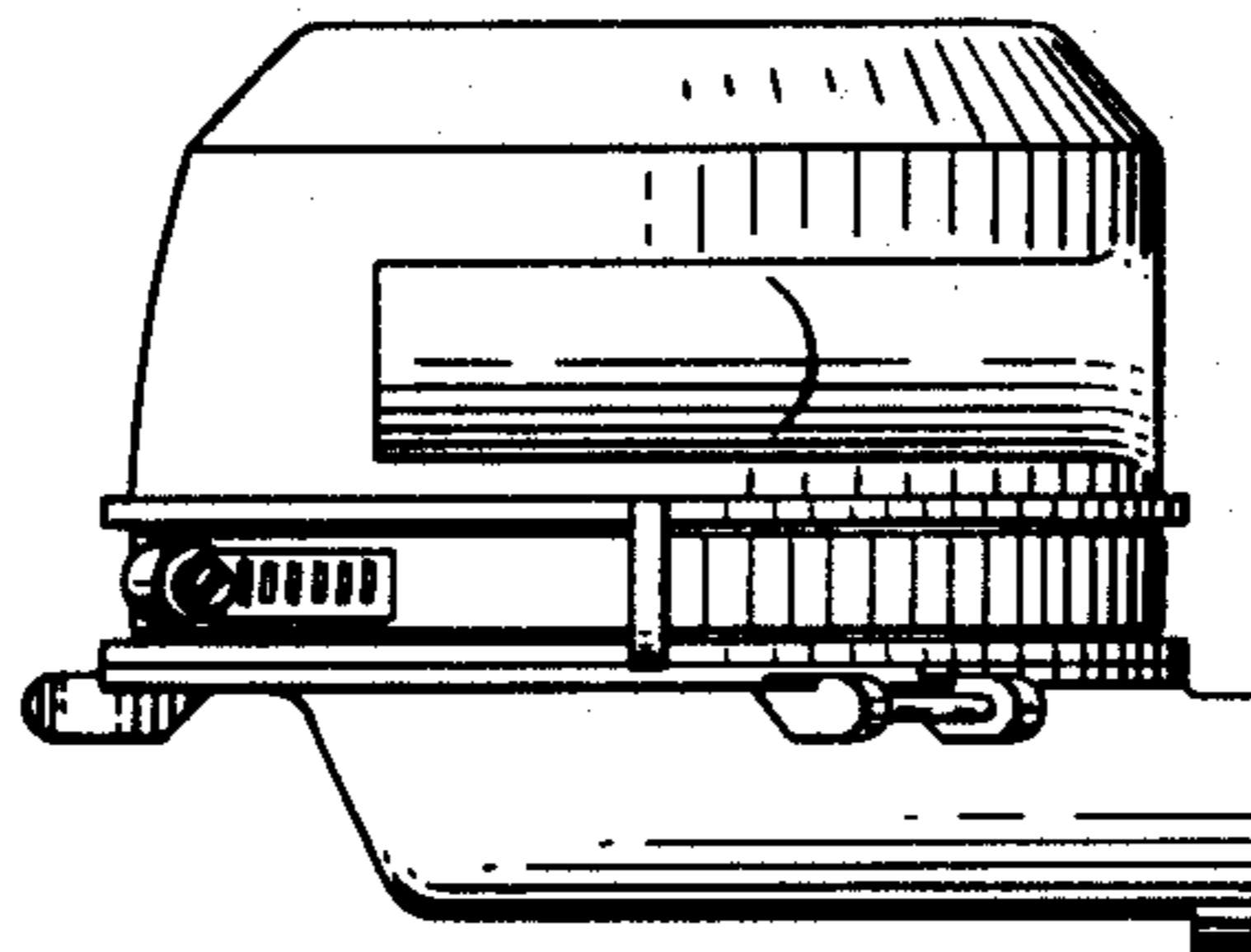
Attorney, Agent, or Firm—Christel, Bean & Linihan

[57] CLAIM

The ornamental design for a gas filter container for a respirator, substantially as shown and described.

DESCRIPTION

FIG. 1 is a front view of a gas filter container for a respirator showing my new design; FIG. 2 is a rear view thereof; FIG. 3 is a top view thereof; FIG. 4 is a bottom view thereof; FIG. 5 is a right side view thereof; and FIG. 6 is a left side view thereof.



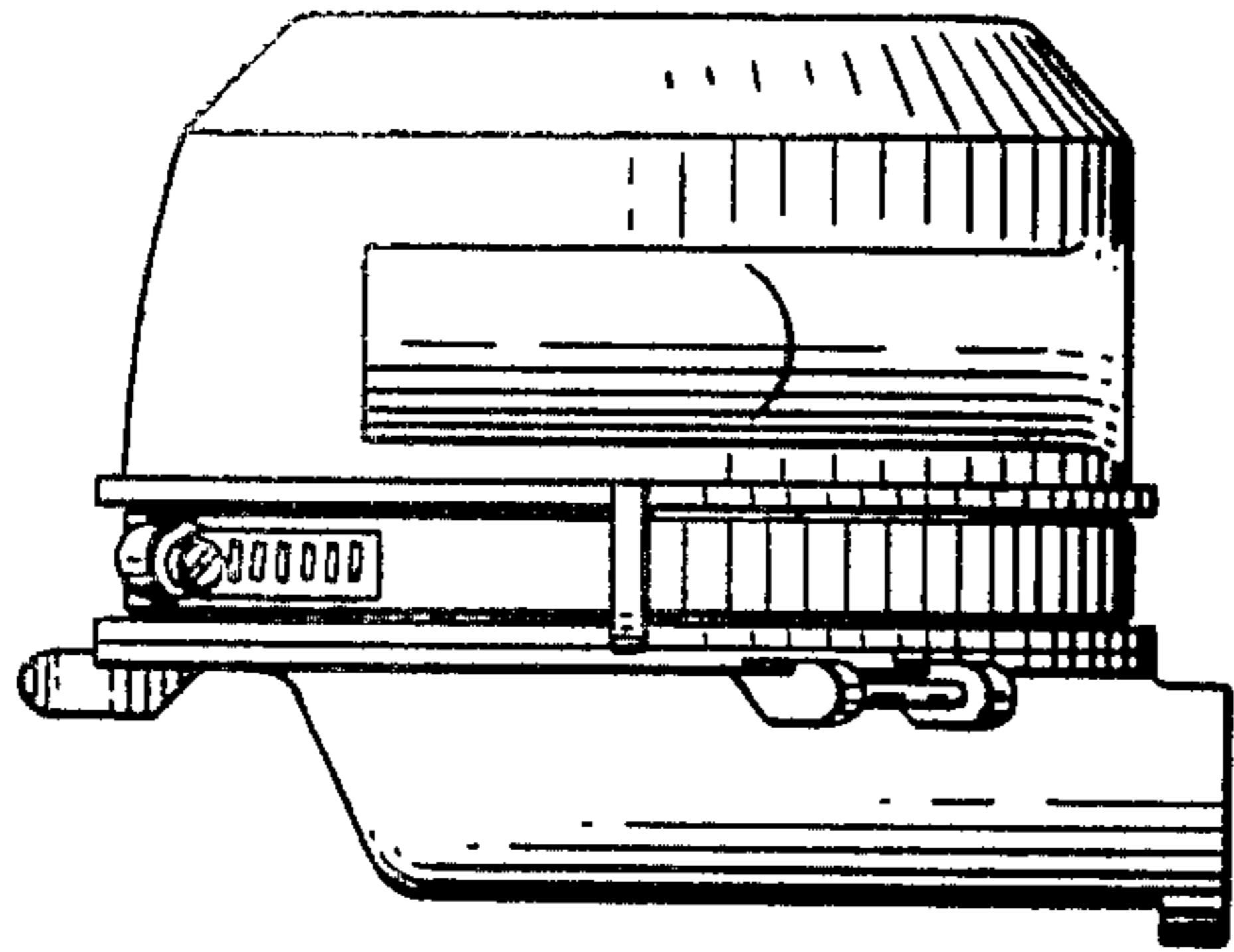


Fig. 3.

Fig. 2.

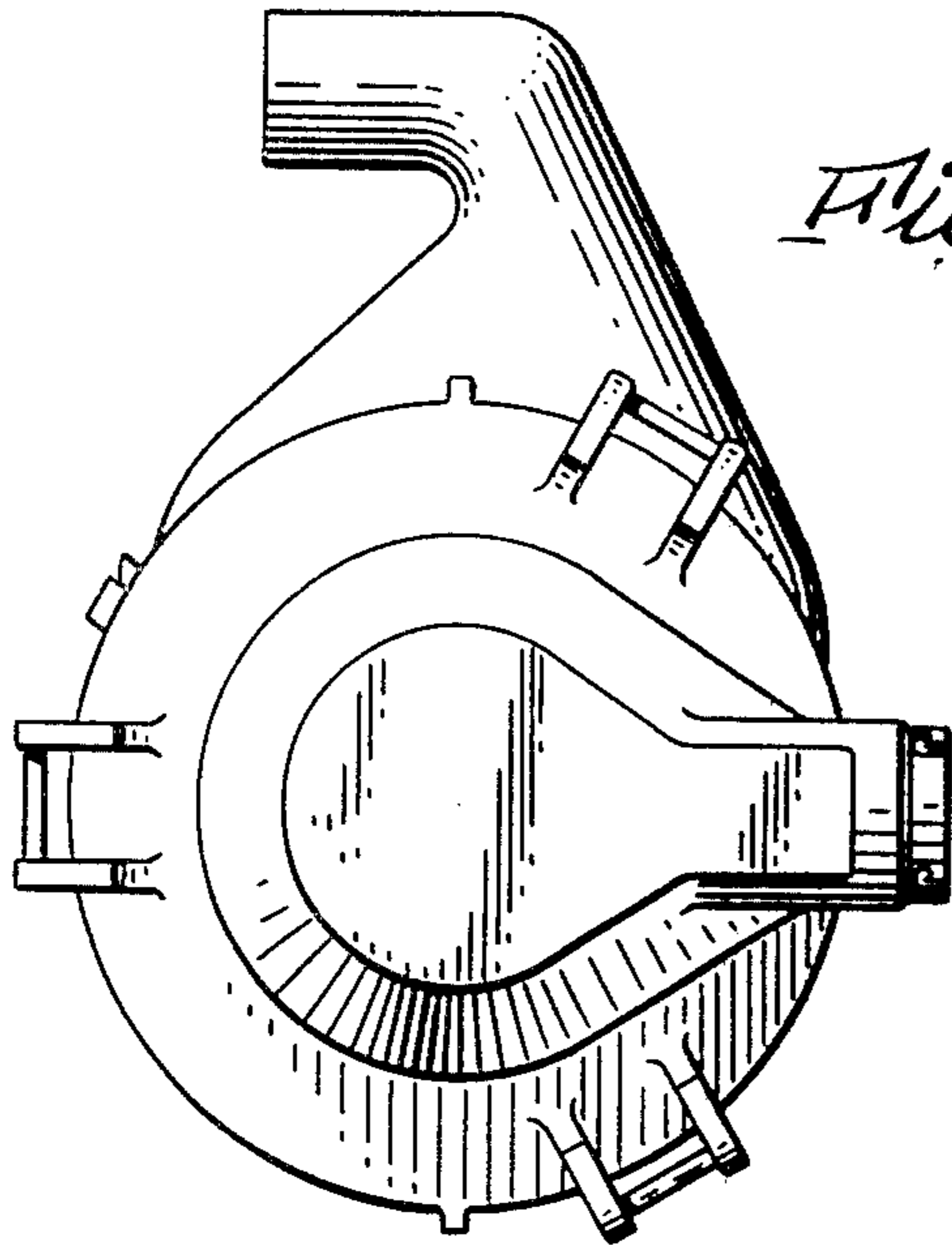


Fig. 1.

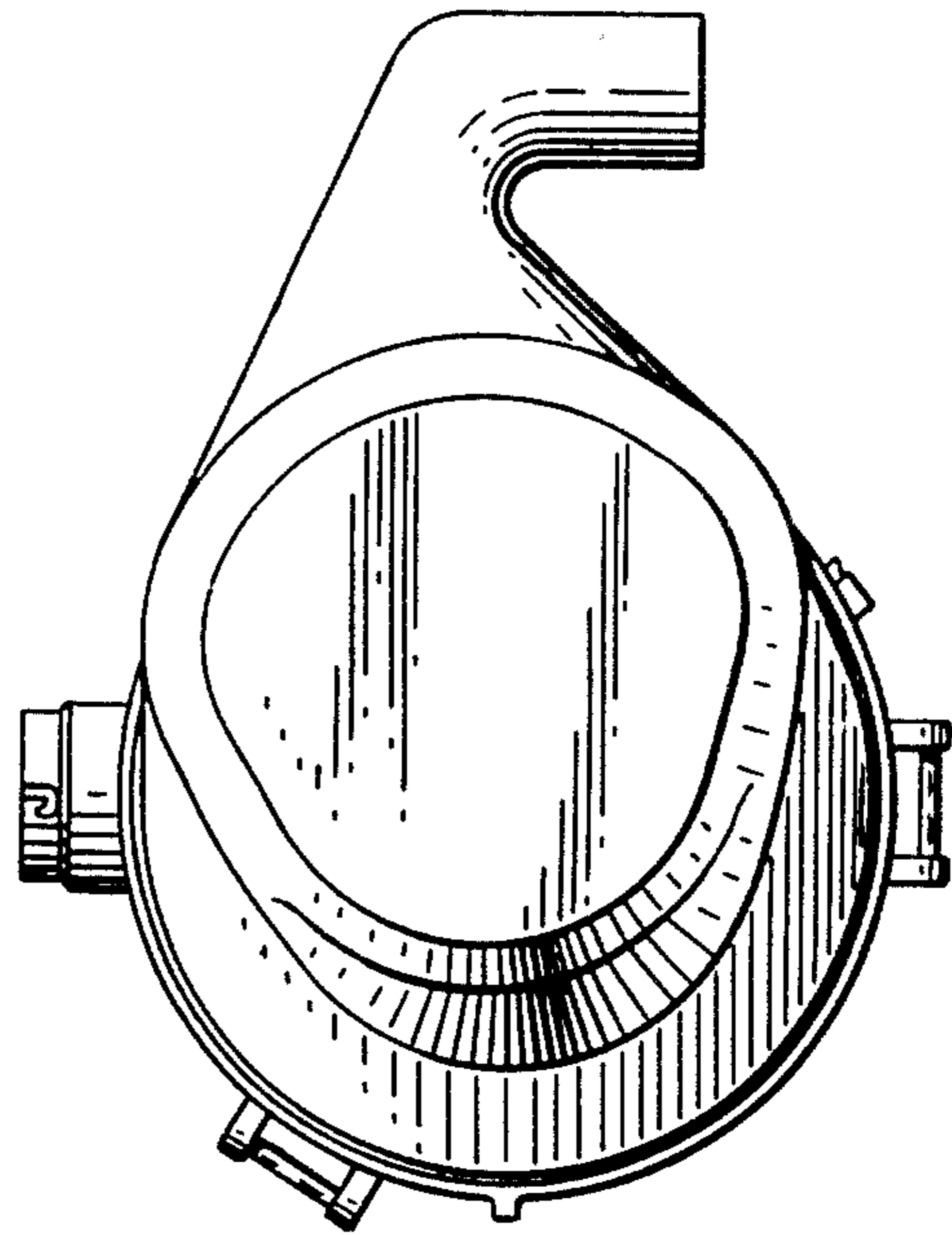


Fig. 5.

Fig. 6.

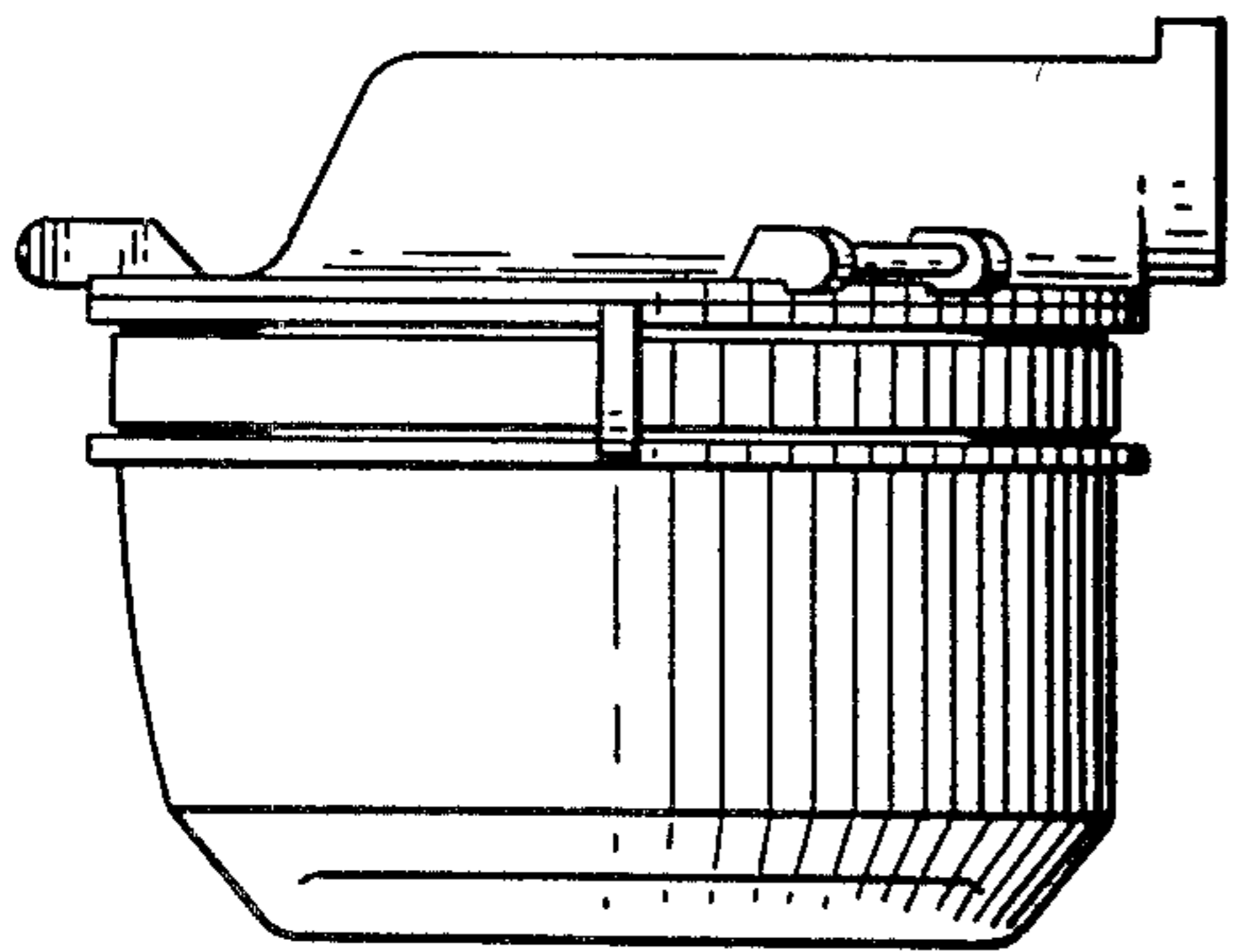


Fig. 4.

