

[54] FISHING REEL SPOOL

[75] Inventor: Tatsuo Sugimoto, Tokyo, Japan

[73] Assignee: Daiwa Seiko, Inc., Tokyo, Japan

[**] Term: 14 Years

[21] Appl. No.: 402,735

[22] Filed: Jul. 28, 1982

[30] Foreign Application Priority Data

Feb. 3, 1982 [JP] Japan 57-4235

[52] U.S. Cl. D22/25; D8/358

[58] Field of Search 242/84.1 R, 84.2 R, 242/84.2 A; D22/25, 28; D8/358, 359

[56] References Cited

U.S. PATENT DOCUMENTS

3,979,082 9/1976 Morishita 242/84.2 R

Primary Examiner—A. Hugo Word
Attorney, Agent, or Firm—Flam&Flam

[57] CLAIM

The ornamental design for a fishing reel spool, substantially as shown and described.

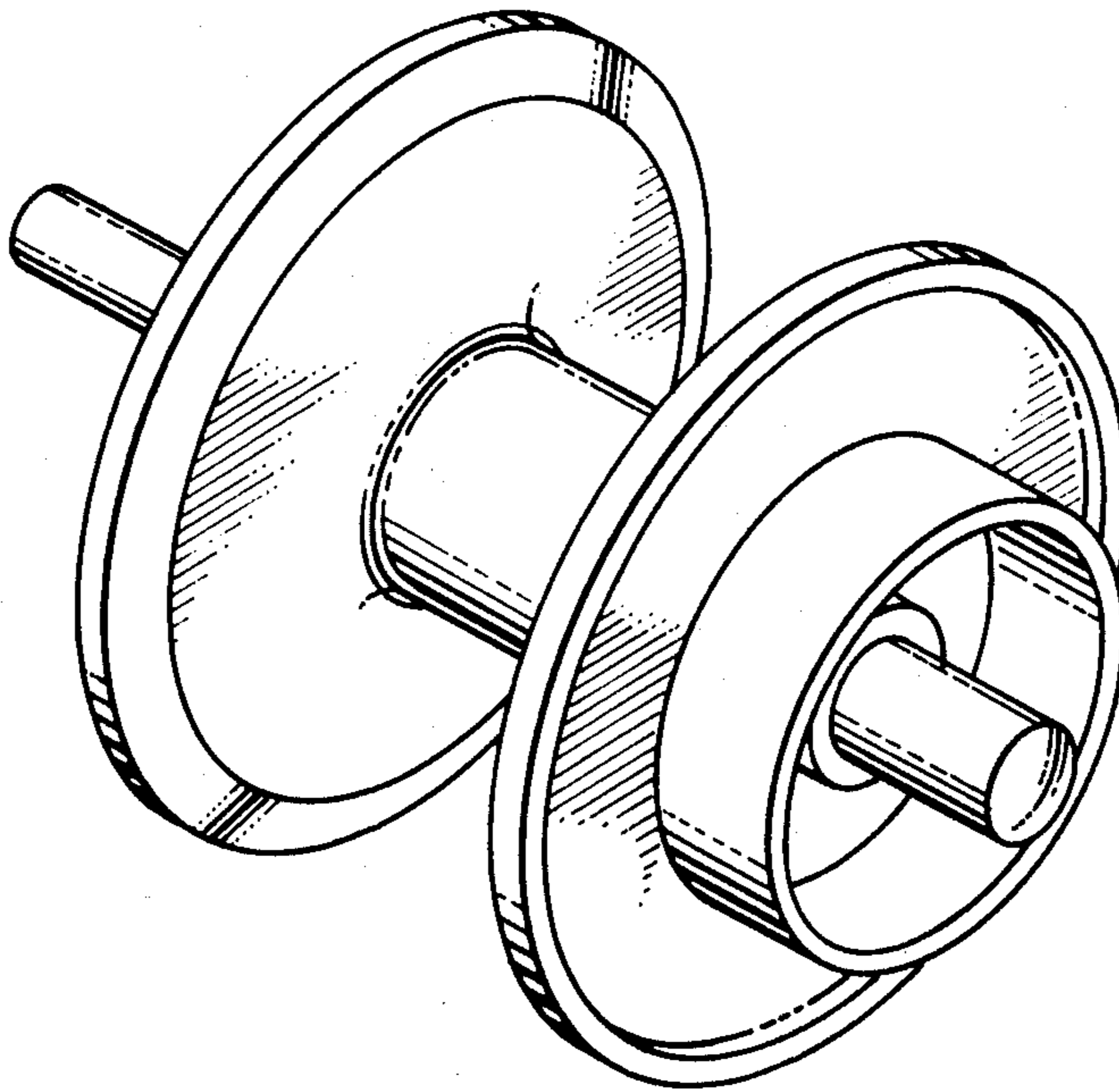
DESCRIPTION

FIG. 1 is a perspective view of a fishing reel spool incorporating my new design.

FIGS. 2 and 3 are end views of the spool.

FIG. 4 is a top plan view of the spool.

The characteristic feature of my spool design is the cylindrical rotor projecting from one end of the spool.



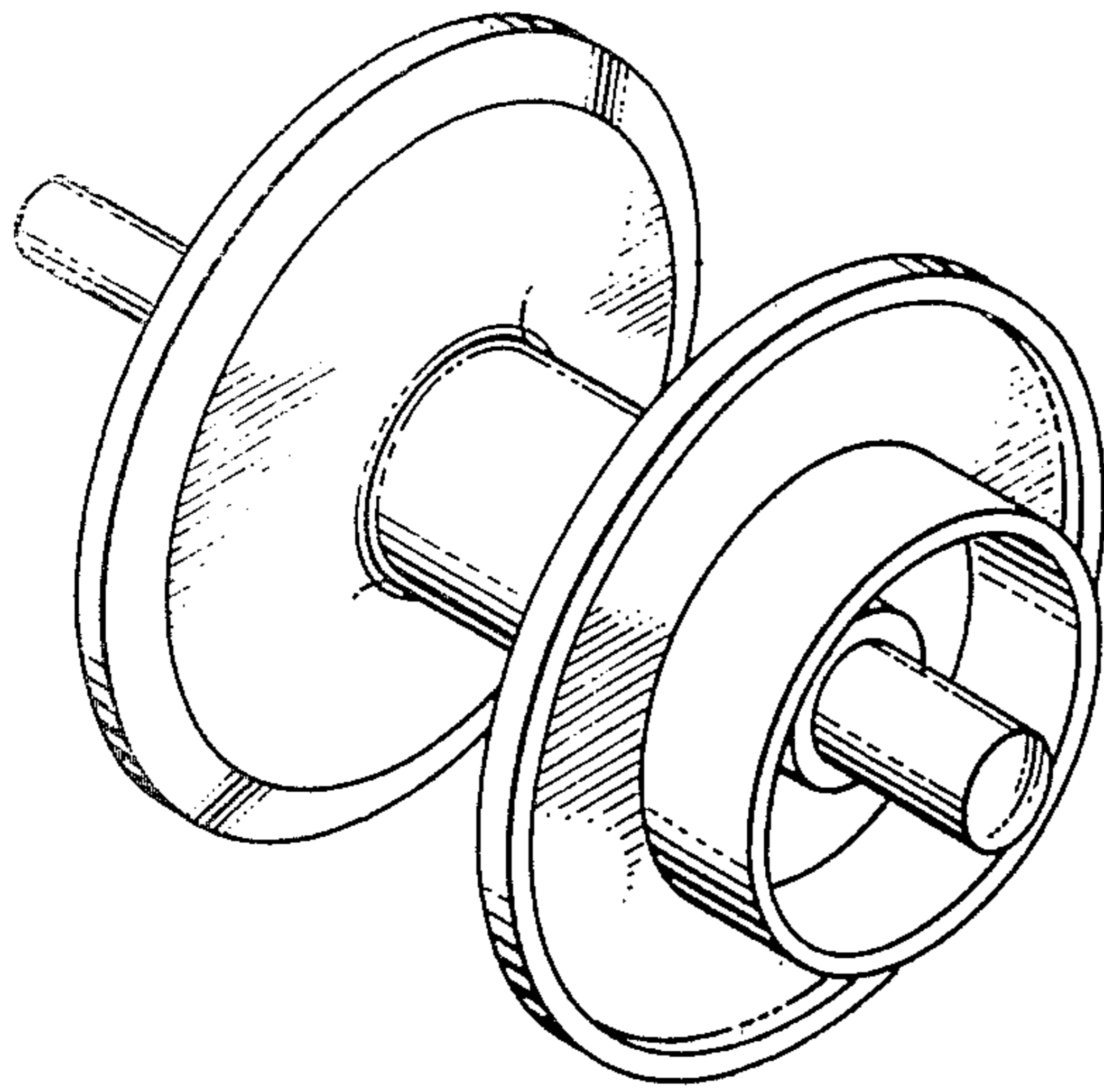


FIG. 1.

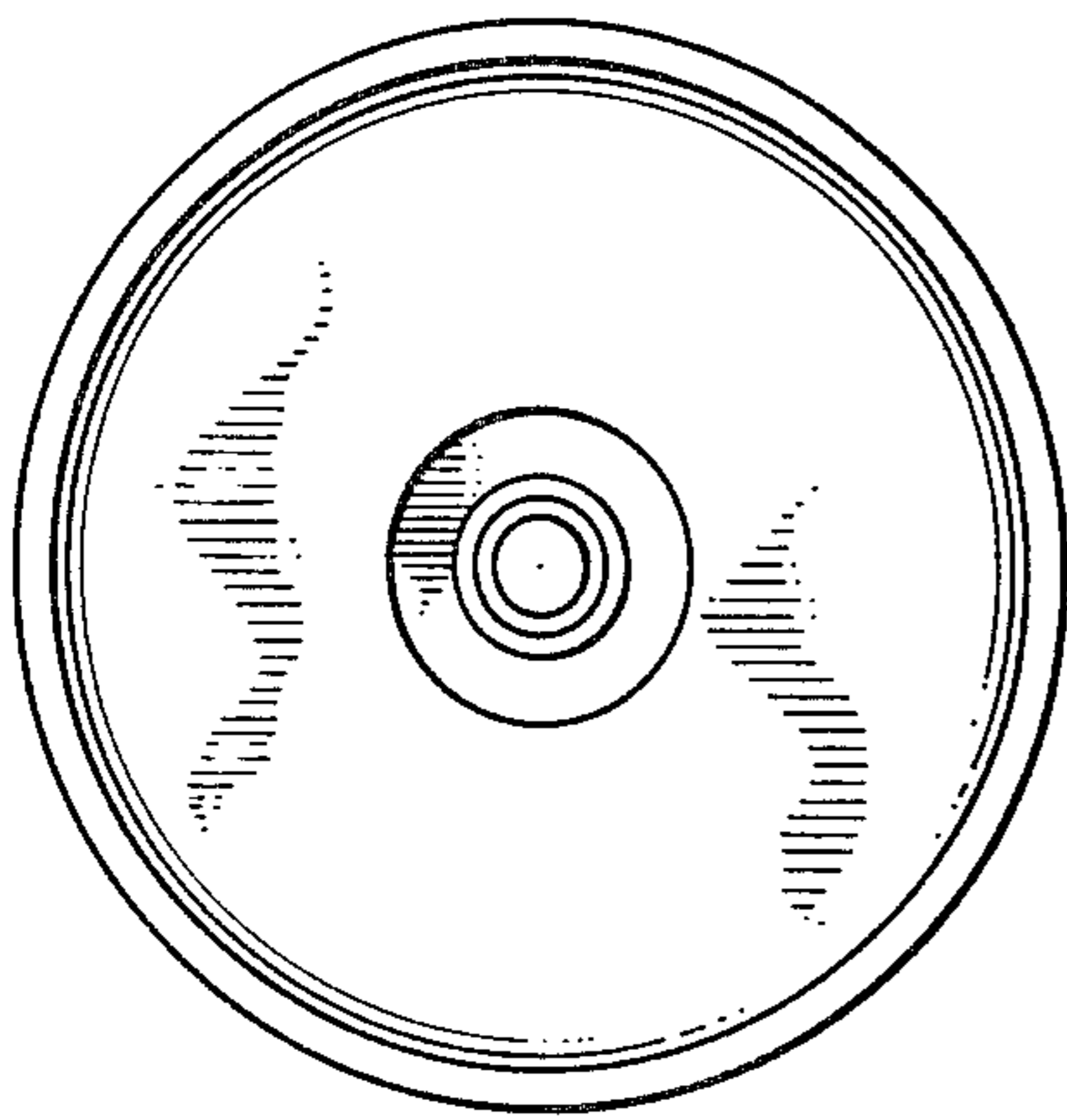


FIG. 2.

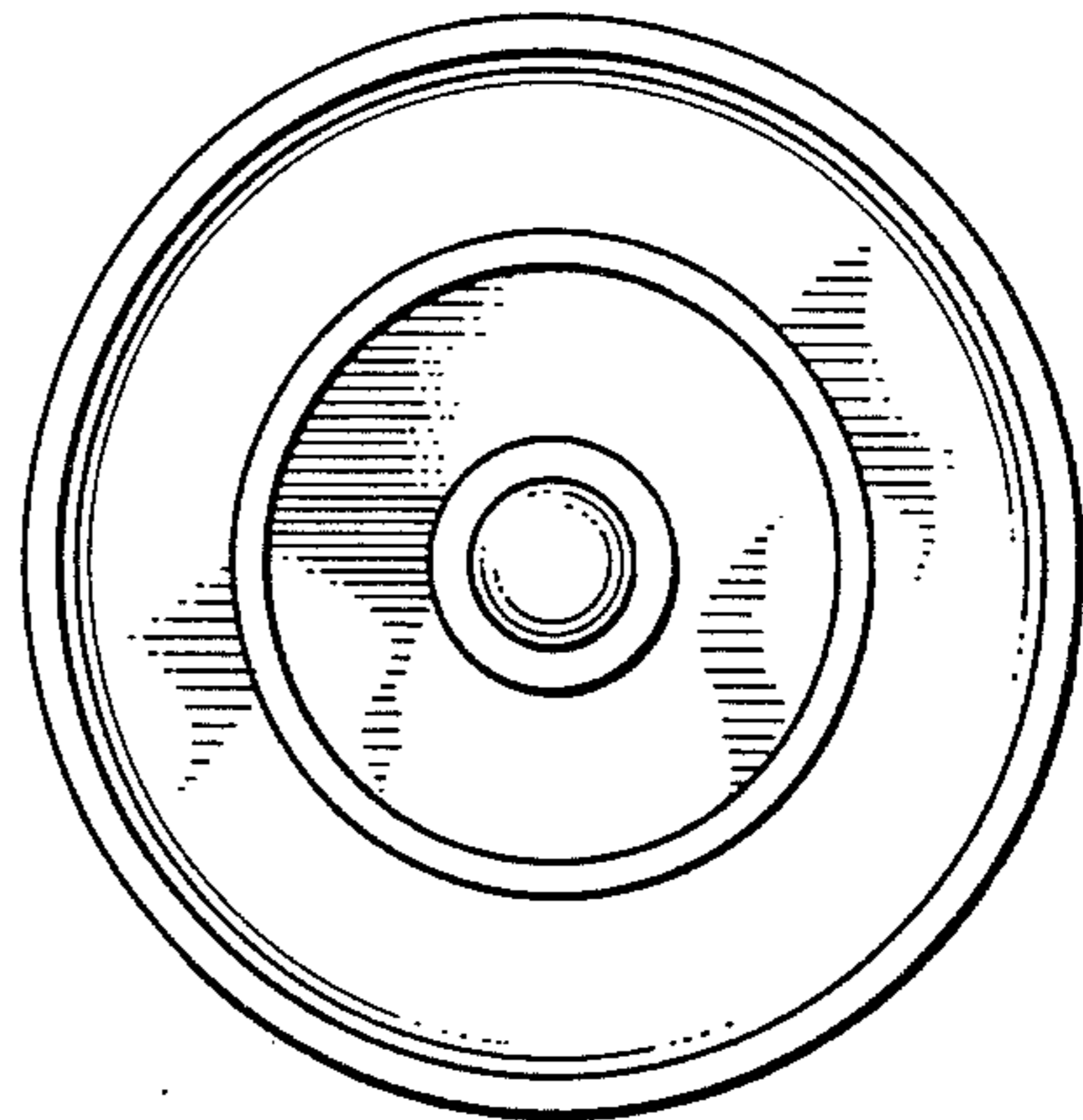


FIG. 3.

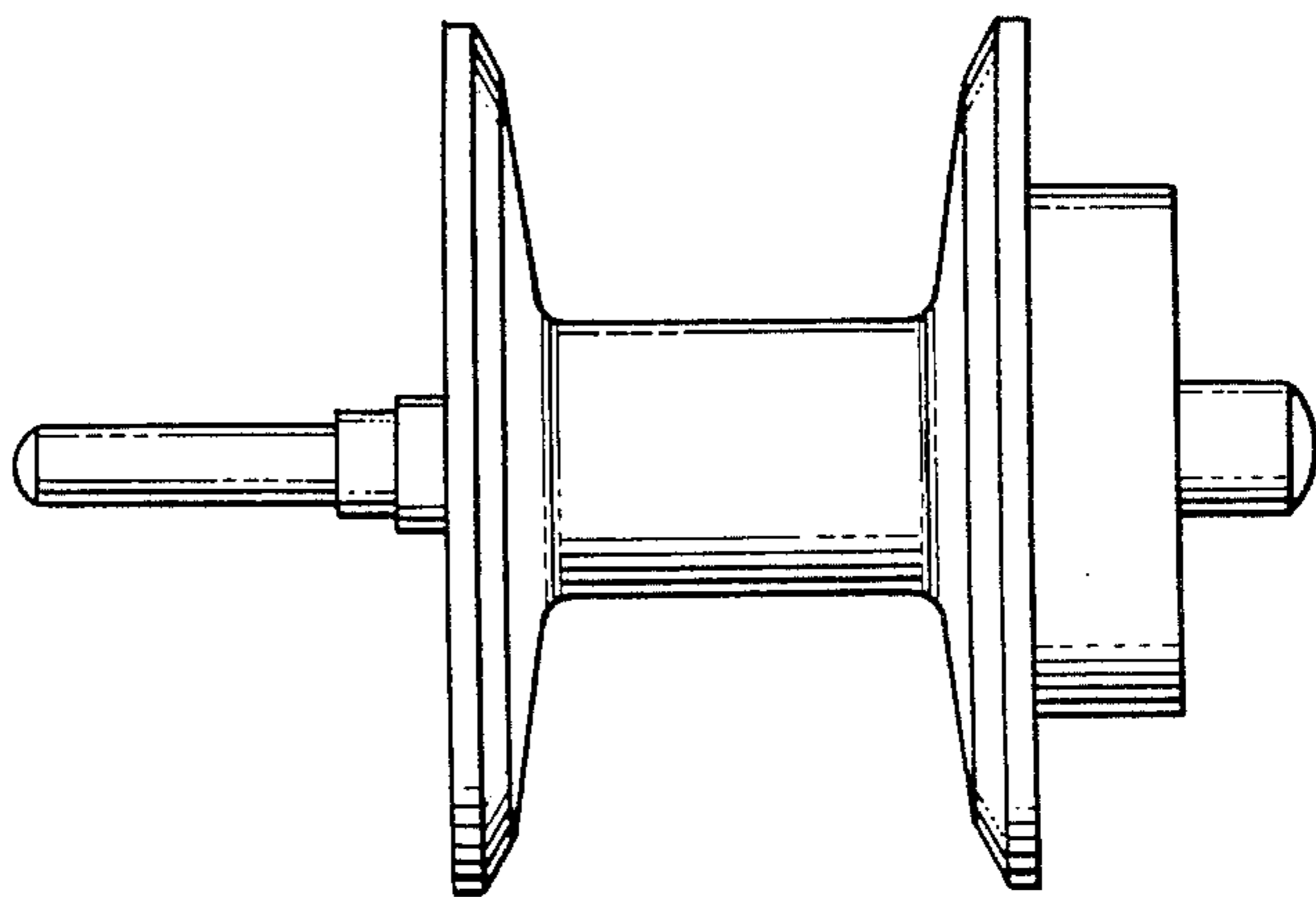


FIG. 4.