

[54] STUNT KITE

[76] Inventor: Frederick Belloff, 280 Surf View Ct., Del Mar, Calif. 92014

[\*\*] Term: 14 Years

[21] Appl. No.: 290,188

[22] Filed: Aug. 5, 1981

[52] U.S. Cl. .... D21/88

[58] Field of Search ..... D21/82, 88, 89, 90; 244/153 R, 154, 155

[56] References Cited

U.S. PATENT DOCUMENTS

D. 224,248	7/1972	Bennett	.....	D21/88
2,737,360	3/1956	Allison	.....	244/153 R
3,194,520	7/1965	Kurkjian	.....	244/153 R
4,286,762	9/1981	Prouty	.....	244/153 R

Primary Examiner—Charles A. Rademaker

Attorney, Agent, or Firm—John L. Haller

[57] CLAIM

The ornamental design for a stunt kite, as shown and described.

DESCRIPTION

FIG. 1 is a top perspective view of a stunt kite showing my new design.

FIG. 2 is a bottom perspective view thereof.

FIG. 3 is a rear elevational view thereof.

FIG. 4 is a top plan view thereof.

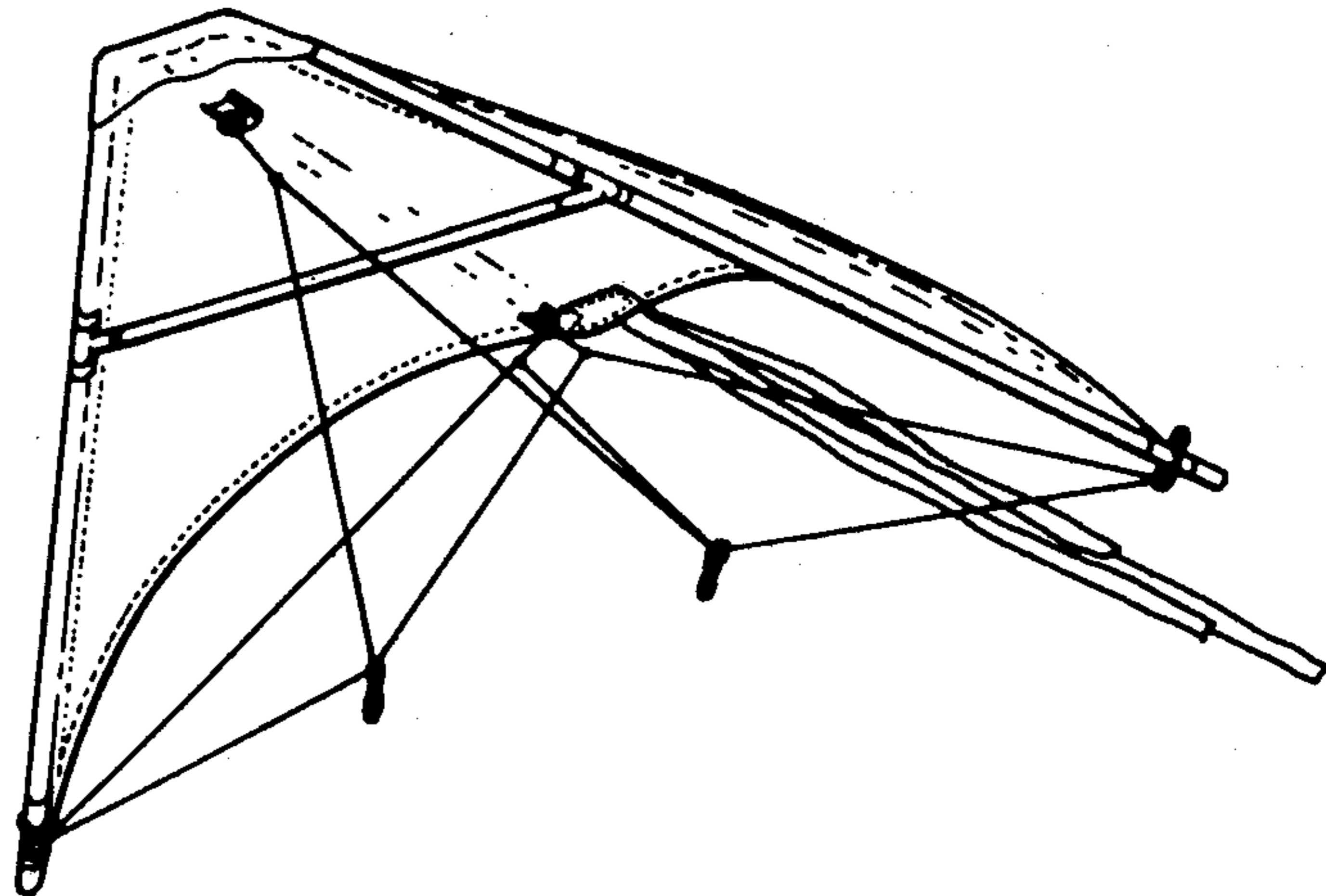
FIG. 5 is a bottom plan view thereof.

FIG. 6 is a front elevational view thereof.

FIG. 7 is a right side elevational view thereof, the side opposite being a mirror image.

FIG. 8 is a modified embodiment of the design shown in FIGS. 1 through 7.

FIG. 9 is a second modified embodiment of the design shown in FIGS. 1 through 7.



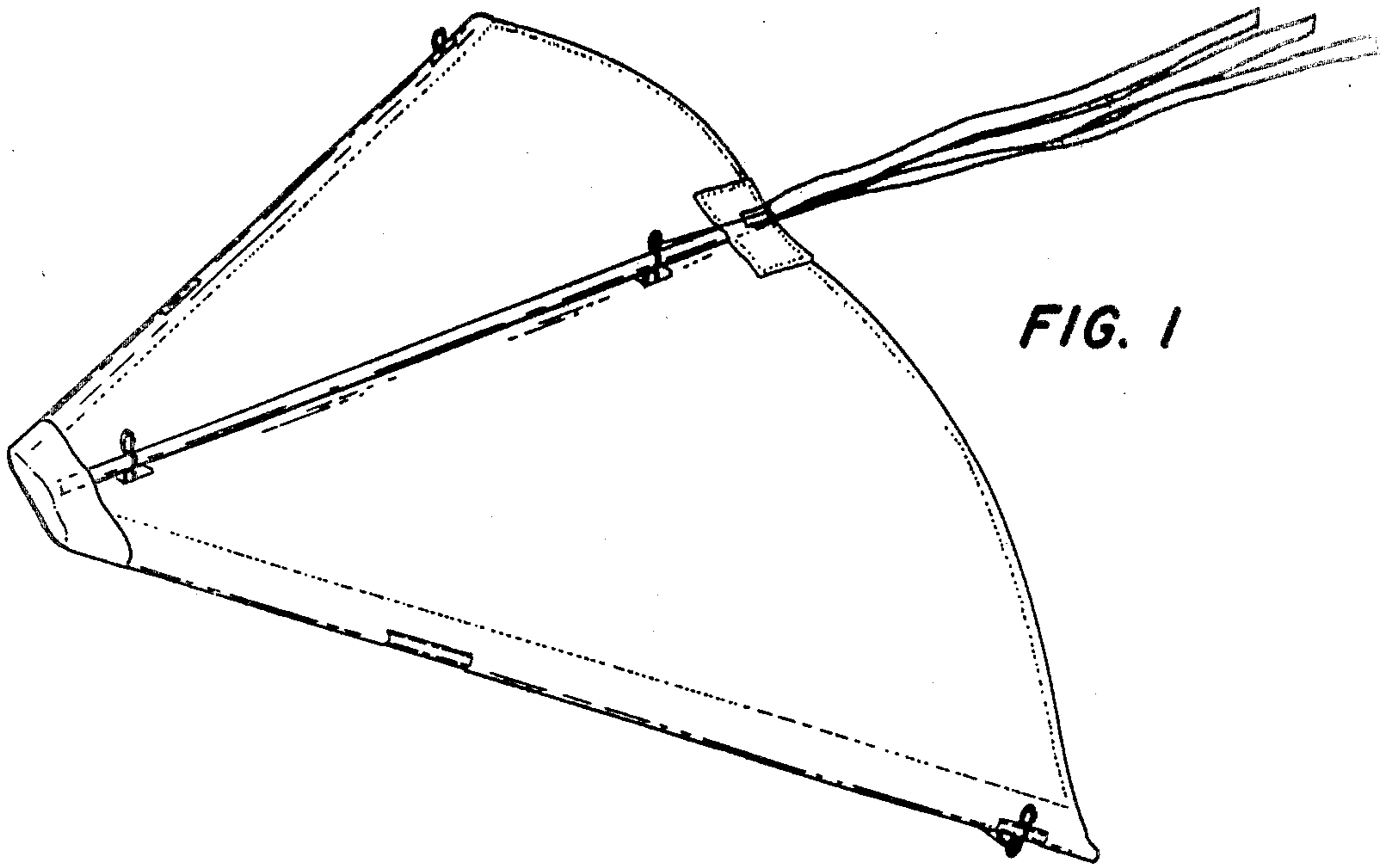


FIG. 1

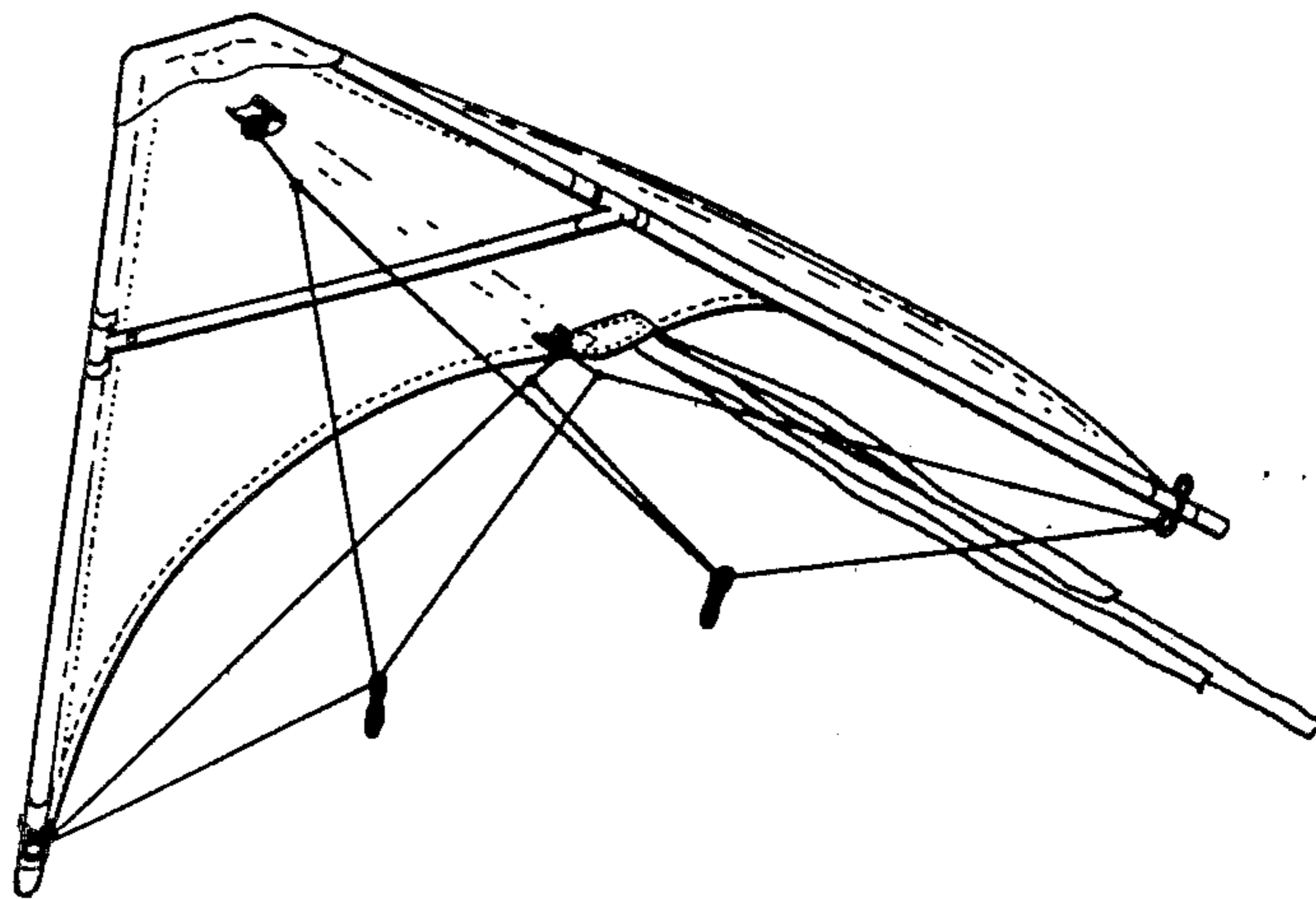
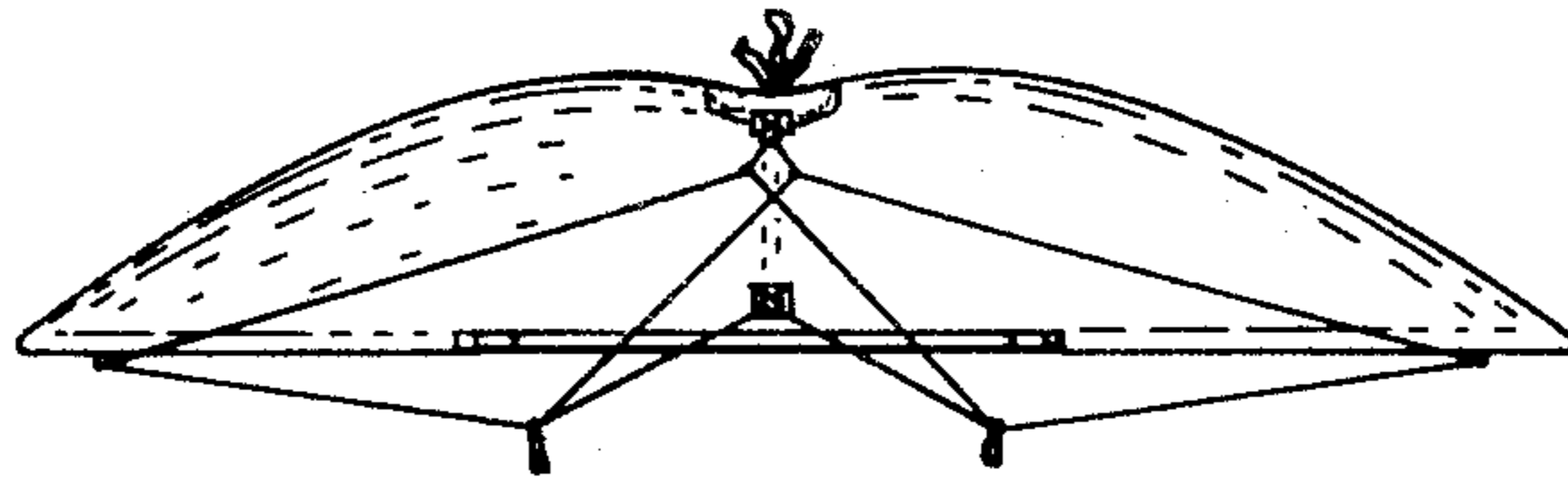
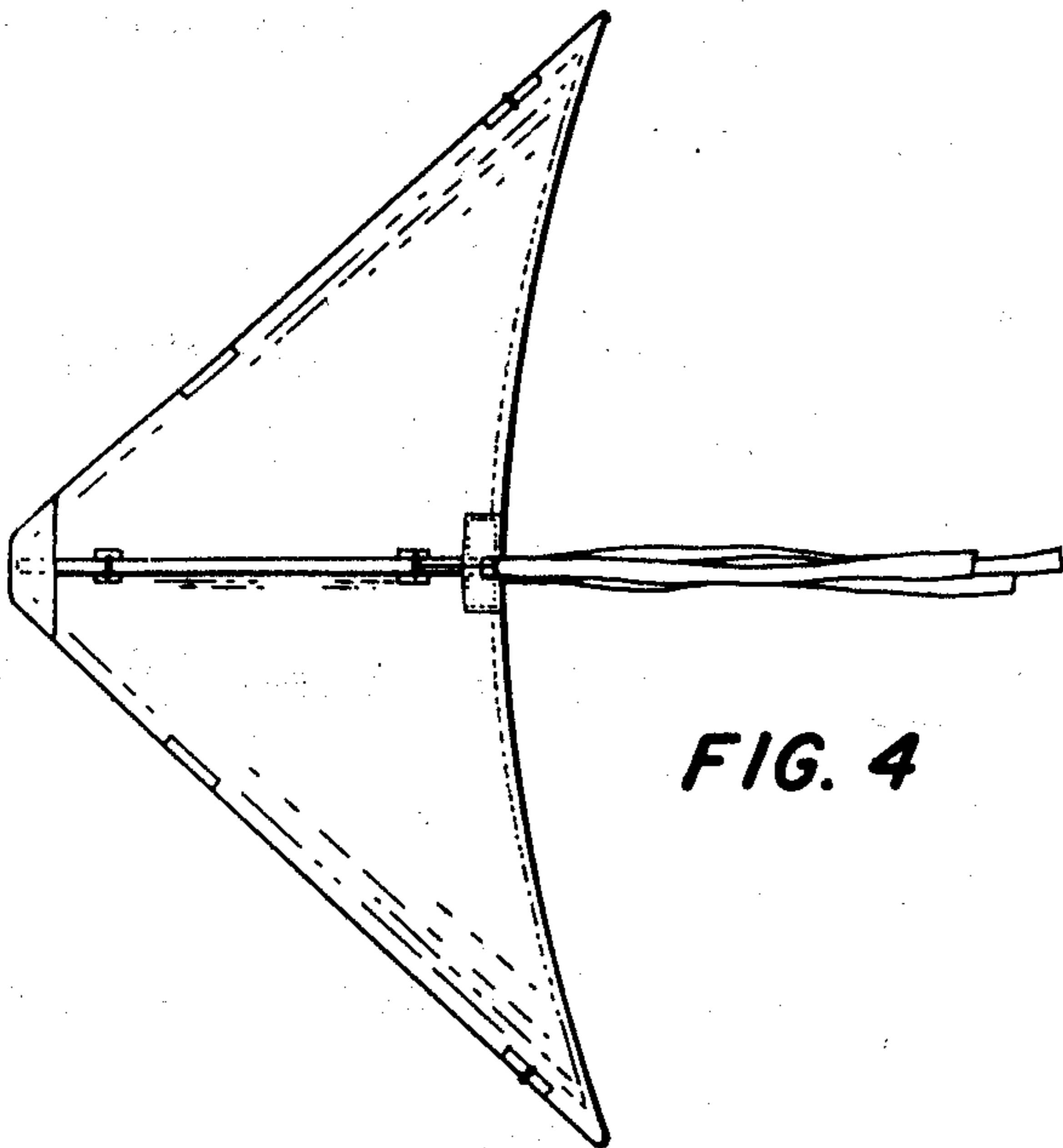


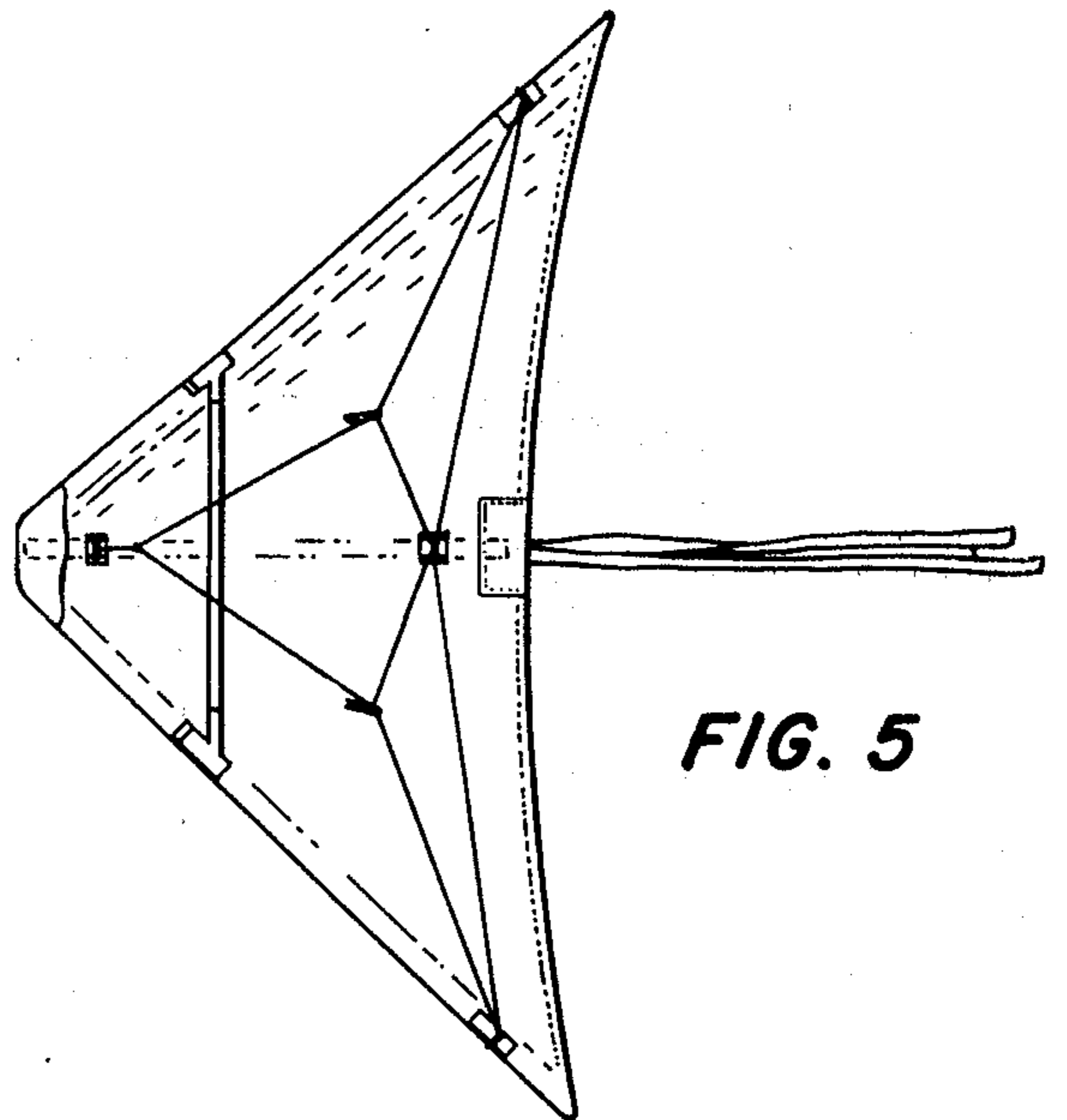
FIG. 2



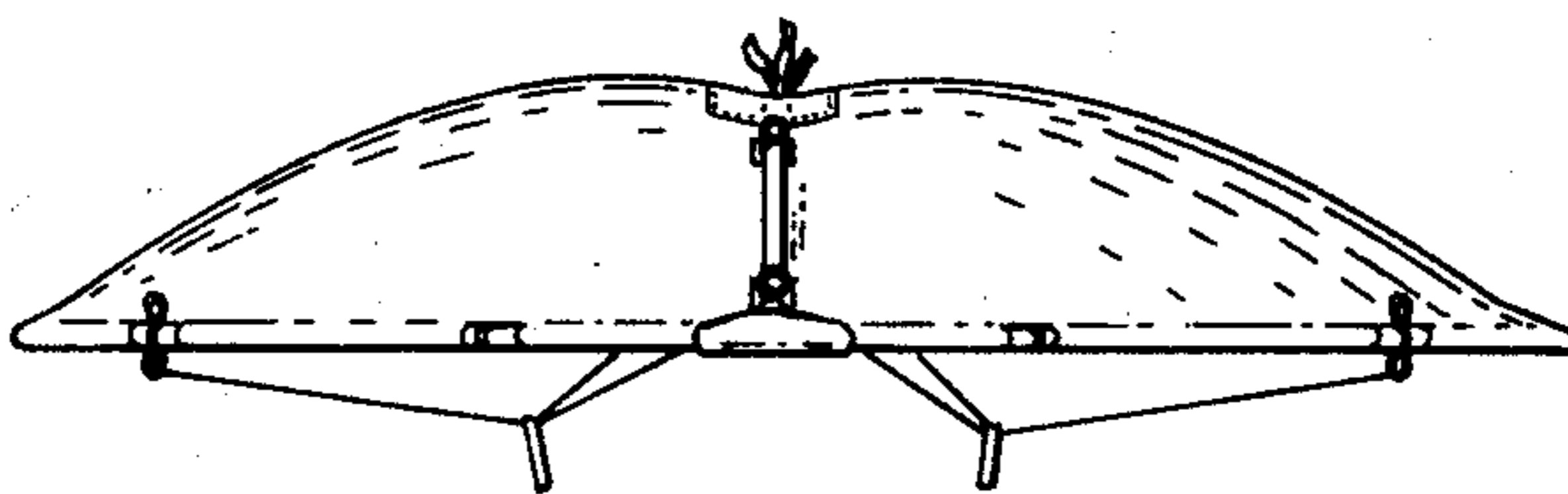
**FIG. 3**



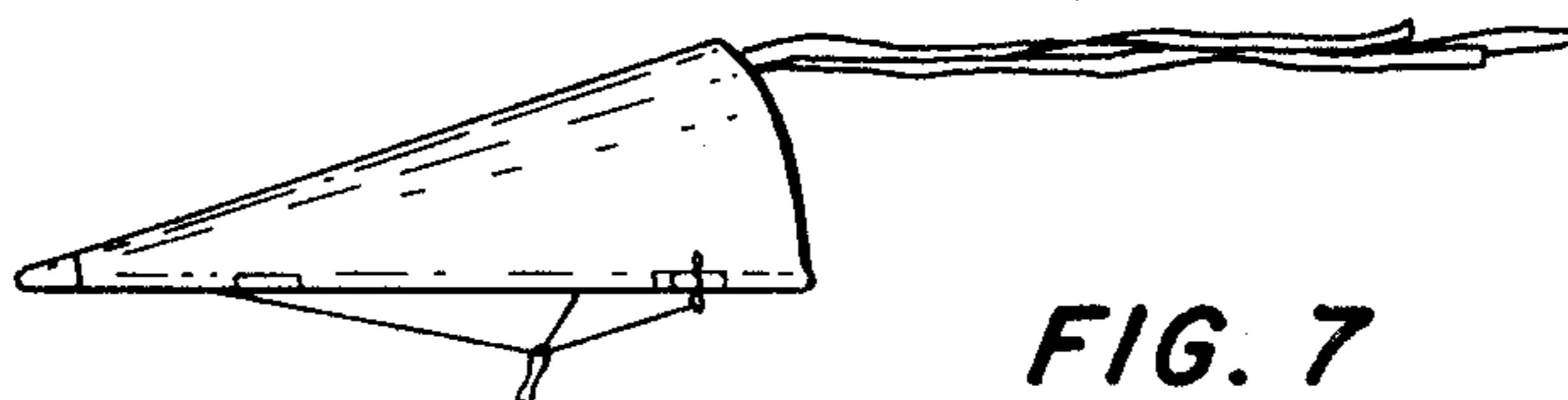
**FIG. 4**



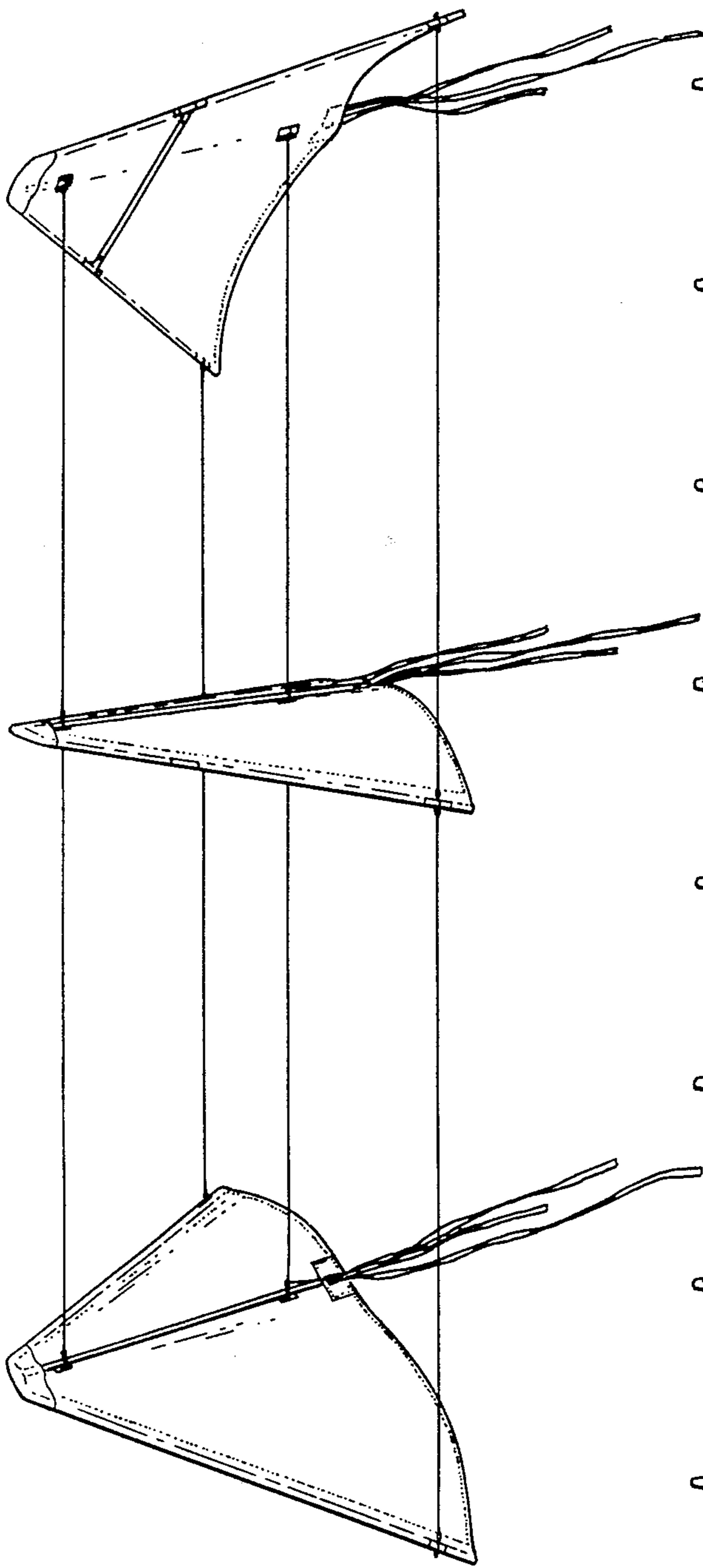
**FIG. 5**



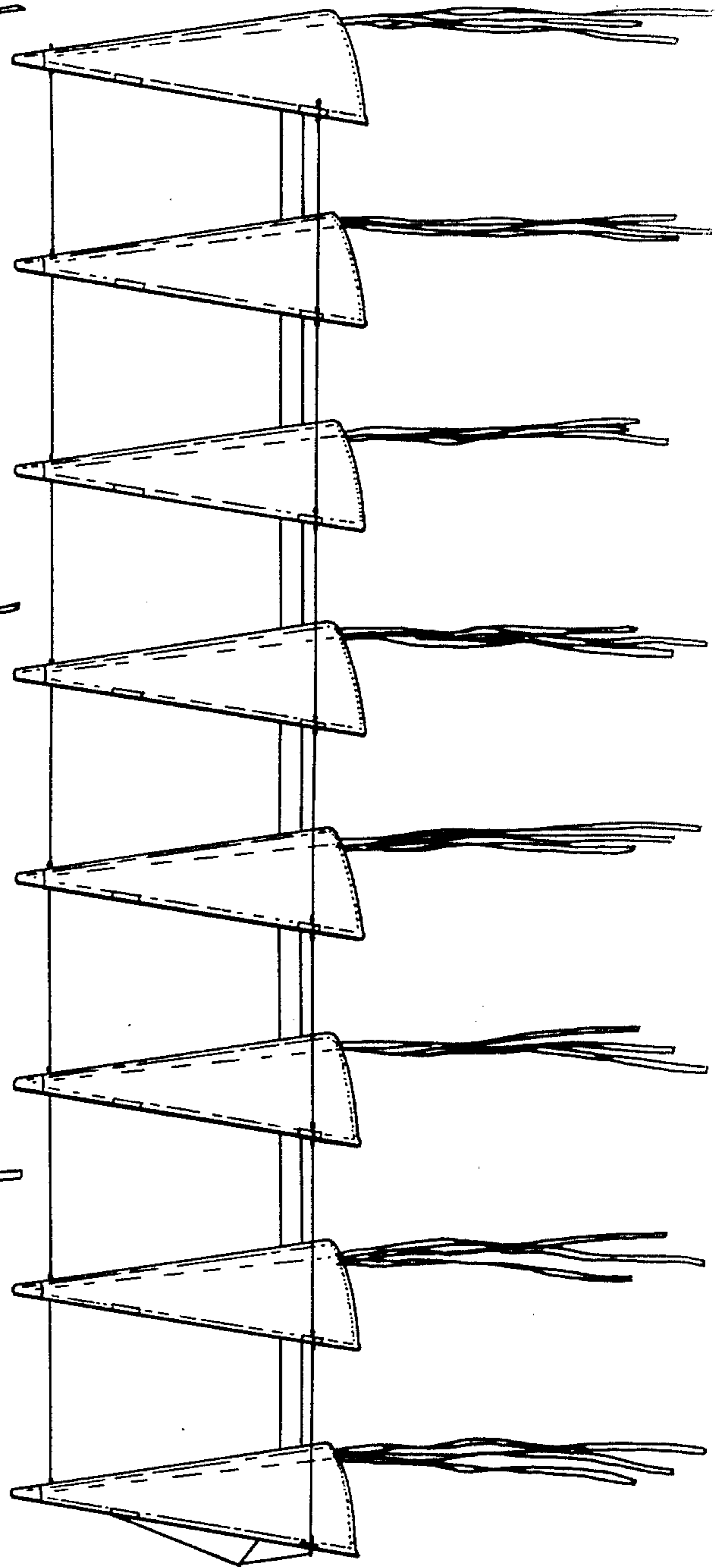
**FIG. 6**



**FIG. 7**



**FIG. 8**



**FIG. 9**