

[54] ADHESIVE TAPE DISPENSER

[75] Inventor: Adelio Lissoni, Vedano Olona, Italy

[73] Assignee: Siat S.p.A. Societa Internazionale Applicazioni Tecniche, Turate, Italy

[\*\*] Term: 14 Years

[21] Appl. No.: 285,743

[22] Filed: Jul. 22, 1981

[30] Foreign Application Priority Data

Jan. 23, 1981 [IT] Italy ..... 20549/81[U]

[52] U.S. Cl. .... D19/69

[58] Field of Search ..... D19/67-69

[56] References Cited

U.S. PATENT DOCUMENTS

- D. 170,429 9/1953 Reinecke ..... D19/69
- D. 186,920 12/1959 Michael ..... D19/69
- D. 228,579 10/1973 Stahel ..... D19/69
- D. 246,659 12/1977 Vailati ..... D19/69

Primary Examiner—George P. Word  
Attorney, Agent, or Firm—Young & Thompson

[57] CLAIM

The ornamental design for an adhesive tape dispenser, as shown and described.

DESCRIPTION

FIG. 1 is a perspective view of an adhesive tape dispenser showing my new design;  
 FIG. 2 is a front elevational view thereof;  
 FIG. 3 is a top plan view thereof;  
 FIG. 4 is a right side elevational view thereof;  
 FIG. 5 is a rear elevational view thereof; and  
 FIG. 6 is a left side elevational view thereof.

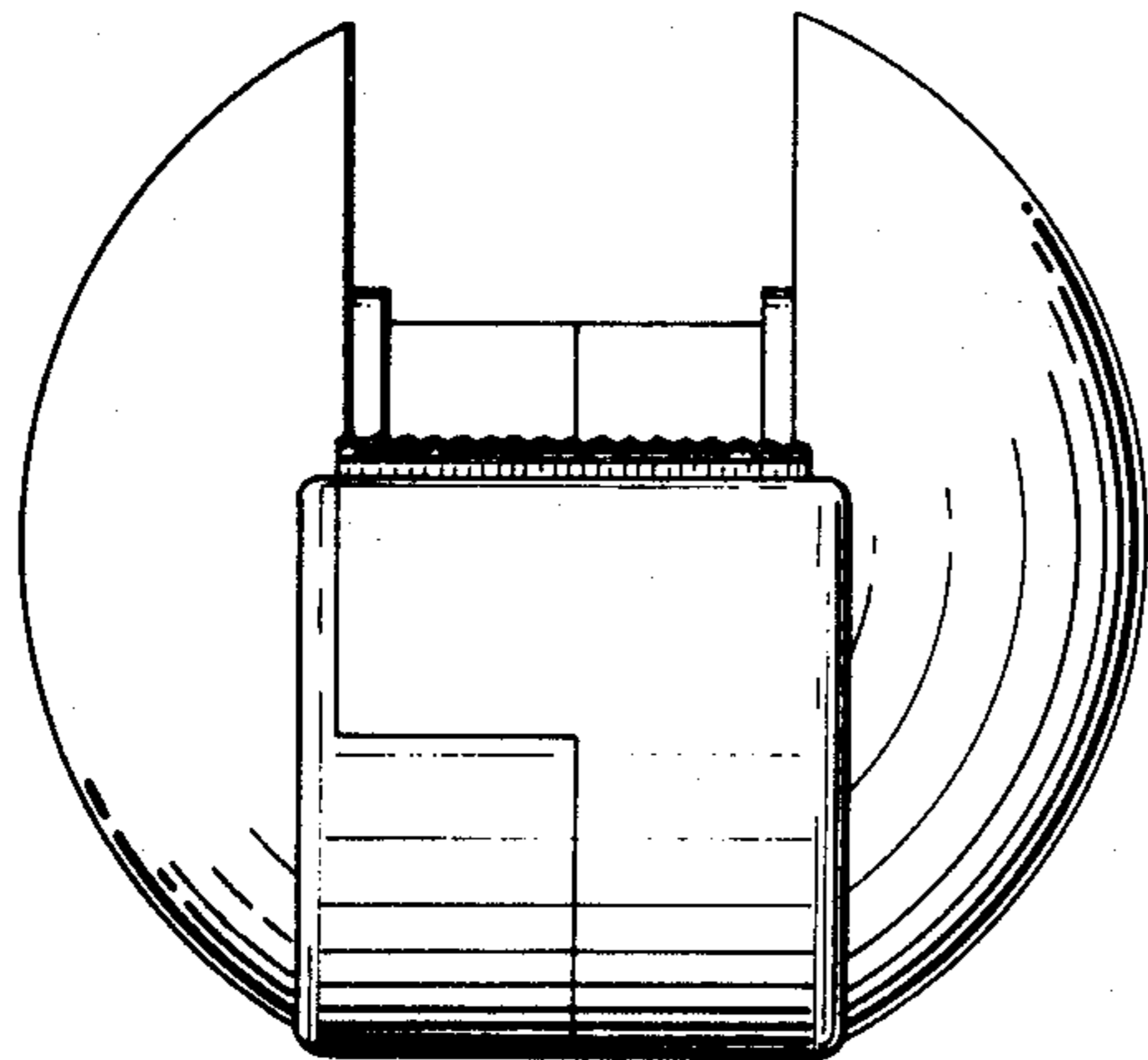
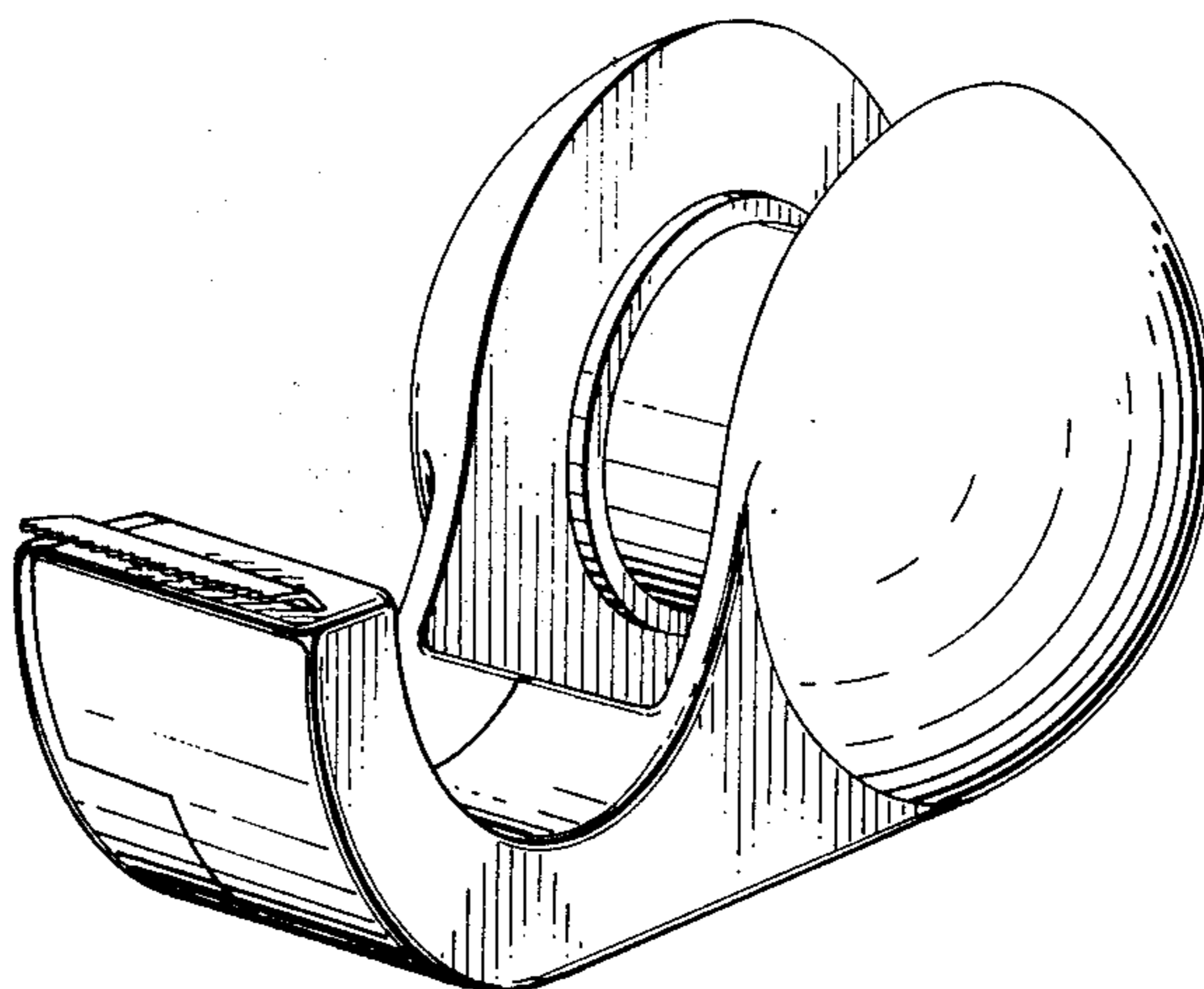


FIG. 1

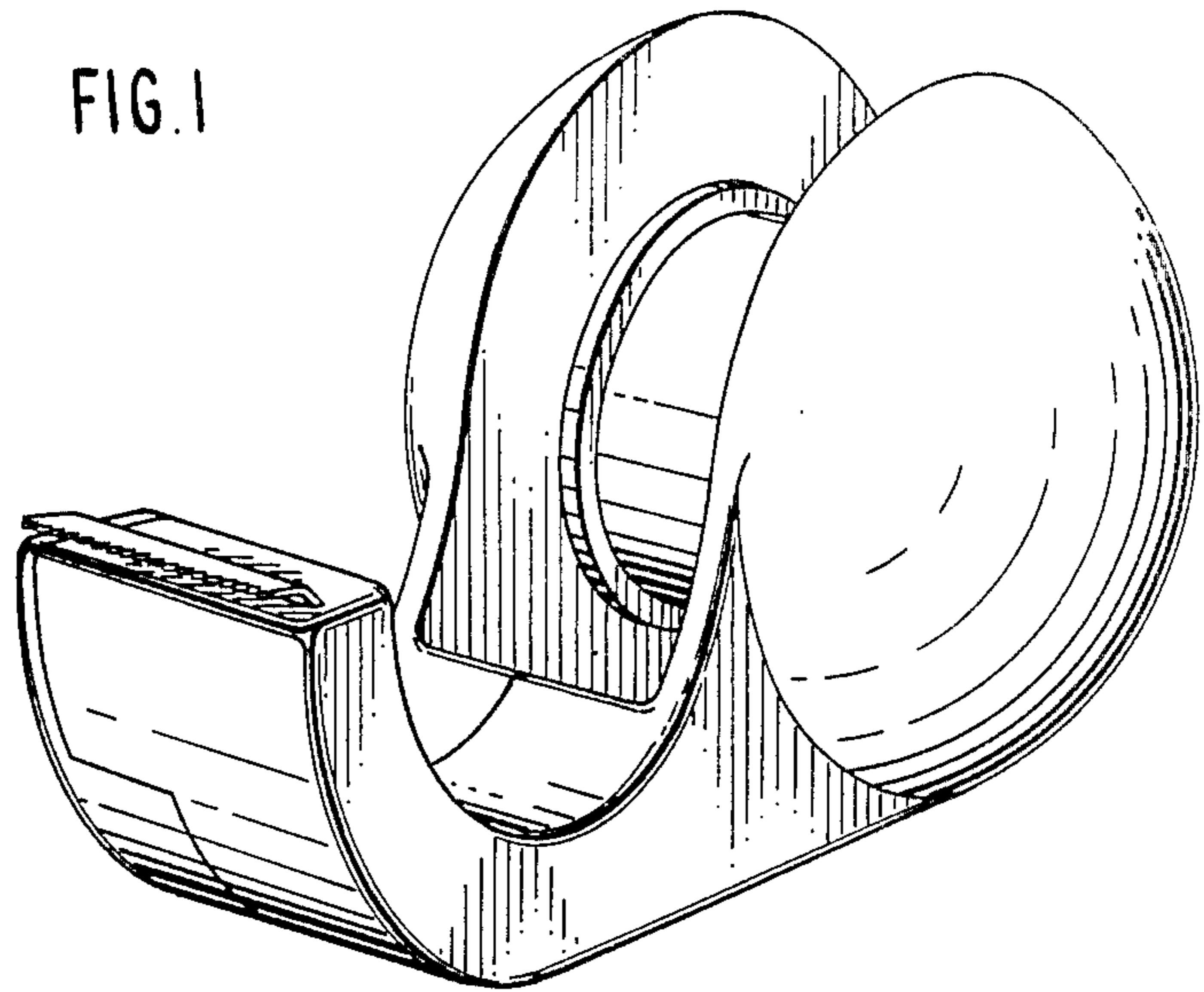


FIG. 2

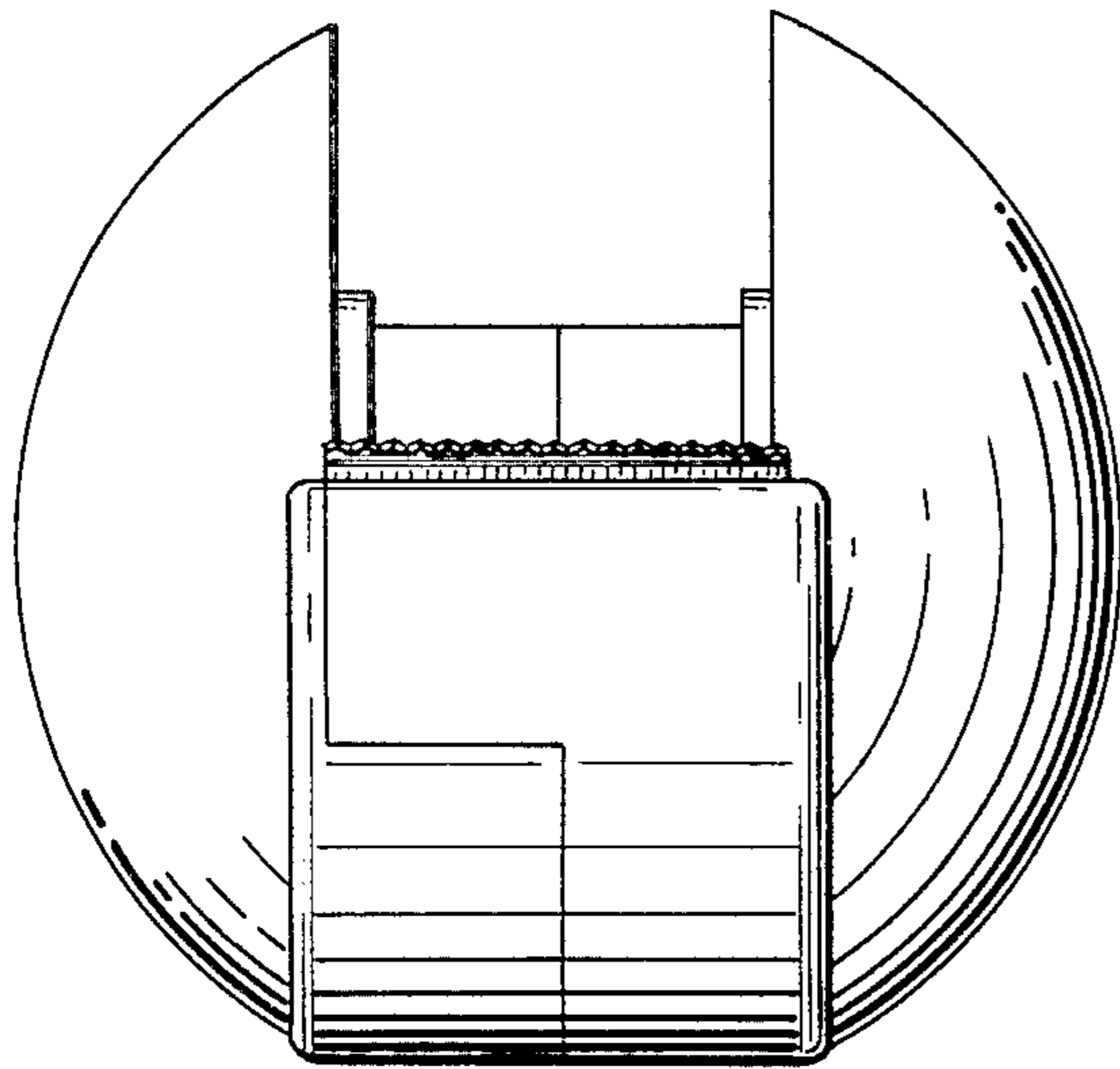


FIG. 3

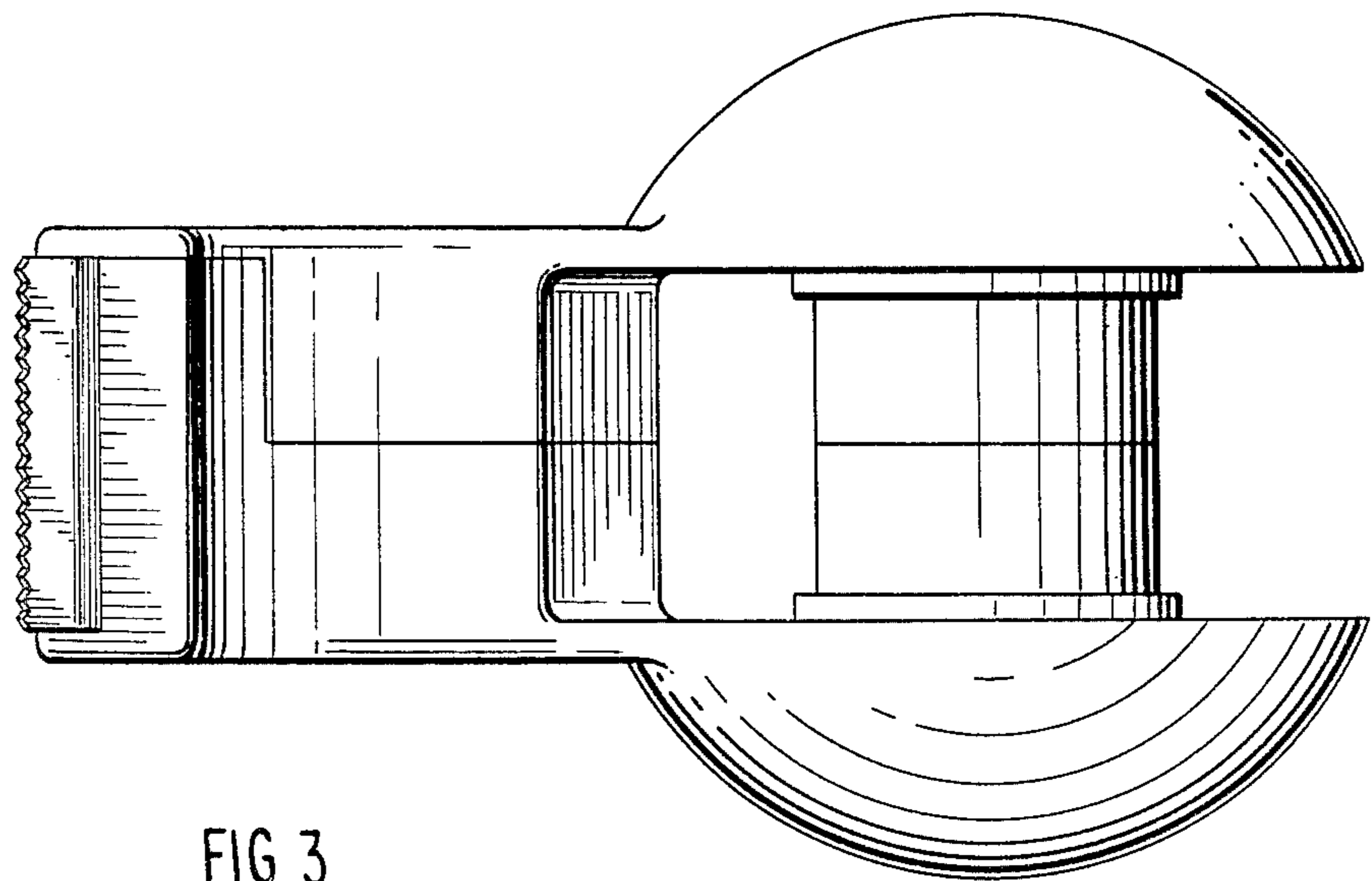


FIG. 4

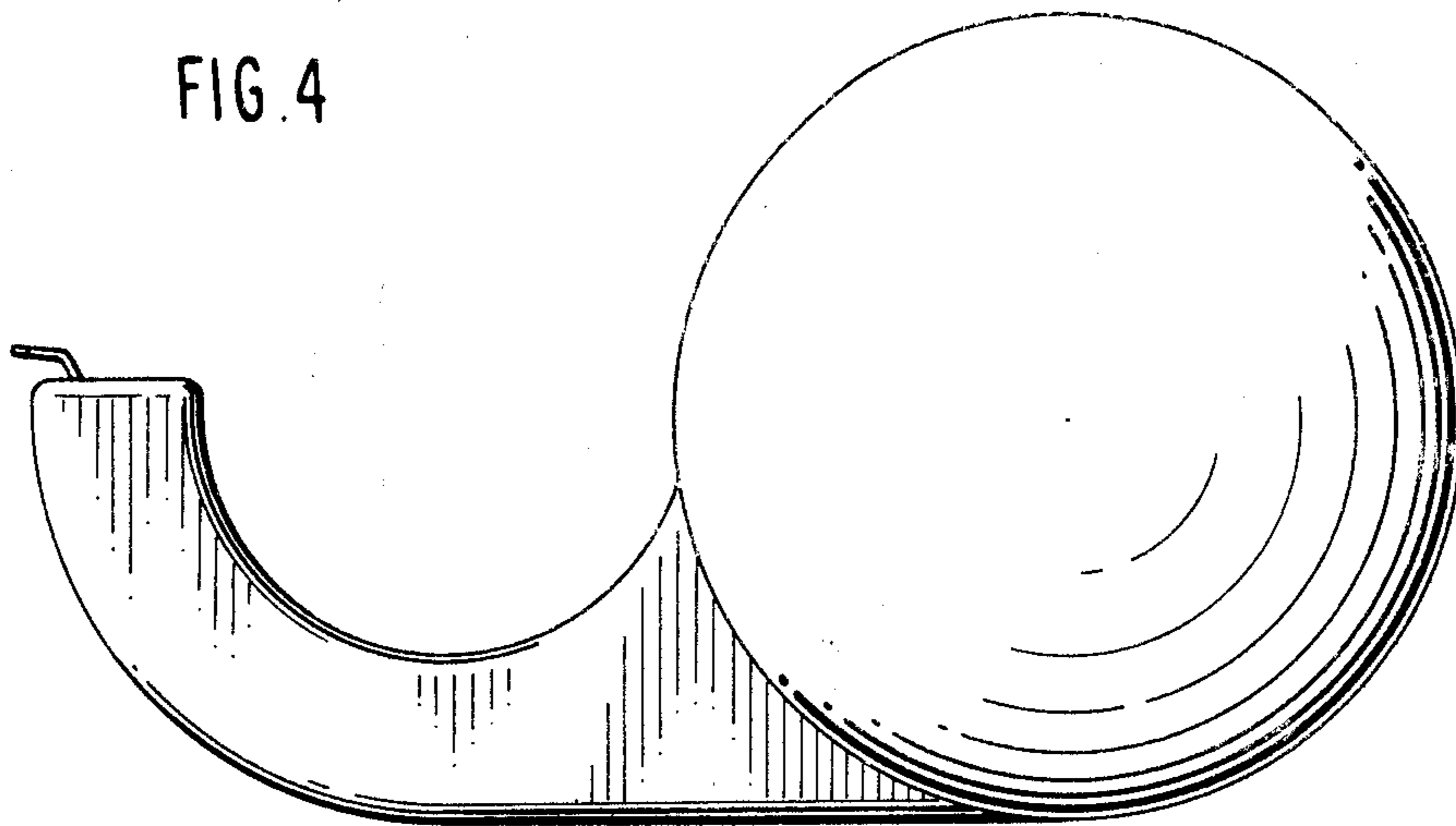


FIG. 5

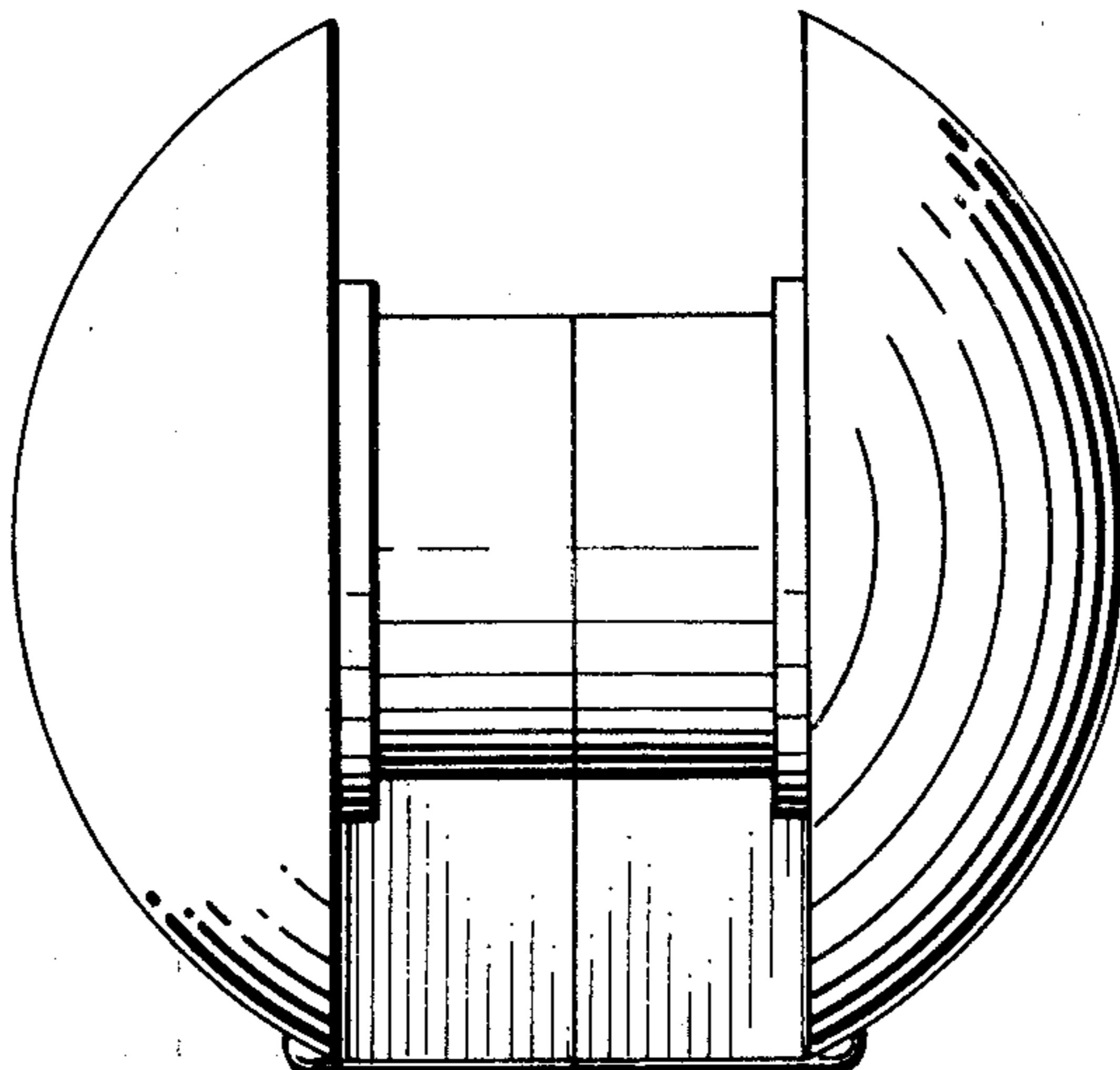


FIG. 6

