

[54] AGRICULTURAL CHEMICAL TRANSPORT TRAILER

[76] Inventor: Andrew C. Yoder, R.R. #1, Amboy, Ind. 46911

[**] Term: 14 Years

[21] Appl. No.: 418,700

[22] Filed: Sep. 16, 1982

[52] U.S. Cl. D15/27

[58] Field of Search D15/10, 27; 280/5 B, 280/5 E; 239/172

[56] References Cited

U.S. PATENT DOCUMENTS

3,698,730	10/1972	Hansen	280/5 E
3,857,576	12/1974	Wilt	239/172
4,244,522	1/1981	Hartwig	239/172

Primary Examiner—Wallace R. Burke

Assistant Examiner—Suzanne N. Gitlin
Attorney, Agent, or Firm—Woodard, Weikart, Emhardt & Naughton

[57] CLAIM

The ornamental design for an agricultural chemical transport trailer, as shown and described.

DESCRIPTION

FIG. 1 is a rear elevational view of an agricultural chemical transport trailer, showing my new design.

FIG. 2 is a top plan view thereof.

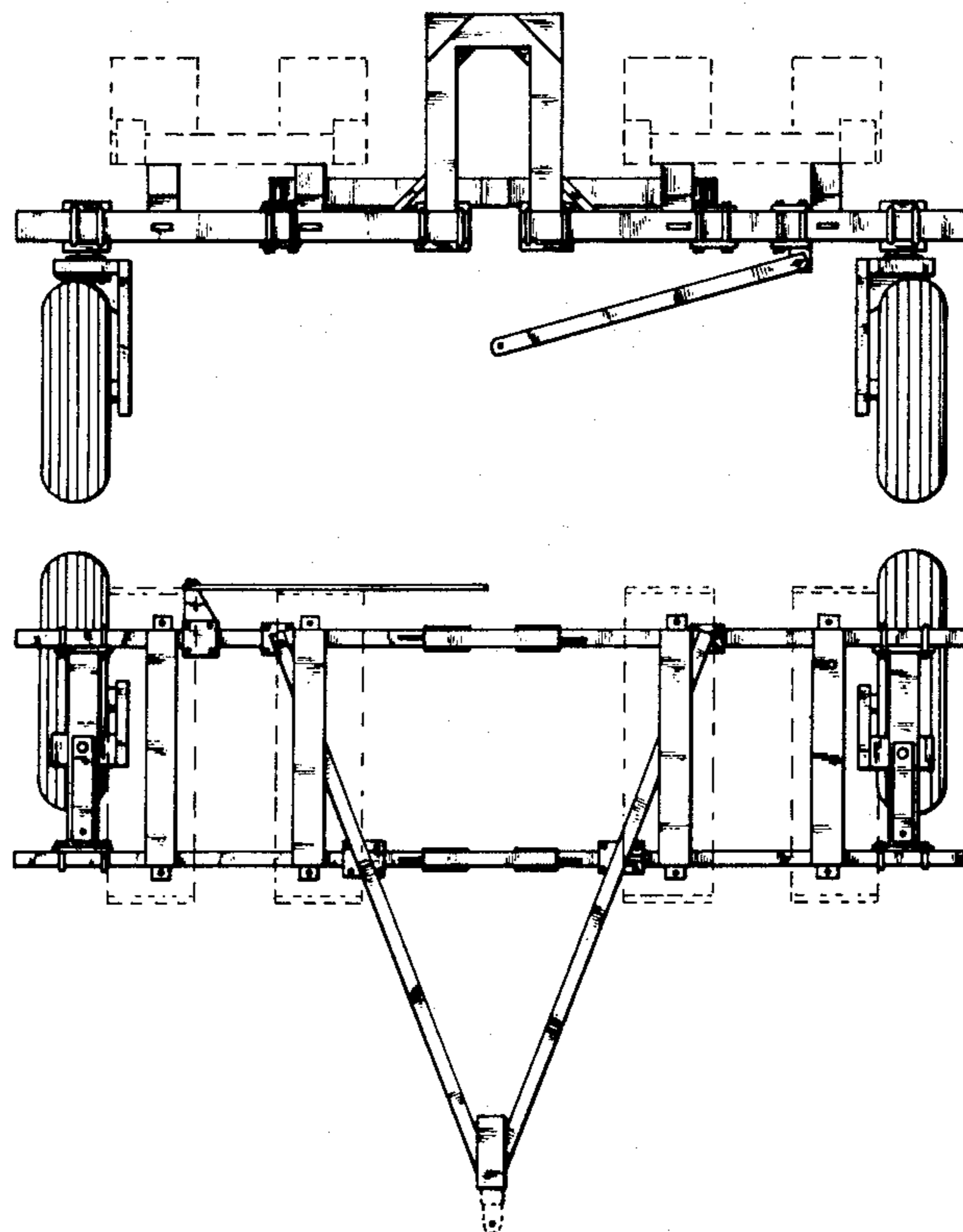
FIG. 3 is a front elevational view thereof.

FIG. 4 is a right-side elevational view thereof.

FIG. 5 is a bottom plan view thereof.

The appearance of the left-side is a mirror image of the right side shown in FIG. 4.

The dotted lines represent one possible arrangement of saddle tank mounting brackets which can be secured to the trailer and which are for illustrative purposes only and forms no part of the claimed design.



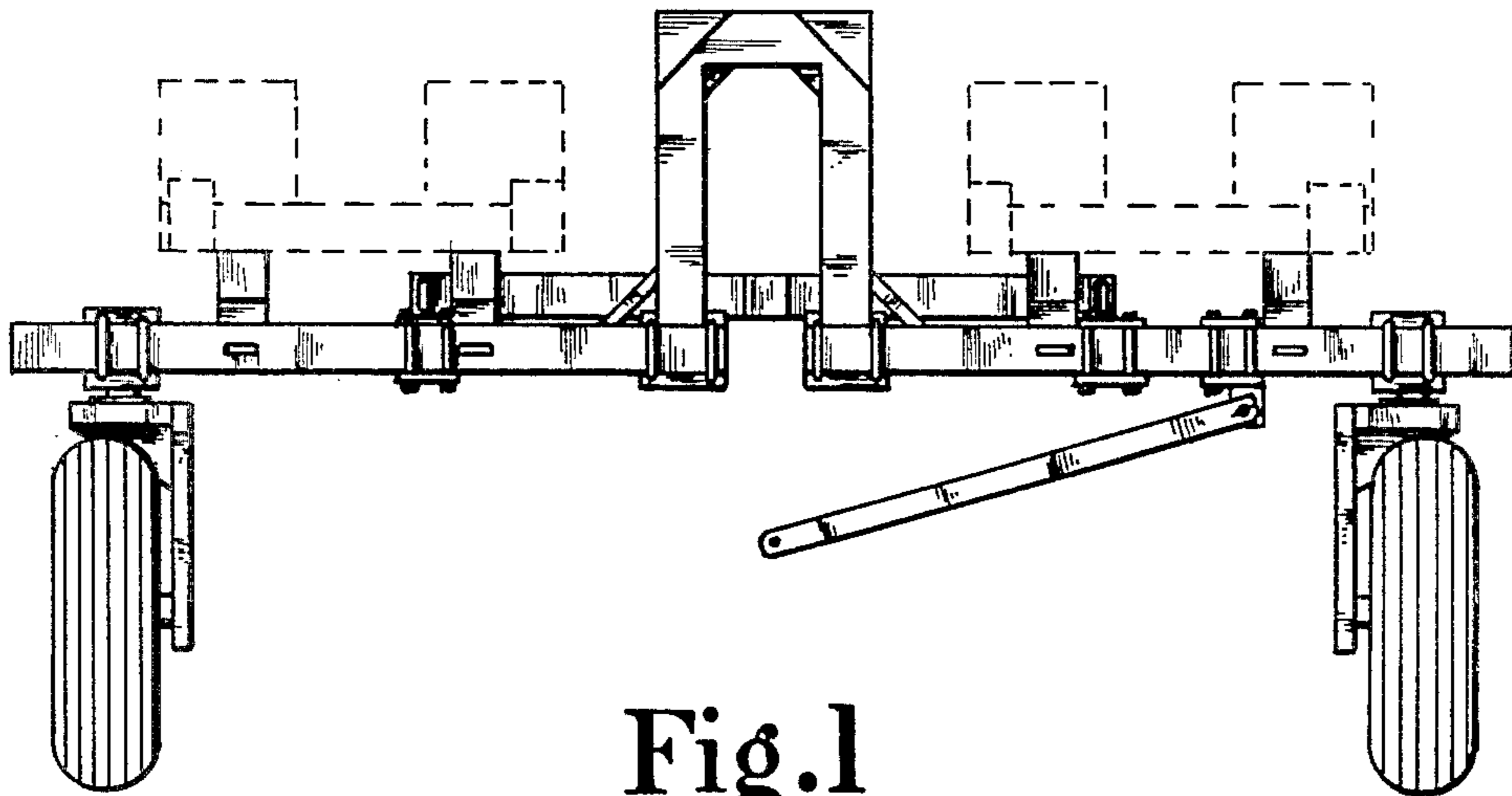


Fig. 1

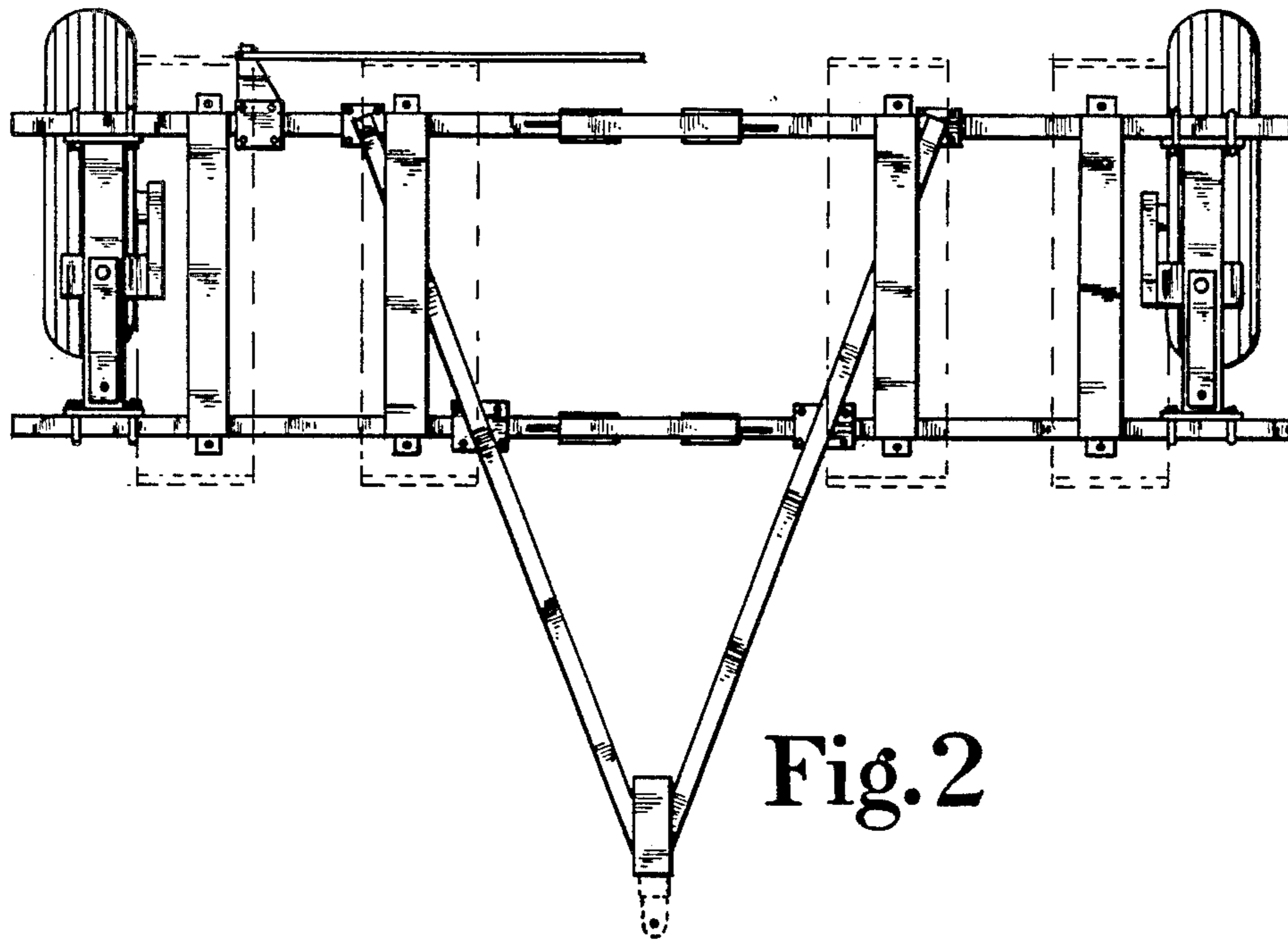


Fig. 2

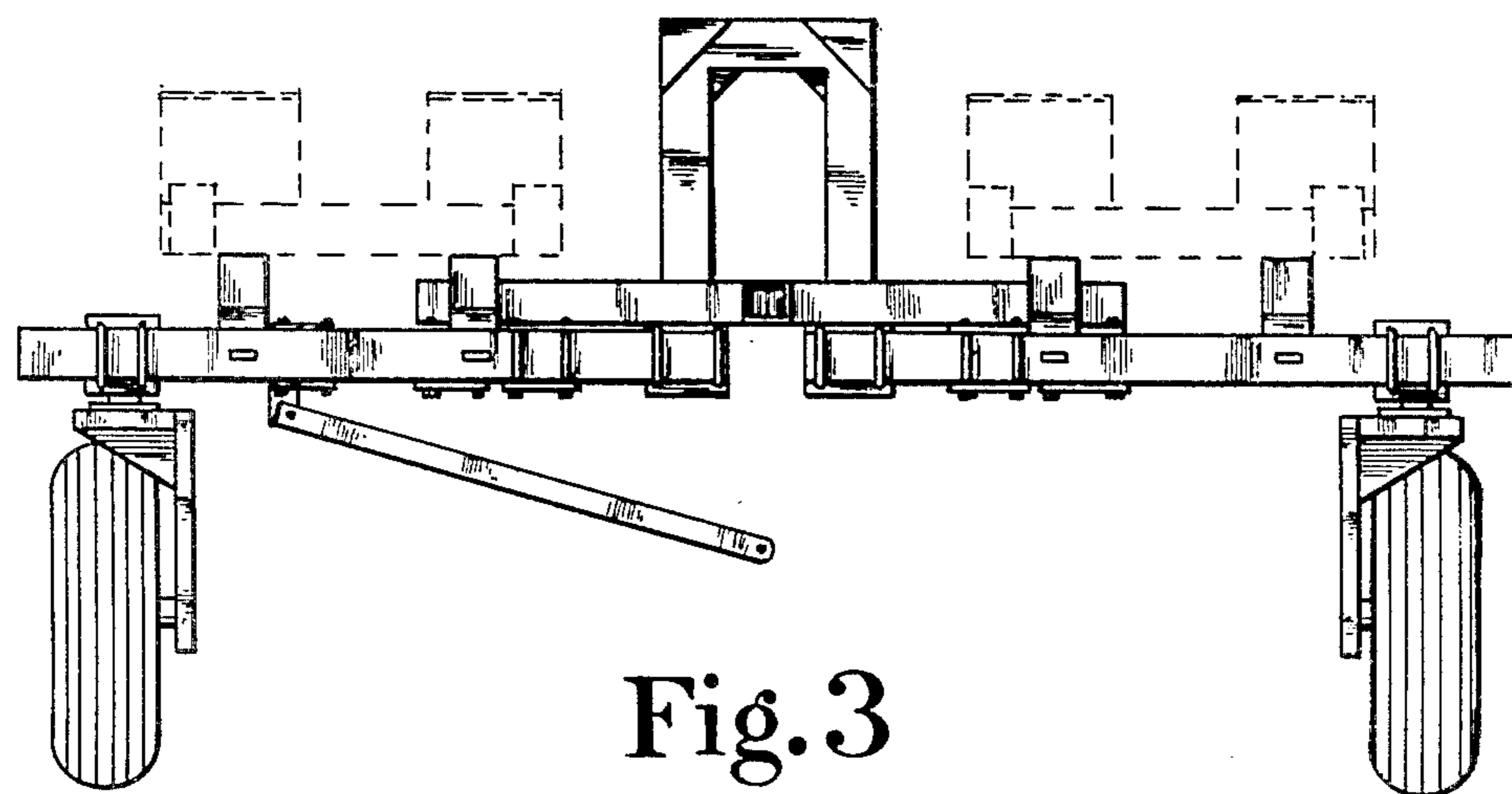


Fig. 3

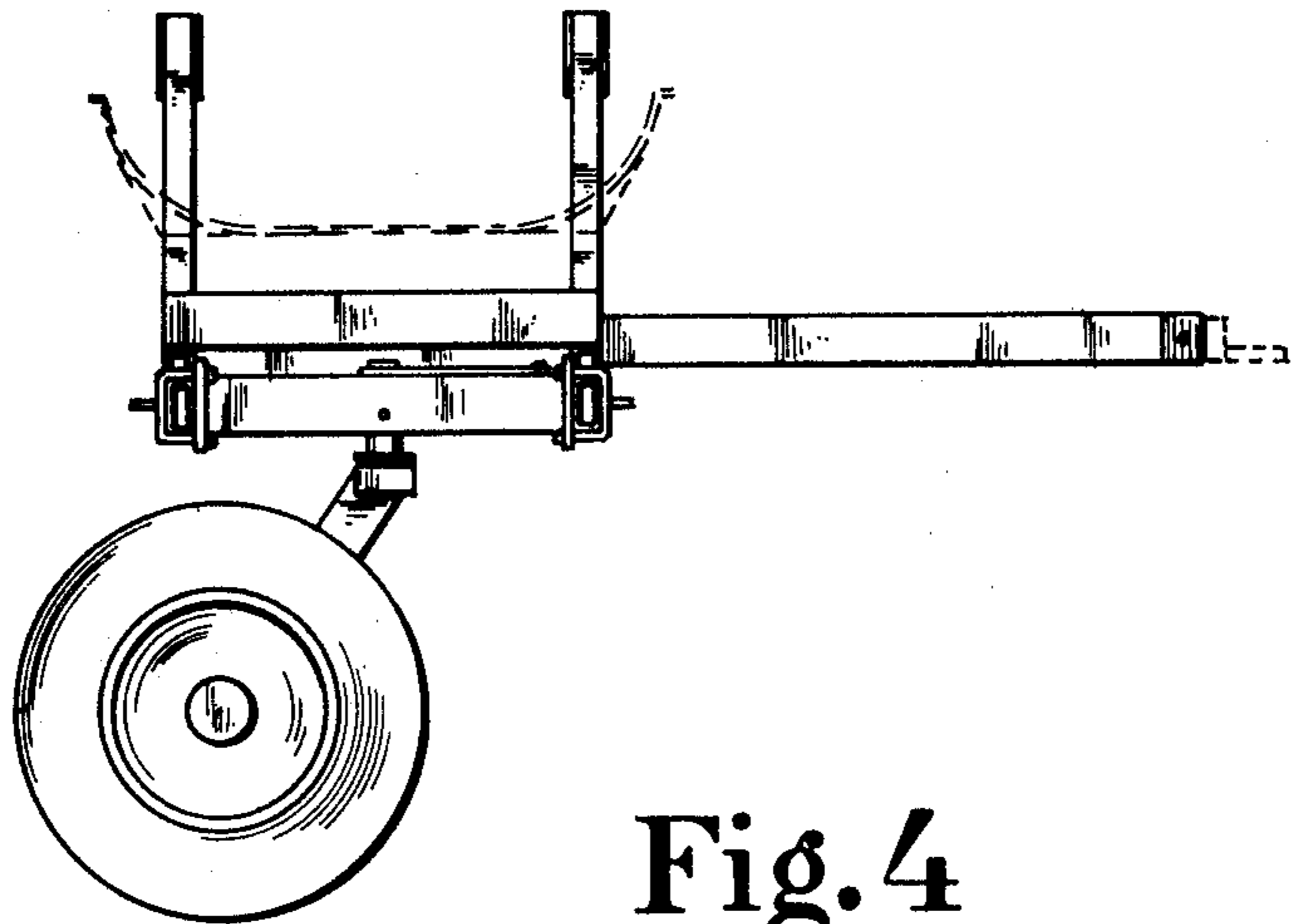


Fig. 4

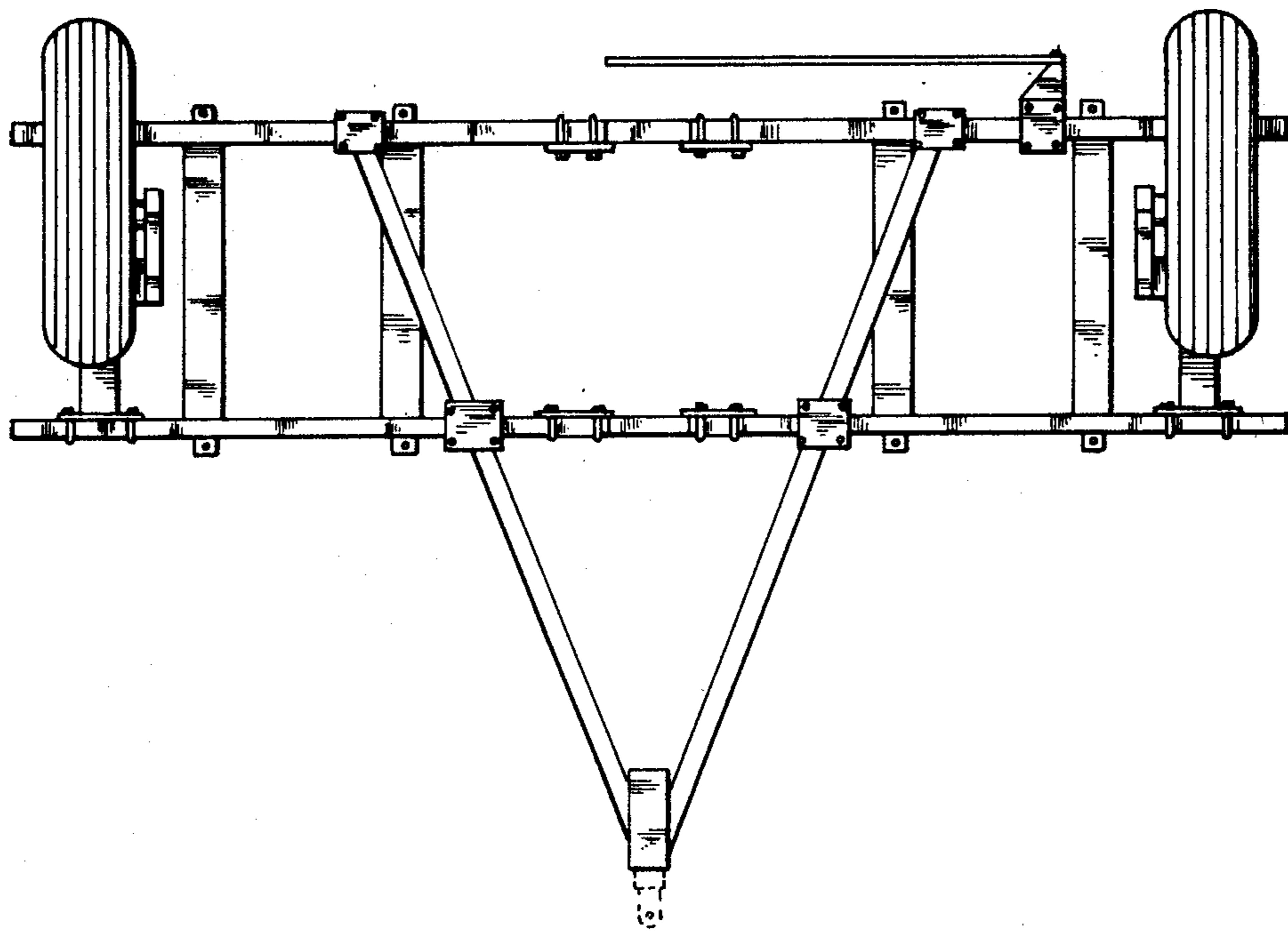


Fig. 5