

[54] **LAWN MOWER ROTOR SUPPORT HOUSING FOR CUTTING ELEMENTS OR THE LIKE**

[75] Inventors: **Arthur J. Ehrler**, Lake City, Fla.; **Carl A. Roser**, Rte. 9, 205 Proffitt La., Kingsport, Tenn. 37663

[73] Assignee: **Carl A. Roser**, Kingsport, Tenn.

[**] Term: **14 Years**

[21] Appl. No.: **393,528**

[22] Filed: **Jun. 30, 1982**

[52] U.S. Cl. **D15/17**

[58] Field of Search **D15/10, 11, 12, 14, D15/15, 17; D8/8; 56/295, 235, 255, 285**

[56] **References Cited**

U.S. PATENT DOCUMENTS

D. 174,375	4/1955	Cole	D15/17
D. 254,173	2/1980	Proulx	D8/8
D. 264,675	6/1982	Inaga et al.	D8/8
2,745,331	5/1956	Lancour	56/295
4,121,405	10/1978	Wolf	56/295

FOREIGN PATENT DOCUMENTS

2731058 1/1979 Fed. Rep. of Germany 56/295

OTHER PUBLICATIONS

Modern Plastics, p. 169, 4/1977, Disc for Lawn Mowers, upper top page.

Primary Examiner—Wallace R. Burke

Assistant Examiner—Suzanne N. Gitlin

Attorney, Agent, or Firm—Arthur G. Yeager

[57] **CLAIM**

The ornamental design for lawn mower rotor support housing for cutting elements or the like, substantially as shown.

DESCRIPTION

FIG. 1 is a top plan view of a lawn mower rotor support housing for cutting elements or the like showing our new design;

FIG. 2 is a front elevational view thereof;

FIG. 3 is a bottom plan view thereof;

FIG. 4 is an enlarged cross-sectional view taken along line 4—4 of FIG. 1;

FIG. 5 is a cross-sectional view taken along line 5—5 of FIG. 4;

FIG. 6 is an enlarged partial cross-sectional view taken along line 6—6 of FIG. 1;

FIG. 7 is an enlarged partial cross-sectional view taken along line 7—7 of FIG. 1;

FIG. 8 is a top plan view of a second embodiment of the lawn mower rotor support housing for cutting elements or the like;

FIG. 9 is a front elevational view thereof;

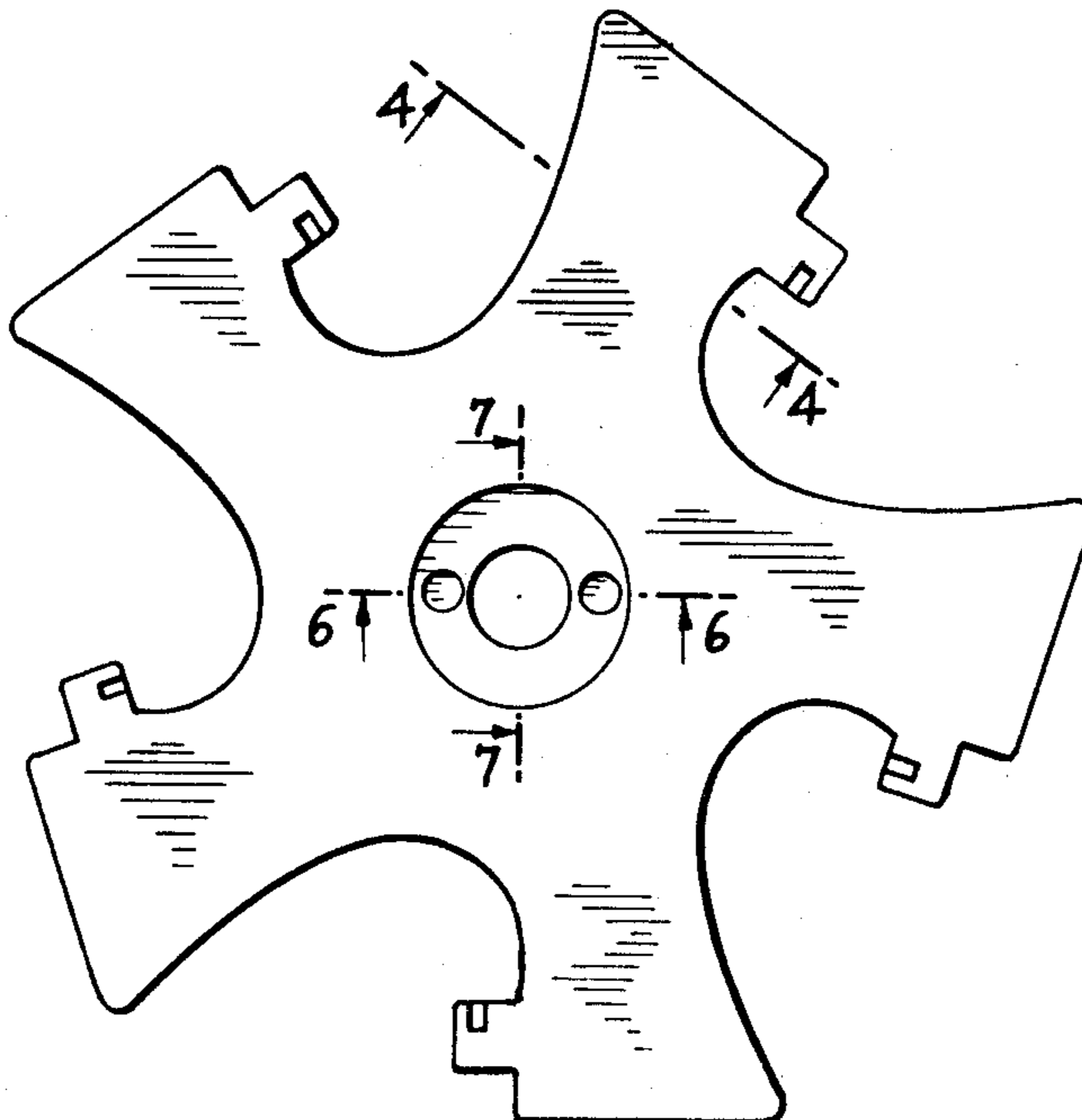
FIG. 10 is a bottom plan view thereof;

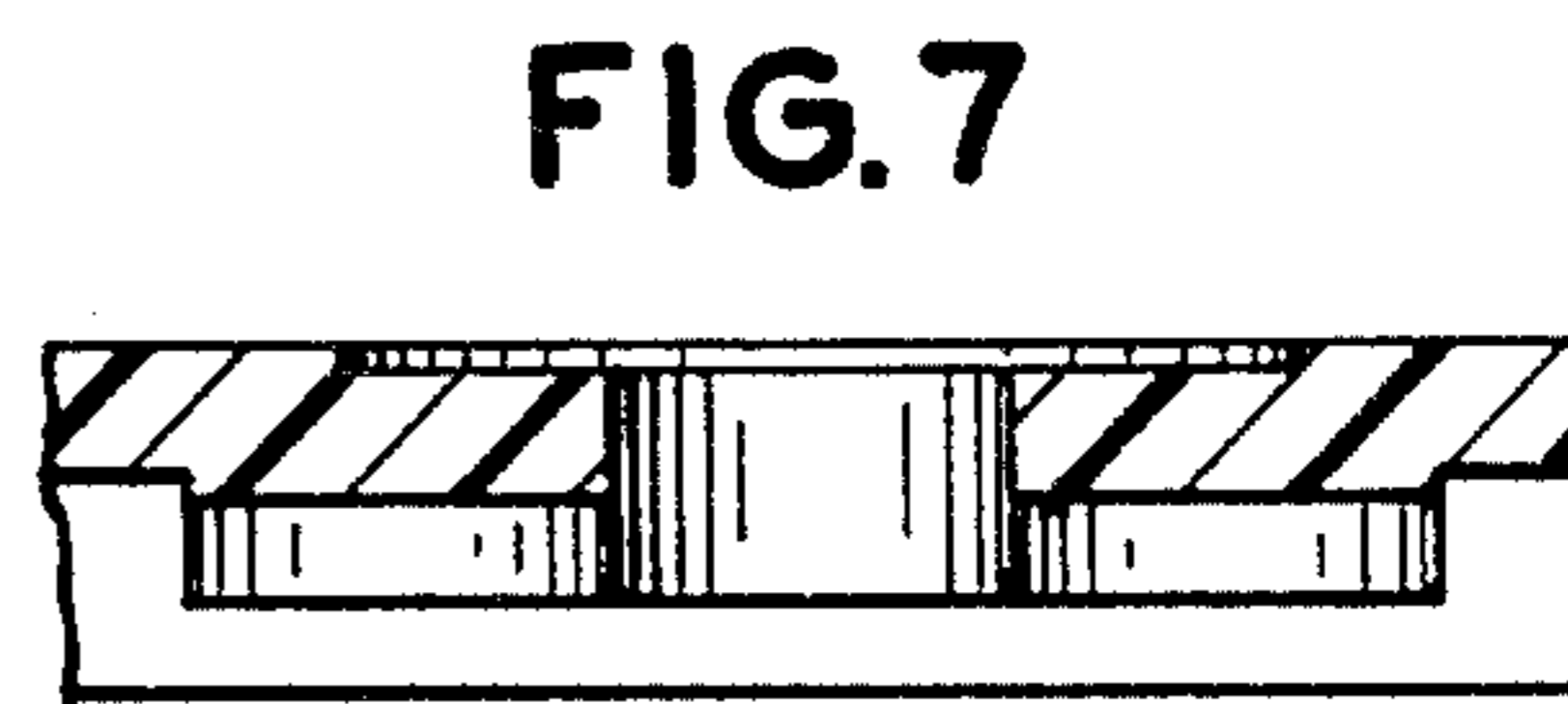
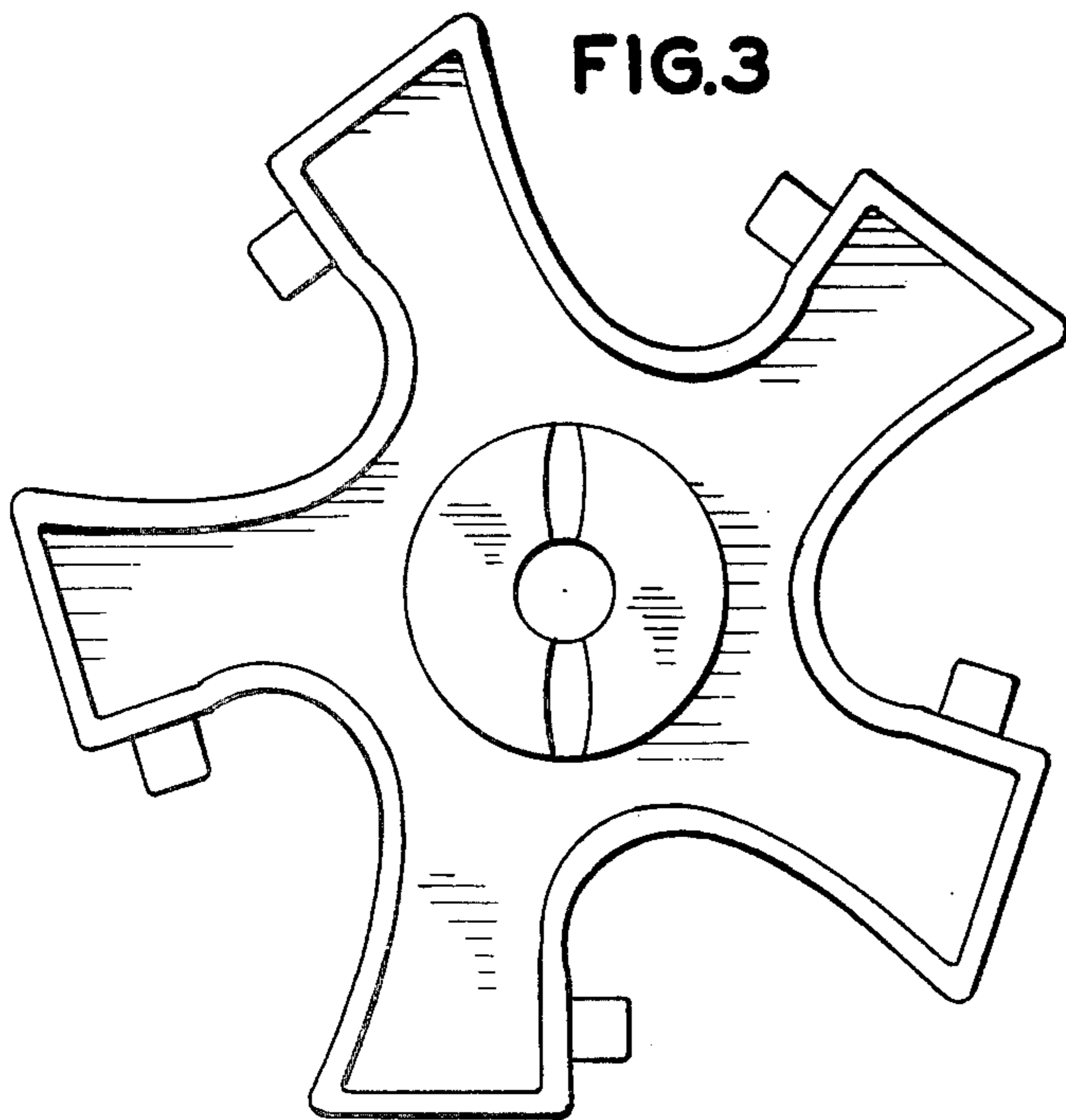
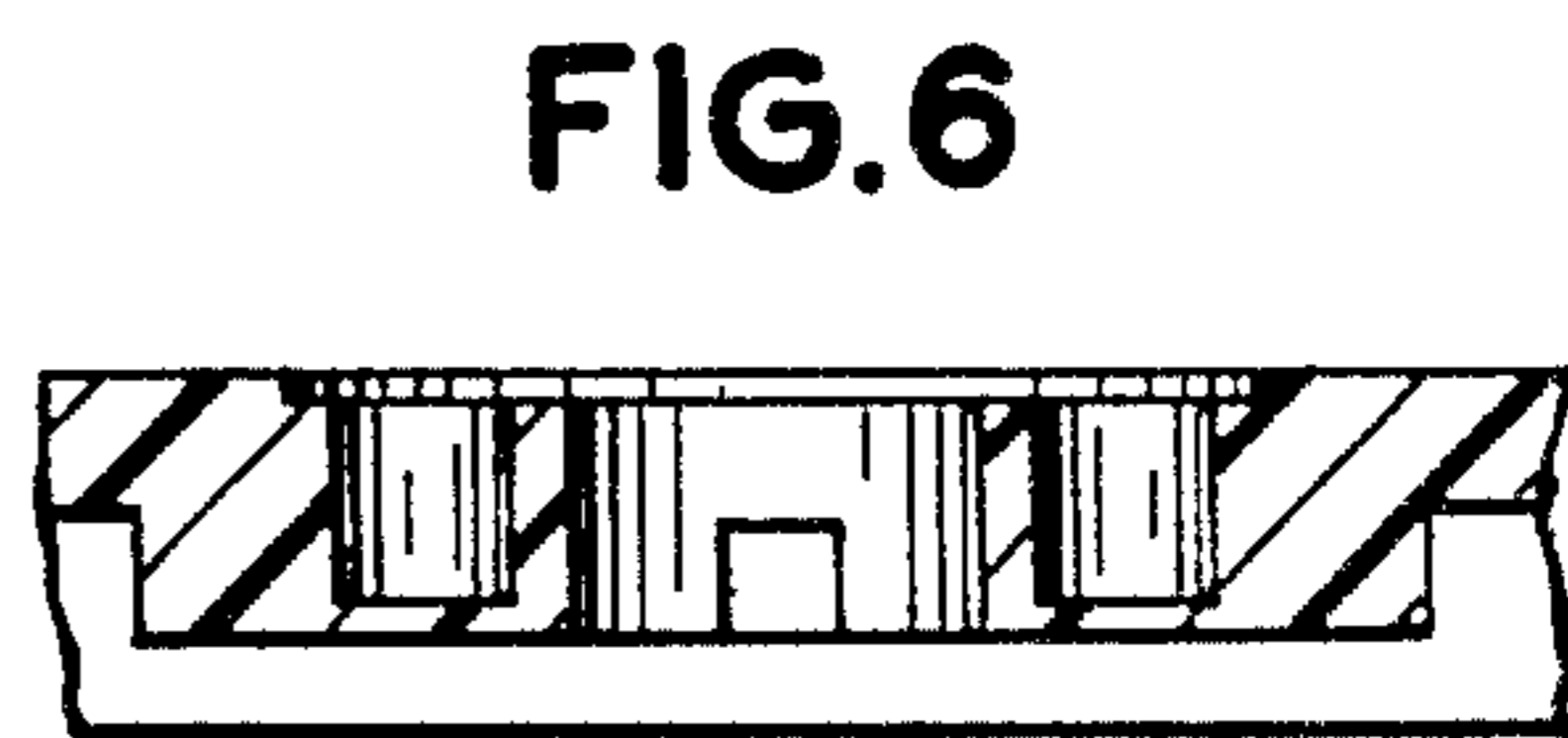
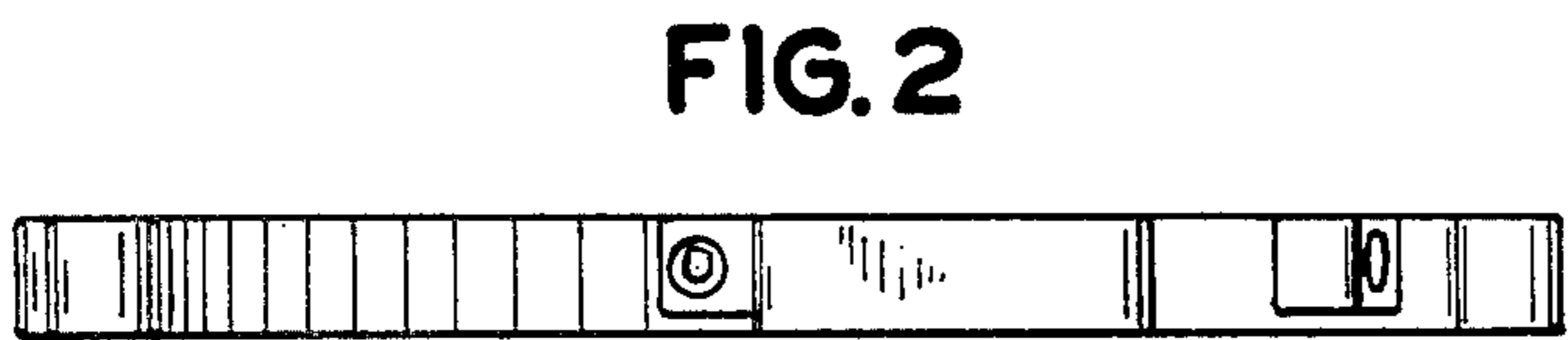
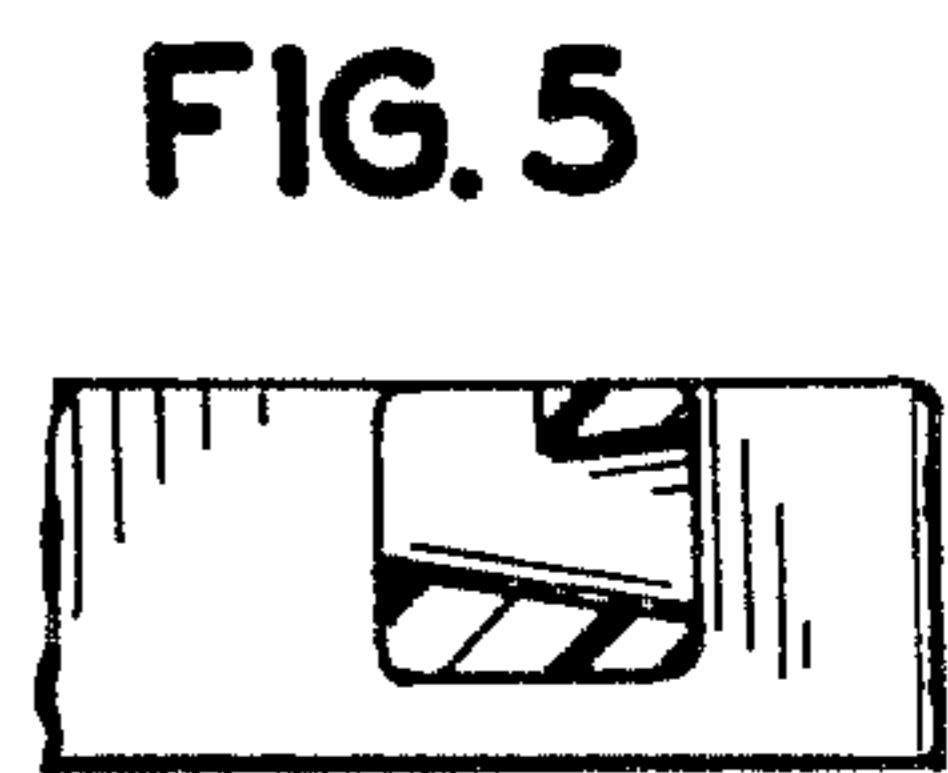
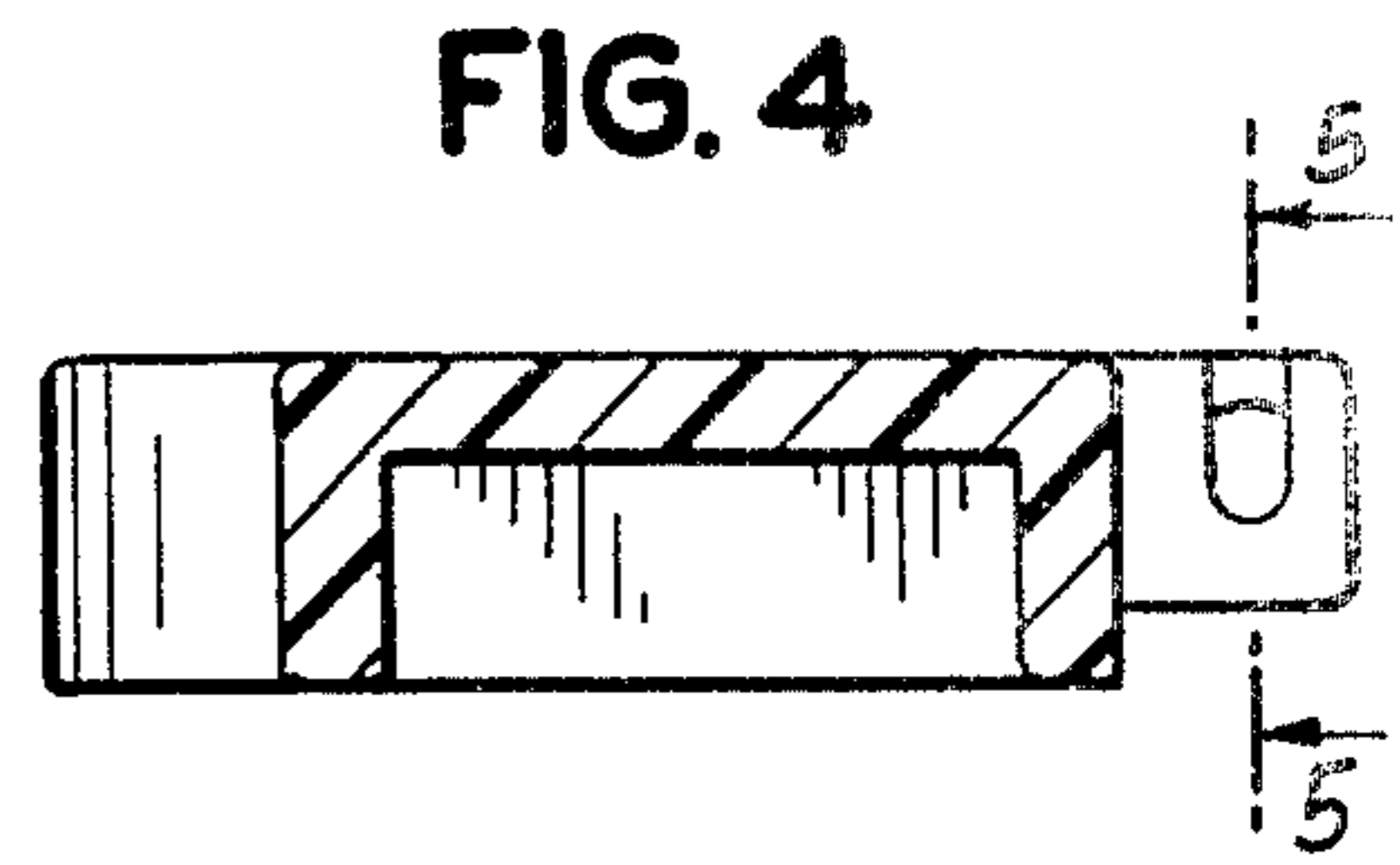
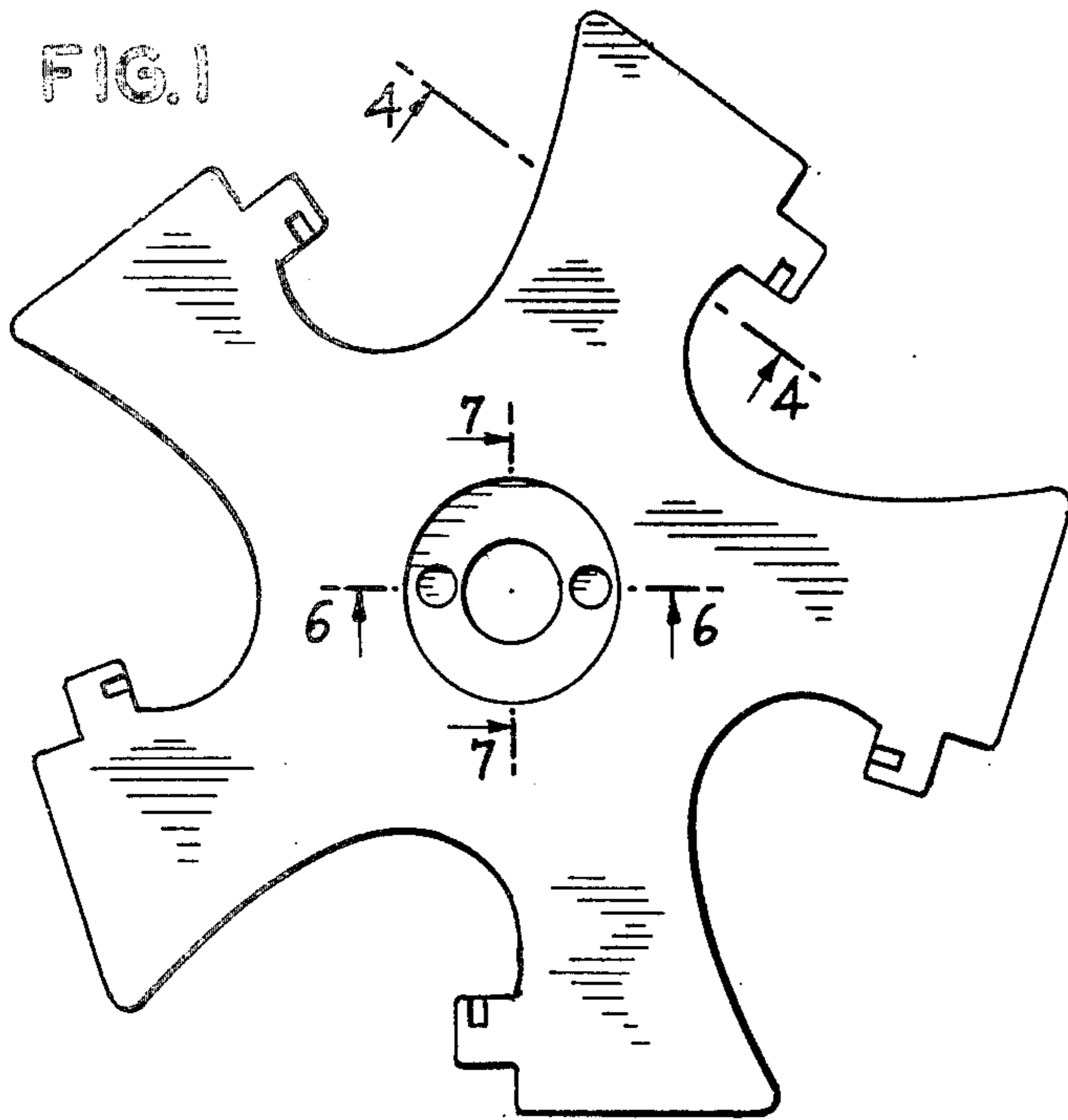
FIG. 11 is an enlarged cross-sectional view taken along line 11—11 of FIG. 8;

FIG. 12 is a partial cross-sectional view taken along line 12—12 of FIG. 11;

FIG. 12 is an enlarged partial cross-sectional view taken along line 13—13 of FIG. 8; and

FIG. 14 is an enlarged partial cross-sectional view taken along line 14—14 of FIG. 8.





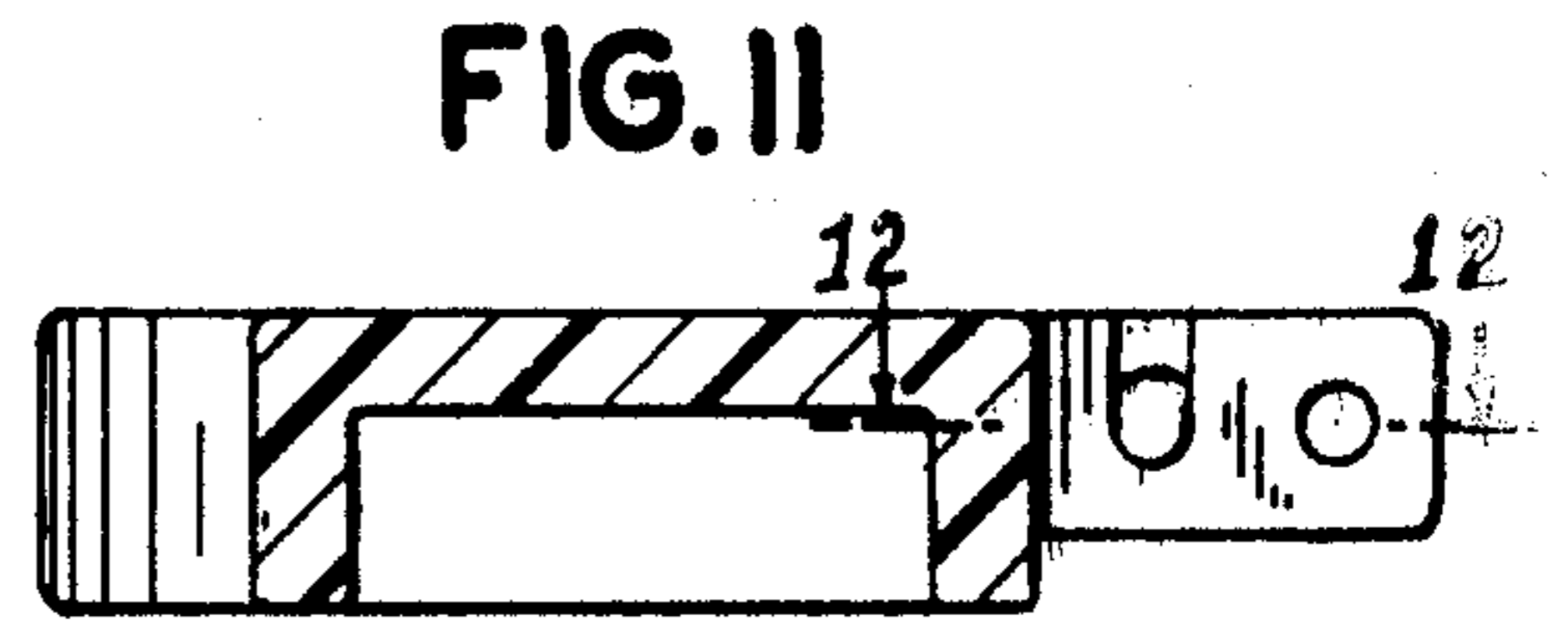
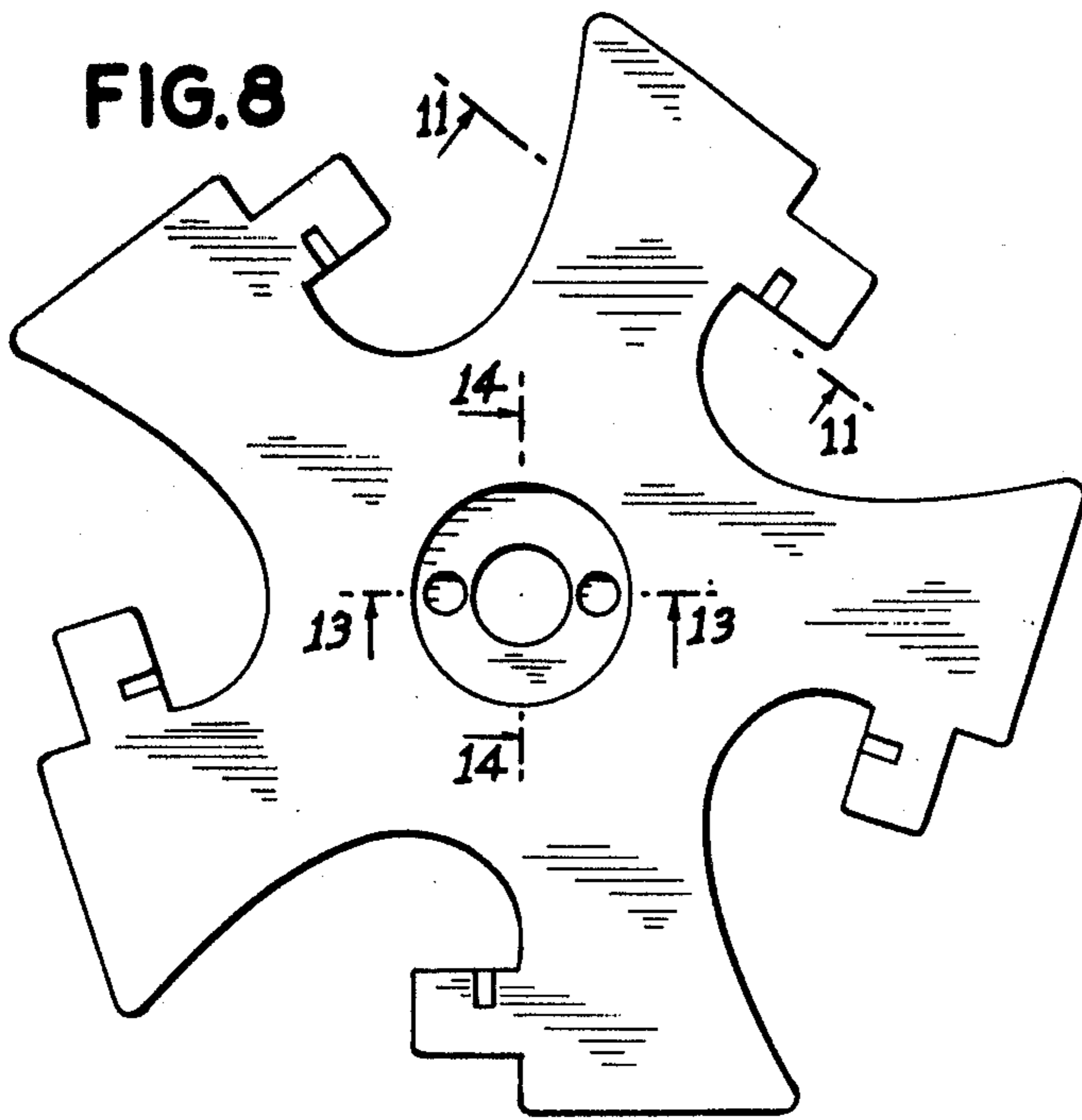


FIG. 12

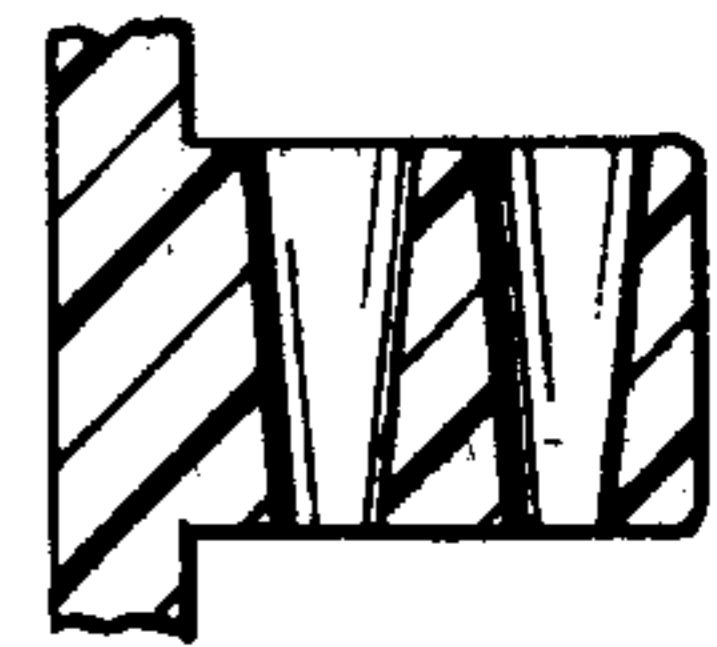


FIG. 13



FIG. 9



FIG. 10

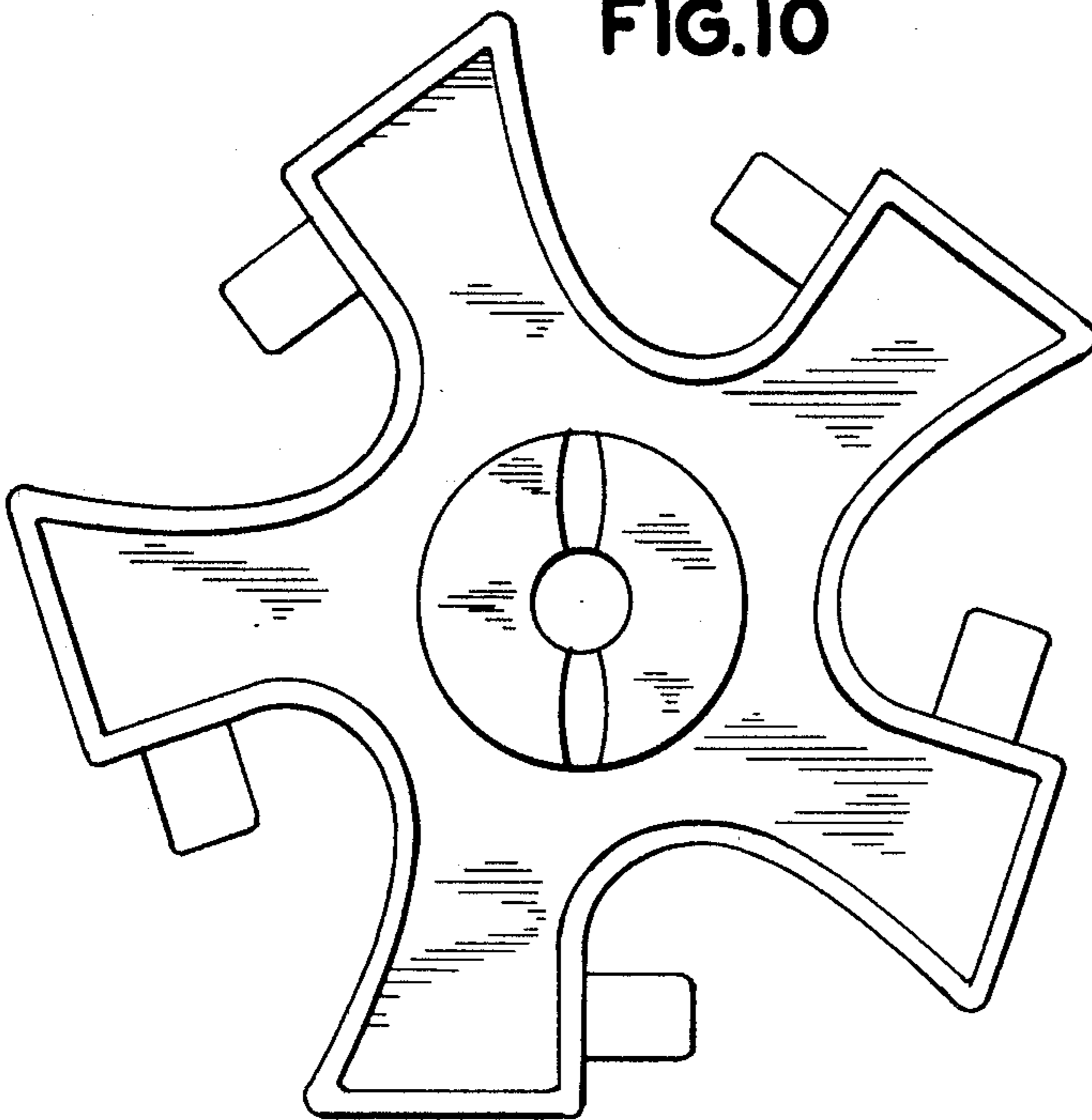


FIG. 14

