

[54] PHONOGRAPH STYLUS

[75] Inventors: Julius Carlson, Morton Grove; Robert L. Deschamps, Bartlett, both of Ill.

[73] Assignee: Shure Brothers, Inc., Evanston, Ill.

[**] Term: 14 Years

[21] Appl. No.: 344,815

[22] Filed: Feb. 1, 1982

[52] U.S. Cl. D14/29; D14/28

[58] Field of Search D14/28, 29; 369/170

[56] References Cited

U.S. PATENT DOCUMENTS

- D. 252,628 8/1979 Wellwood et al. D14/29
- D. 258,586 3/1981 Kehl et al. D14/29

Primary Examiner—Jane E. Corrigan
Attorney, Agent, or Firm—Allegretti, Newitt, Witcoff & McAndrews, Ltd.

[57] CLAIM

The ornamental design for the phonograph stylus, as shown and described.

DESCRIPTION

FIG. 1 is a front, top and left side perspective view of a phonograph stylus showing our new design;
 FIG. 2 is a top plan view;
 FIG. 3 is a front elevational view;
 FIG. 4 is a right side elevational view;
 FIG. 5 is a rear elevational view;
 FIG. 6 is a bottom plan view; and
 FIG. 7 is a sectional view taken along line 7—7 in FIG. 2.

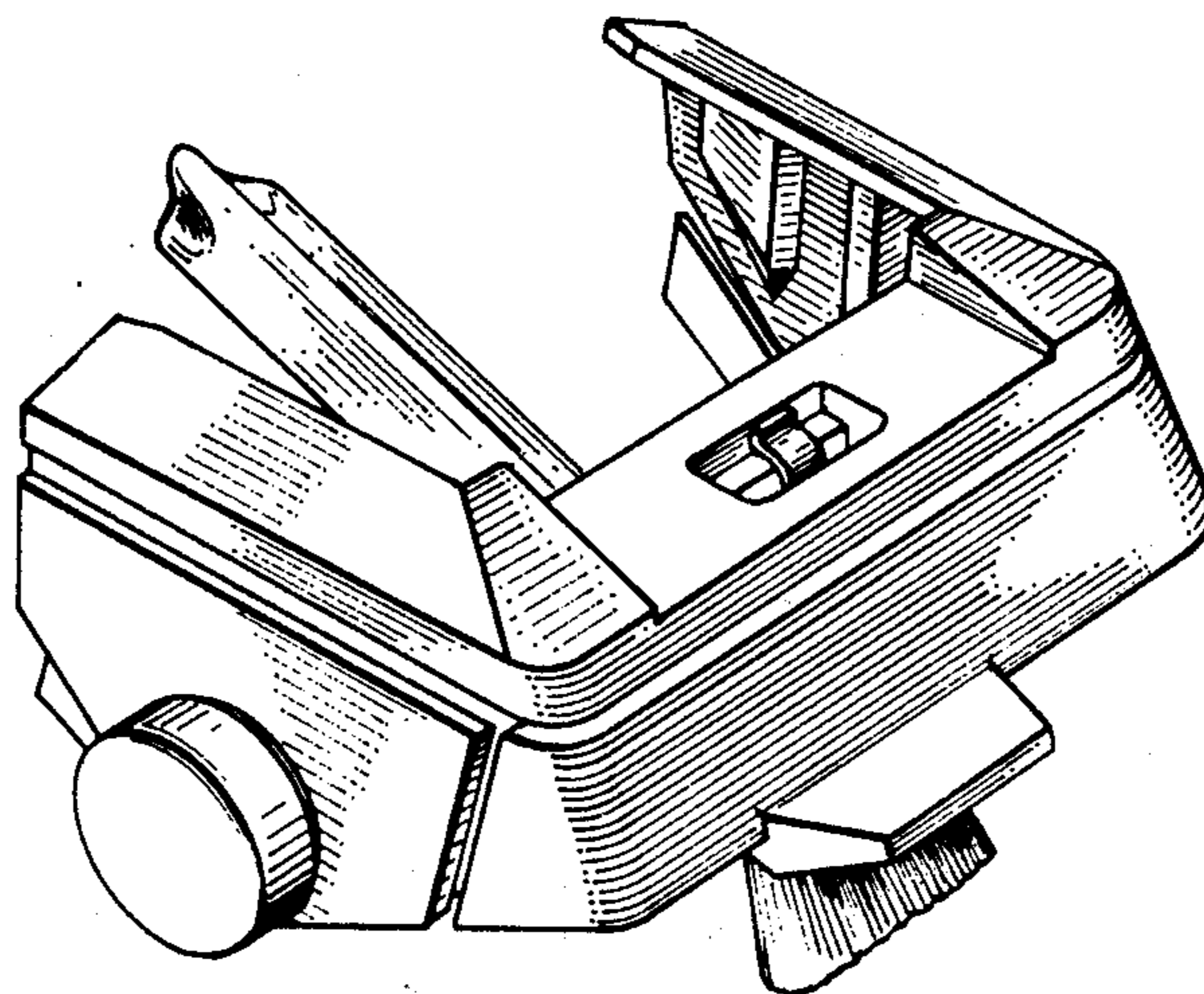


Fig. 1

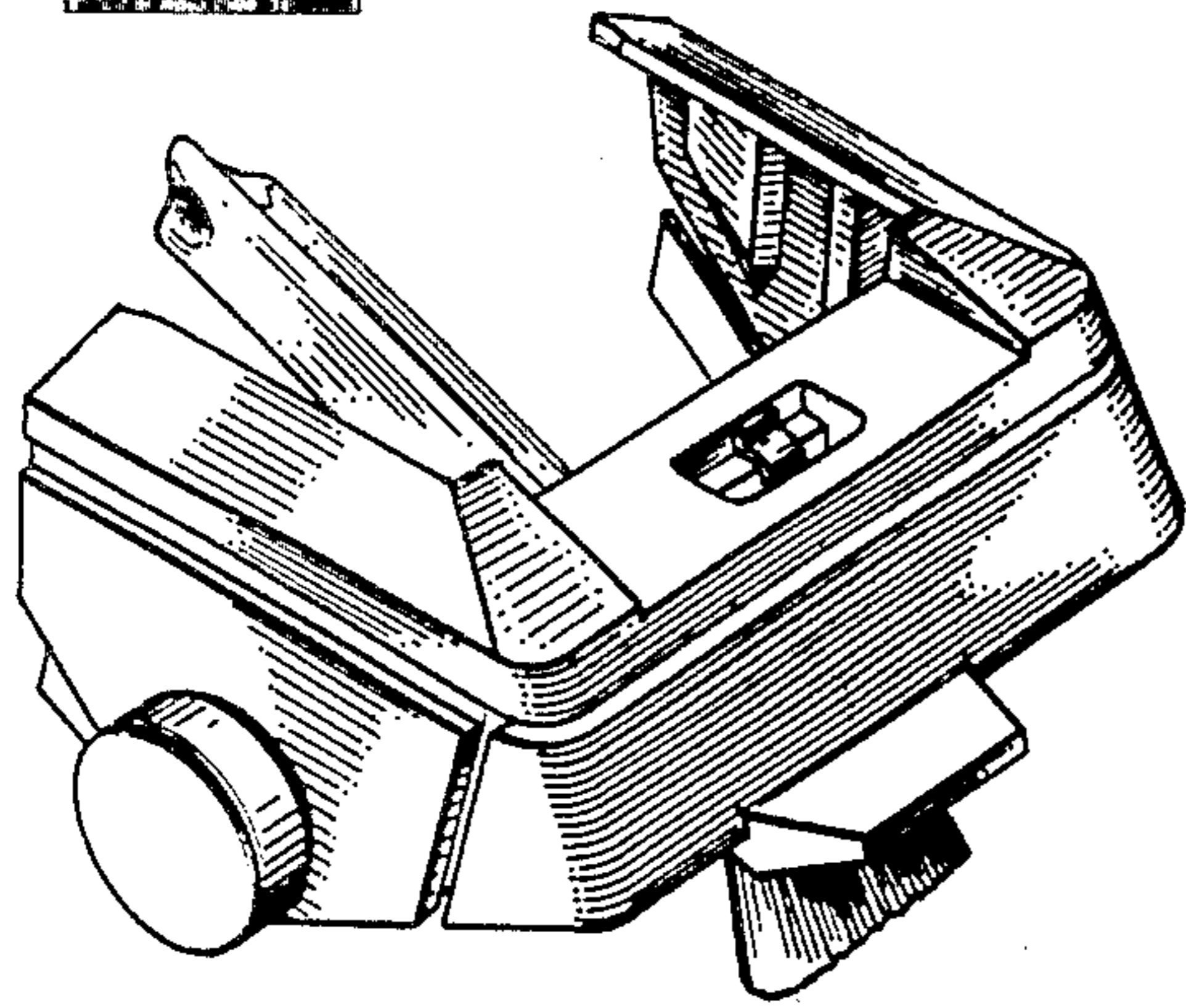


Fig. 2

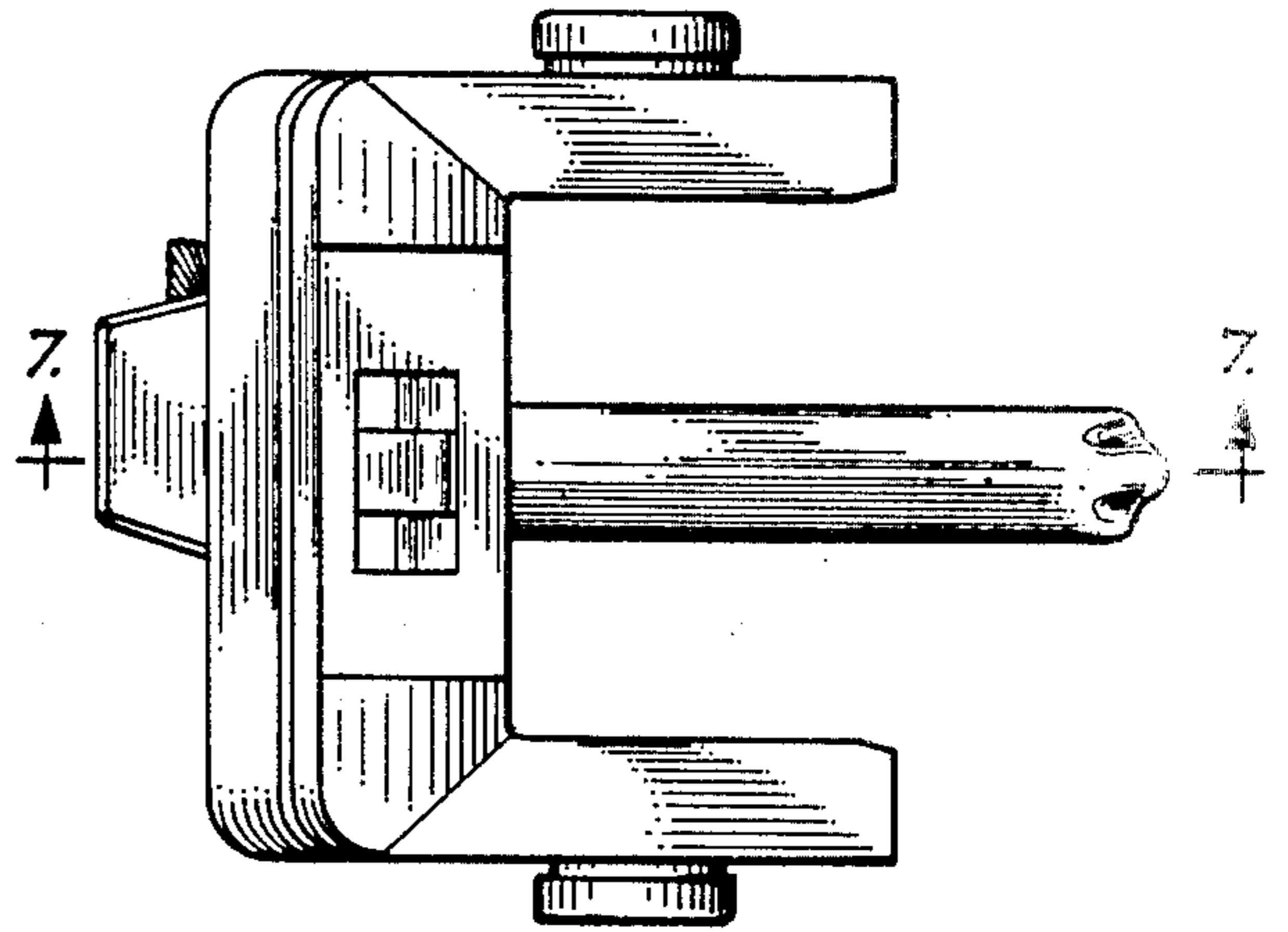


Fig. 3

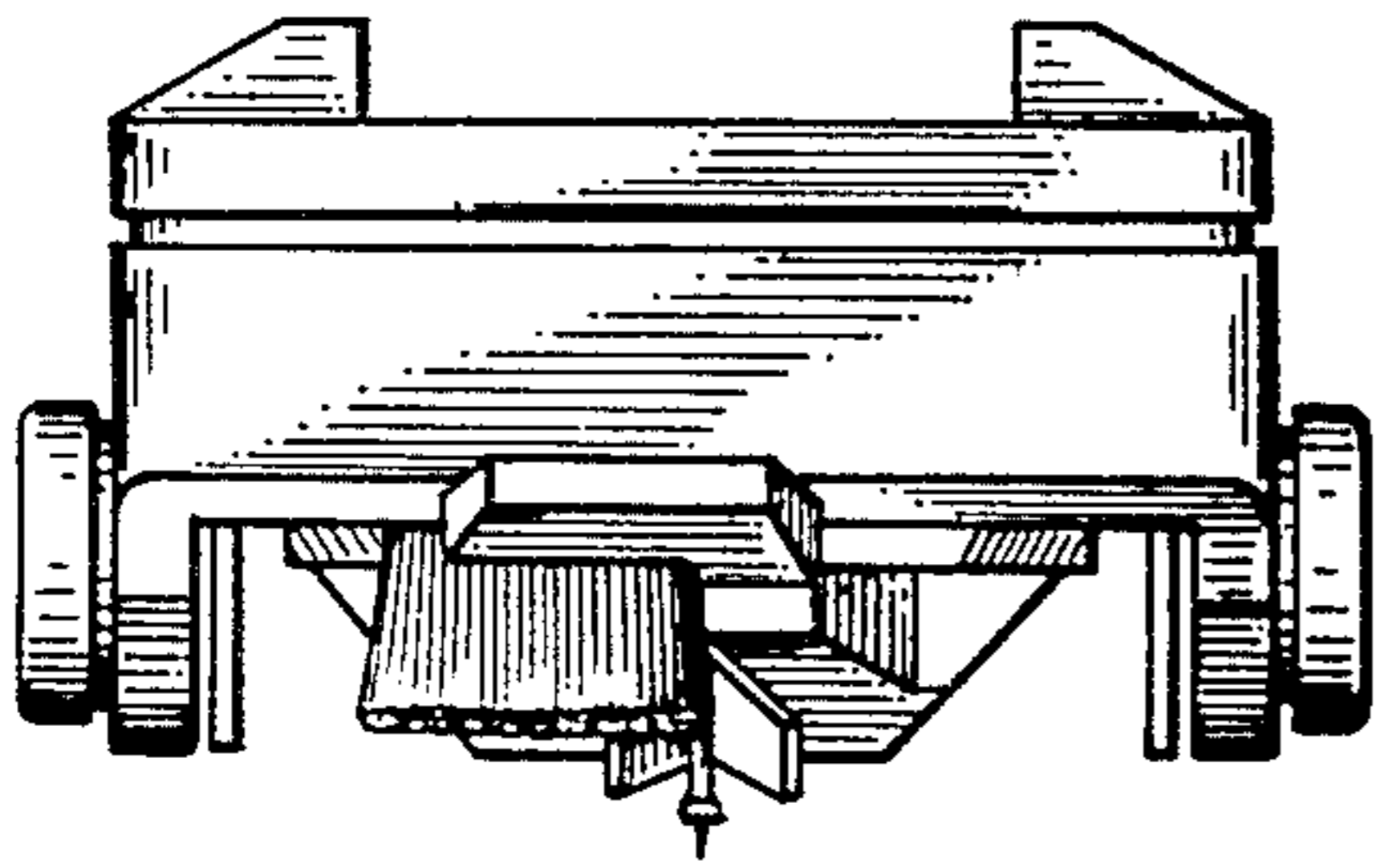


Fig. 4

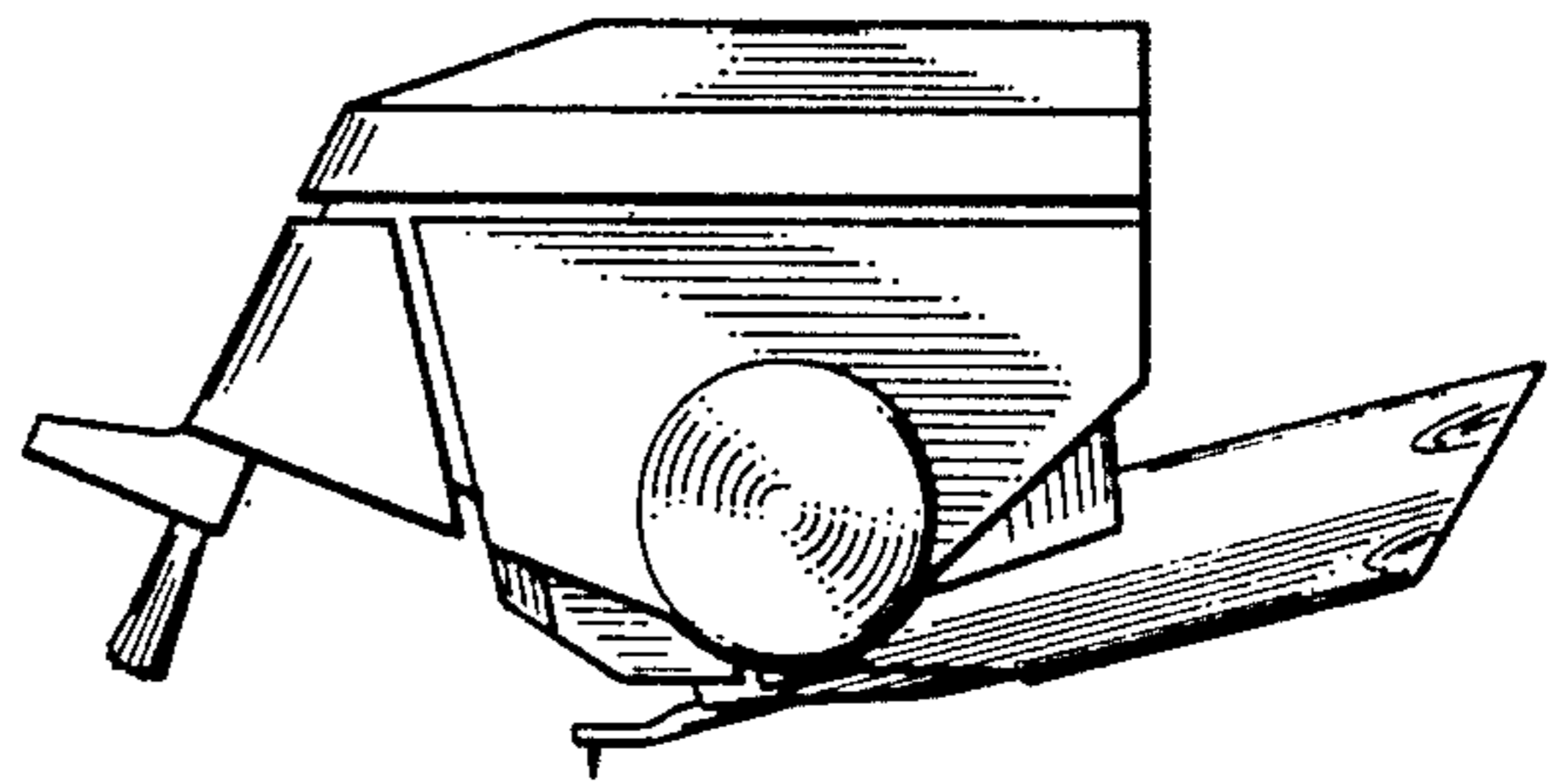


Fig. 5

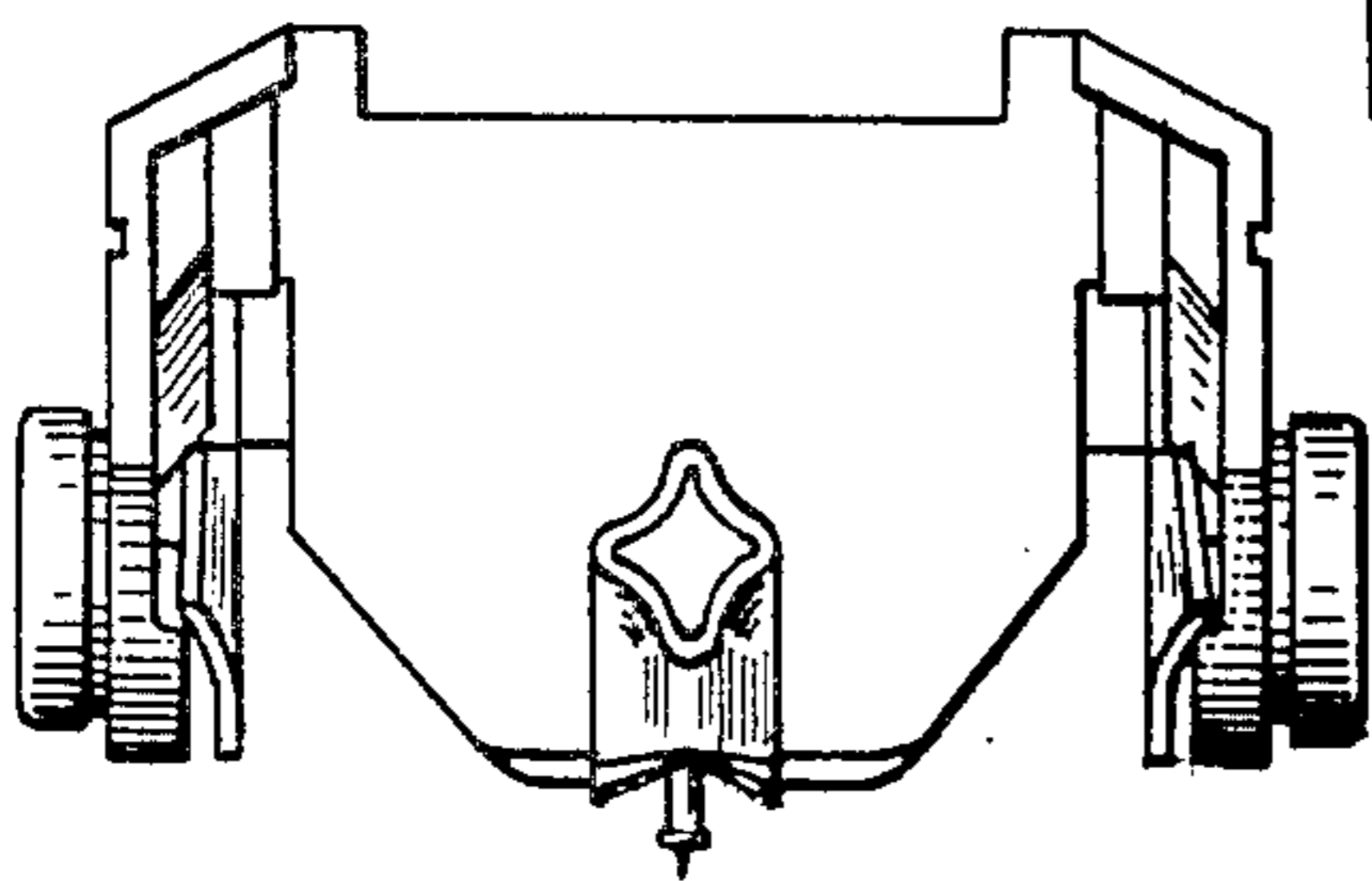


Fig. 6

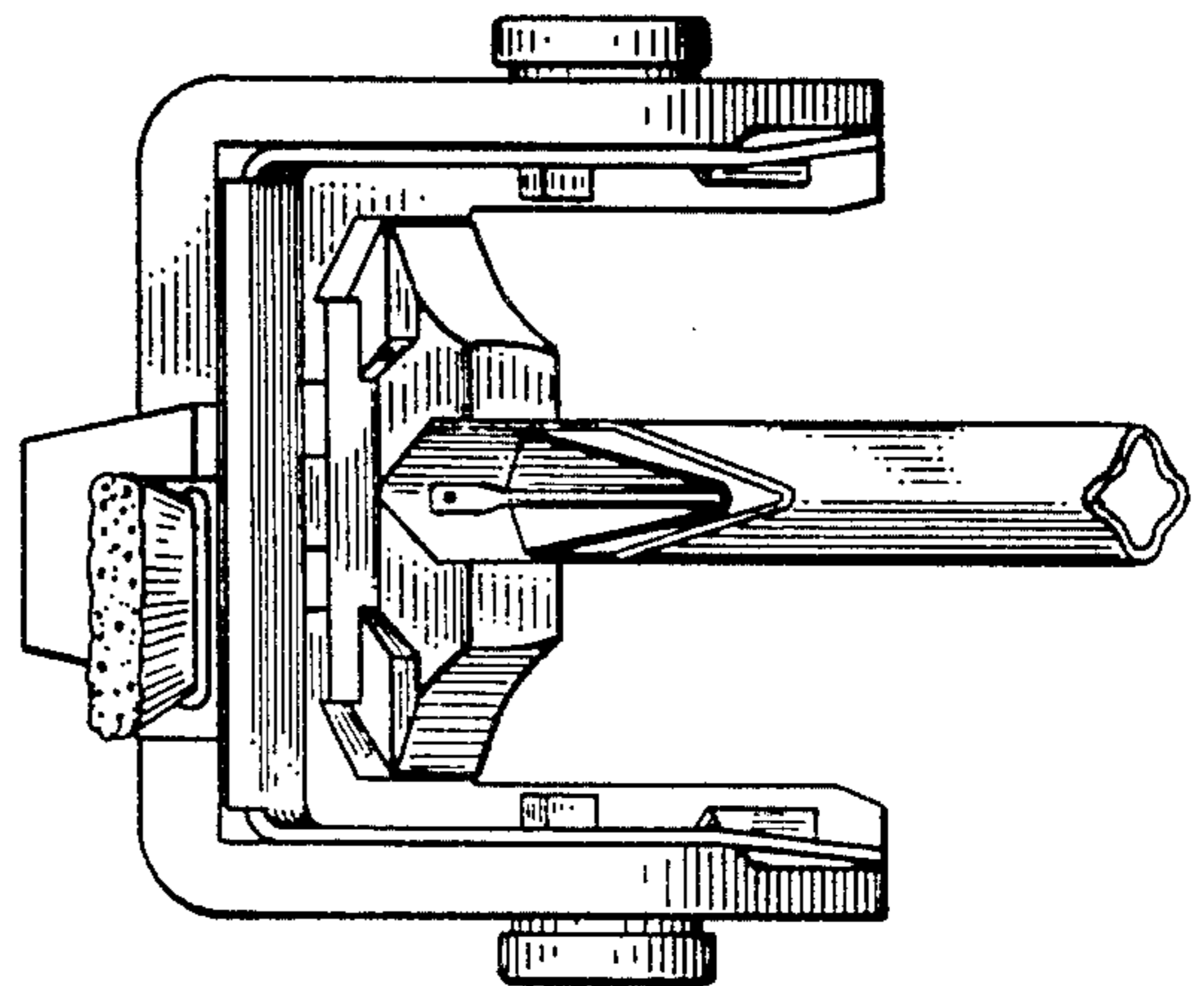


Fig. 7

