

[54] PHONOGRAPH CARTRIDGE

[75] Inventors: Julius Carlson, Morton Grove; Robert L. Deschamps, Bartlett, both of Ill.

[73] Assignee: Shure Brothers, Inc., Evanston, Ill.

[**] Term: 14 Years

[21] Appl. No.: 344,816

[22] Filed: Feb. 1, 1982

[52] U.S. Cl. D14/28

[58] Field of Search D14/28, 29; 369/170

[56] References Cited

U.S. PATENT DOCUMENTS

- D. 198,974 8/1964 Stanton D14/28
- D. 254,004 1/1980 Wellwood et al. D14/28

OTHER PUBLICATIONS

High Fidelity, 5-81, p. 2, Pickering XSV/5000 cartridge.

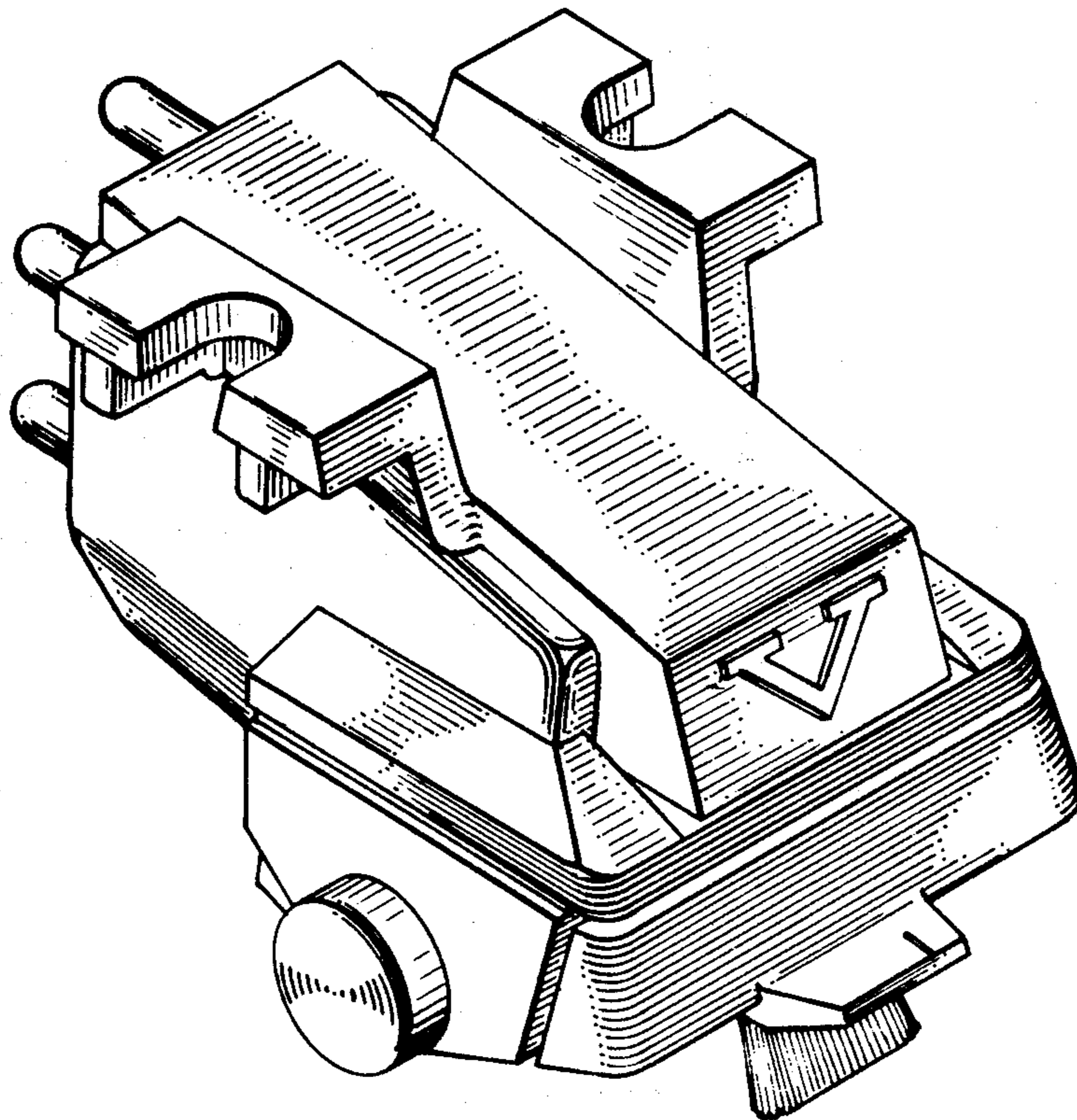
Primary Examiner—Jane E. Corrigan
Attorney, Agent, or Firm—Allegretti, Newitt, Witcoff & McAndrews, Ltd.

[57] CLAIM

The ornamental design for the phonograph cartridge, as shown and described.

DESCRIPTION

FIG. 1 is a front, top and left side perspective view of a phonograph cartridge showing our new design; FIG. 2 is a front elevational view; FIG. 3 is a right side elevational view; FIG. 4 is a rear elevational view; FIG. 5 is a top plan view; and FIG. 6 is a bottom plan view.



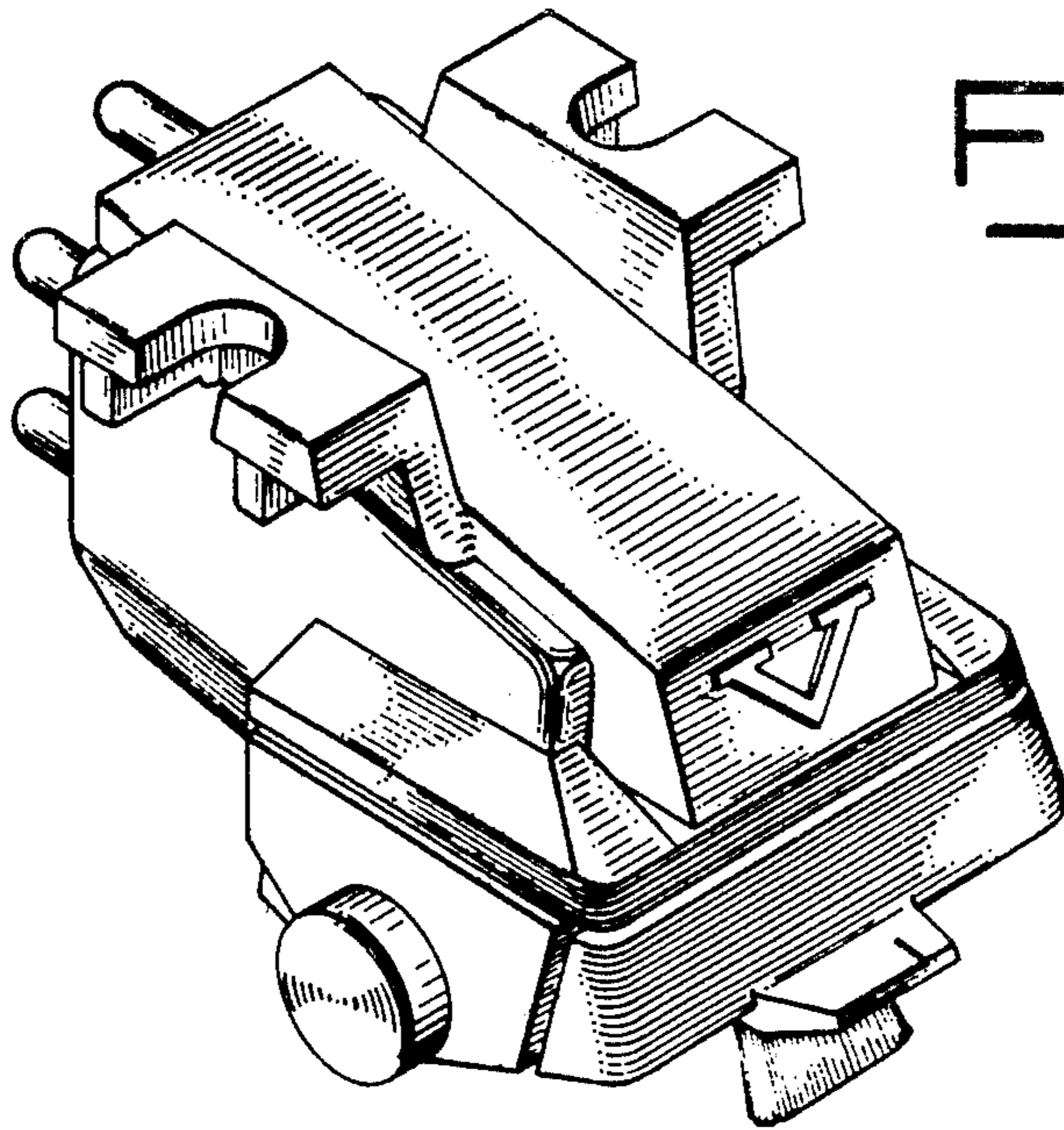


Fig. 1

Fig. 2

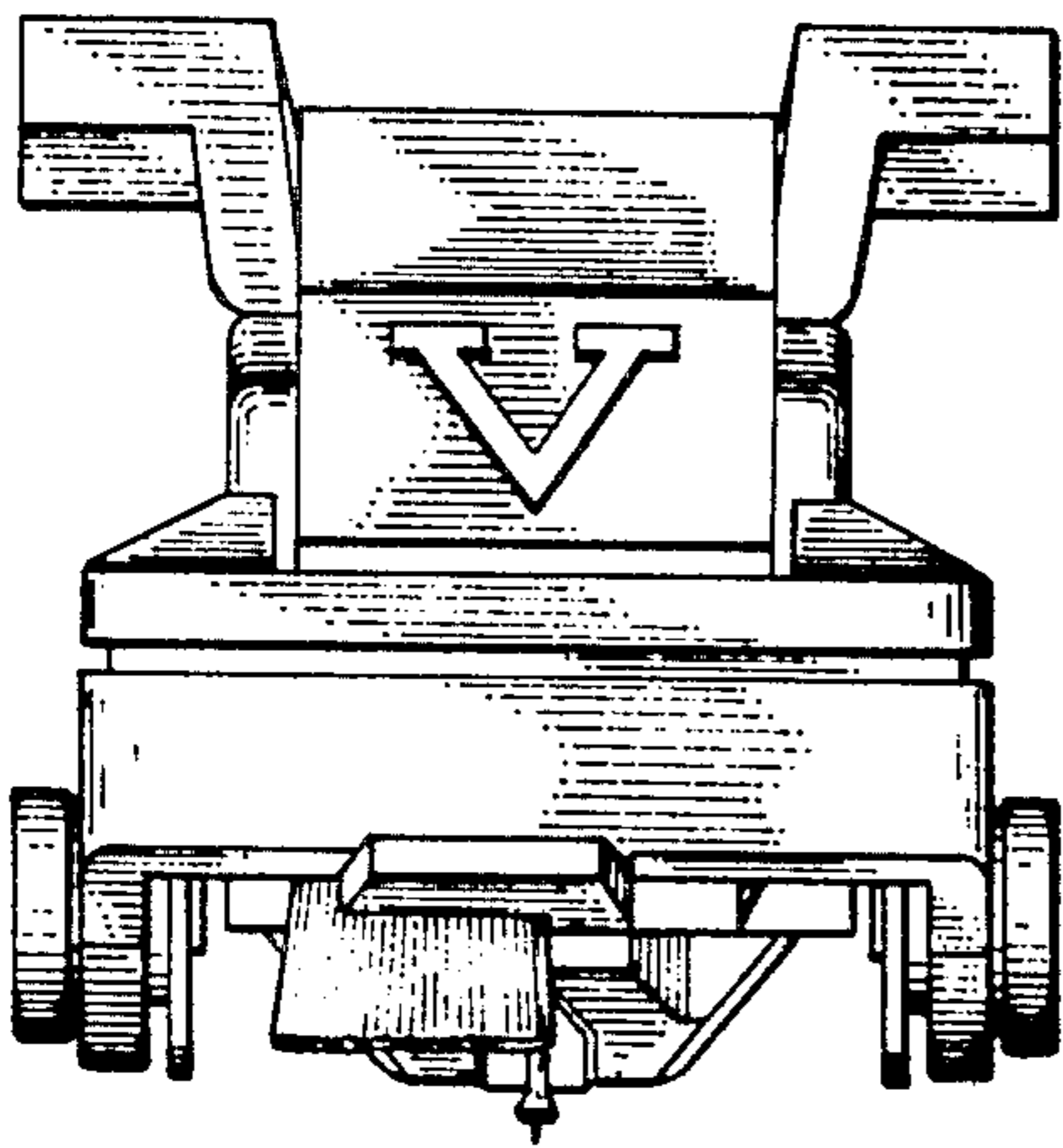


Fig. 3

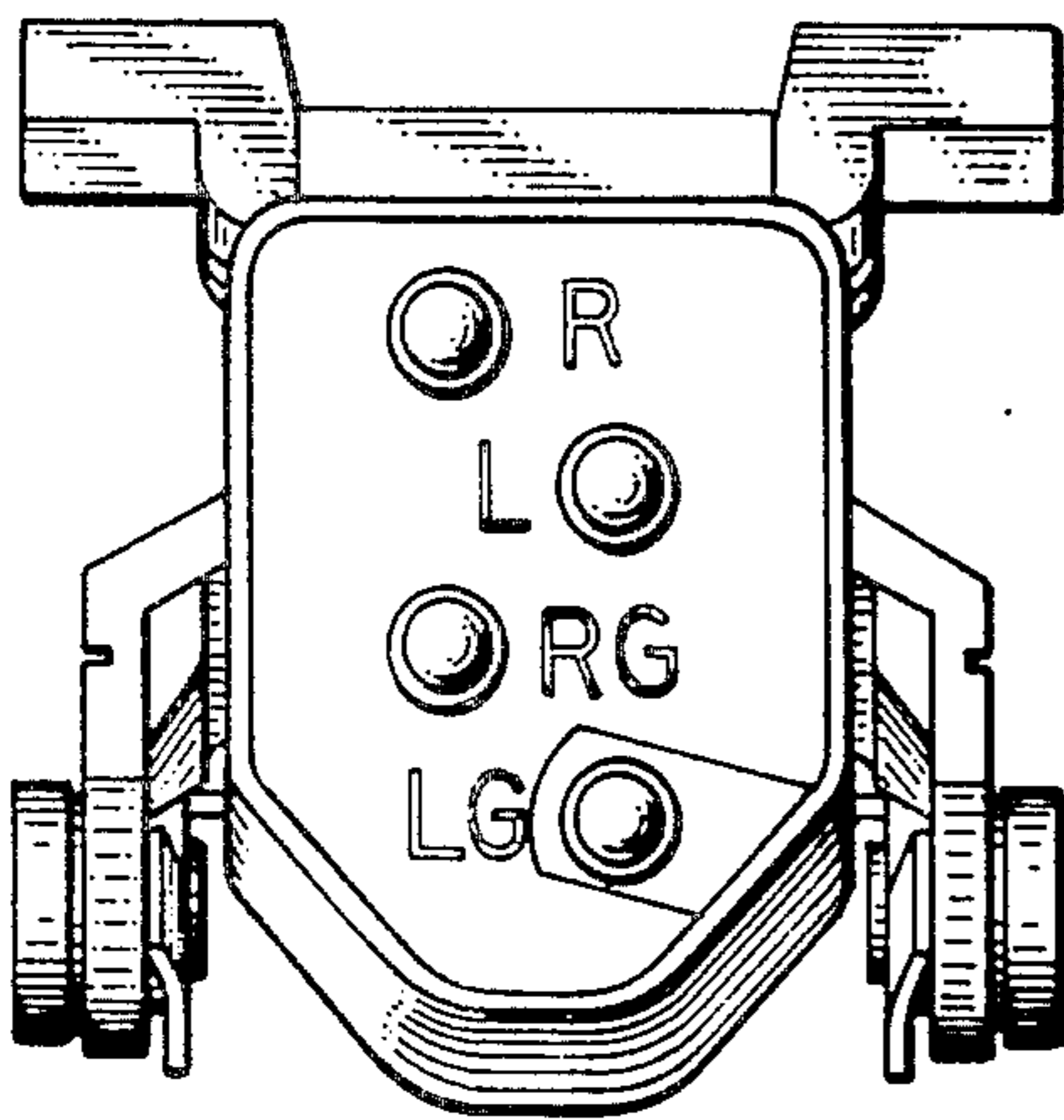
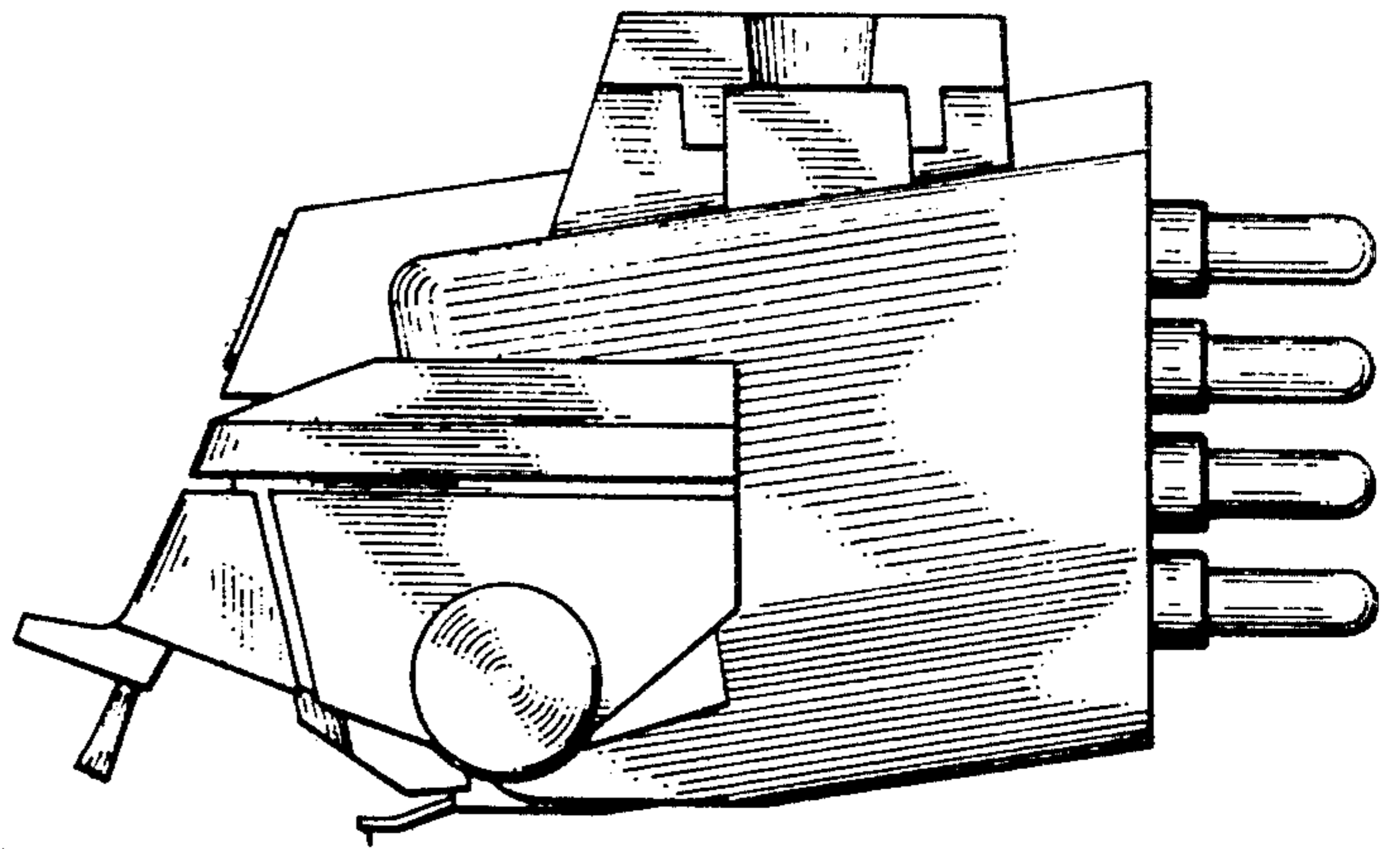


Fig. 4

Fig. 5

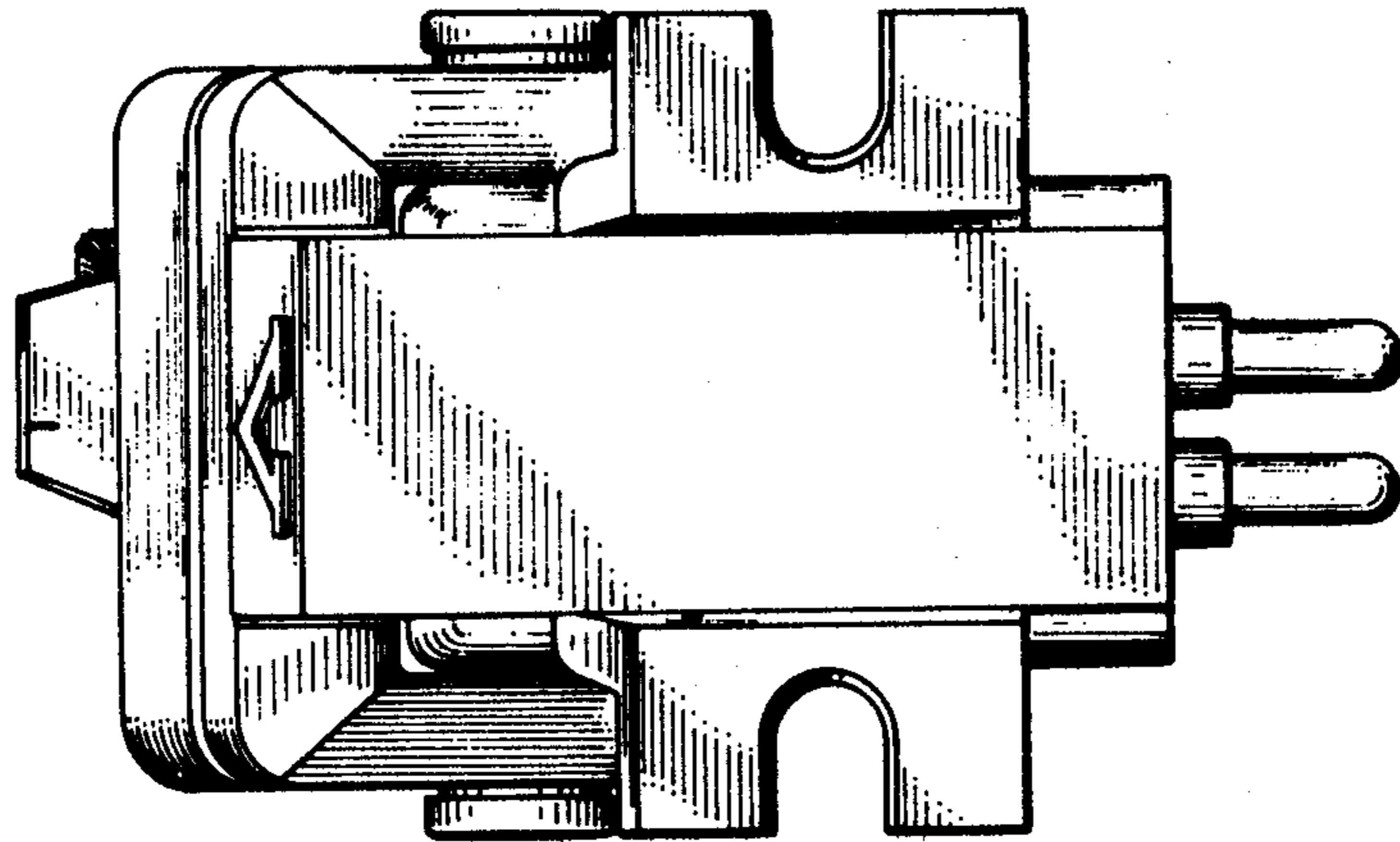


Fig. 6

