

[54] **PHONOGRAPH CARTRIDGE**

[75] **Inventors: John C. Jones, Chicago; Robert L. Deschamps, Bartlett, both of Ill.**

[73] **Assignee: Shure Brothers, Inc., Evanston, Ill.**

[\*\*] **Term: 14 Years**

[21] **Appl. No.: 344,814**

[22] **Filed: Jul. 24, 1984**

[52] **U.S. Cl. .... D14/28**

[58] **Field of Search ..... D14/28, 29; 369/170**

[56] **References Cited**

**U.S. PATENT DOCUMENTS**

4,320,492 3/1982 Dieter et al. .... 369/170

**OTHER PUBLICATIONS**

*Stereo Review* 5-81, p. 66, Shure M97HE-AH.

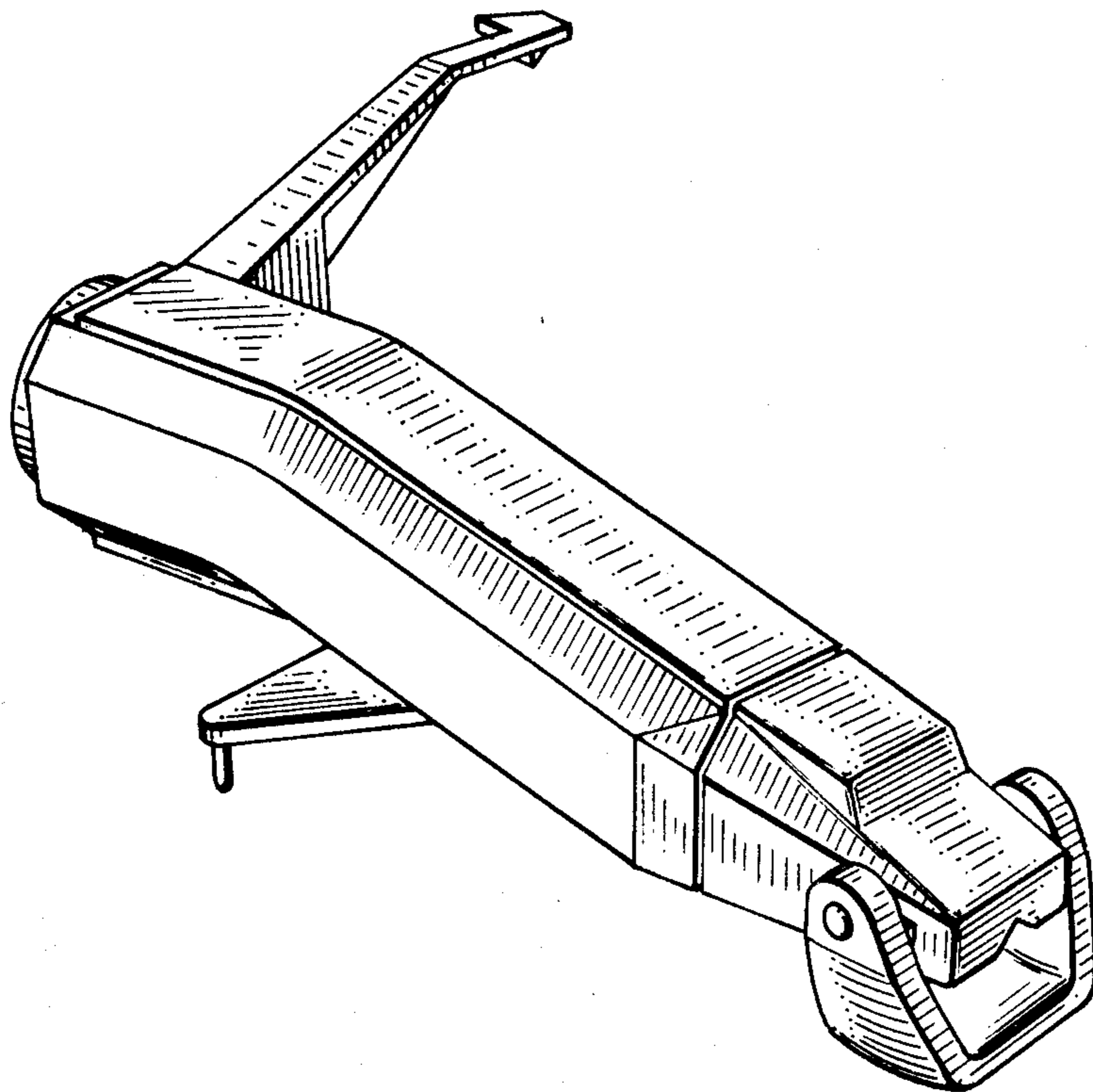
*Primary Examiner*—Jane E. Corrigan  
*Attorney, Agent, or Firm*—Allegretti, Newitt, Witcoff & McAndrews, Ltd.

[57] **CLAIM**

The ornamental design for the phonograph cartridge, as shown and described.

**DESCRIPTION**

FIG. 1 is a front, top and left side perspective view of a phonograph cartridge showing our new design; FIG. 2 is a left side elevational view; FIG. 3 is a front elevational view; FIG. 4 is a right side elevational view; FIG. 5 is a rear elevational view; FIG. 6 is a top plan view; and FIG. 7 is a bottom plan view thereof.



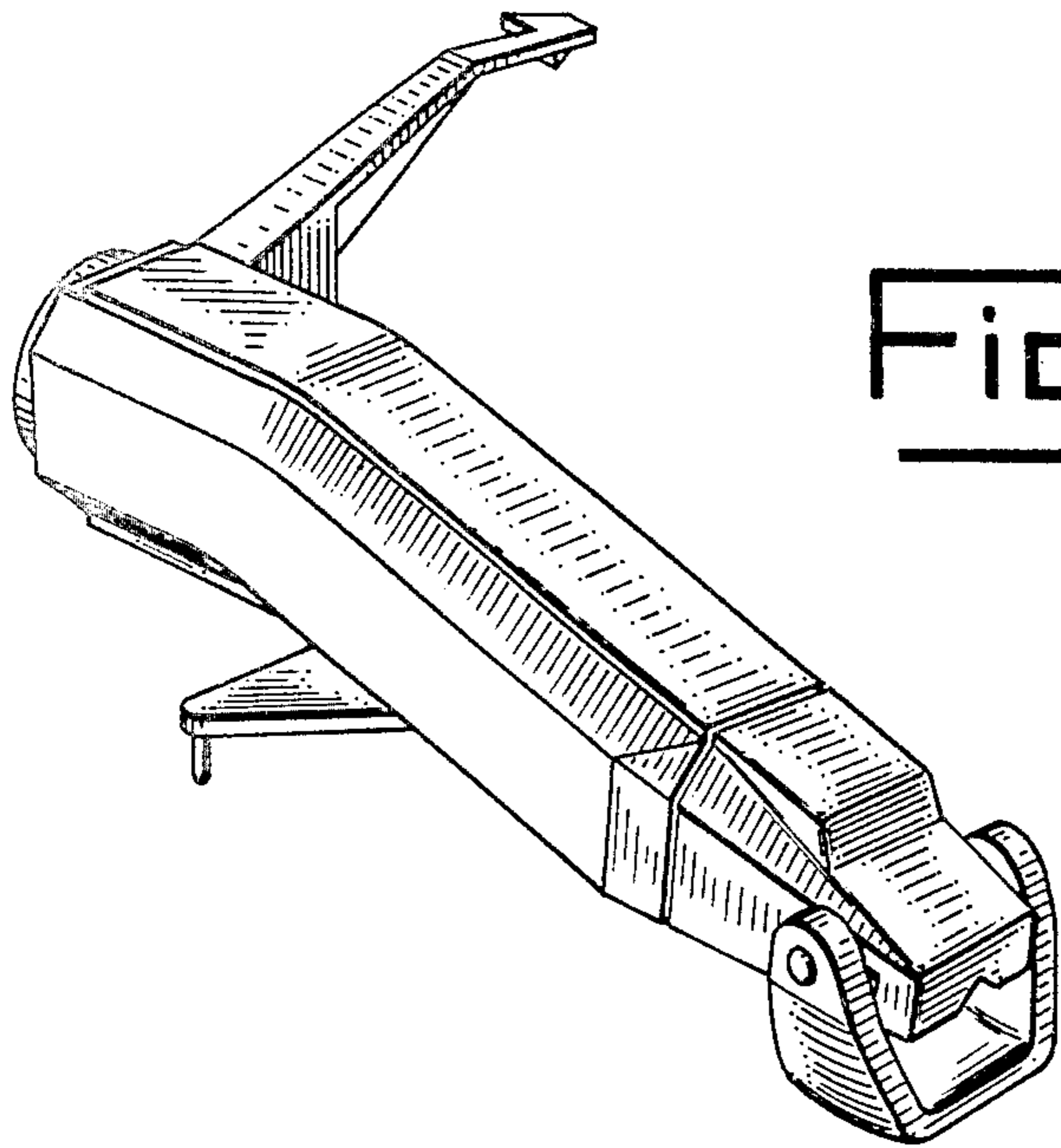


Fig. 1

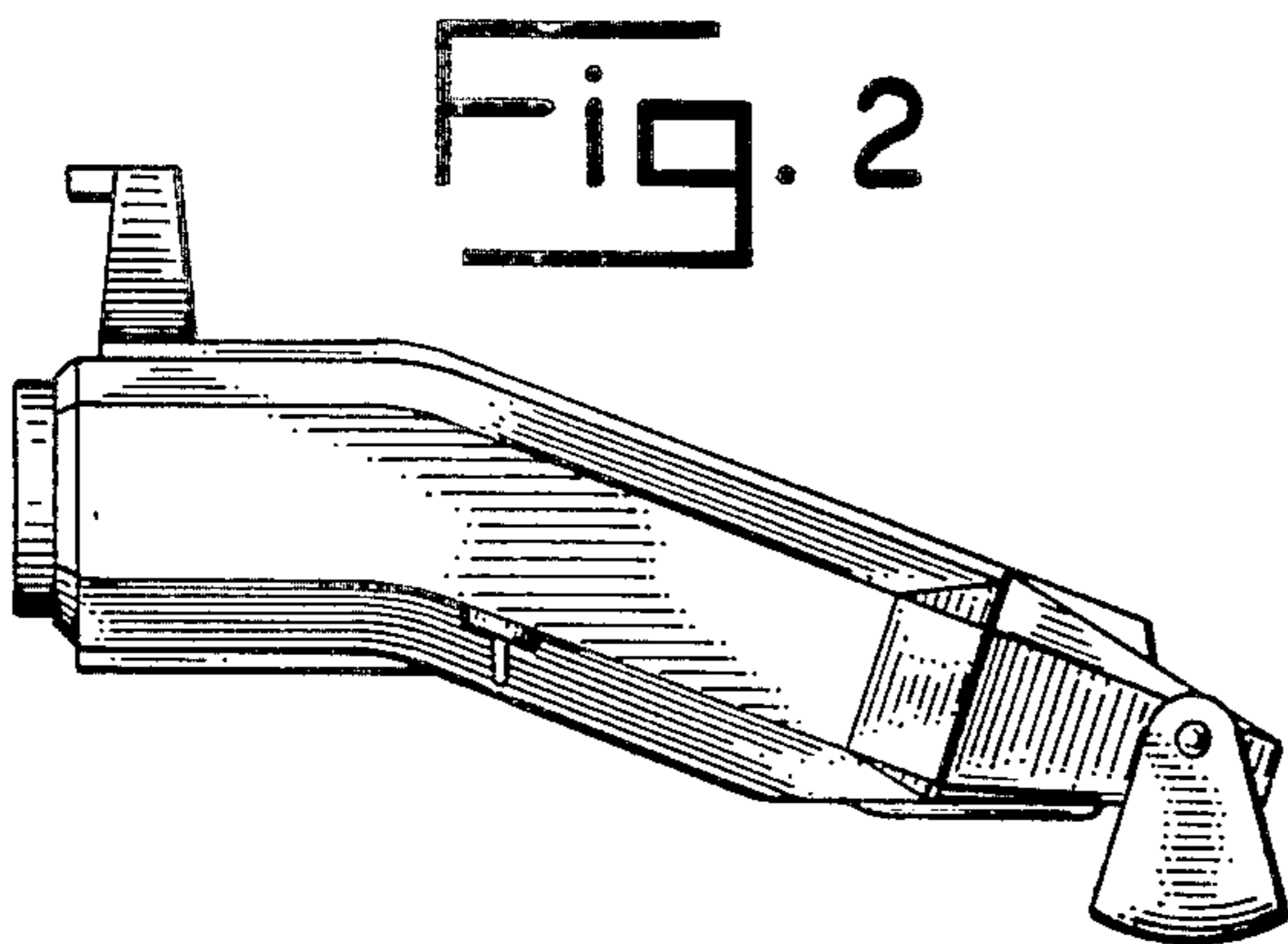


Fig. 2

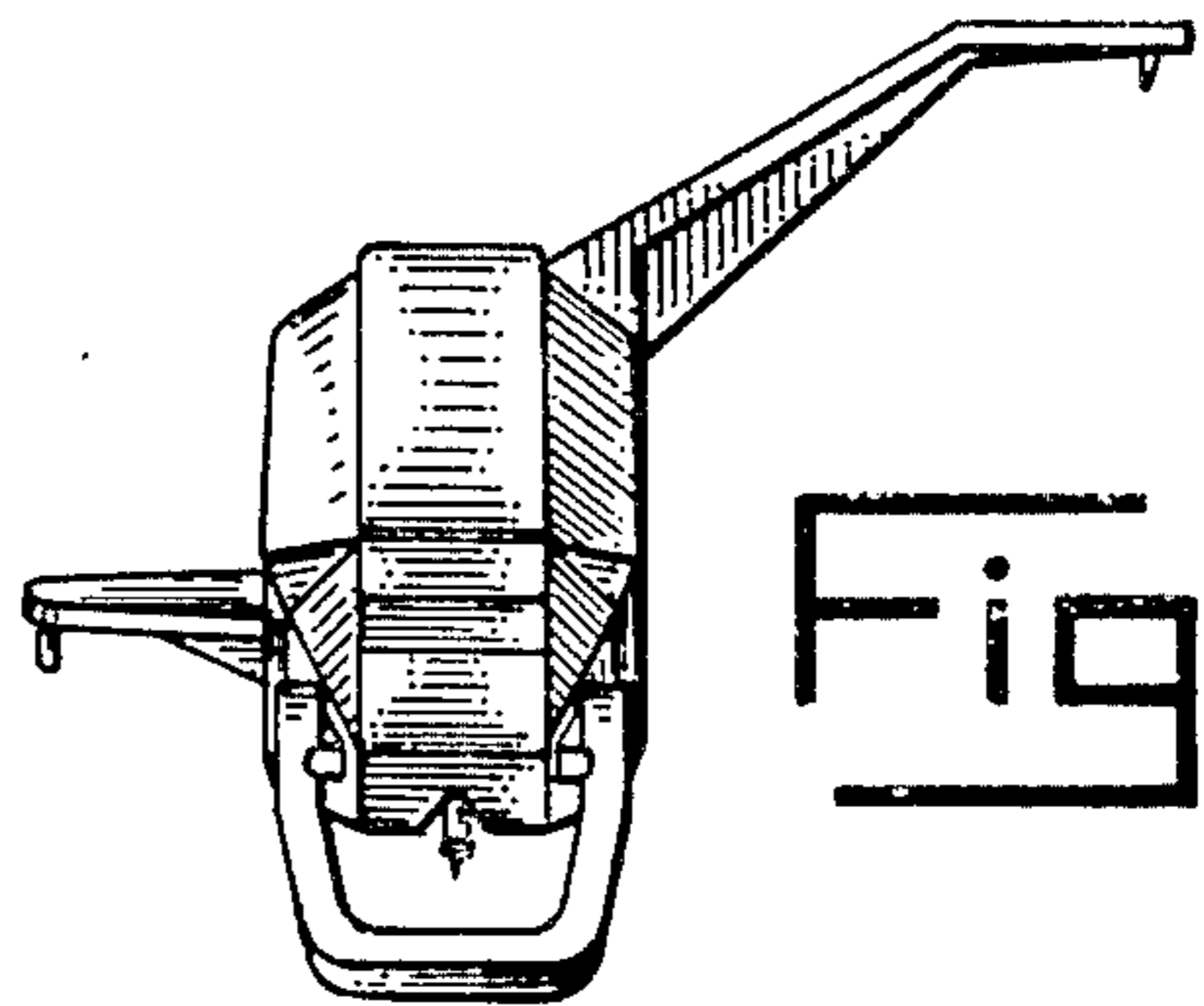


Fig. 3

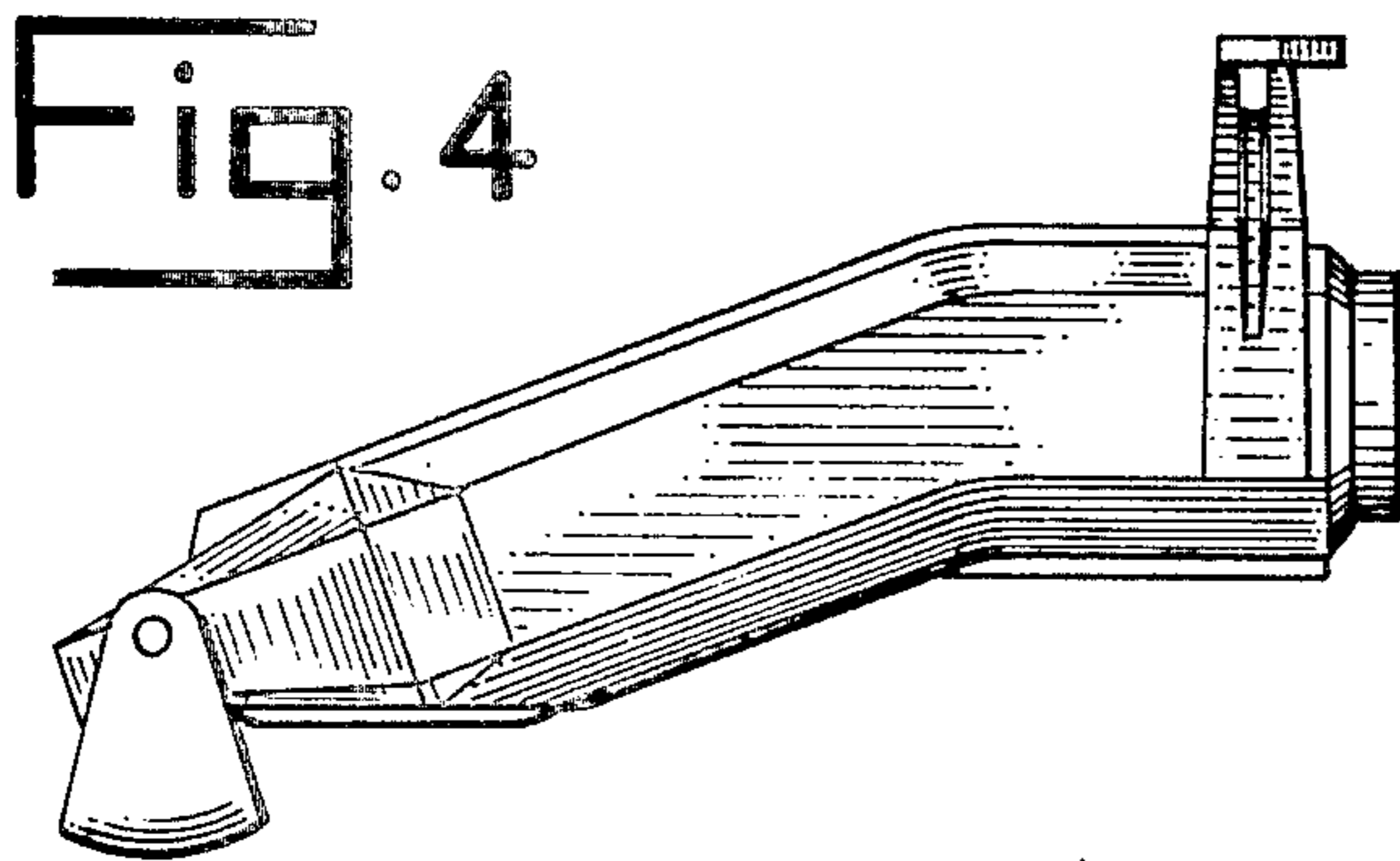


Fig. 4

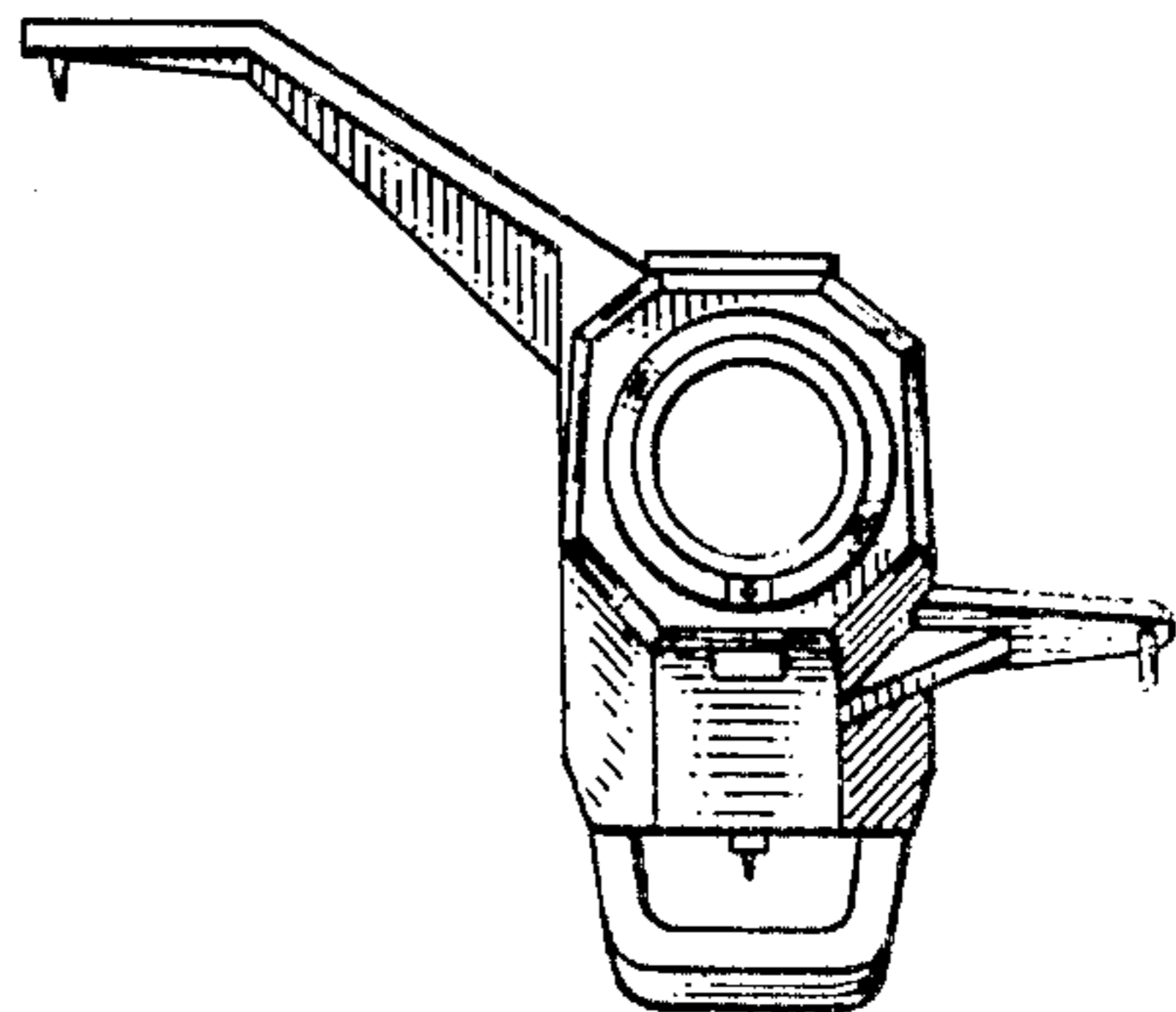


Fig. 5

Fig. 6

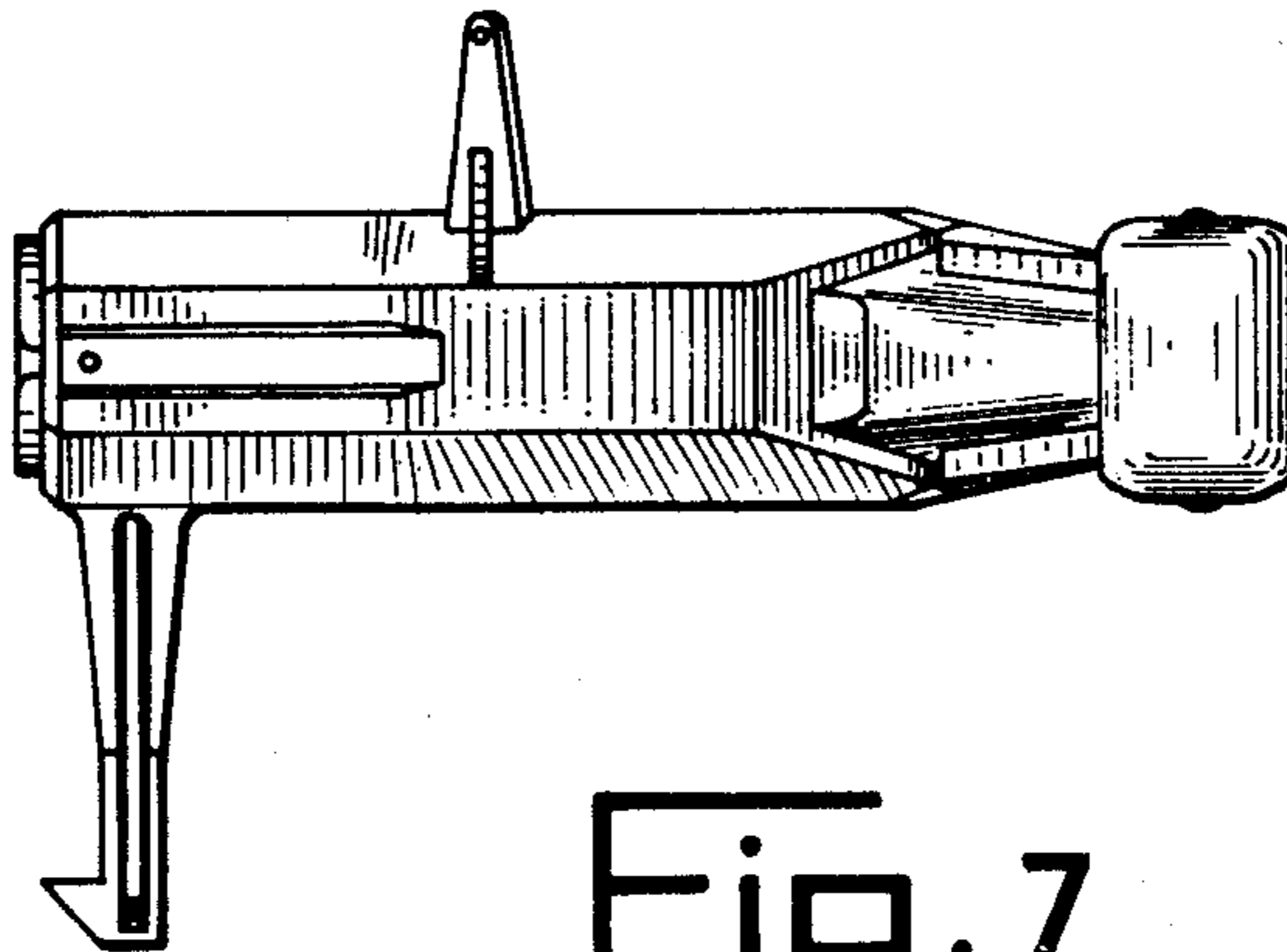
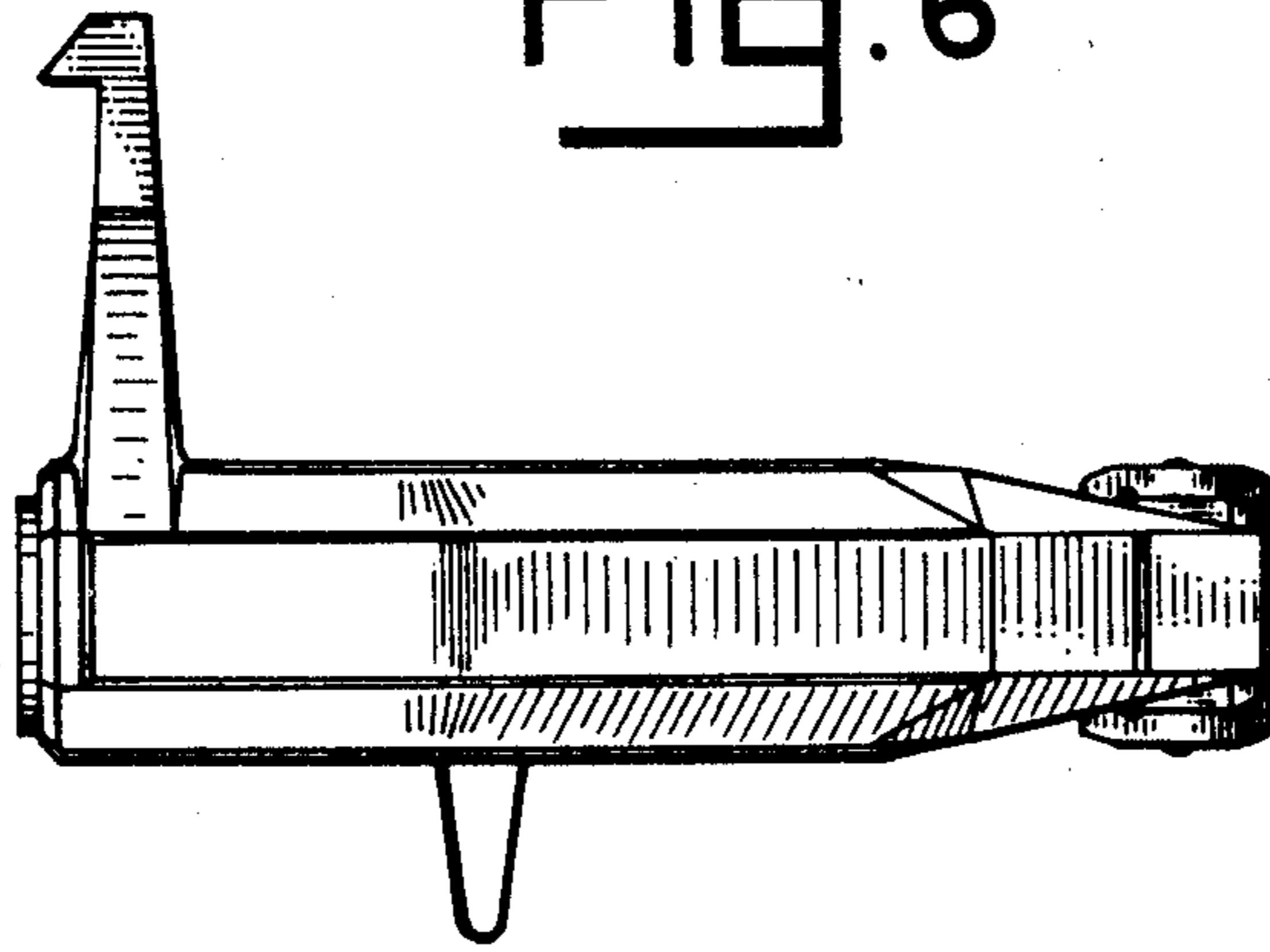


Fig. 7