

[54] CIRCUIT CARD SUPPORT

[75] Inventors: Isaac R. Revah, Thornhill; Jozsef Kelemen; Earnest C. Leung, both of Ottawa, all of Canada

[73] Assignee: Northern Telecom Limited, Montreal, Canada

[**] Term: 14 Years

[21] Appl. No.: 256,150

[22] Filed: Apr. 21, 1981

[52] U.S. Cl. D13/40

[58] Field of Search 339/17 LM, 17 M, 65; 361/390, 391, 392, 395, 399, 403, 412, 415; 211/41; D13/12, 40, 41

[56] References Cited

U.S. PATENT DOCUMENTS

3,184,069 5/1965 Rosenberg 211/41
3,470,420 9/1969 Marks 361/41 S

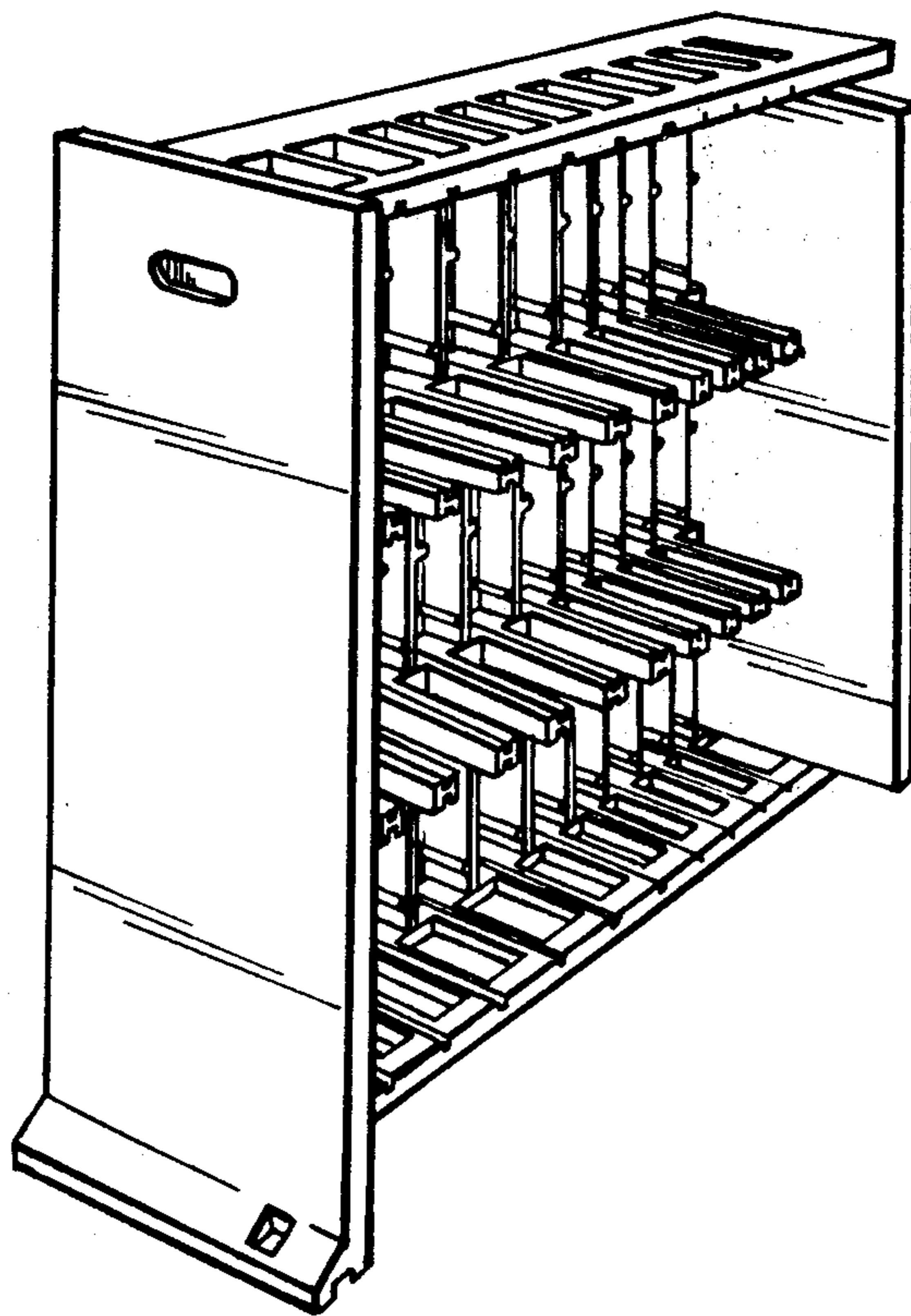
Primary Examiner—Susan J. Lucas
Attorney, Agent, or Firm—Stuart L. Wilkinson

[57] CLAIM

The ornamental design for a circuit card support, substantially as shown and described.

DESCRIPTION

FIG. 1 is a perspective view from the front and one side showing a new design;
FIG. 2 is an opposite side elevational view thereof on an enlarged scale;
FIG. 3 is a front elevational view thereof on an enlarged scale;
FIG. 4 is a rear elevational view thereof on an enlarged scale;
FIG. 5 is a top plan view thereof on an enlarged scale; and
FIG. 6 is a bottom plan view thereof on an enlarged scale;
FIG. 7 is a fragmentary perspective view from the back and side shown in FIG. 2.
The interior card guide structure is partially shown in FIGS. 3, 4 and 7 for convenience of illustration. The slots in the top of the support are partially shown in FIG. 7 for convenience of illustration.



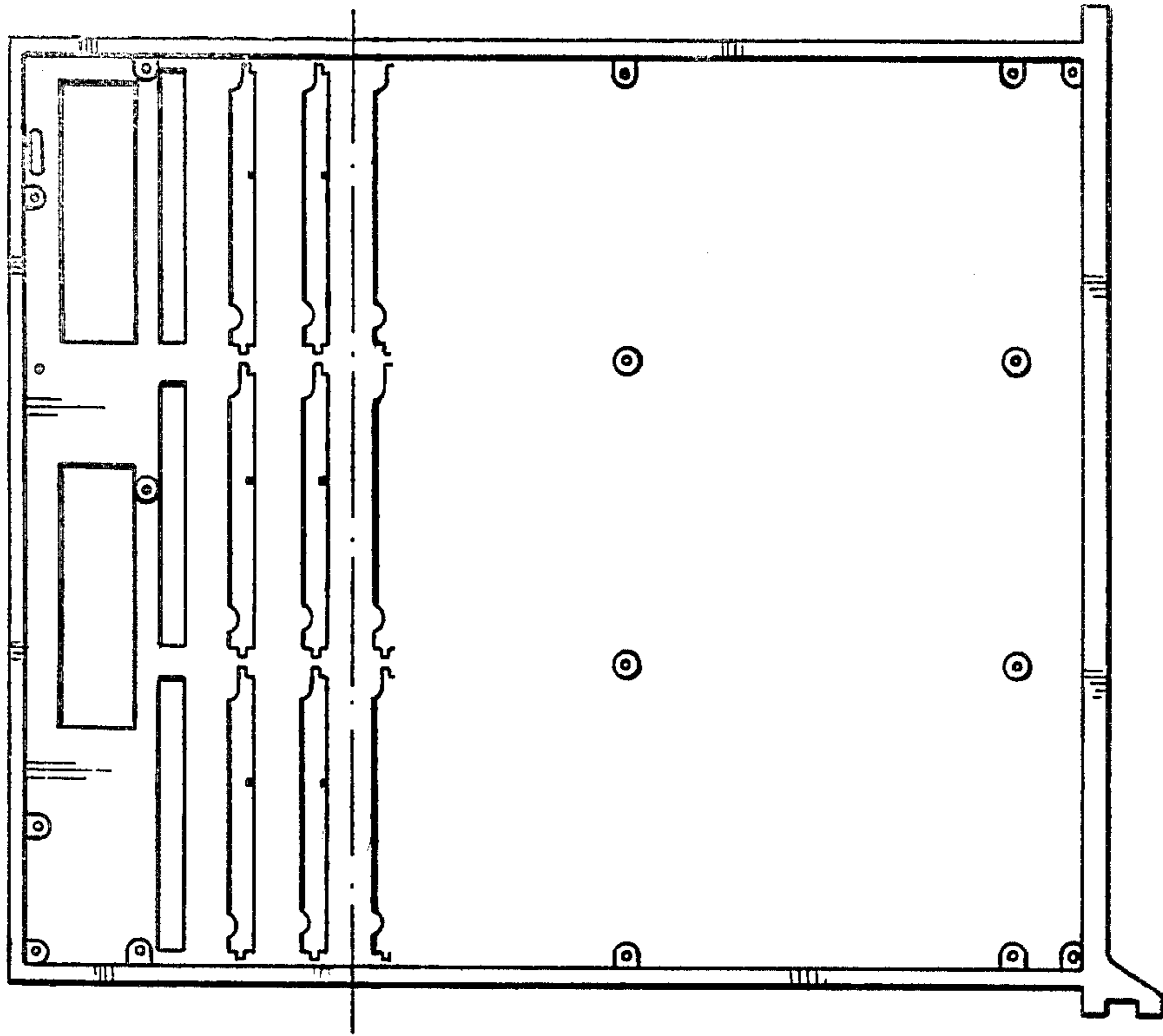


FIG. 4

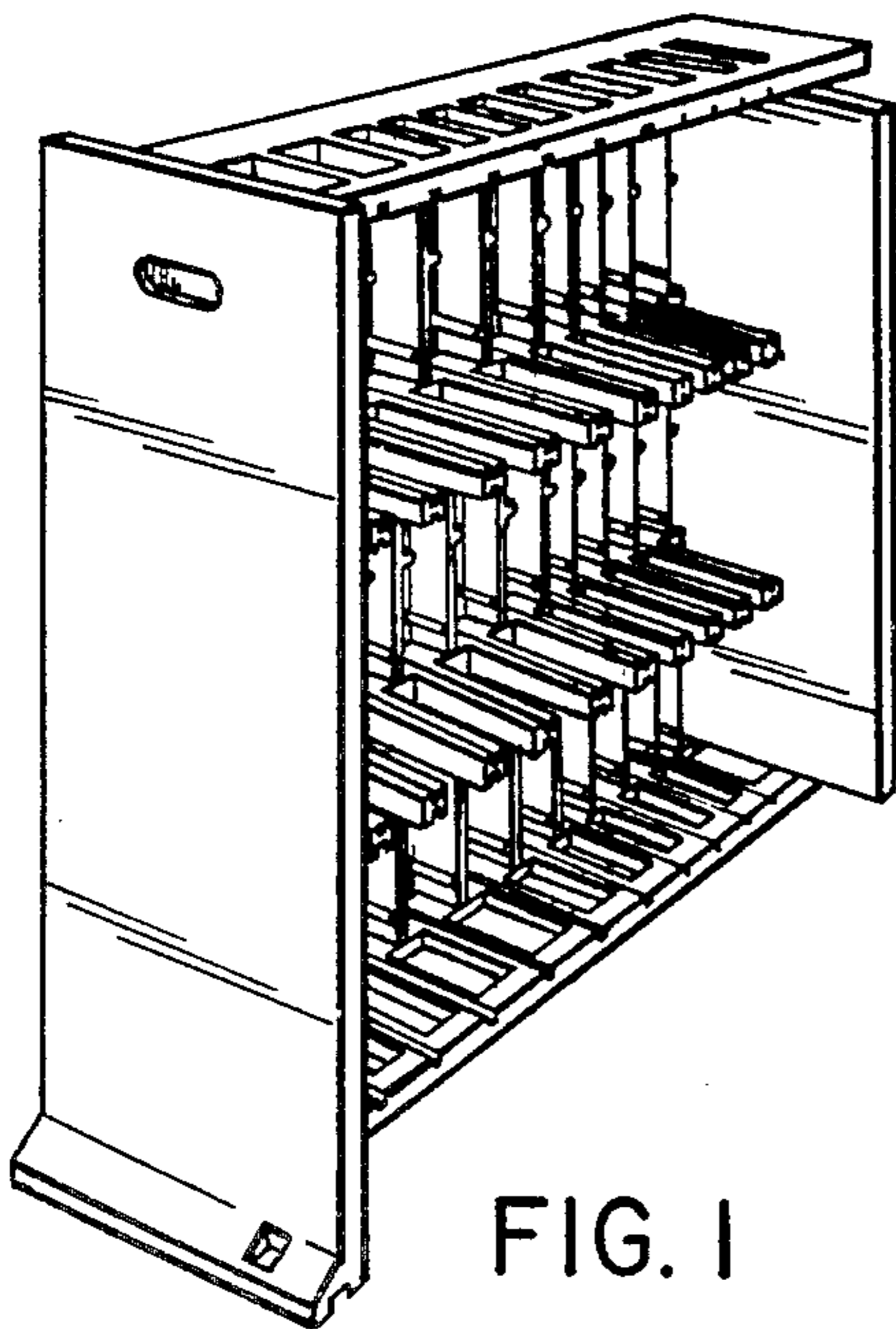


FIG. 1

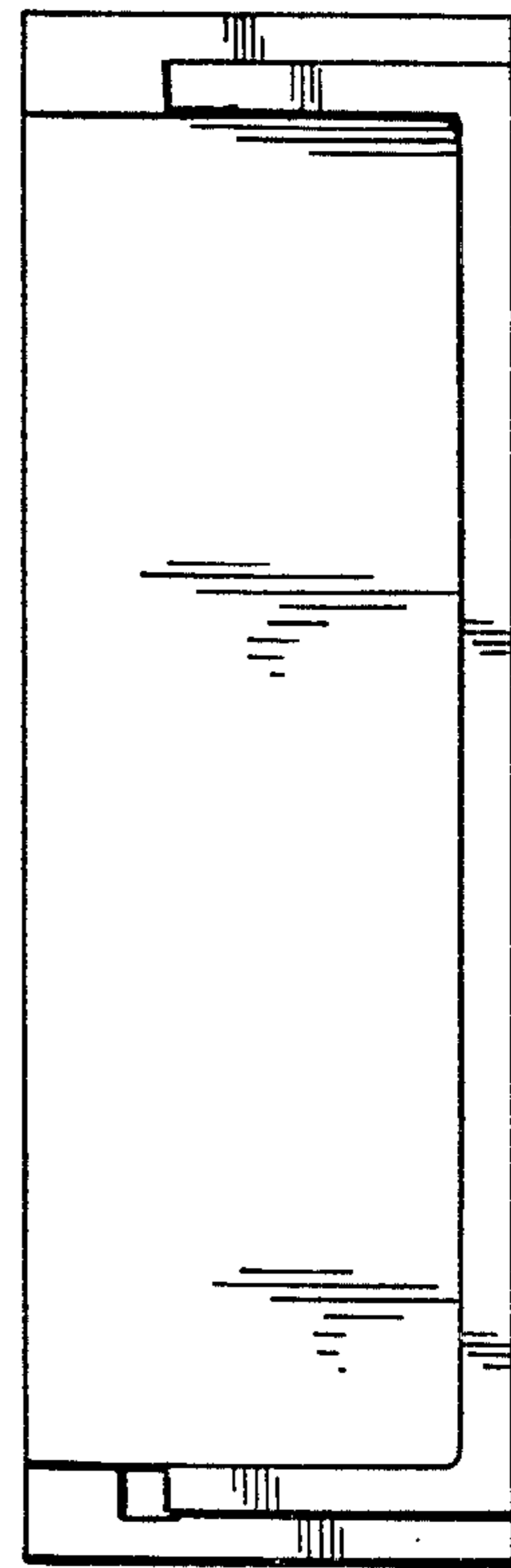


FIG. 2

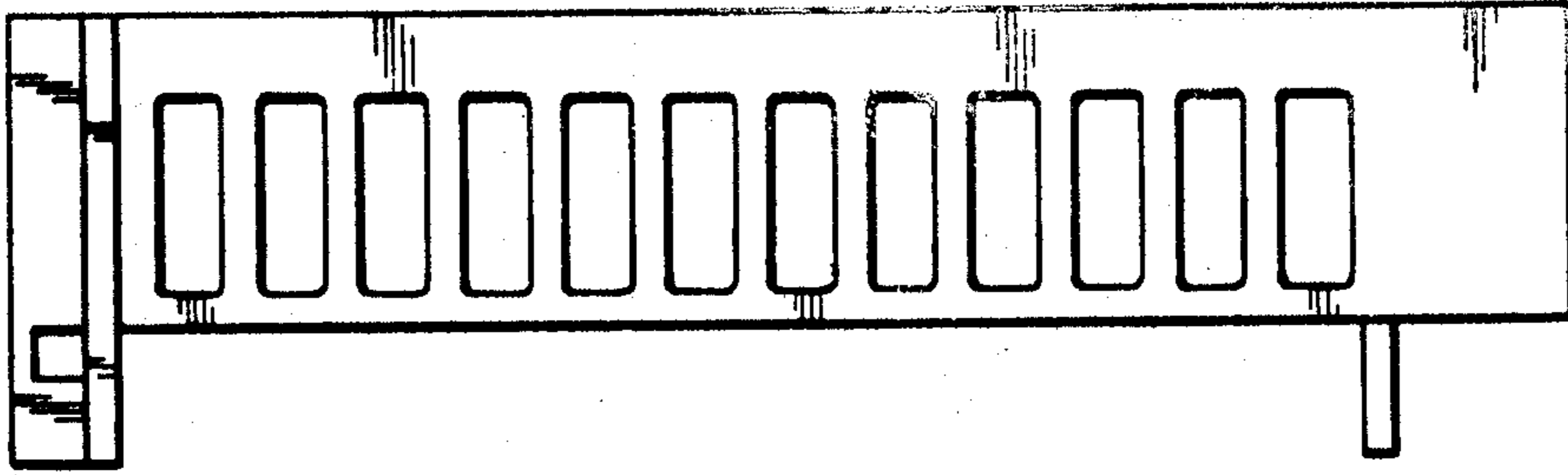


FIG. 5

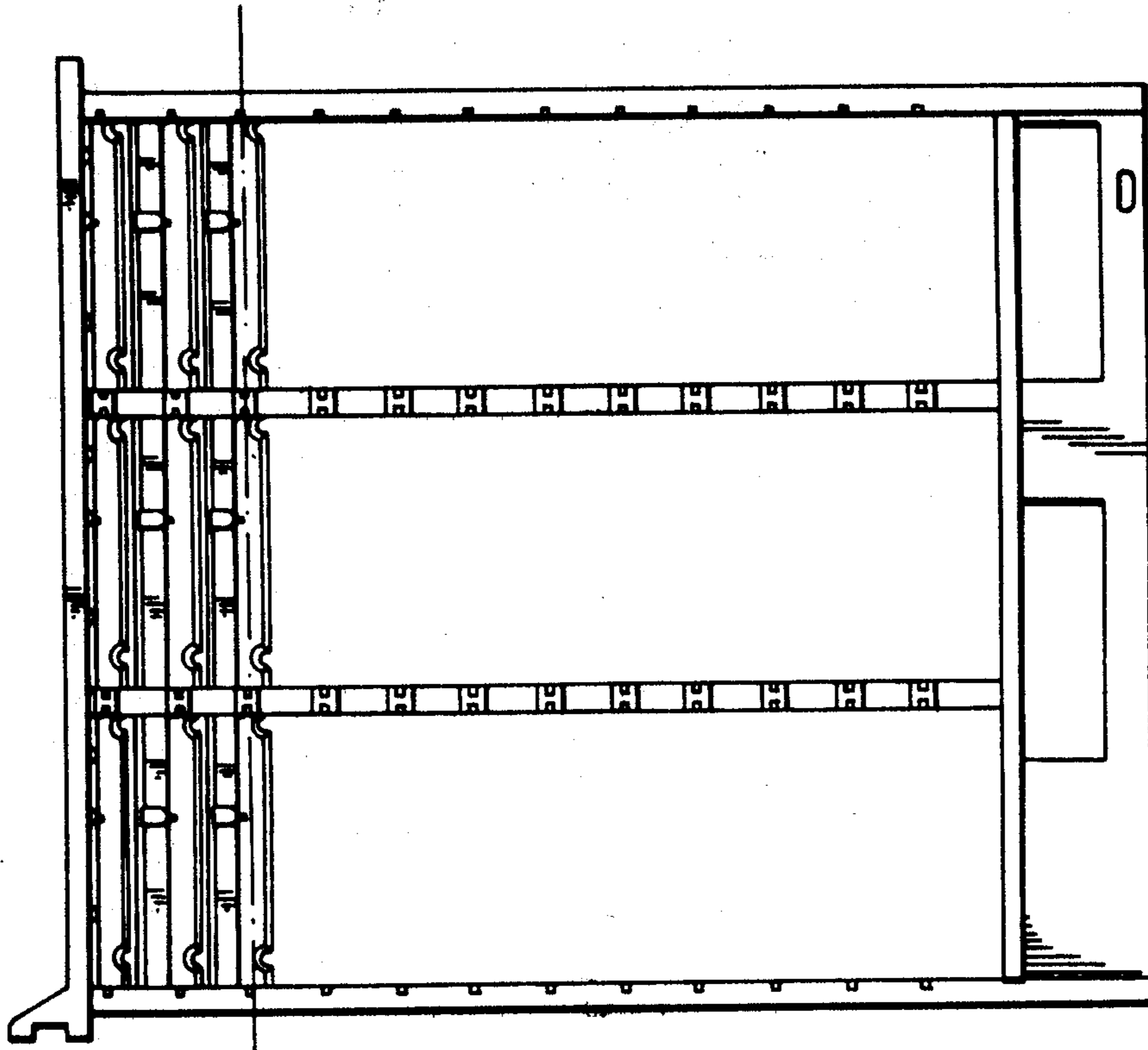


FIG. 3

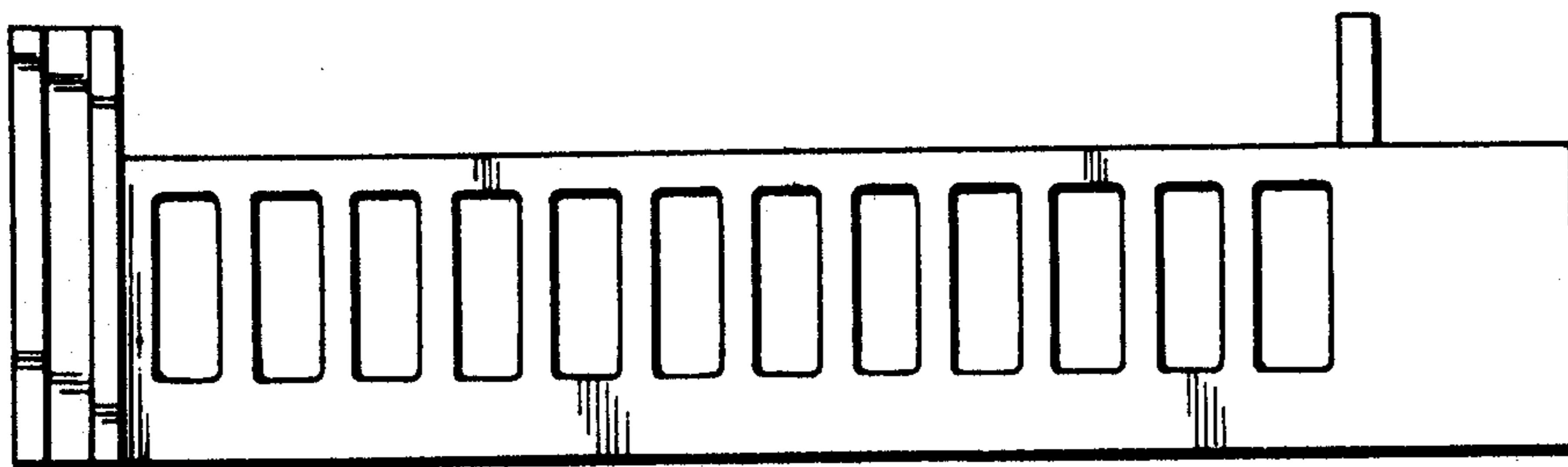


FIG. 6

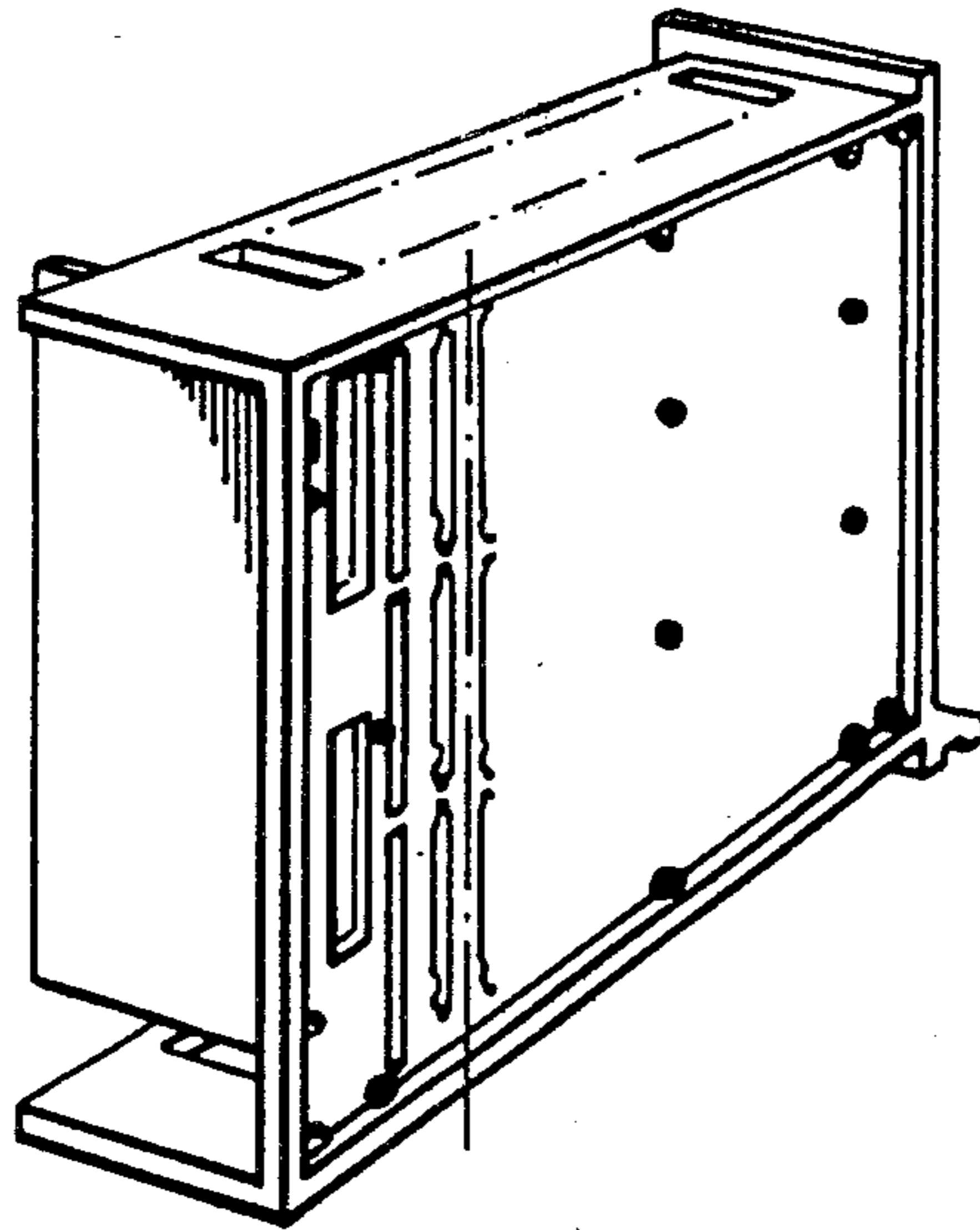


FIG. 7