

[54] COMBINED VEHICLE LICENSE PLATE
FRAME AND REVERSE WARNING ALARM

1,652,664 12/1927 Frasier 40/204
1,887,087 11/1932 Frizner D12/193

[75] Inventors: Benjamin H. Stansbury, Jr., Beverly Hills; Thomas W. Fleming, Van Nuys, both of Calif.

Primary Examiner—James M. Gandy
Attorney, Agent, or Firm—Roy A. Ekstrand; Ron M. Goldman; James G. O'Neill

[73] Assignee: Mattel, Inc., Hawthorne, Calif.

[57] CLAIM

[**] Term: 14 Years

The ornamental design for a combined vehicle license plate frame and reverse warning alarm, as shown and described.

[21] Appl. No.: 345,188

DESCRIPTION

[22] Filed: Feb. 2, 1982

[52] U.S. Cl. D12/193; D10/116

[58] Field of Search D12/193; D10/116;
40/200, 204; 116/28 R; 340/60, 52 H, 99

FIG. 1 is a perspective view of the combined vehicle license plate frame and reverse warning alarm showing our new design;

FIG. 2 is a front elevation view thereof;

FIG. 3 is a bottom plan view thereof;

FIG. 4 is a top plan view thereof;

FIG. 5 is a rear elevation view thereof;

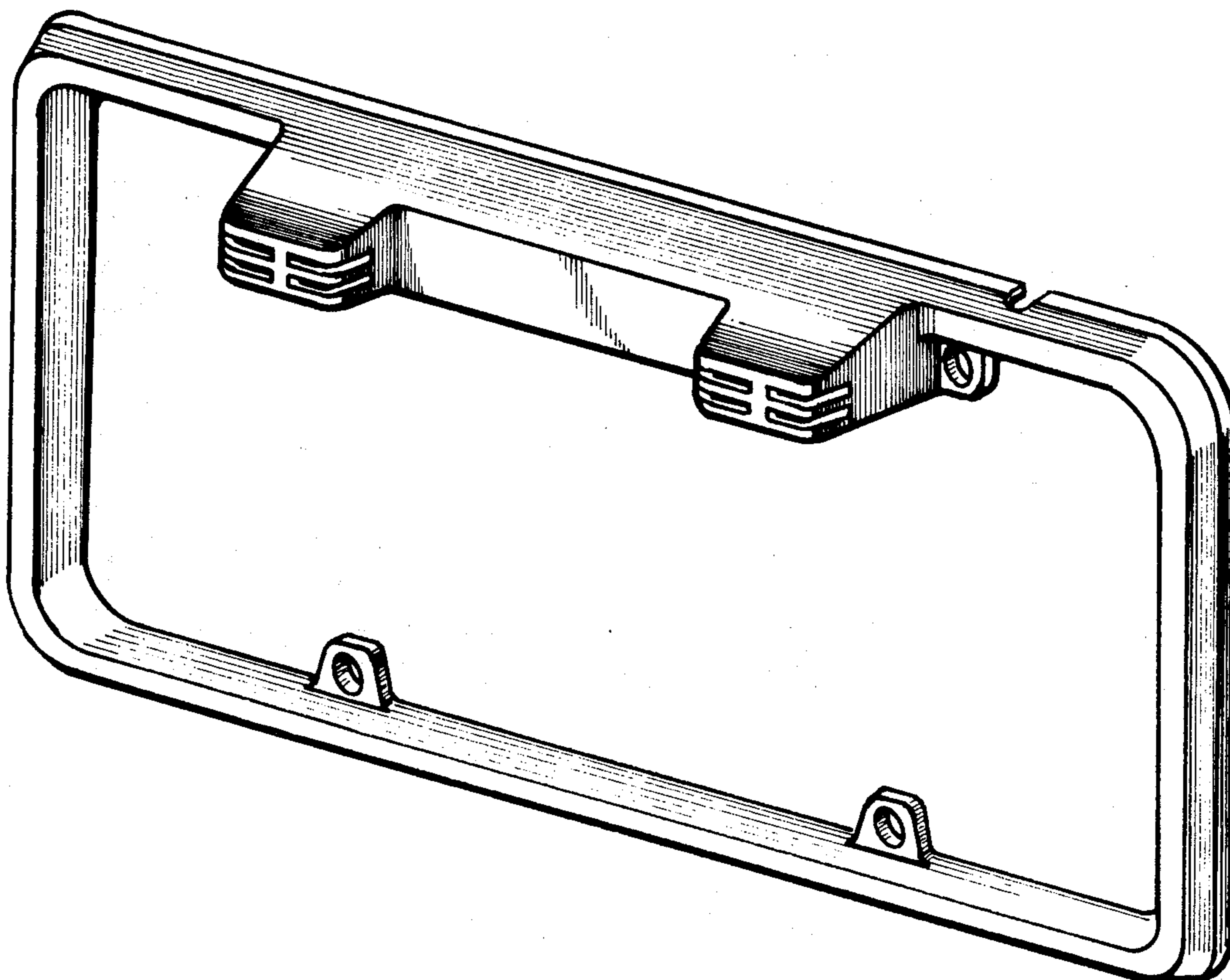
FIG. 6 is a left-side elevation view thereof; and

FIG. 7 is a right-side elevation view thereof.

[56] References Cited

U.S. PATENT DOCUMENTS

D. 164,008 7/1951 Loyd D12/193
D. 238,258 12/1975 Duris D10/116



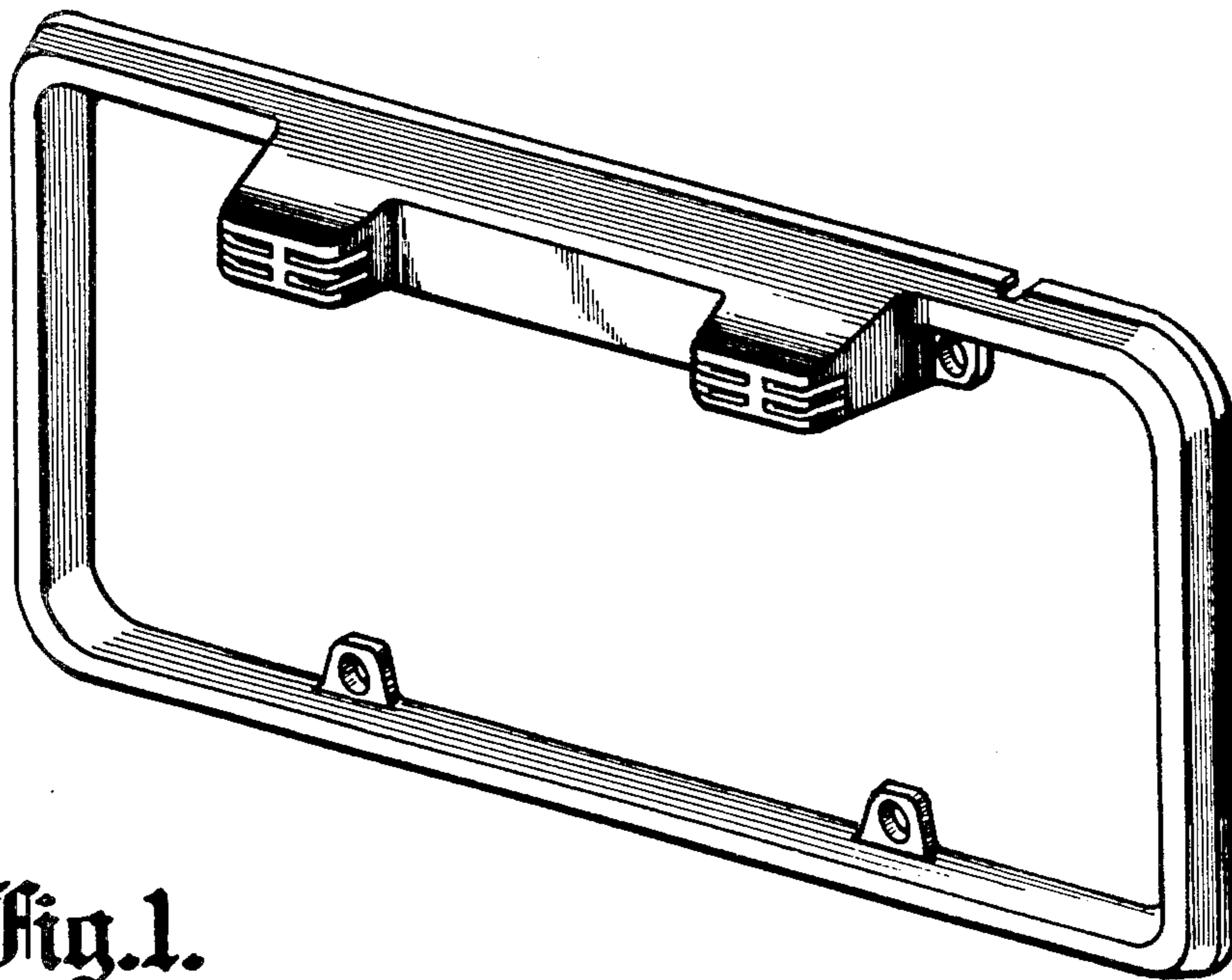


Fig. 1.

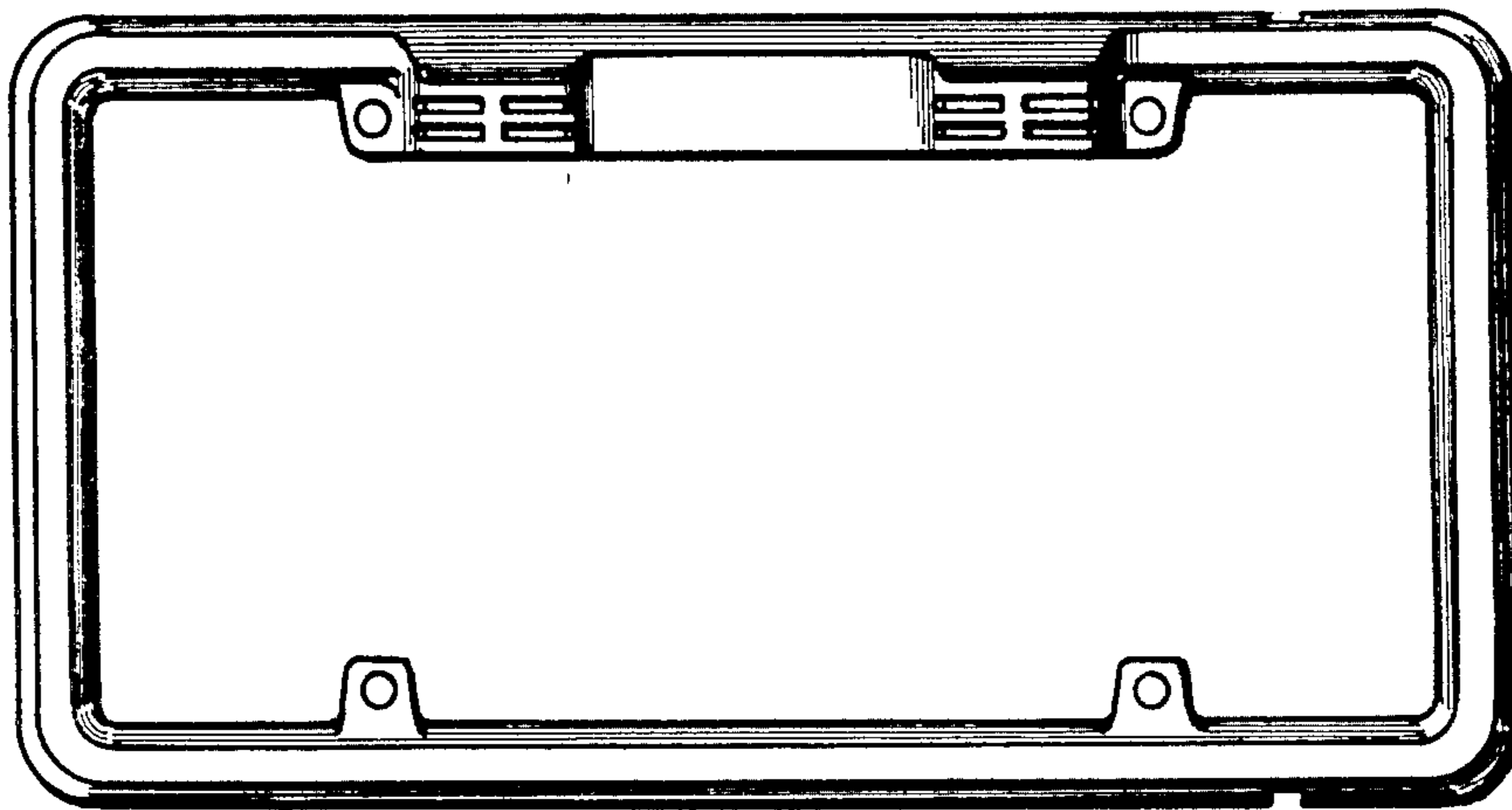


Fig. 2.

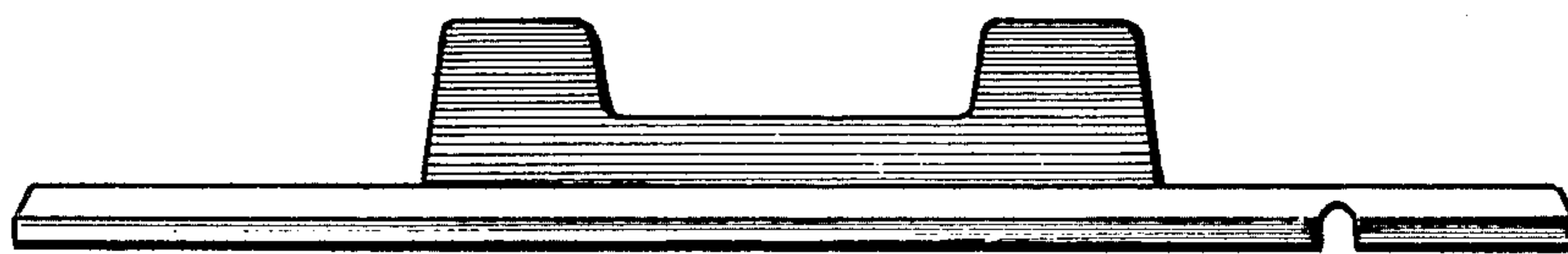


Fig. 3.

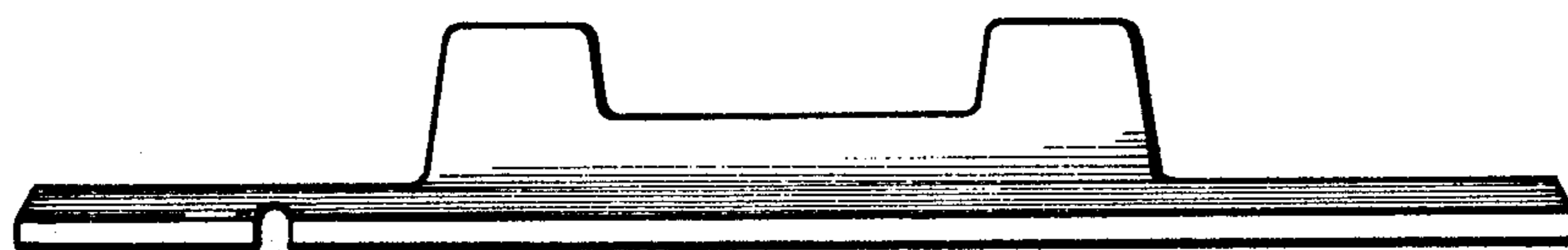


Fig. 4.

Fig. 5.

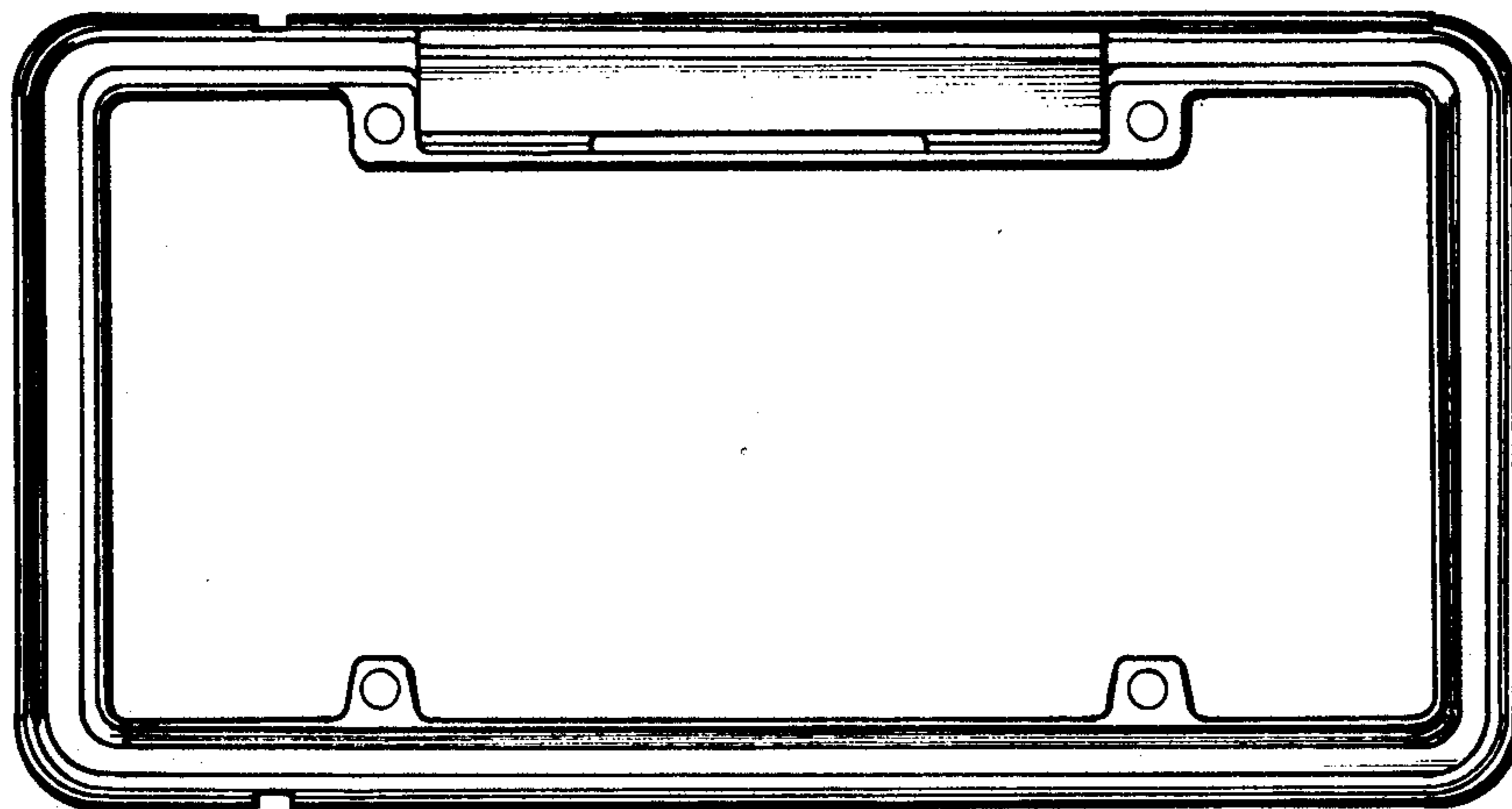


Fig. 6.

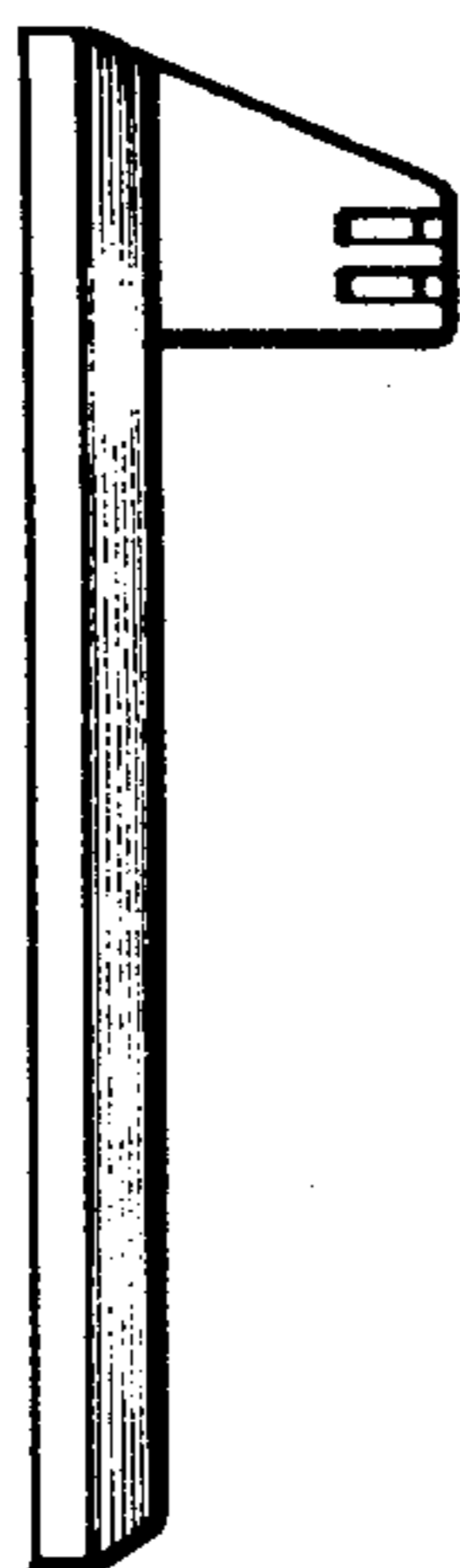


Fig. 7.

