

[54] DEMOUNTABLE CONTAINER

[75] Inventors: Robin E. Fossey, Redhills; Ian P. J. McKenna, Dundalk, both of Ireland

[73] Assignee: Container Engineering (Ireland) Limited, Ireland

[**] Term: 14 Years

[21] Appl. No.: 304,598

[22] Filed: Sep. 22, 1981

[30] Foreign Application Priority Data

Apr. 7, 1981 [IE] Ireland 60/81

[52] U.S. Cl. D12/97; D12/95

[58] Field of Search D12/97, 96, 95; 296/181, 183; 220/1.5

[56] References Cited

U.S. PATENT DOCUMENTS

D. 257,766 1/1981 Smith D12/15
4,214,669 7/1980 McQuiston 220/1.5

OTHER PUBLICATIONS

Automotive News, 5/2/60, p. 43, Medium Duty Dump Body, third body down from top left side of page.

Primary Examiner—James M. Gandy
Attorney, Agent, or Firm—Scully, Scott, Murphy & Presser

[57] CLAIM

The ornamental design for a demountable container, as shown and described.

DESCRIPTION

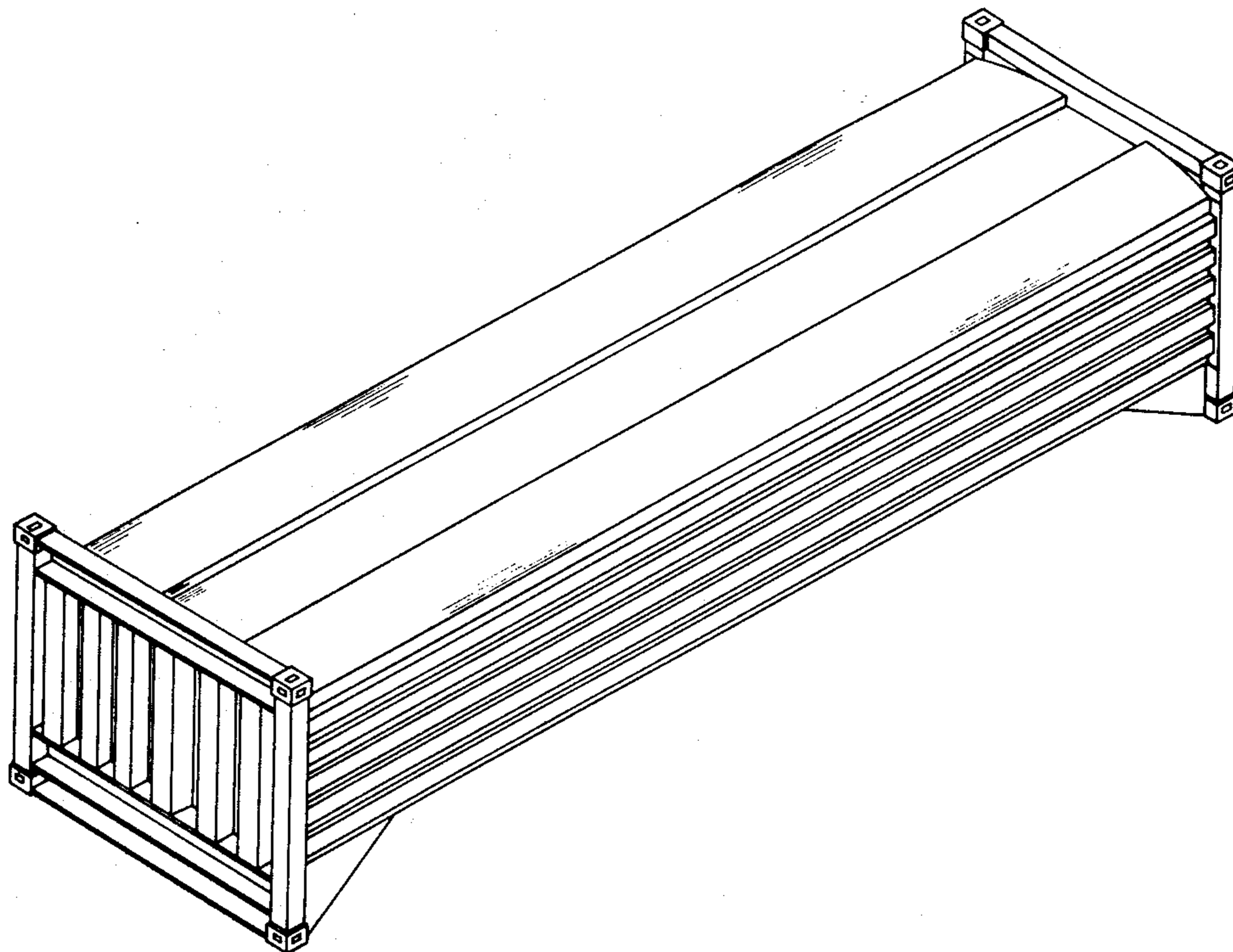
FIG. 1 is a perspective view of a demountable container showing our new design;

FIG. 2 is a side elevational view thereof on a reduced scale, the opposite side being a mirror image of that shown;

FIG. 3 is a top plan view of FIG. 2;

FIG. 4 is an end elevational view of FIG. 2, the opposite end being a mirror image of that shown; and

FIG. 5 is a sectional view taken along line 5—5 in FIG. 2.



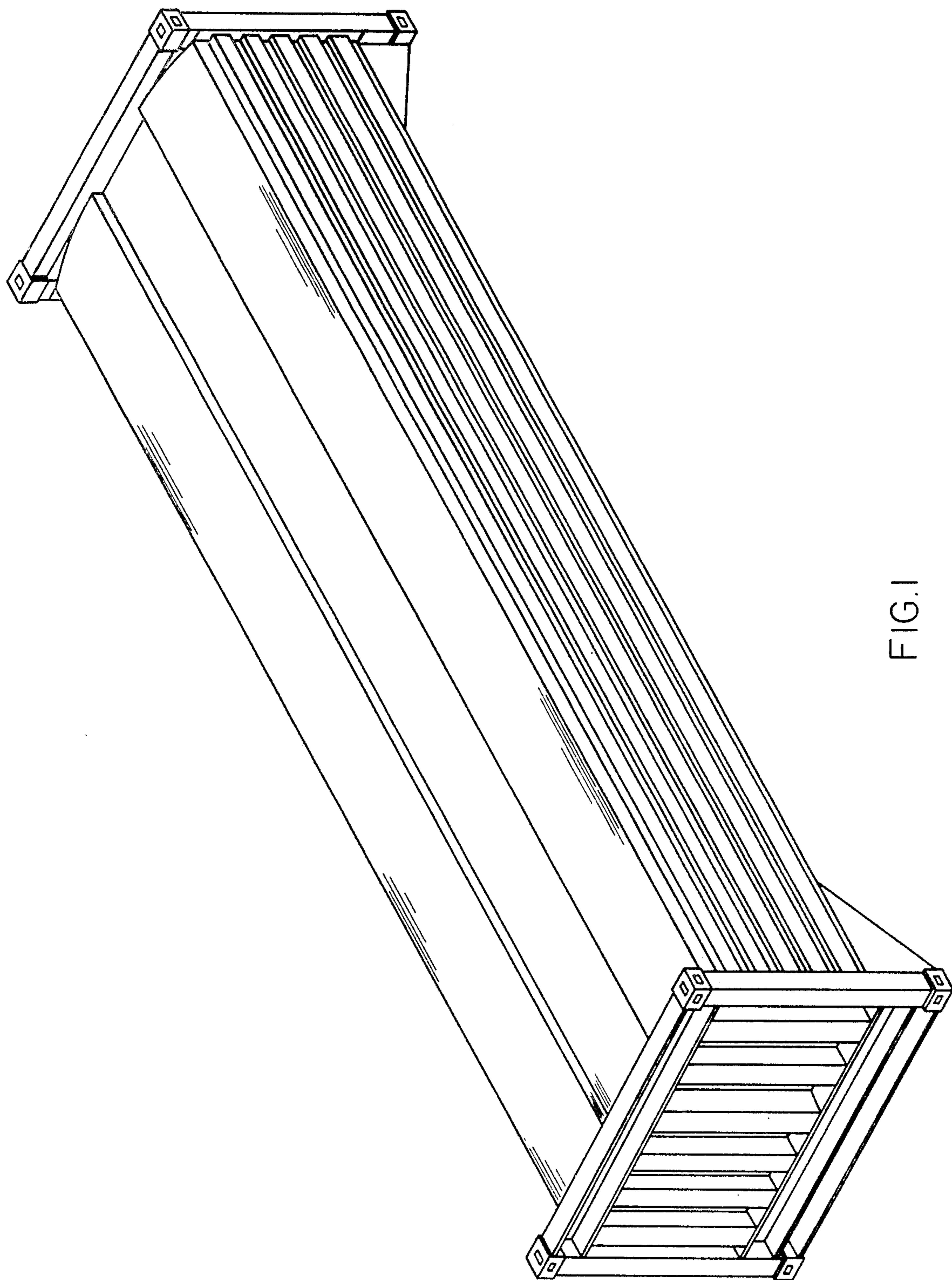


FIG.1

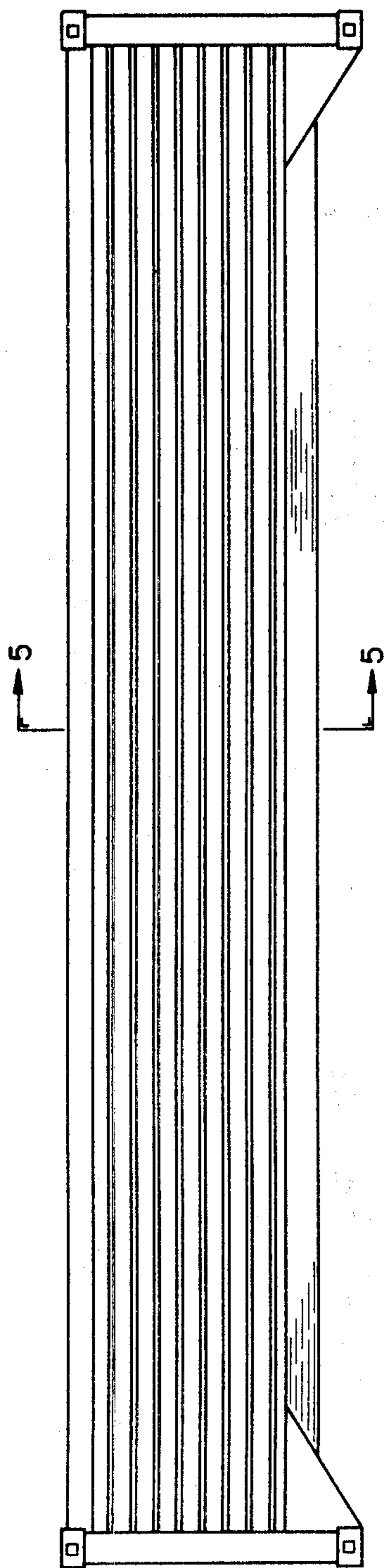


FIG. 2

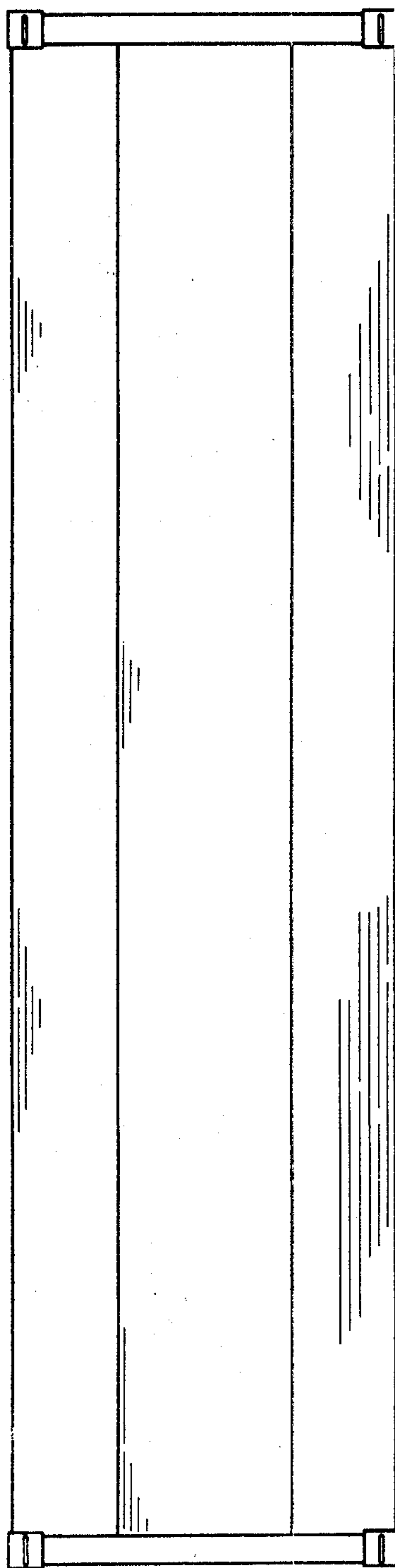


FIG. 3

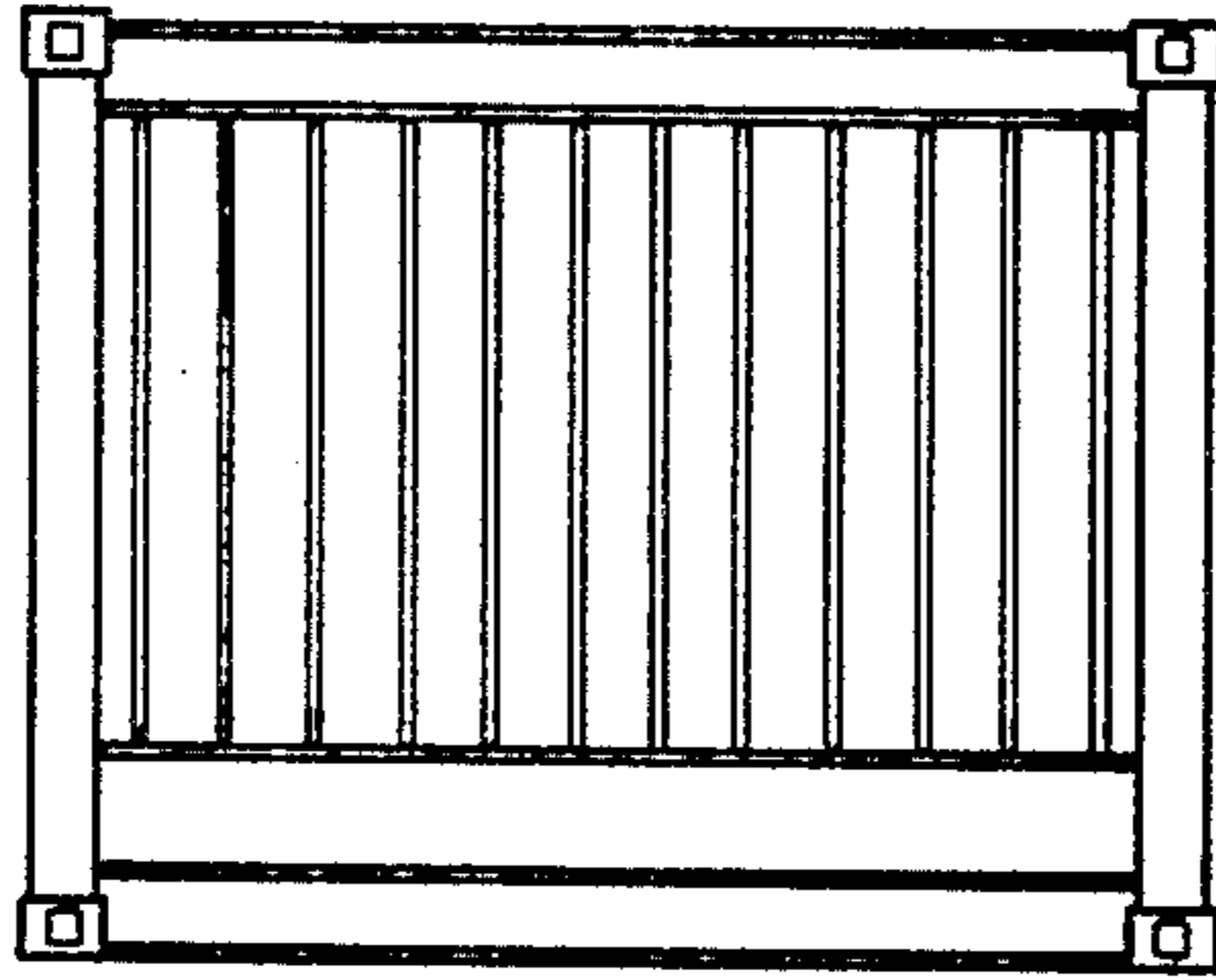


FIG. 4

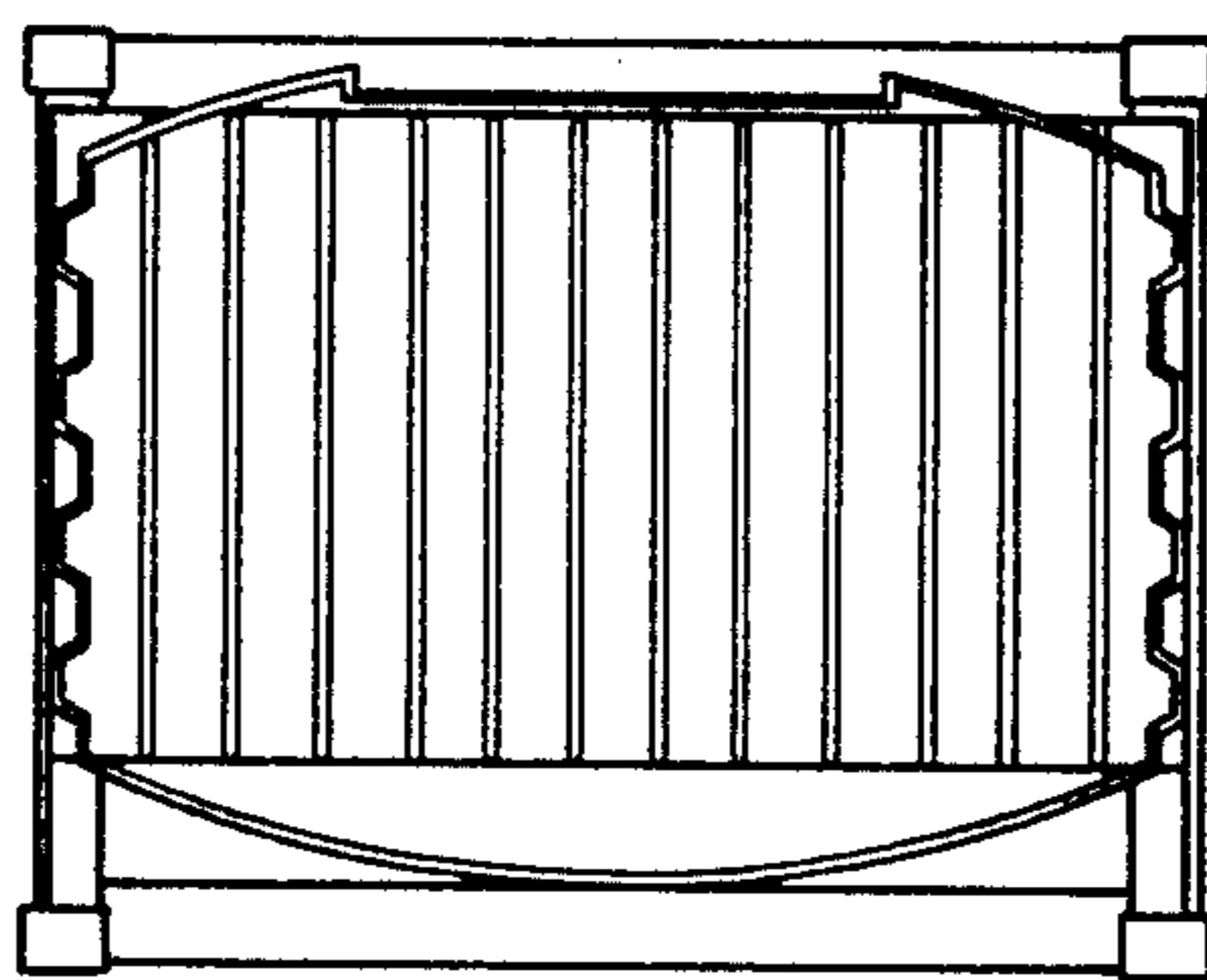


FIG. 5