

[54] COMBINED VALVE ACTUATOR AND DISPENSING CAP FOR A PRESSURIZED CONTAINER

2,887,272 5/1959 Rosenthal 239/310
3,159,319 12/1964 Parish D9/448

[75] Inventor: Paul A. Witte, New Hope, Pa.

[73] Assignee: Falcon Safety Products, Inc.,
Mountainside, N.J.

[**] Term: 14 Years

[21] Appl. No.: 320,749

[22] Filed: Nov. 12, 1981

[52] U.S. Cl. D9/448; D23/17

[58] Field of Search D9/448, 300, 447, 443;
D23/17, 18; 222/380-385, 23, 182; 239/318,
333, 346, 526, 310

[56] References Cited

U.S. PATENT DOCUMENTS

- D. 216,952 3/1970 Trupp et al. D9/448
- D. 216,975 3/1970 Stevenson D23/18
- D. 225,619 12/1972 Bruce et al. D9/448
- D. 251,382 3/1979 Reed D23/18

OTHER PUBLICATIONS

Hardware Age, Jan. 12, 1961, p. 132, item 403, Sprayer
in center of page.

Primary Examiner—Robert C. Spangler

[57] CLAIM

The ornamental design for a combined valve actuator
and dispensing cap for a pressurized container, as
shown and described.

DESCRIPTION

FIG. 1 is a perspective view of a combined valve actuator and dispensing cap for a pressurized container showing my new design;
FIG. 2 is a top plan view;
FIG. 3 is a front elevational view;
FIG. 4 is a rear elevational view;
FIG. 5 is a side elevational view showing the side opposite that seen in FIG. 1; and
FIG. 6 is a bottom plan view thereof.

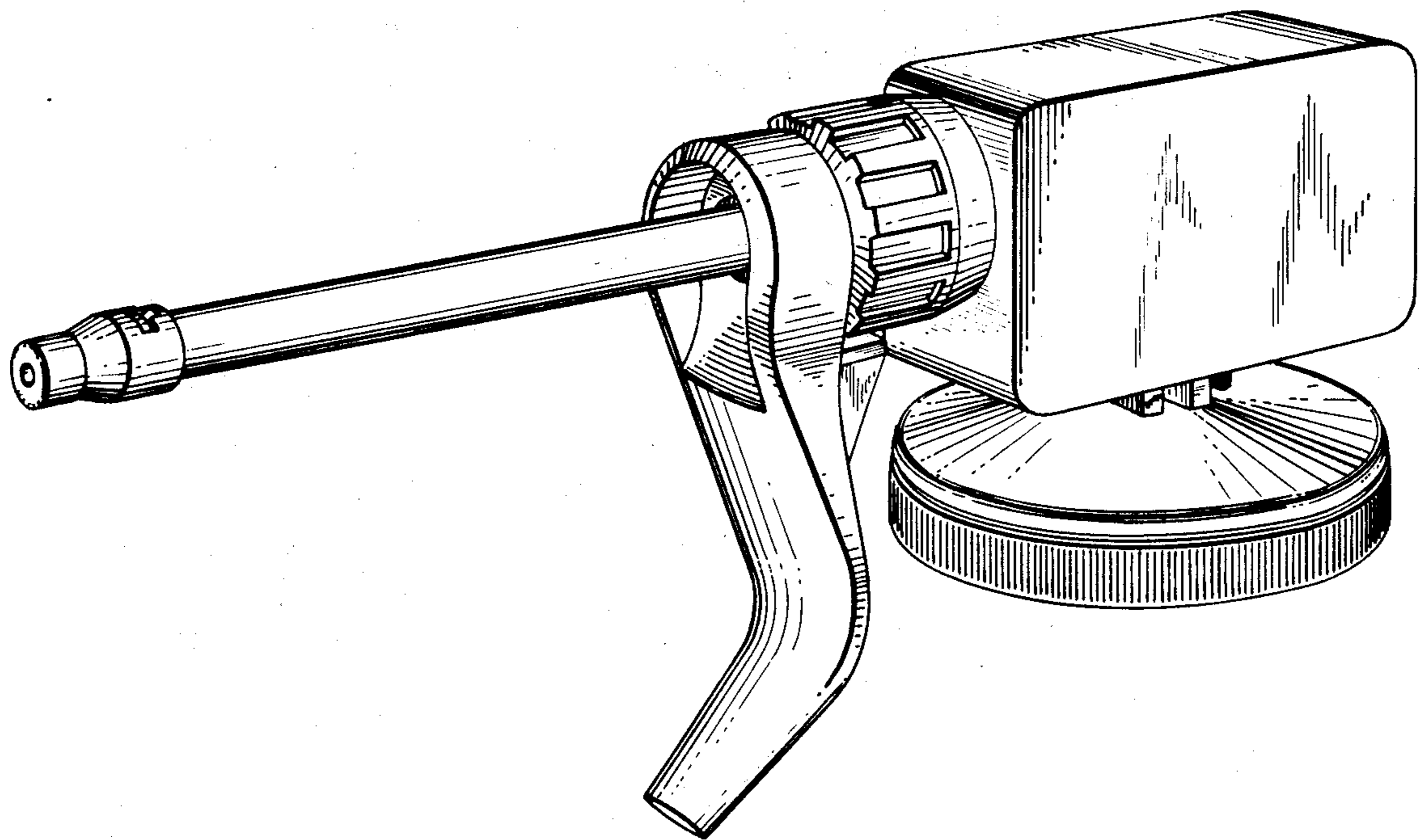
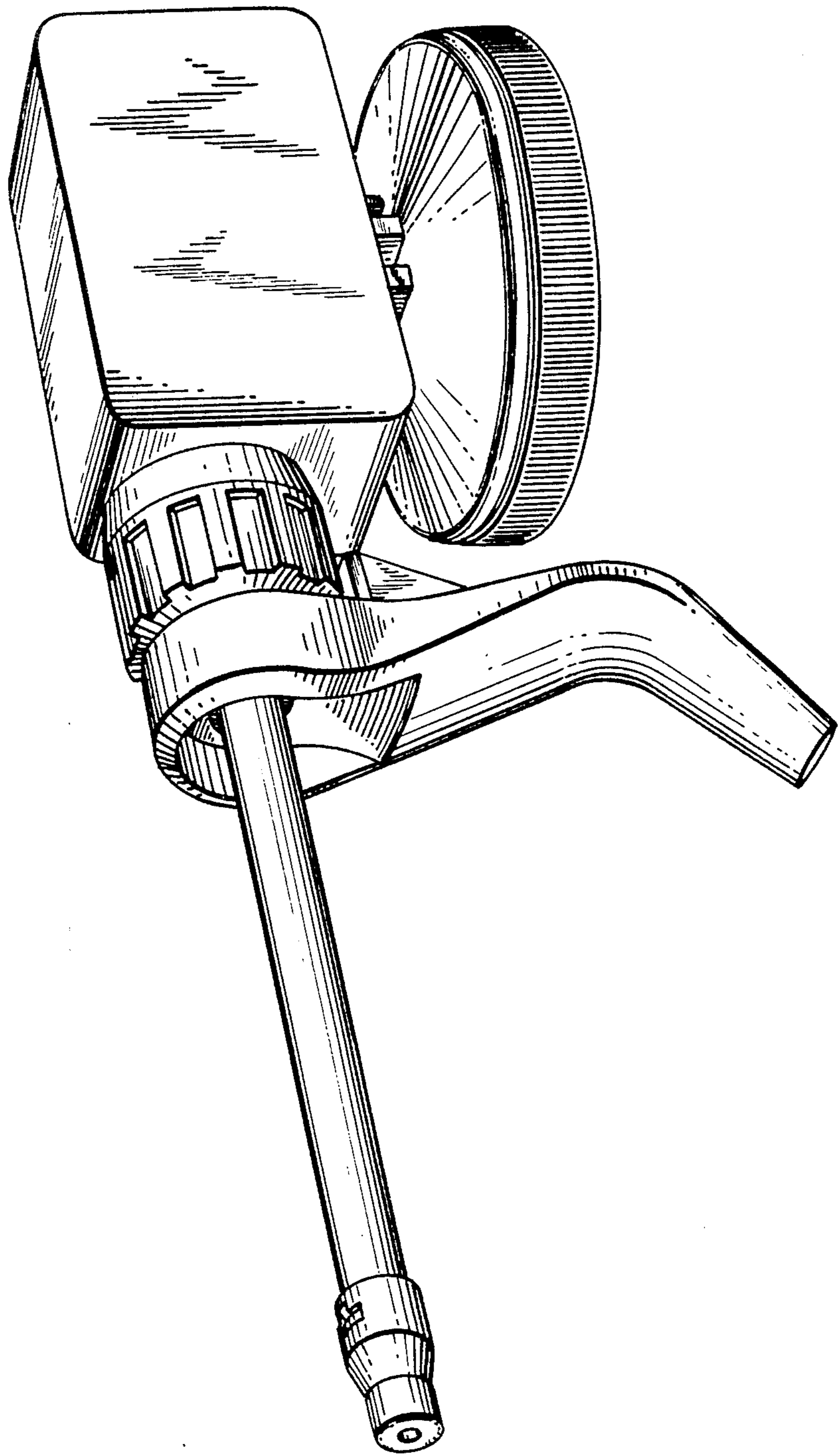


FIG. 1



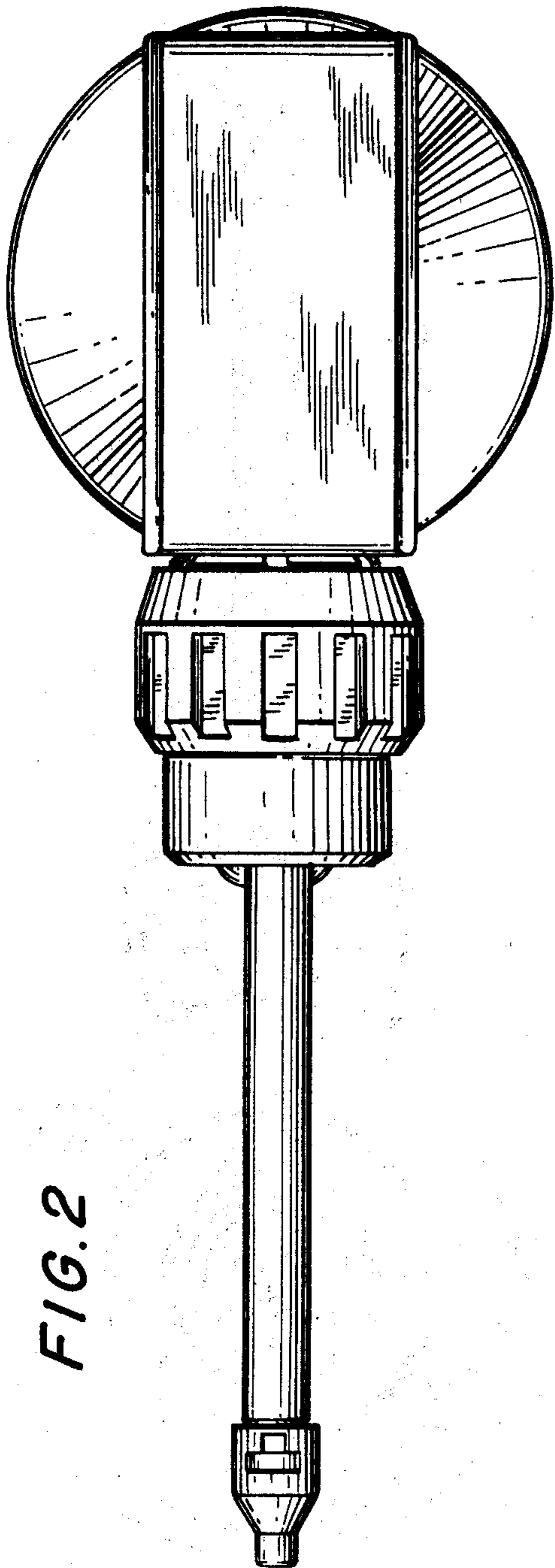


FIG. 2

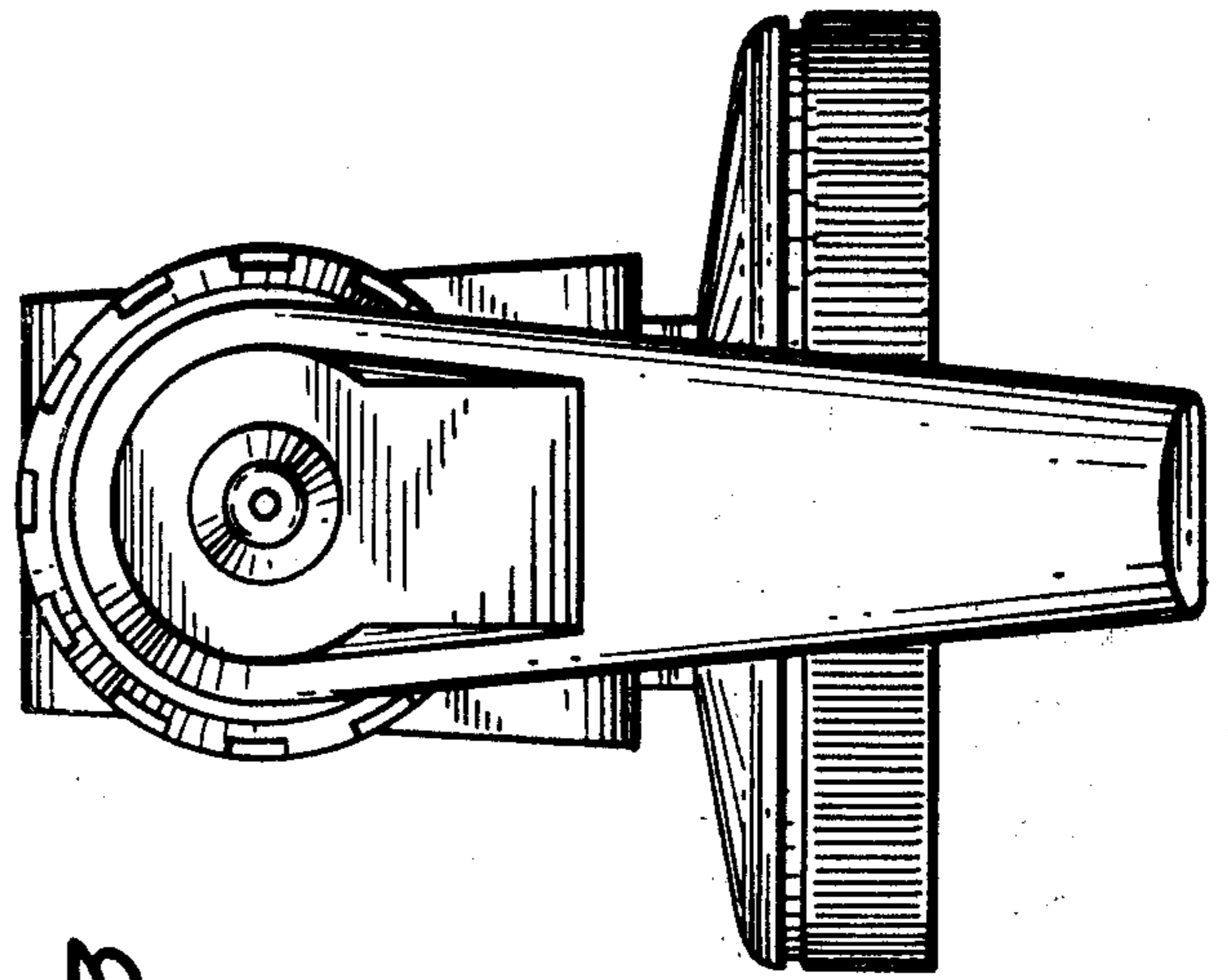


FIG. 3

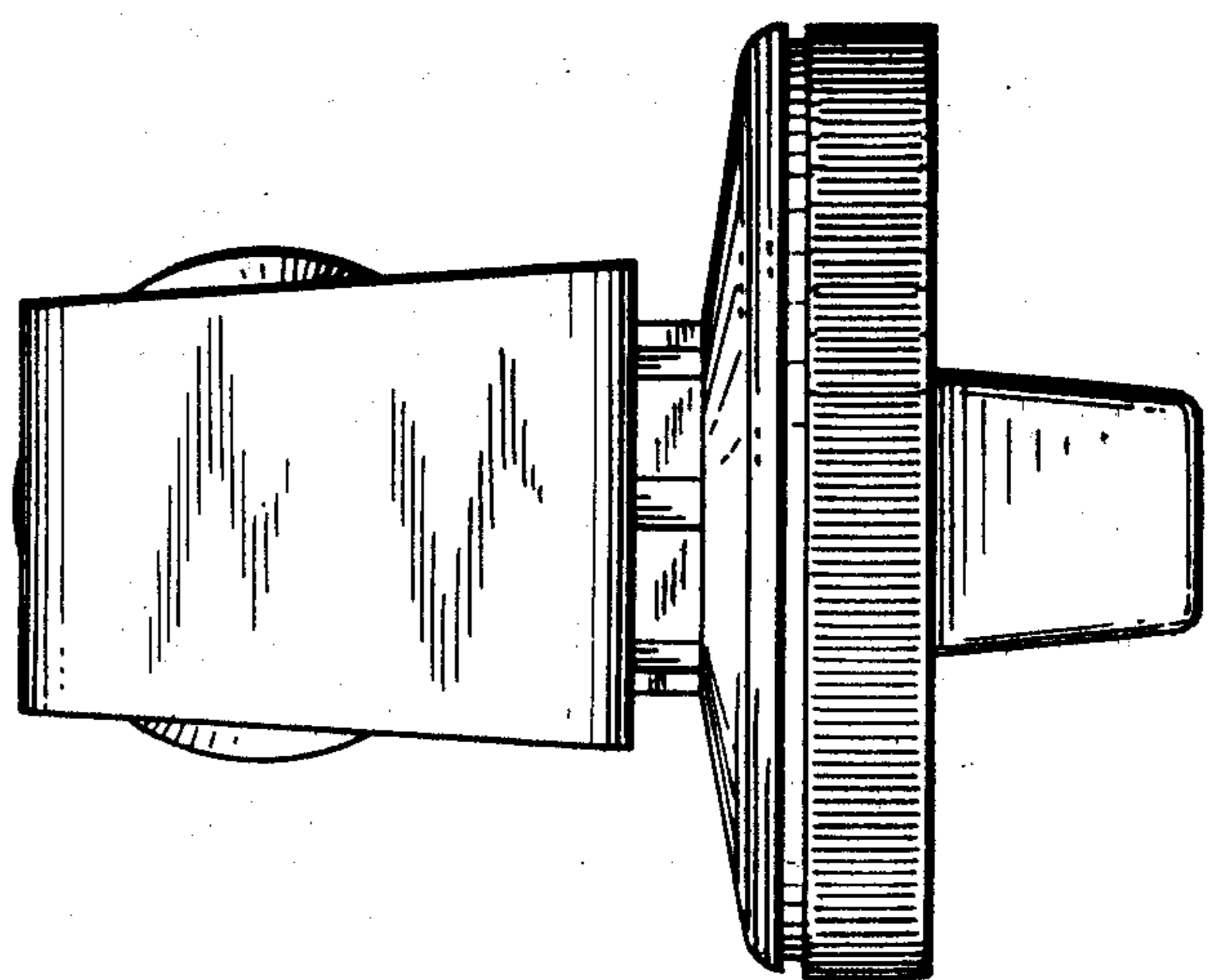


FIG. 4

FIG. 5

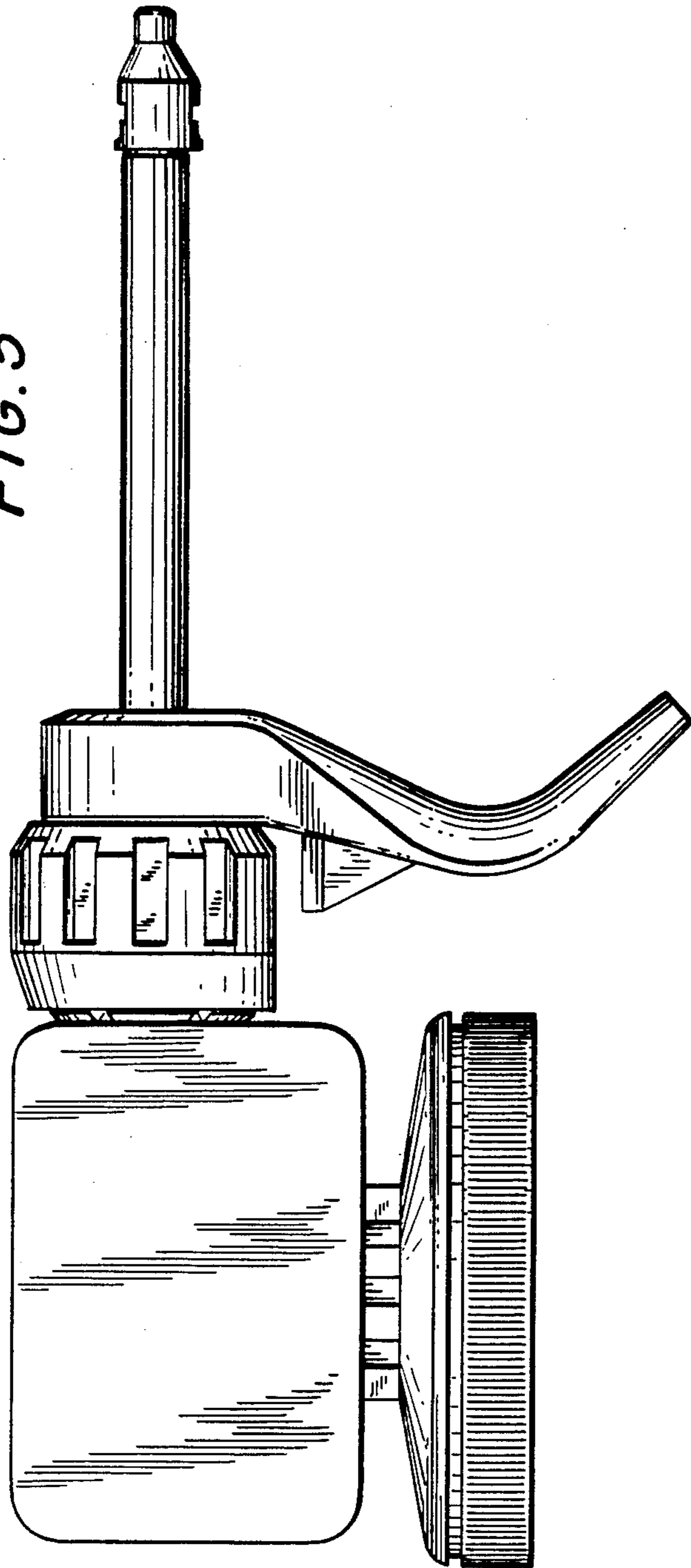


FIG. 6

