

[54] DISPENSING NOZZLE FOR A CONTAINER

[75] Inventor: Bruce A. Freeman, Oklahoma City, Okla.

[73] Assignee: Continental Plastics Company, Oklahoma City, Okla.

[**] Term: 14 Years

[21] Appl. No.: 362,984

[22] Filed: Mar. 29, 1982

[52] U.S. Cl. D9/447

[58] Field of Search D9/300, 301, 302, 373, D9/375, 440, 447; 215/1 R, 1 C; 222/569, 570

[56] References Cited

U.S. PATENT DOCUMENTS

- D. 204,909 5/1966 Russell D9/447
- D. 217,133 4/1970 O'Neill D9/447
- D. 226,945 5/1973 Burkhardt D9/447

- D. 234,123 1/1975 Ragagli D9/447
- D. 241,125 8/1976 Knapp D9/447

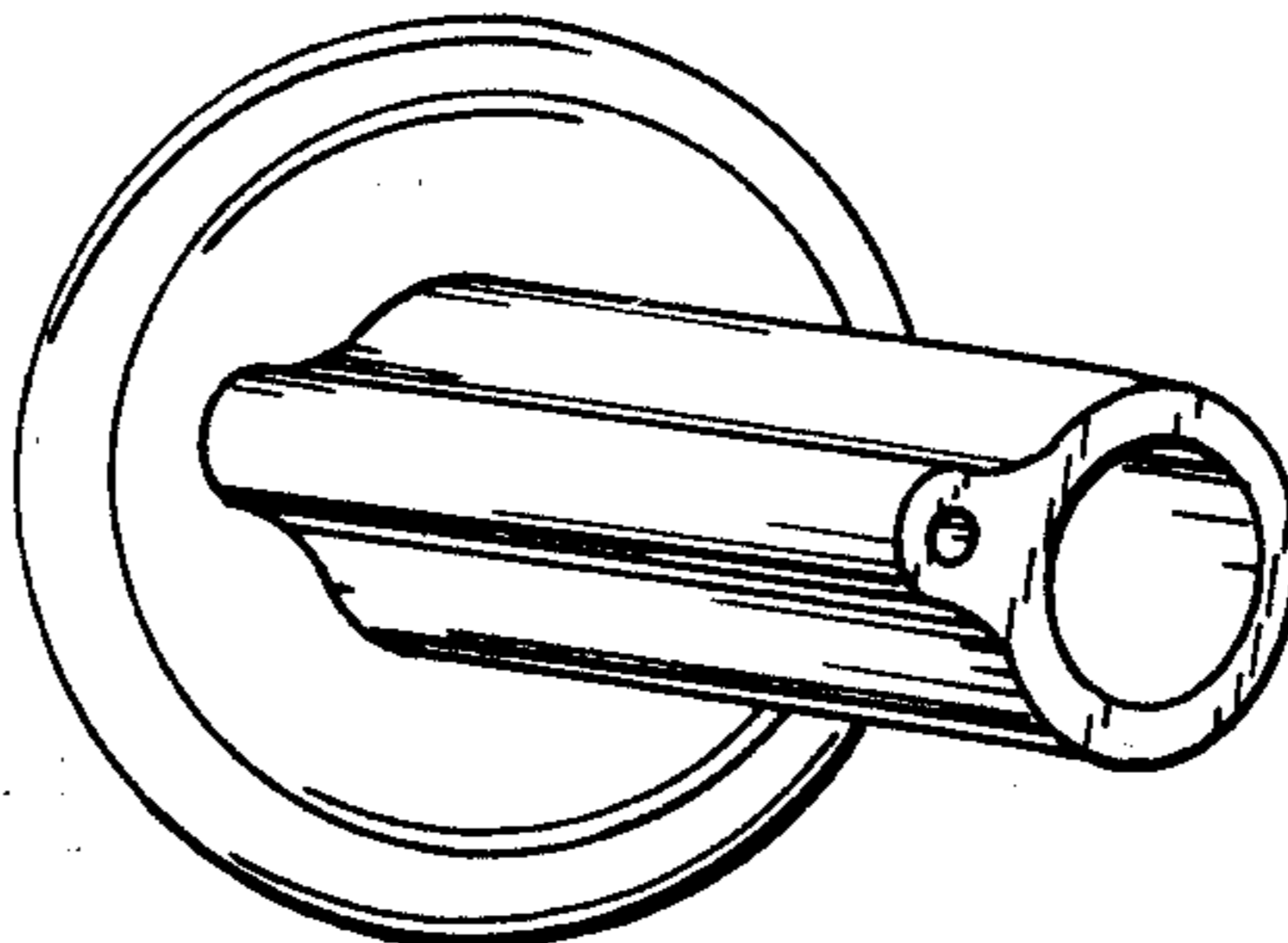
Primary Examiner—Robert C. Spangler
Attorney, Agent, or Firm—William R. Laney

[57] CLAIM

The ornamental design for a dispensing nozzle for a container, substantially as shown and described.

DESCRIPTION

FIG. 1 is a top plan view of a dispensing nozzle for a container showing my new design;
 FIG. 2 is a bottom plan view;
 FIG. 3 is an elevational view;
 FIG. 4 is an elevational view showing the side opposite that seen in FIG. 3;
 FIG. 5 is an elevational view looking from the left in FIG. 3; and
 FIG. 6 is an elevational view looking from the right of FIG. 3.



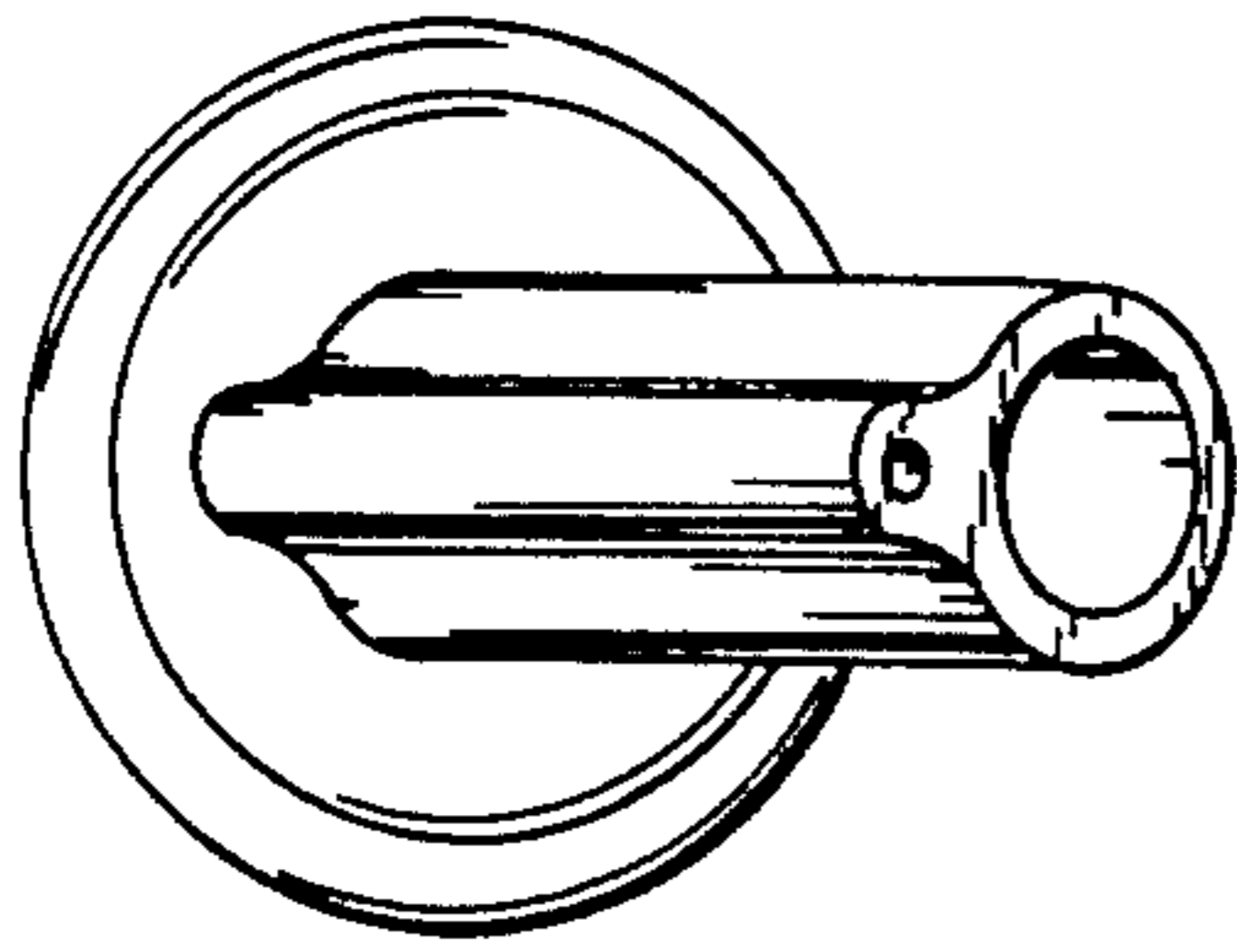


FIG. 1

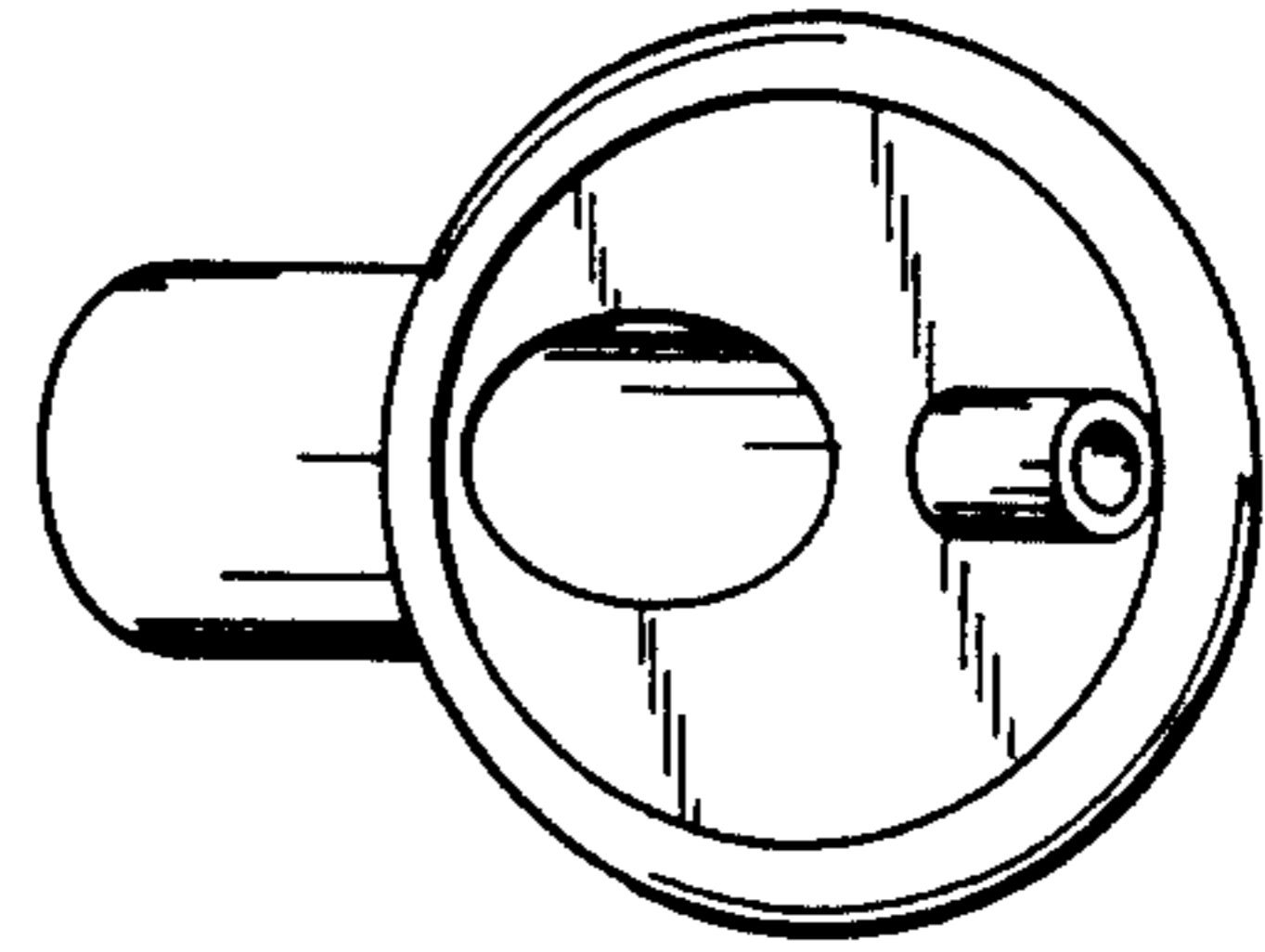


FIG. 2

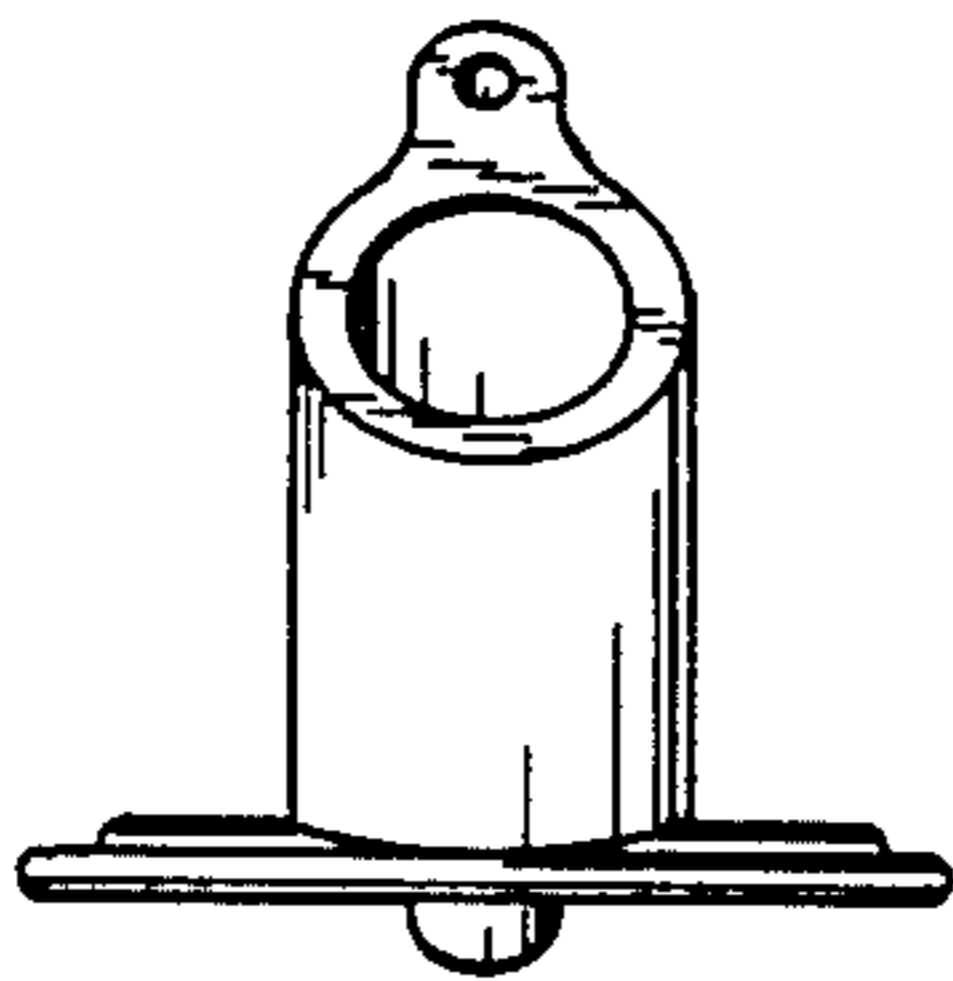


FIG. 3

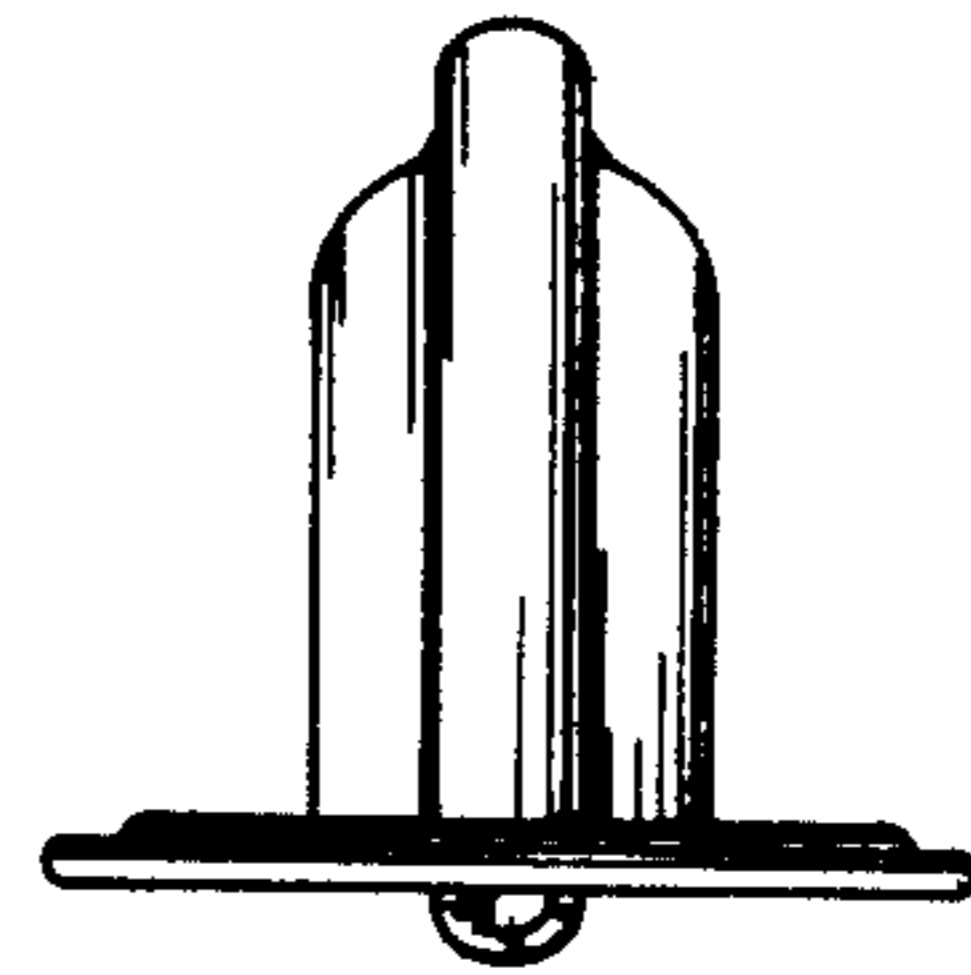


FIG. 4

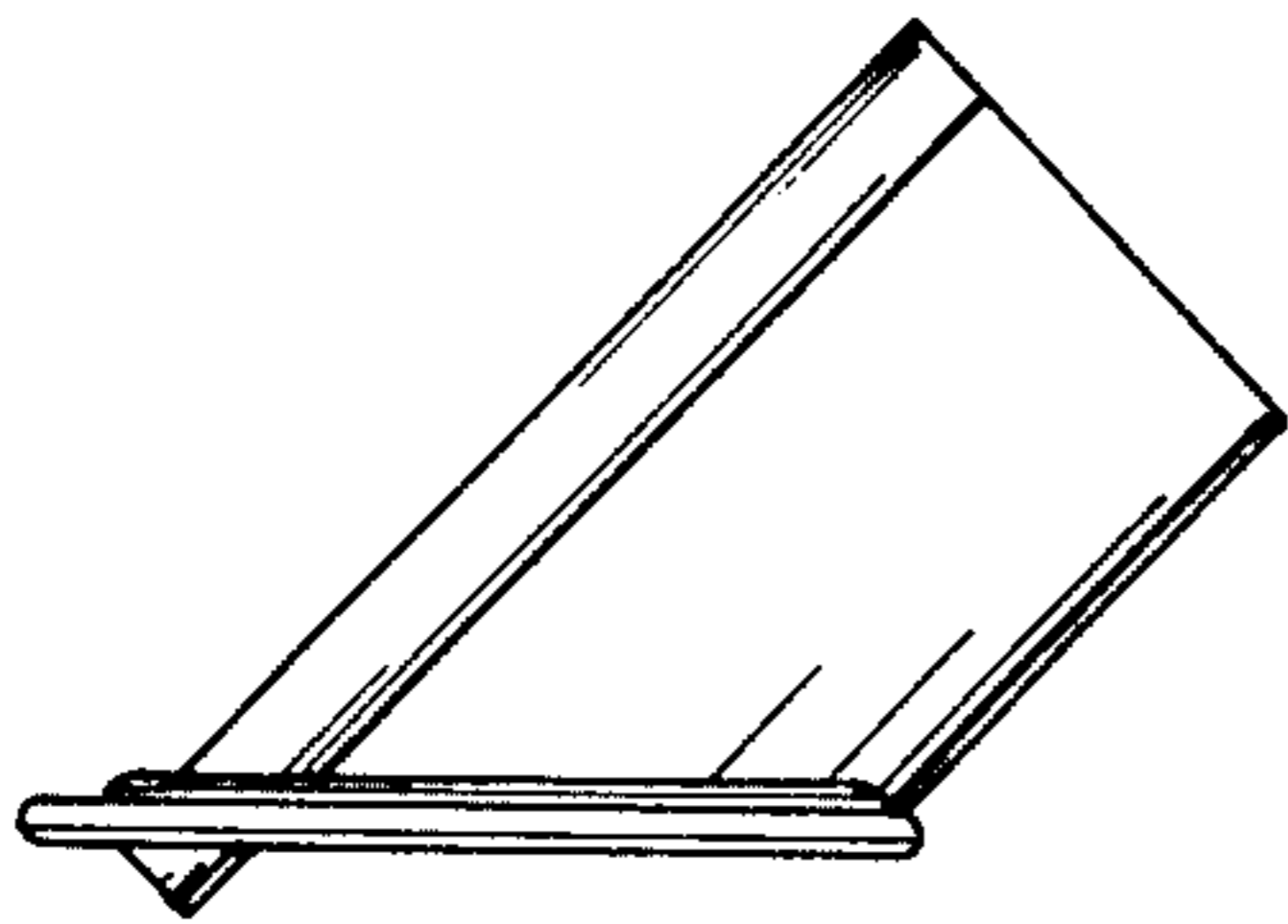


FIG. 5

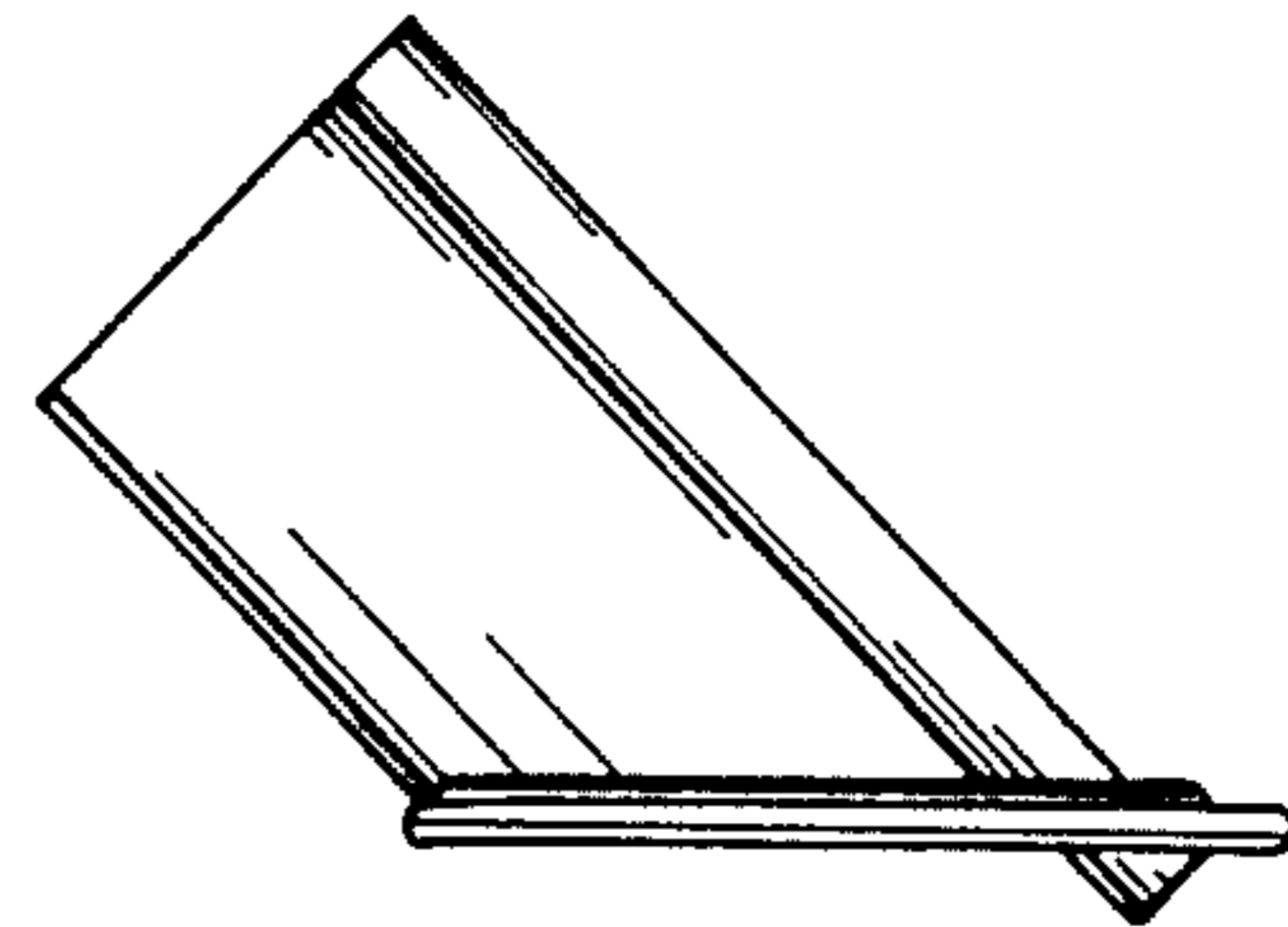


FIG. 6