

[54] **FIXTURE HANGER MEMBER**

[75] Inventor: **Hendrik A. J. de Vos**, Swansea, Mass.

[73] Assignee: **GTE Products Corporation**,
Stamford, Conn.

[**] Term: **14 Years**

[21] Appl. No.: **350,848**

[22] Filed: **Feb. 22, 1982**

[52] U.S. Cl. **D8/373**

[58] Field of Search **D8/373, 380, 354, 349,**
D8/364, 366; 248/318, 343, 342, 317, 324;
174/61, 63, 50

[56] **References Cited**

U.S. PATENT DOCUMENTS

1,155,350	10/1915	Gilson et al.	174/61
2,291,492	7/1942	Naysmith	248/317
2,545,564	3/1951	Appleton	248/343
2,739,780	3/1956	Richards	248/324
3,012,090	12/1961	Robbins	174/61
3,066,904	12/1962	Cook et al.	248/342
3,087,118	4/1963	Goffstein	248/317
3,784,144	1/1974	Ollinger et al.	248/317
3,872,296	3/1975	Cohen et al.	248/343
4,025,019	5/1977	Jacobsen et al.	248/317

FOREIGN PATENT DOCUMENTS

670886	9/1963	Canada	248/343
52-47701	1/1977	Japan	248/343
878507	10/1961	United Kingdom	248/317

OTHER PUBLICATIONS

Zierick Mfg. Corp. Catalog ©1966, Title Lugs, Clips, Terminals/Metal Stampings, Items #701, #580 on p. 25; #553, p. 30, #466-7, p. 29.

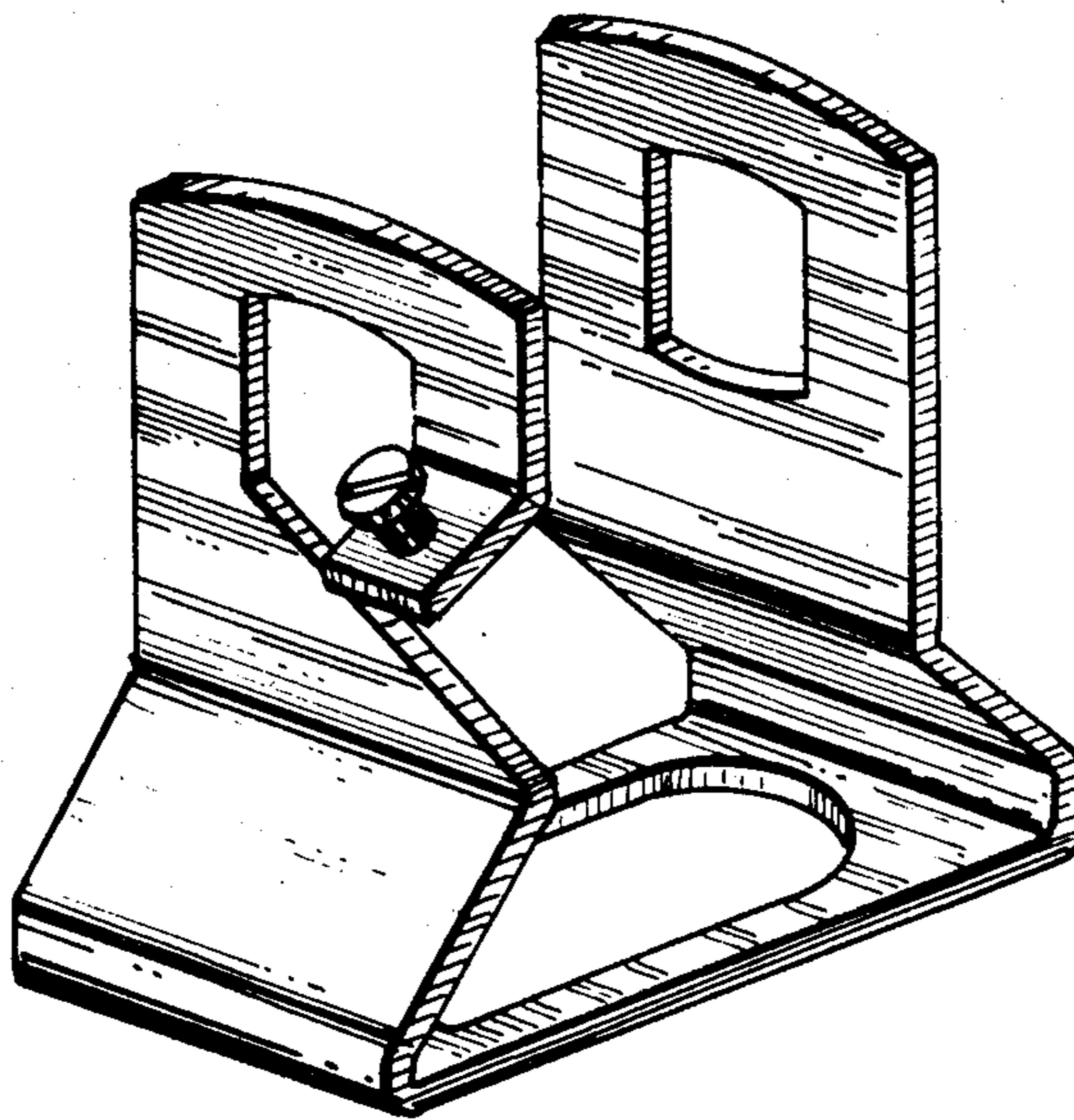
Primary Examiner—Wallace R. Burke
Assistant Examiner—Horace B. Fay
Attorney, Agent, or Firm—Lawrence R. Fraley

[57] **CLAIM**

The ornamental design for a fixture hanger member, as shown and described.

DESCRIPTION

FIG. 1 is a perspective view of a fixture hanger member, showing my new design;
FIG. 2 is a side elevational view thereof as taken along the line 2—2 in FIG. 4;
FIG. 3 is a side elevational view thereof taken from a side opposite that shown in FIG. 2;
FIG. 4 is a front elevational view thereof;
FIG. 5 is a rear elevational view thereof;
FIG. 6 is a top plan view thereof as taken along the line 6—6 in FIG. 4; and
FIG. 7 is a bottom plan view thereof, as taken along the lines 7—7 in FIG. 5.



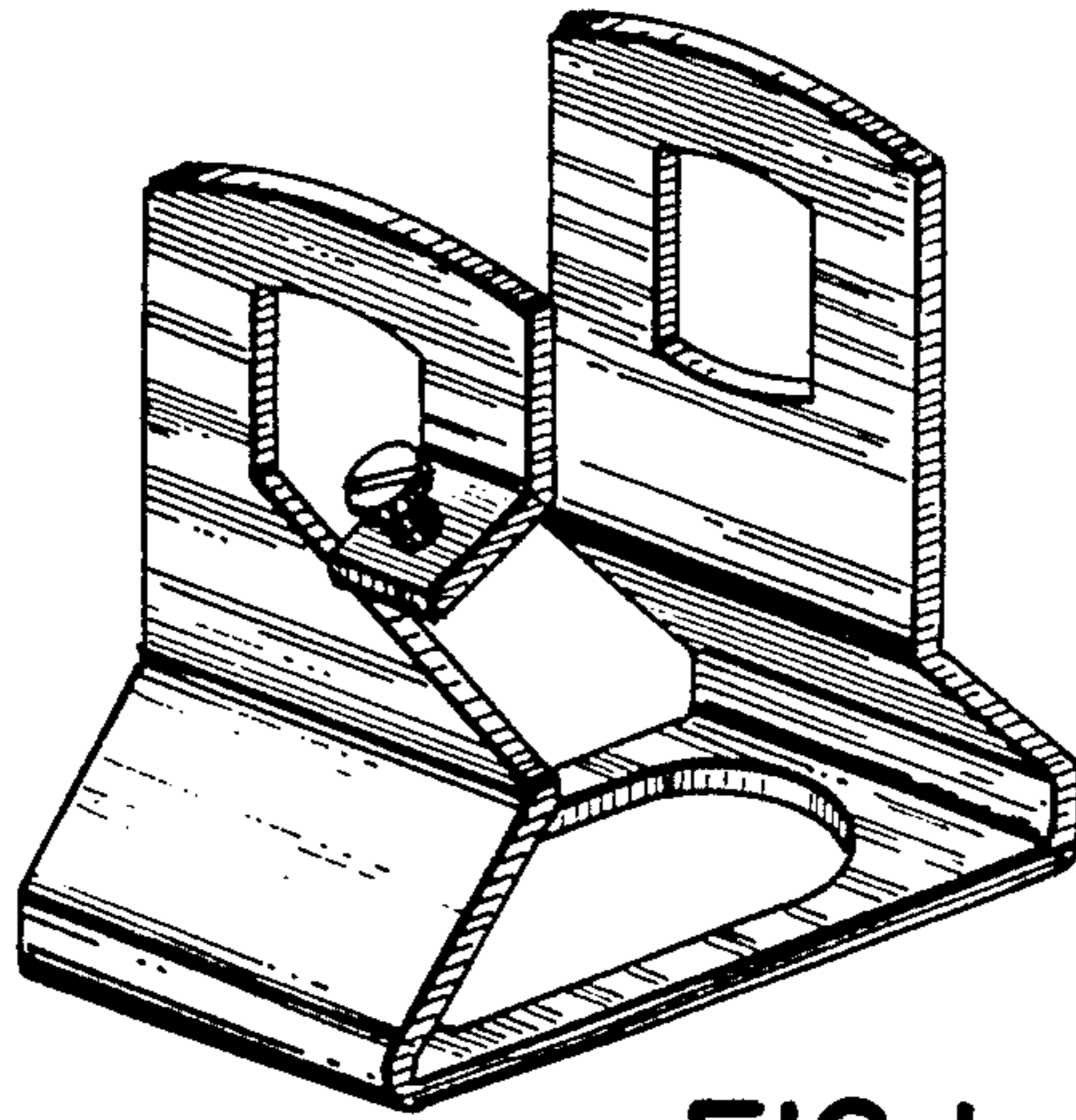


FIG. 1

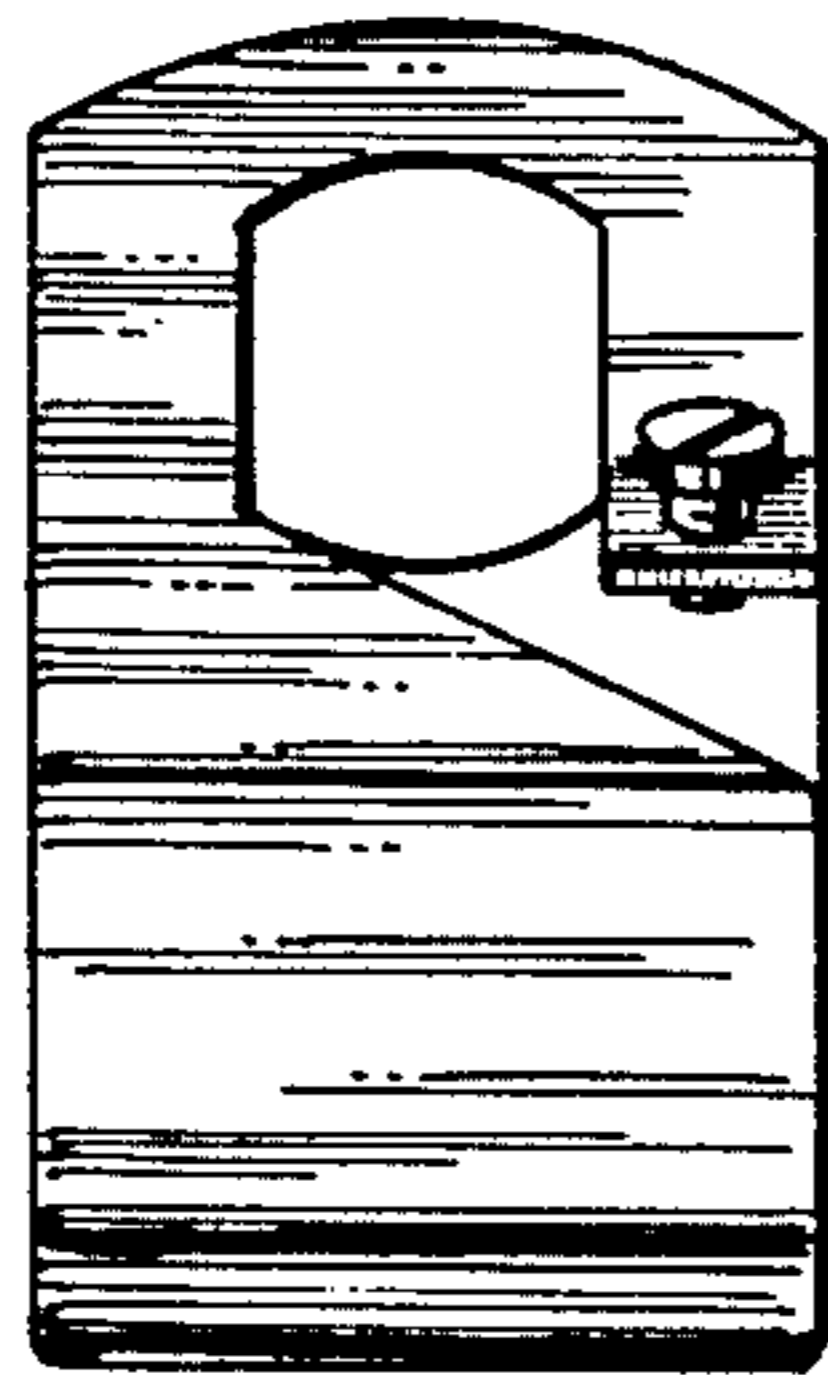


FIG. 2

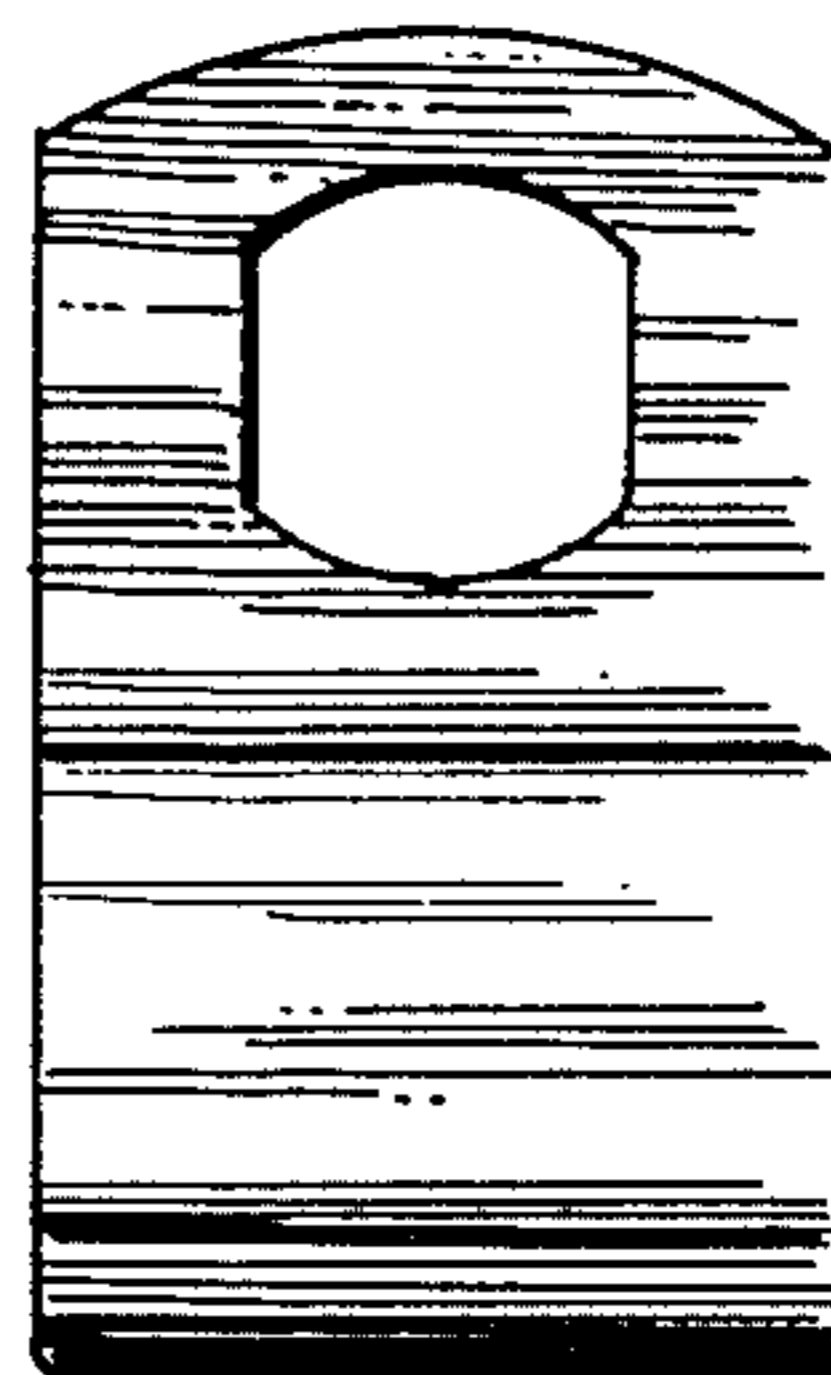


FIG. 3

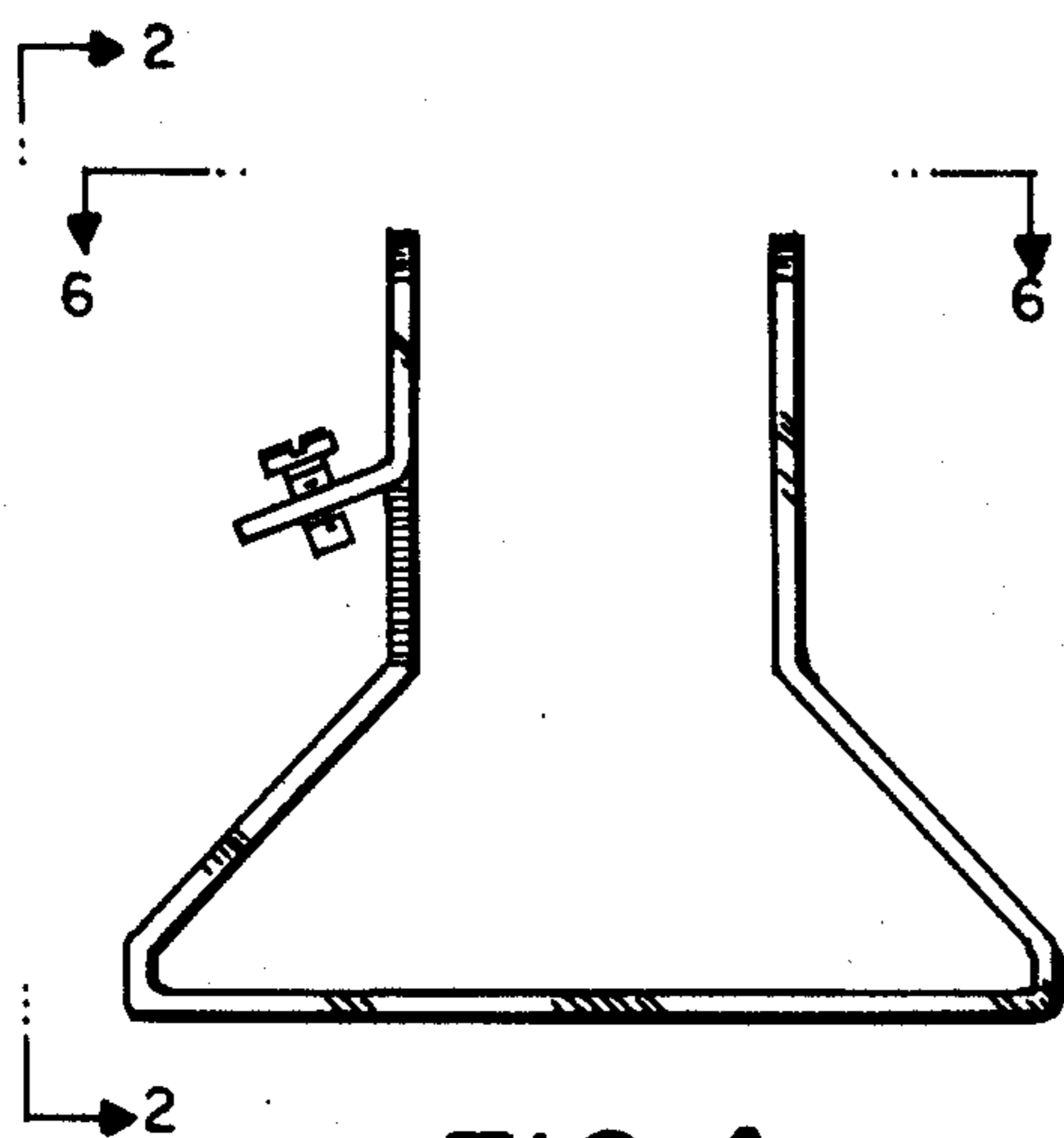


FIG. 4

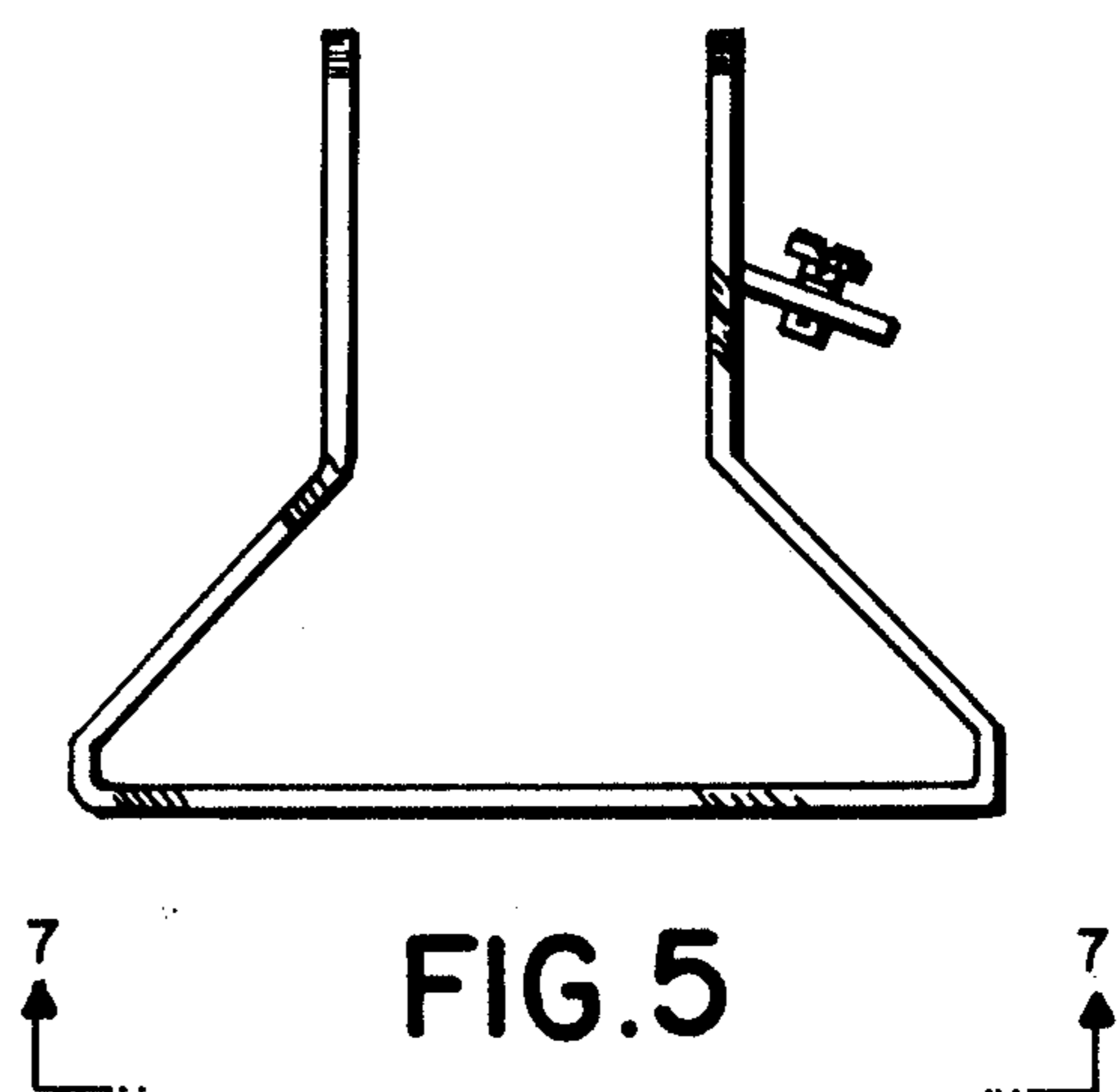


FIG. 5

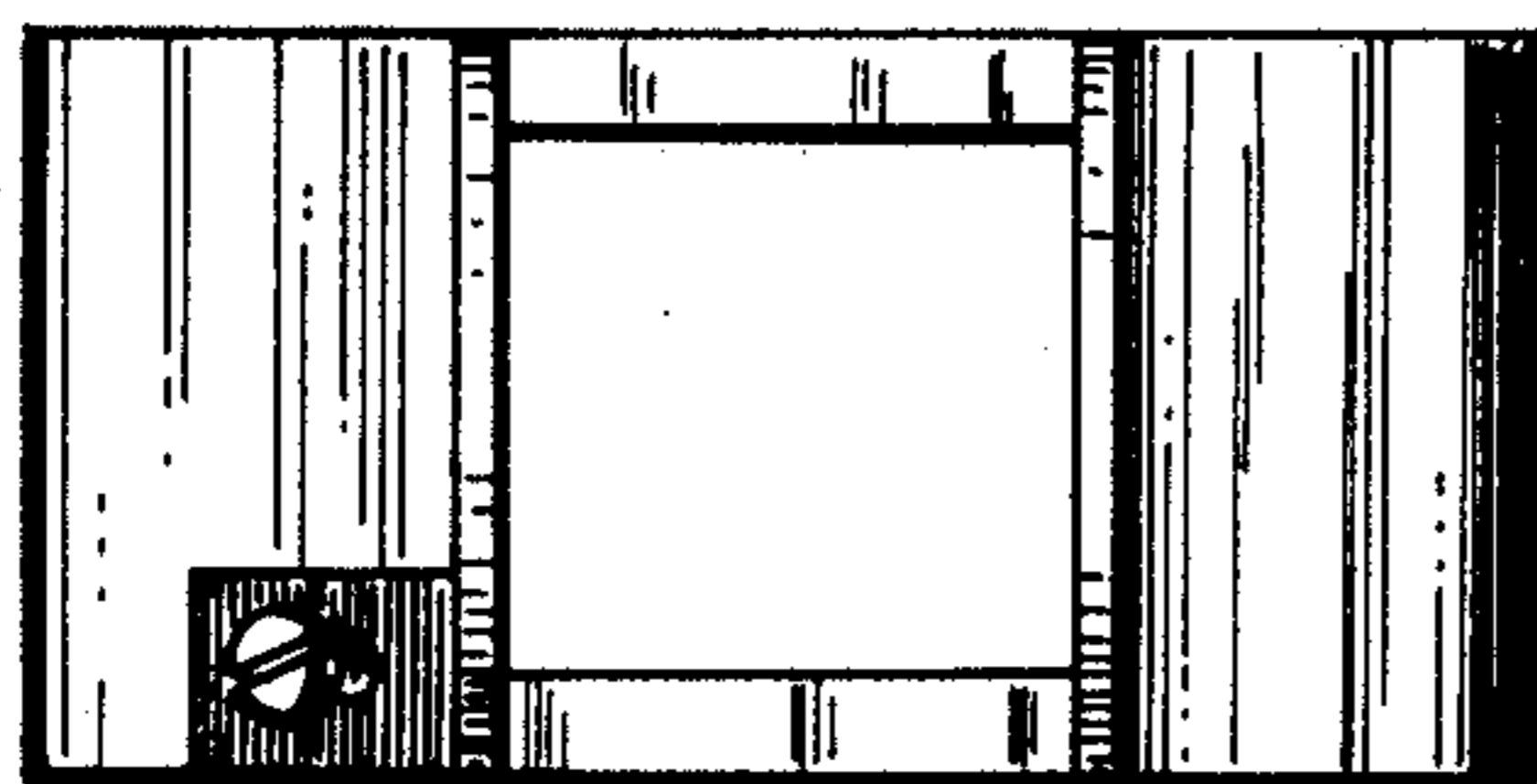


FIG. 6

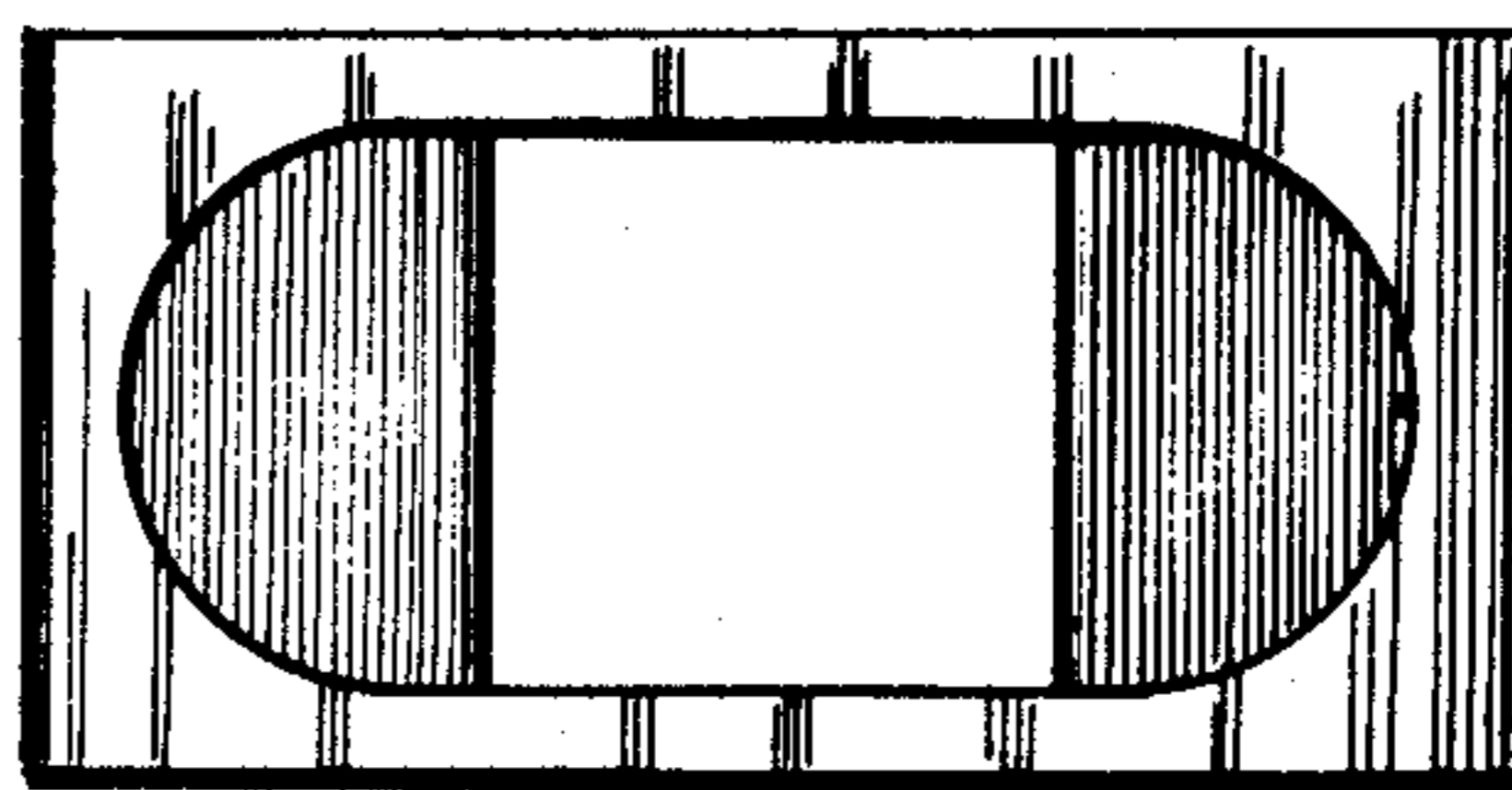


FIG. 7