

[54] KITE REEL SPOOL

[76] Inventor: Maria da Gloria Germano, 42-30 Hampton St., Elmhurst, N.Y. 11373

[\*\*] Term: 14 Years

[21] Appl. No.: 396,746

[22] Filed: Jul. 9, 1982

[52] U.S. Cl. .... D8/359

[58] Field of Search ..... D8/356-359; 242/96, 137, 137.1

2,947,493	8/1960	Schneider et al. ....	242/96
3,027,003	3/1962	Cole et al. ....	242/137.1
3,952,965	4/1976	Falcon ....	242/96
4,084,692	4/1978	Biliveis ....	242/137.1

Primary Examiner—Wallace R. Burke  
Assistant Examiner—Horace B. Fay  
Attorney, Agent, or Firm—Howard C. Miskin

[57] CLAIM

The ornamental design for a kite reel spool, as shown and described.

DESCRIPTION

FIG. 1 is a front elevational view thereof,  
FIG. 2 is a top plan thereof,  
FIG. 3 is a right side elevational view thereof,  
FIG. 4 is a left perspective of my design.  
The cord shown in broken lines in FIGS. 1-4 are for illustrative purposes only.

[56] References Cited

U.S. PATENT DOCUMENTS

D. 226,166	1/1973	Brinkman .....	D8/359
D. 233,411	10/1974	Geisler .....	242/96 UX
892,349	6/1908	Bailey .....	242/96
1,840,214	1/1932	Shaw .....	242/96

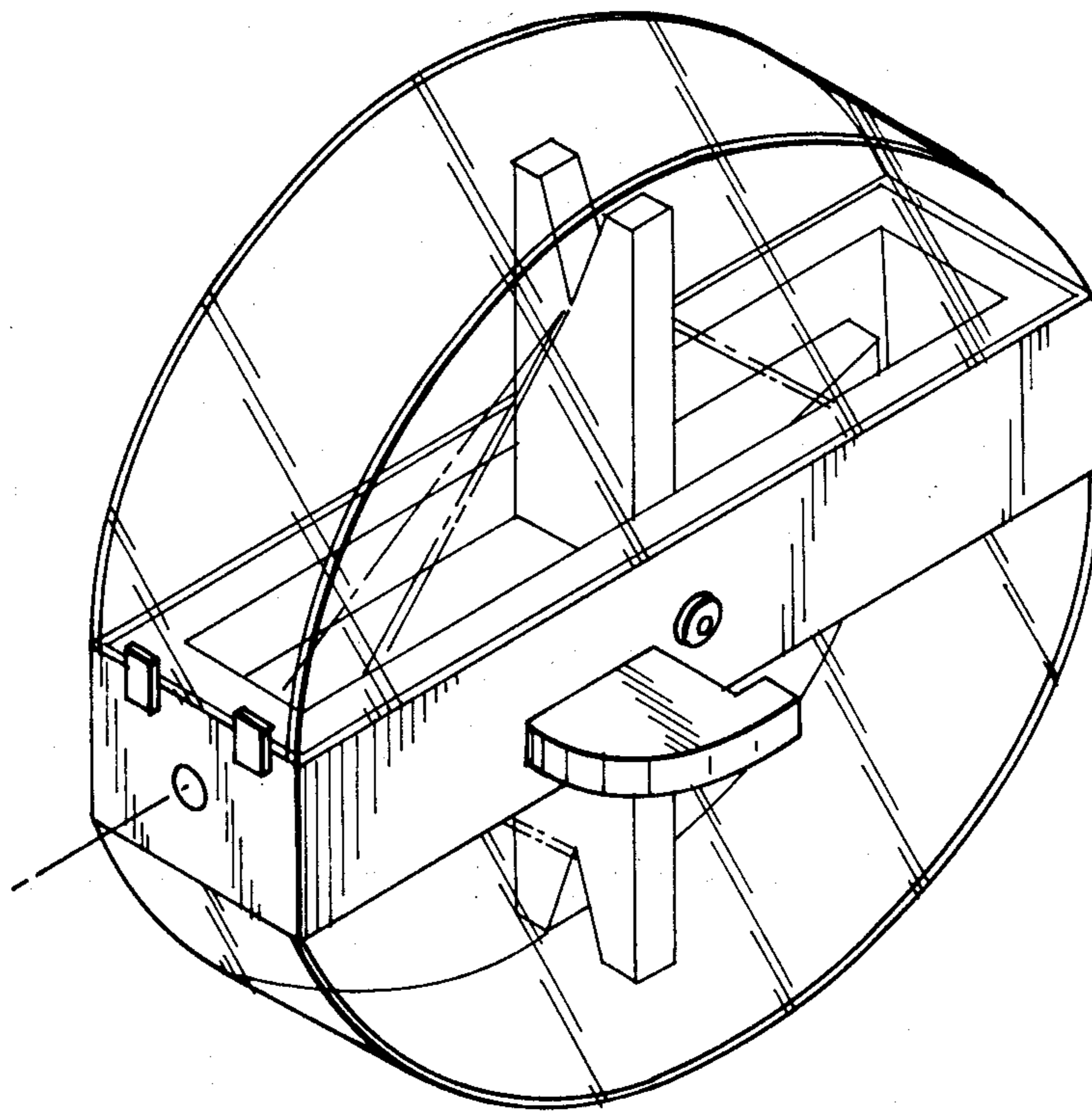


FIG. 1

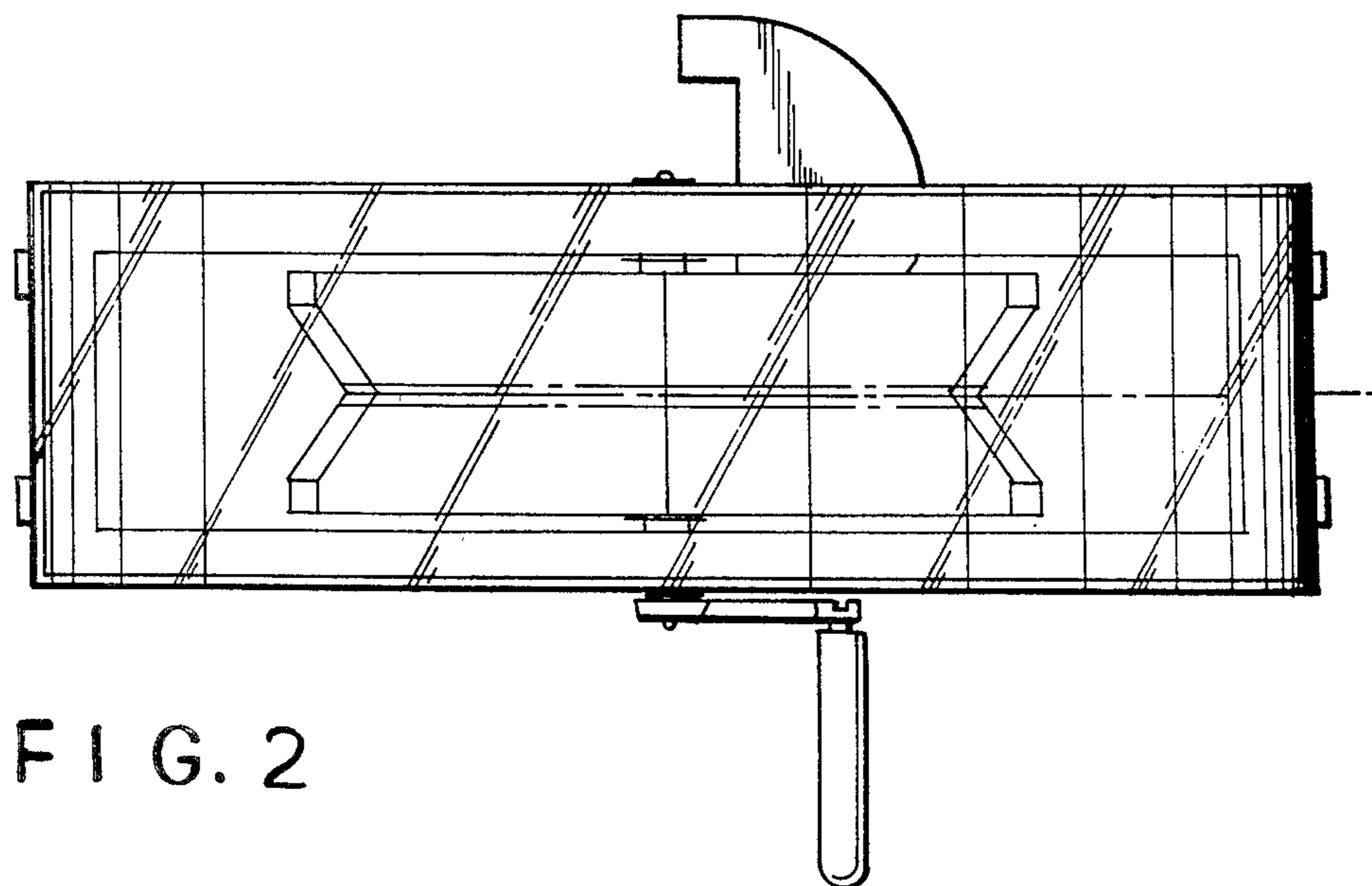
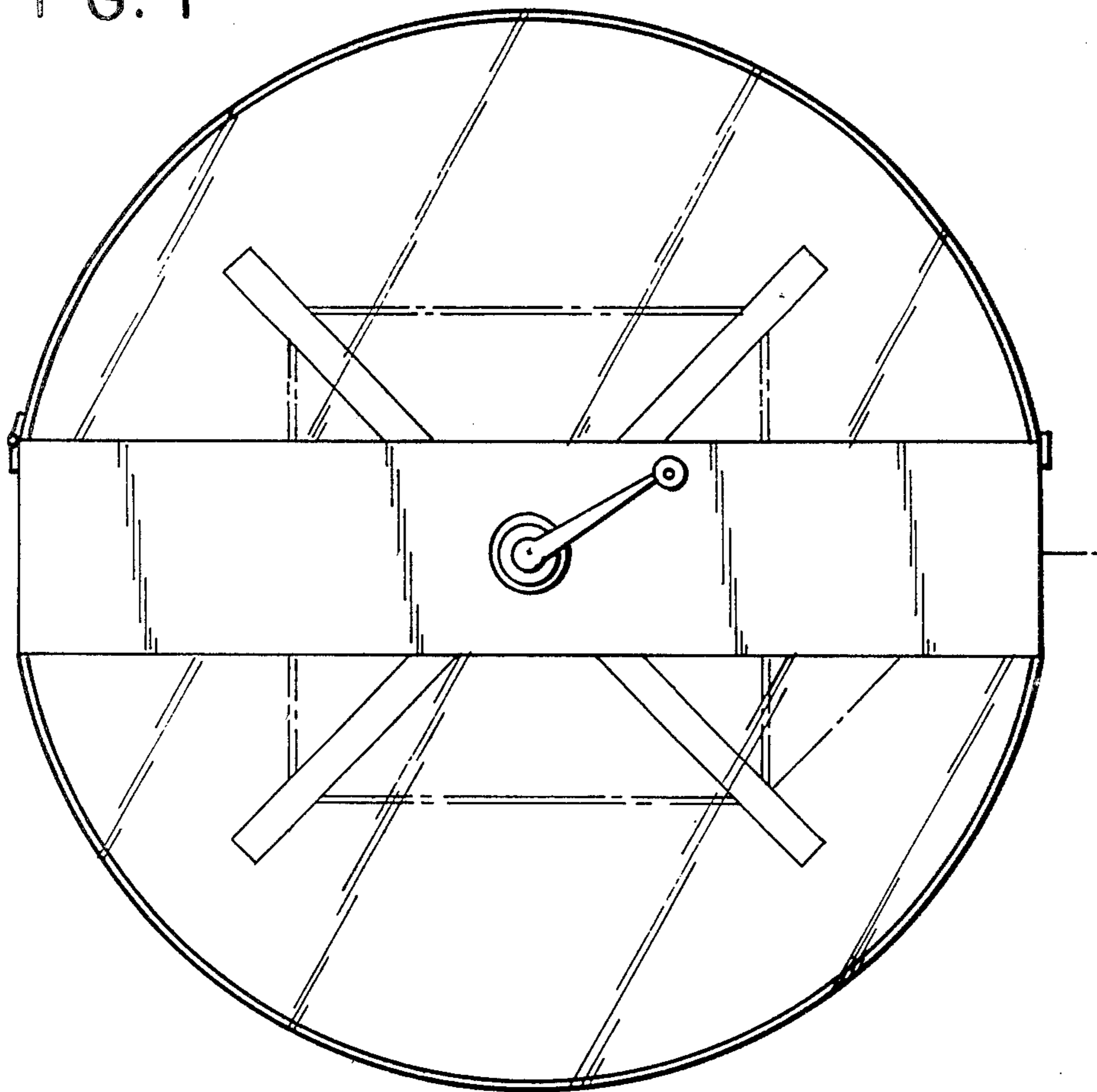


FIG. 2

FIG. 3

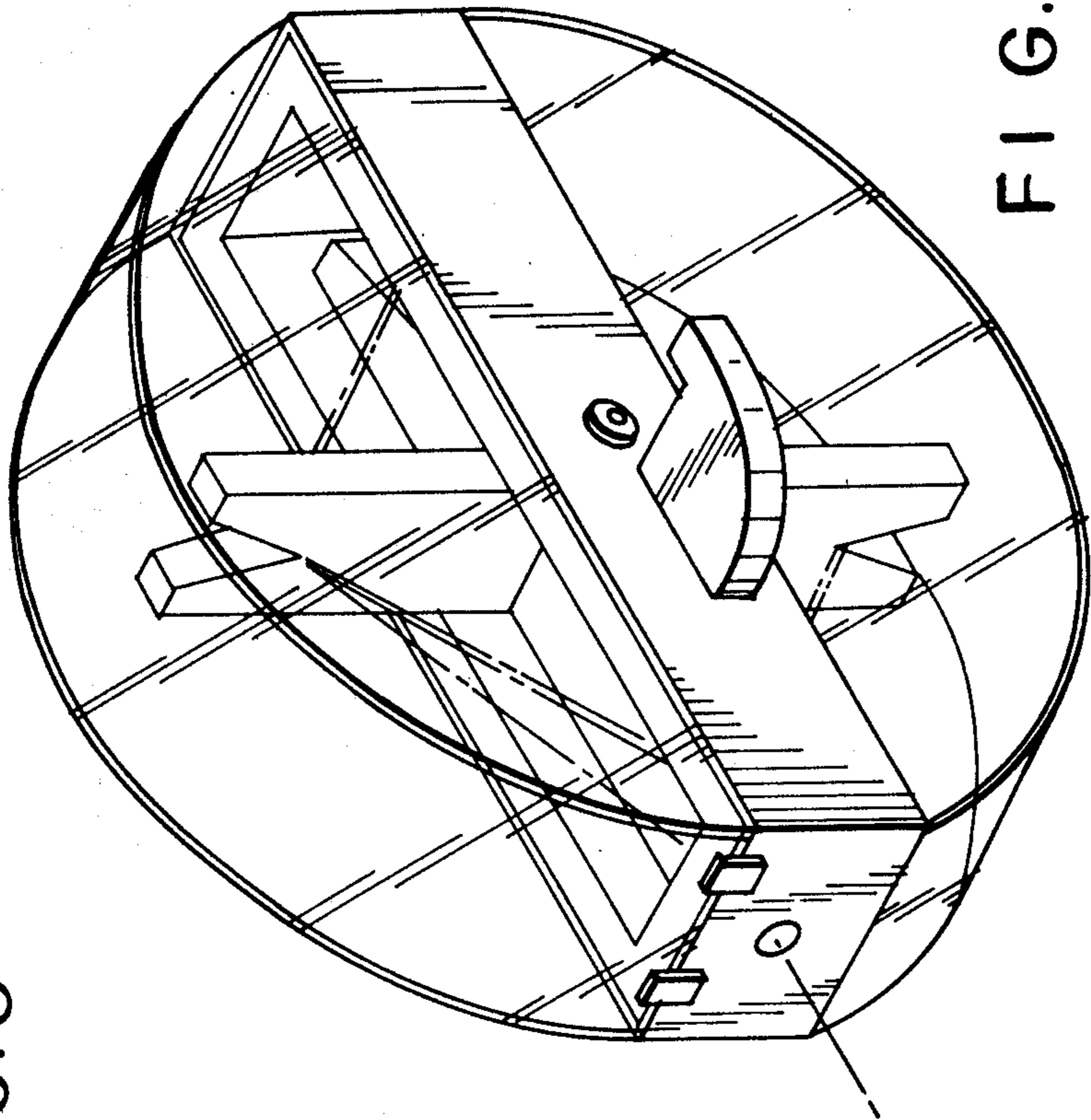
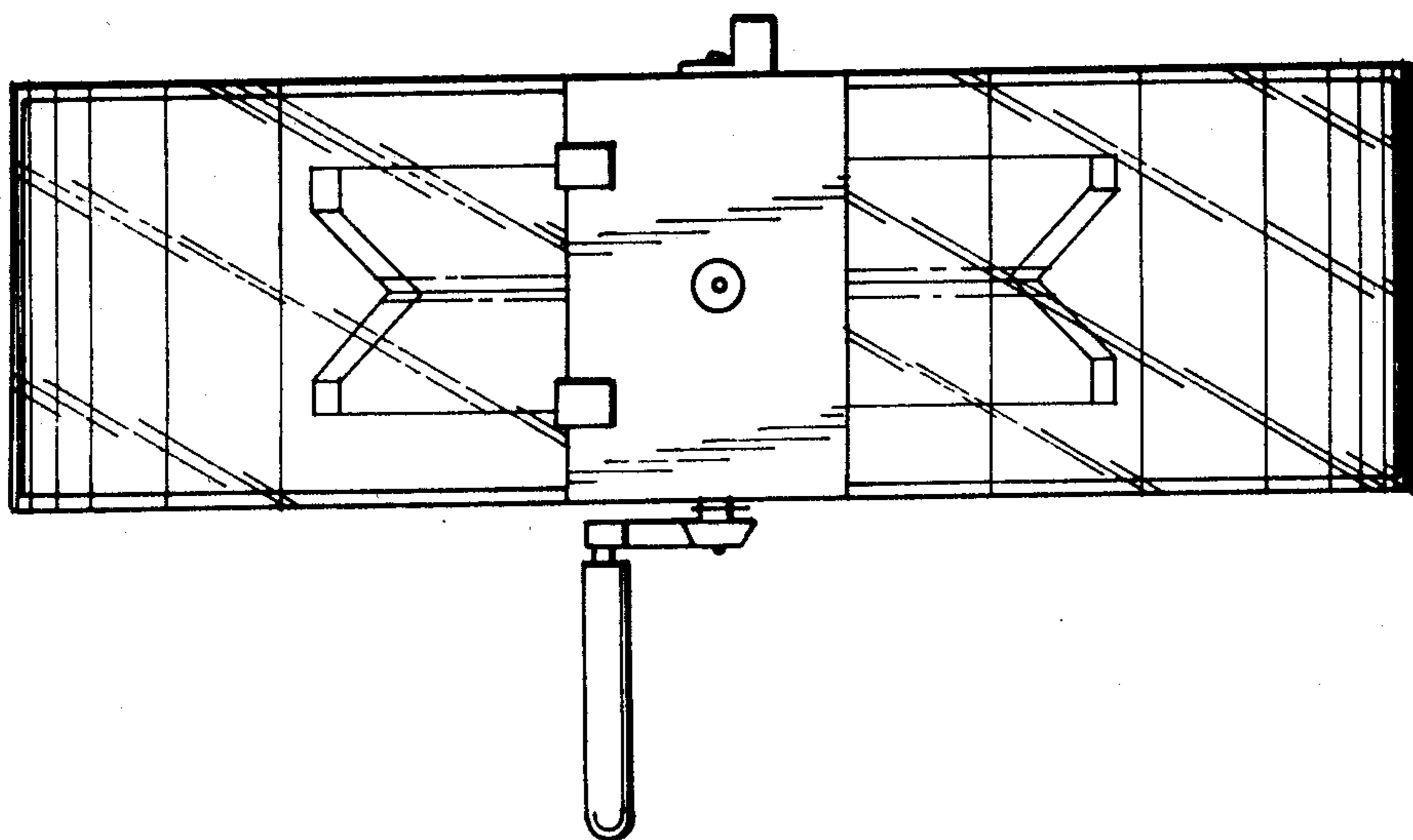


FIG. 4