

United States Patent [19]

Pelavin et al.

[11] Patent Number: **Des. 274,784**

[45] Date of Patent: **** Jul. 24, 1984**

[54] **HANDLE FOR LUGGAGE OR THE LIKE**

[75] Inventors: **Joseph Y. Pelavin**, North Bergen, N.J.; **Edward M. Stolarz**, Yorktown Heights, N.Y.

[73] Assignee: **CPG Products Corp.**, Minneapolis, Minn.

[**] Term: **14 Years**

[21] Appl. No.: **354,278**

[22] Filed: **Mar. 3, 1982**

[52] U.S. Cl. **D8/306; D8/320**

[58] Field of Search **D8/300, 306, 315, 316, D8/319, 320; 16/110 R, 116 R; 190/115, 116, 117, 118**

[56] **References Cited**

U.S. PATENT DOCUMENTS

D. 185,541 6/1959 Finkelstein D8/306
D. 220,819 5/1971 Laurita D8/306

D. 270,033 8/1983 Szabo D8/306
3,692,155 9/1972 Laurita 16/110 R

FOREIGN PATENT DOCUMENTS

1180397 2/1970 United Kingdom 190/115

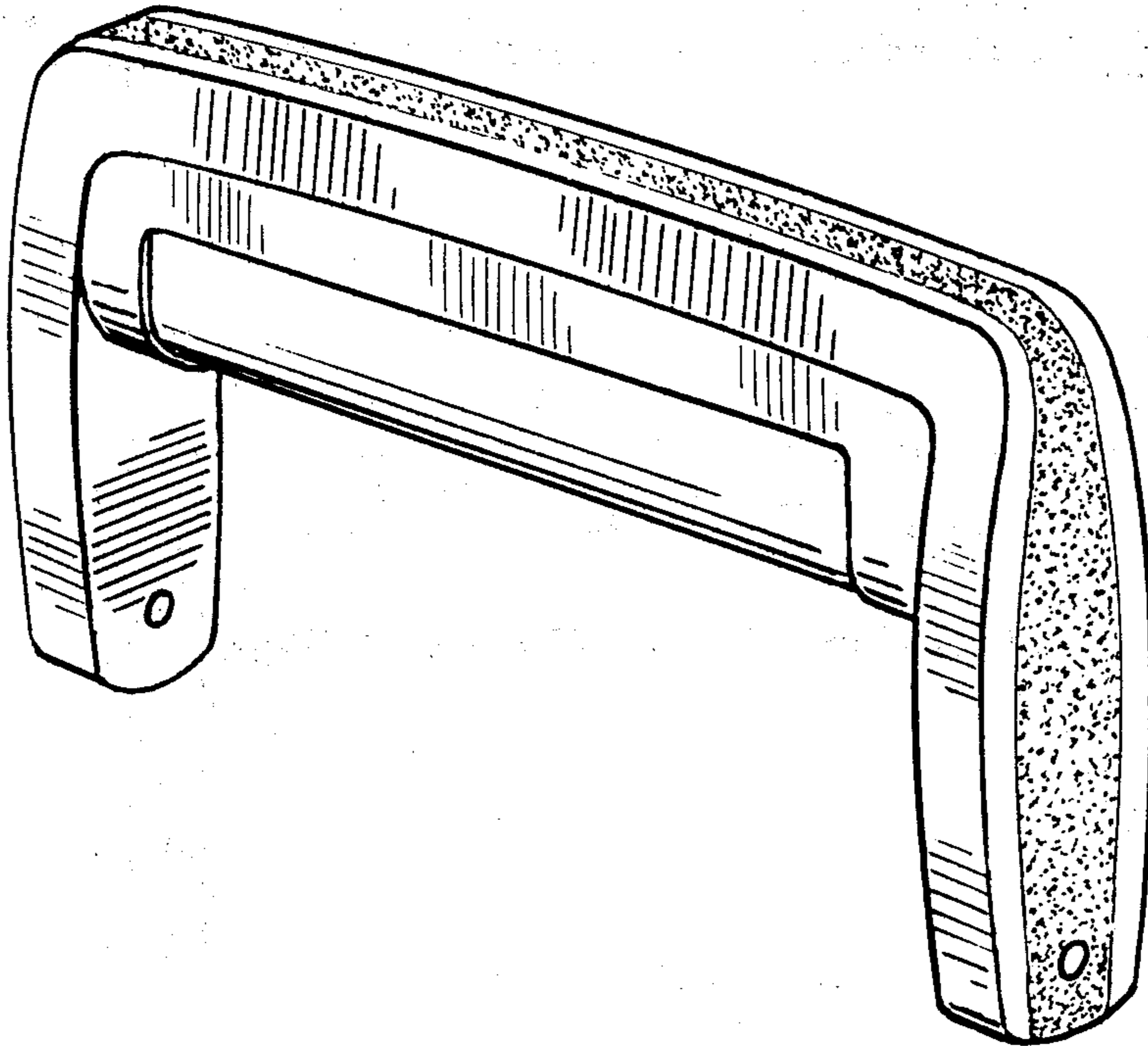
Primary Examiner—B. J. Bullock
Attorney, Agent, or Firm—L. McRoy Lillehaugen; Gene O. Enockson

[57] **CLAIM**

The ornamental design for a handle for luggage or the like, substantially as shown and described.

DESCRIPTION

FIG. 1 is a perspective view of a handle for luggage or the like showing our new design;
FIG. 2 is a front elevational view thereof;
FIG. 3 is a top plan view thereof;
FIG. 4 is a bottom plan view thereof; and
FIG. 5 is an end elevational view thereof, the opposite end being substantially a mirror image thereof.



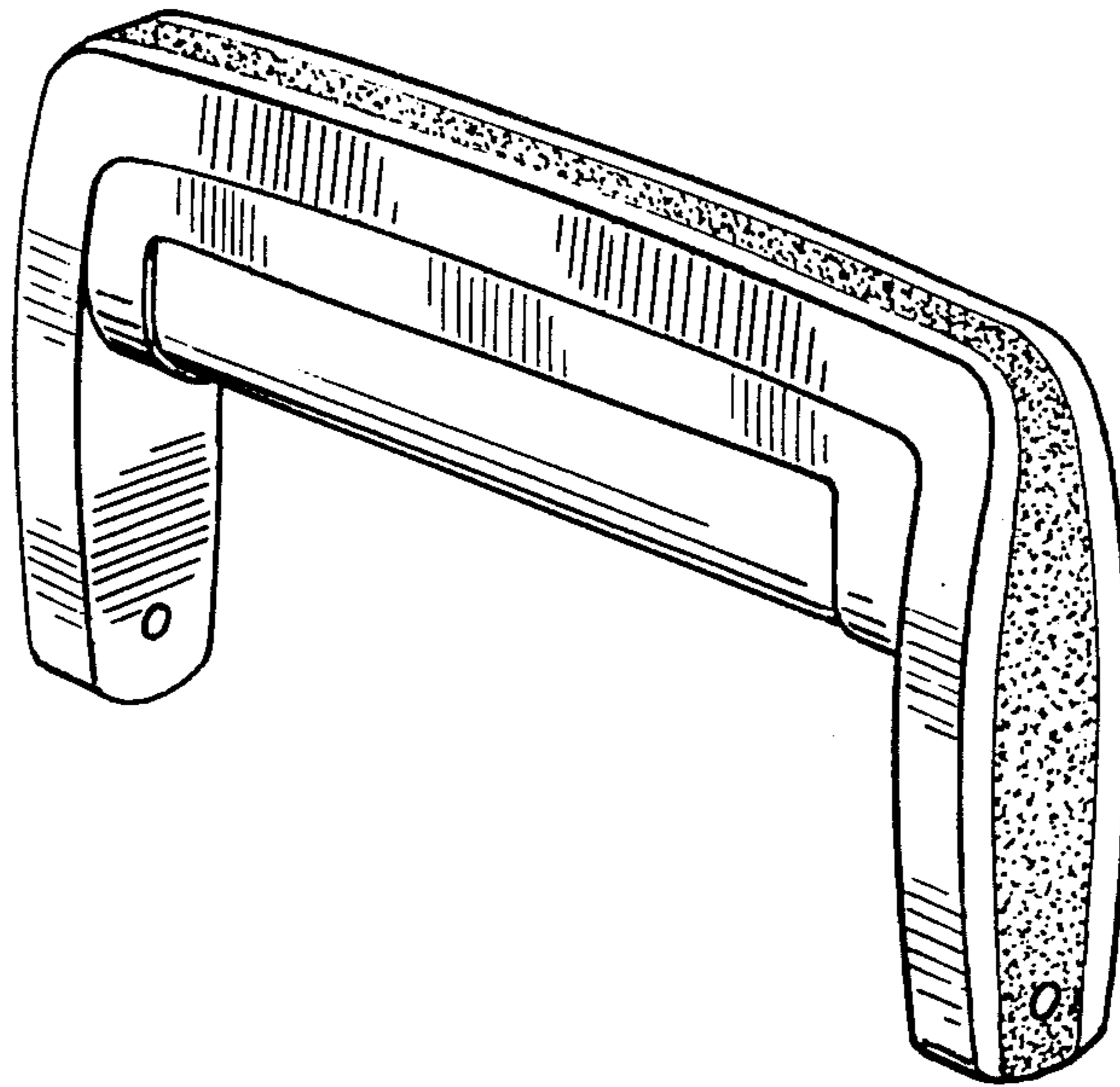


FIG. 1

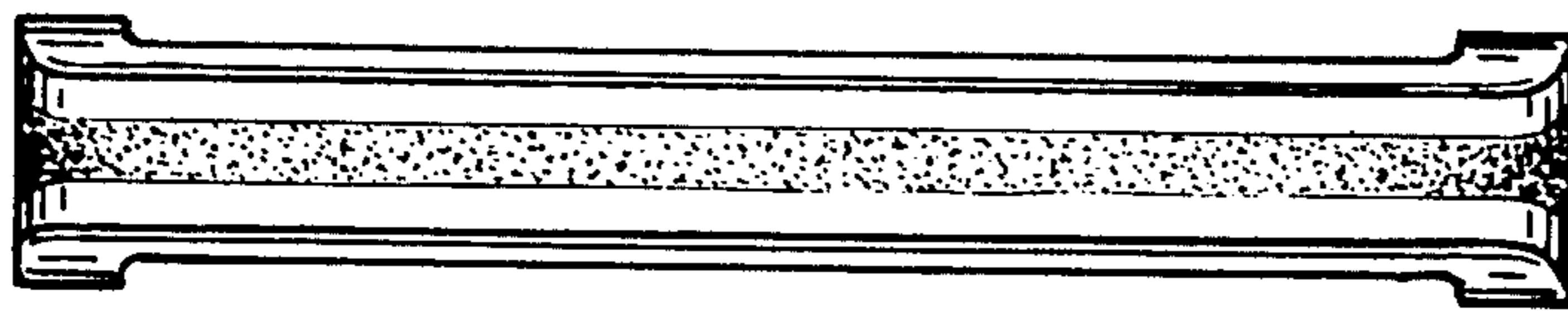


FIG. 3



FIG. 2



FIG. 5

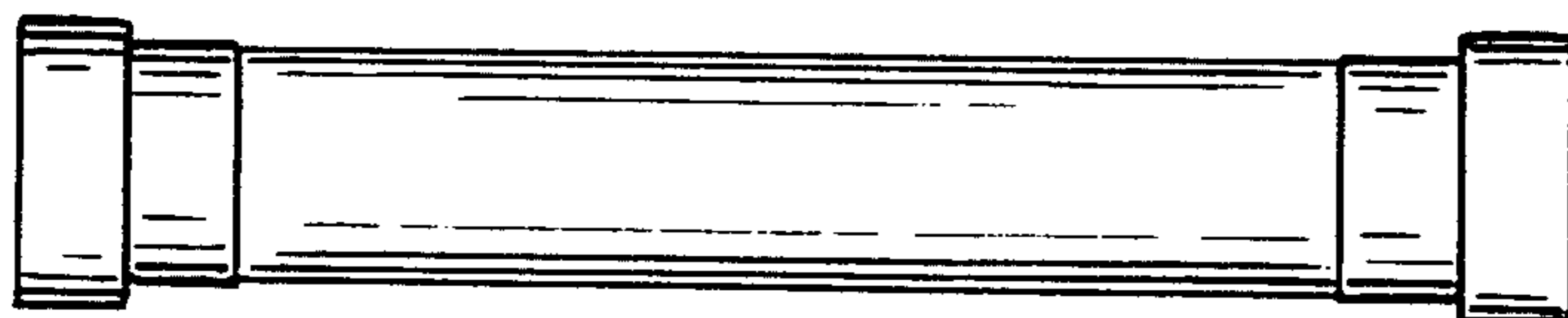


FIG. 4