

[54] STAPLING MACHINE

[75] Inventor: Lars-Göran Rosenblad, Gränna, Sweden

[73] Assignee: Isabergs Verkstads AB, Hestra, Sweden

[**] Term: 14 Years

[21] Appl. No.: 289,228

[22] Filed: Aug. 3, 1981

[30] Foreign Application Priority Data

Mar. 23, 1981 [SE] Sweden 81-0709

[52] U.S. Cl. D8/58

[58] Field of Search D8/48, 49, 61, 36; 227/131, 132

[56] References Cited

U.S. PATENT DOCUMENTS

D. 219,725 1/1971 Sano D8/49
3,423,002 1/1969 Hatazaki et al. D8/49

OTHER PUBLICATIONS

Acco, Cat. No. SC-50-469 ©1969, p. 4, Model AVC.

Primary Examiner—George P. Word
Attorney, Agent, or Firm—Shapiro and Shapiro

[57] CLAIM

The ornamental design for a stapling machine, as shown and described.

DESCRIPTION

FIG. 1 is a left side elevational view of a stapling machine showing my new design, a portion of the conventional power cord being omitted for convenience of illustration;

FIG. 2 is a right side elevational view thereof;

FIG. 3 is a front elevational view thereof;

FIG. 4 is a rear elevational view thereof;

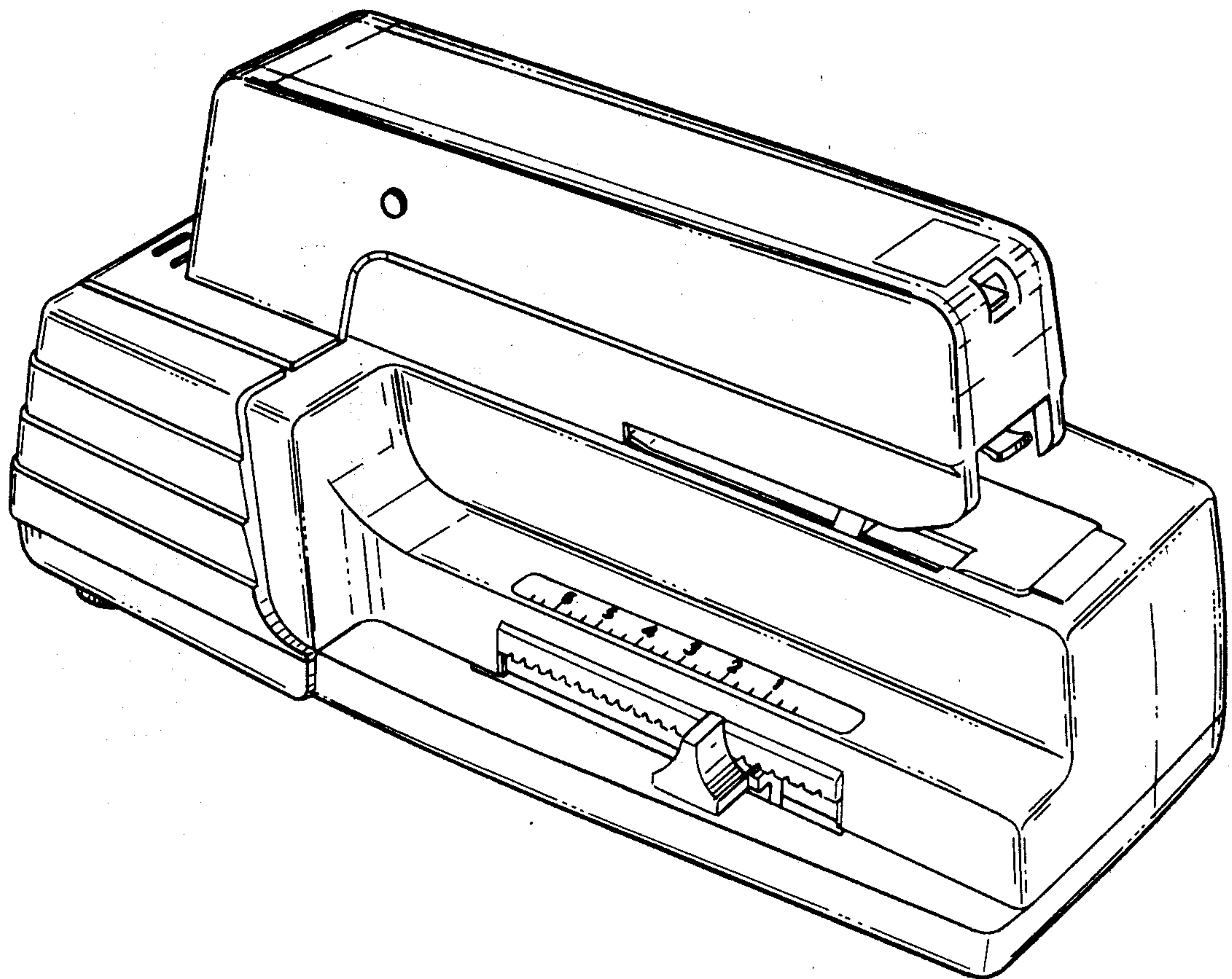
FIG. 5 is a top plan view thereof;

FIG. 6 is a bottom plan view thereof;

FIG. 7 is a left front perspective view thereof;

FIG. 8 is a right rear perspective view thereof; and

FIG. 9 is an inverted bottom perspective view thereof.



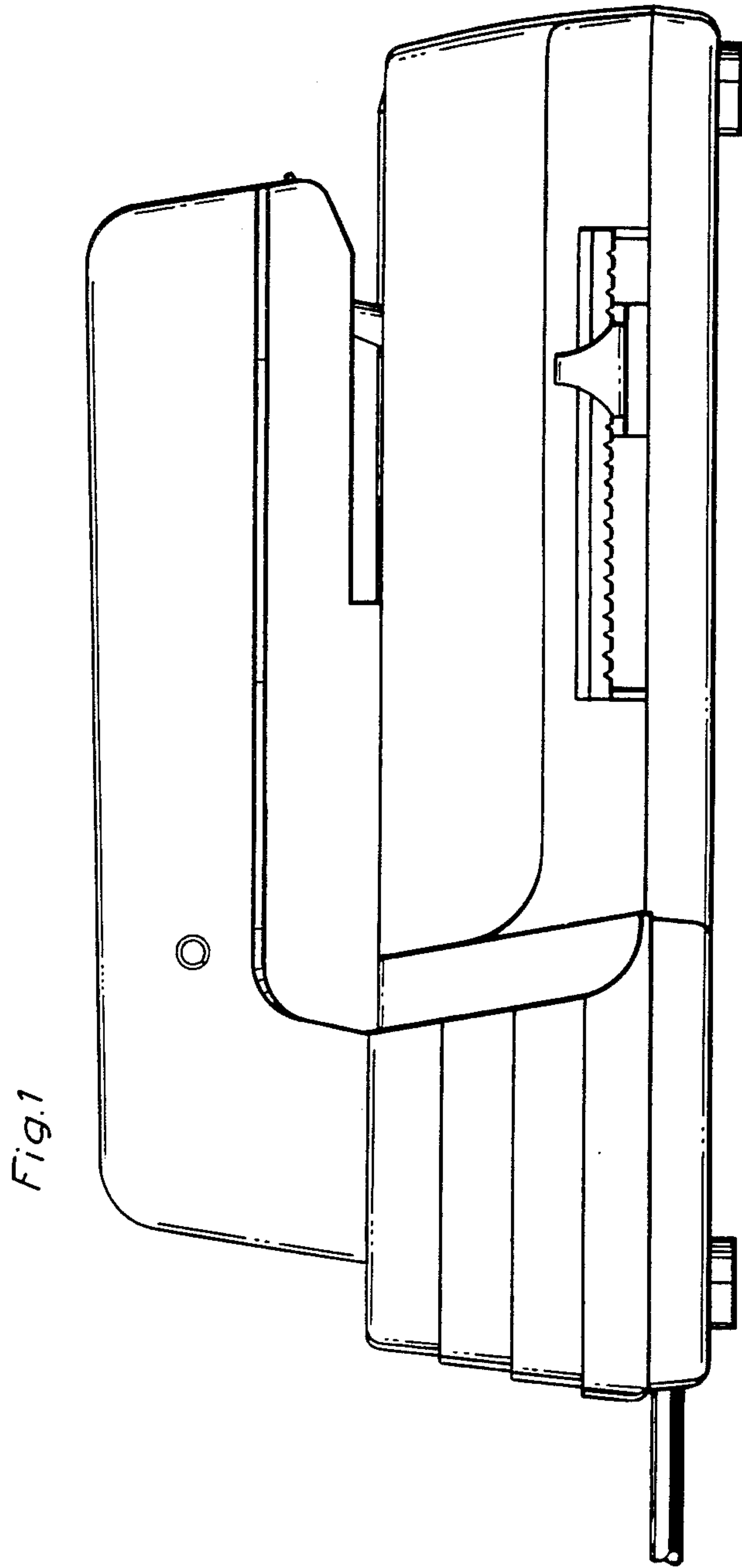


Fig.2

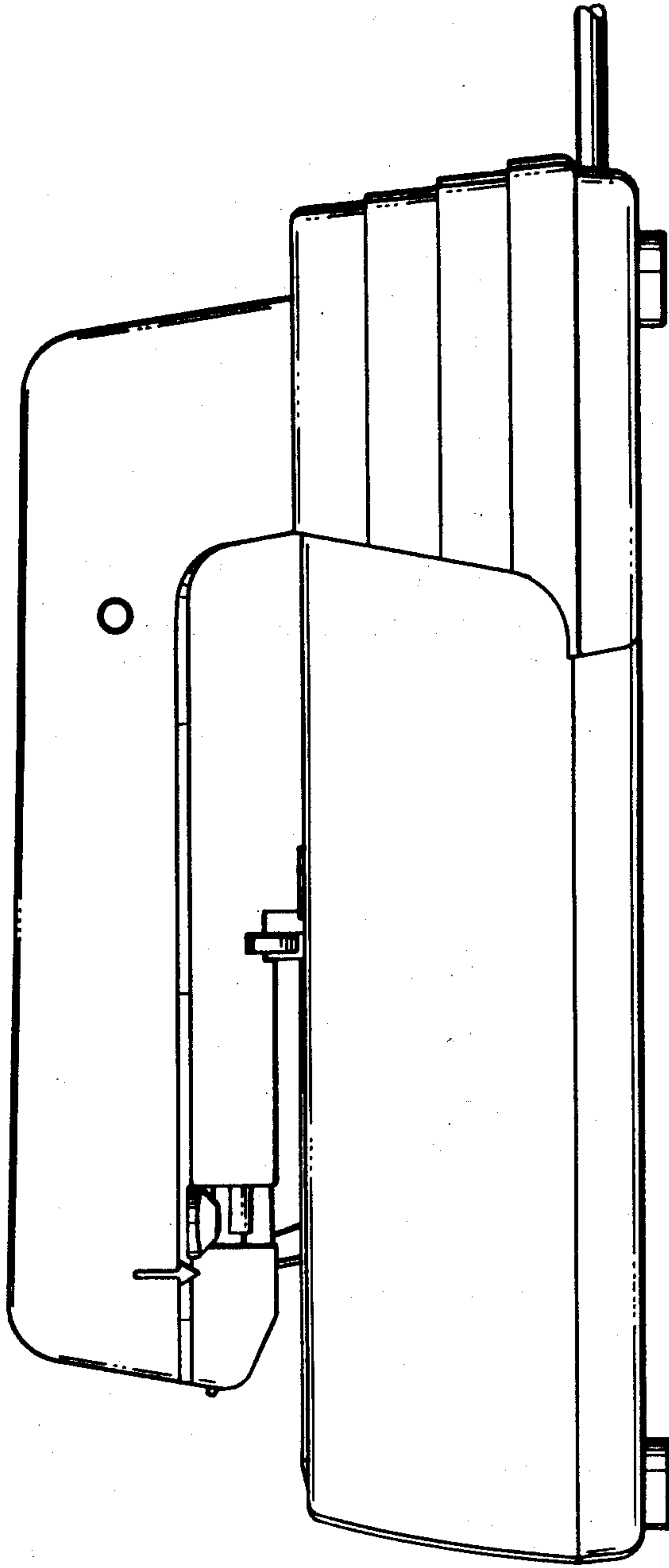


Fig. 3

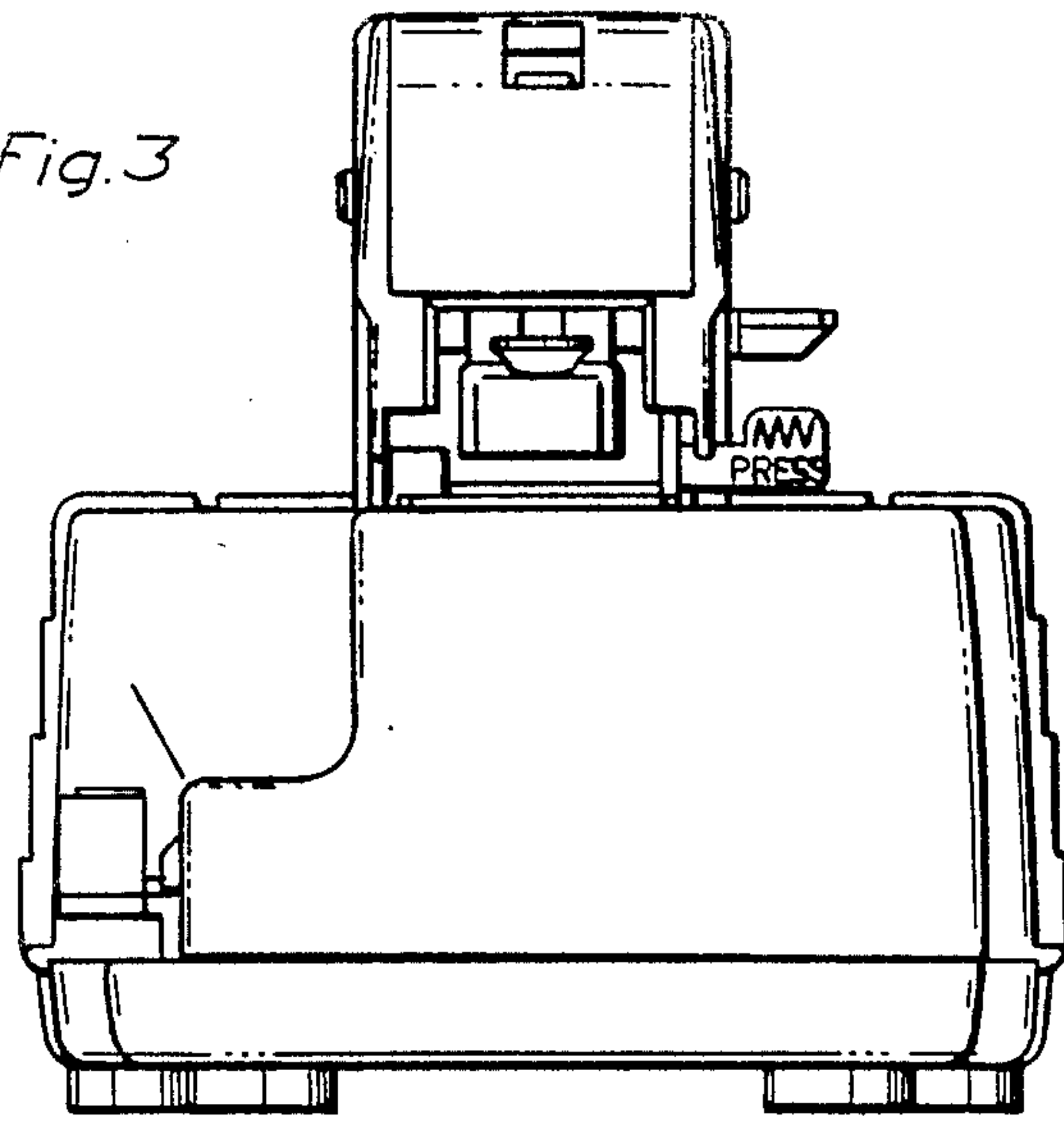


Fig. 4

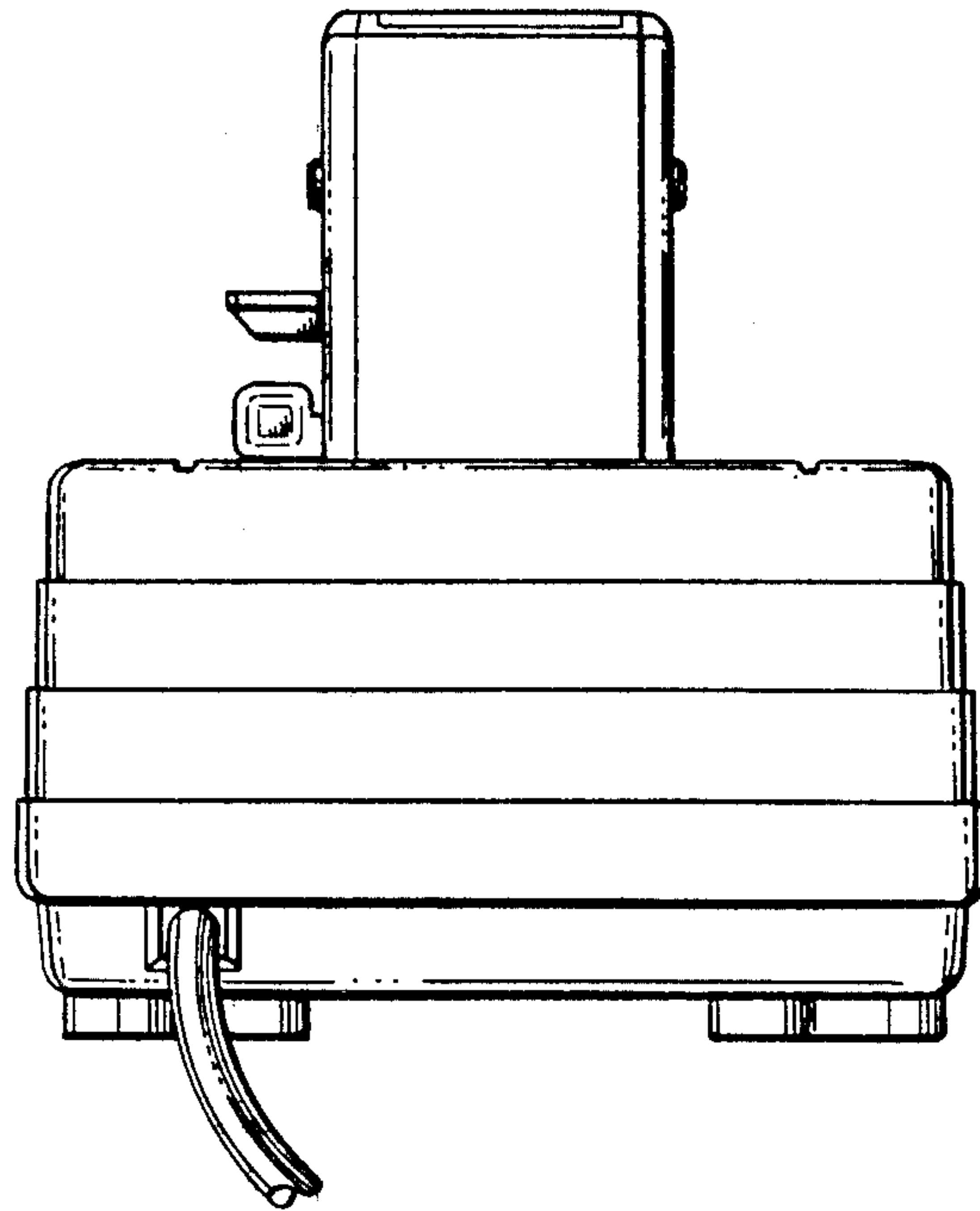


Fig.5

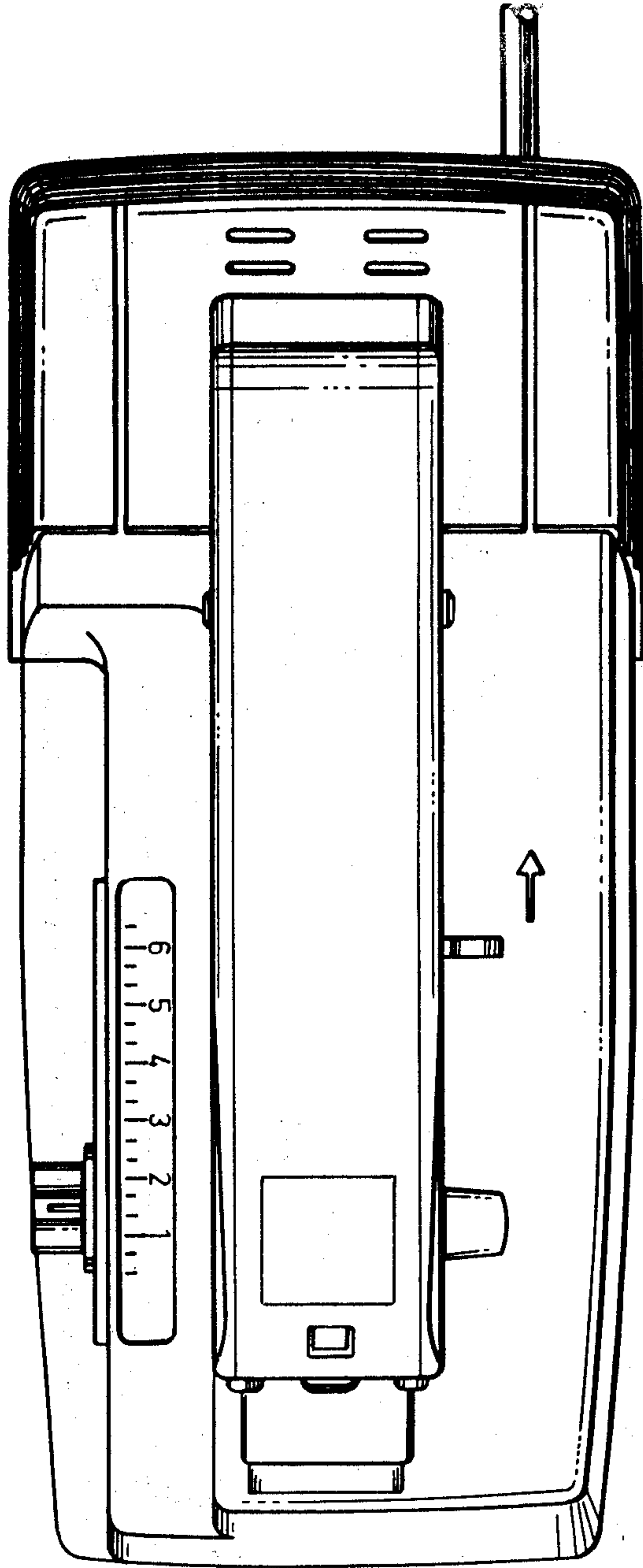
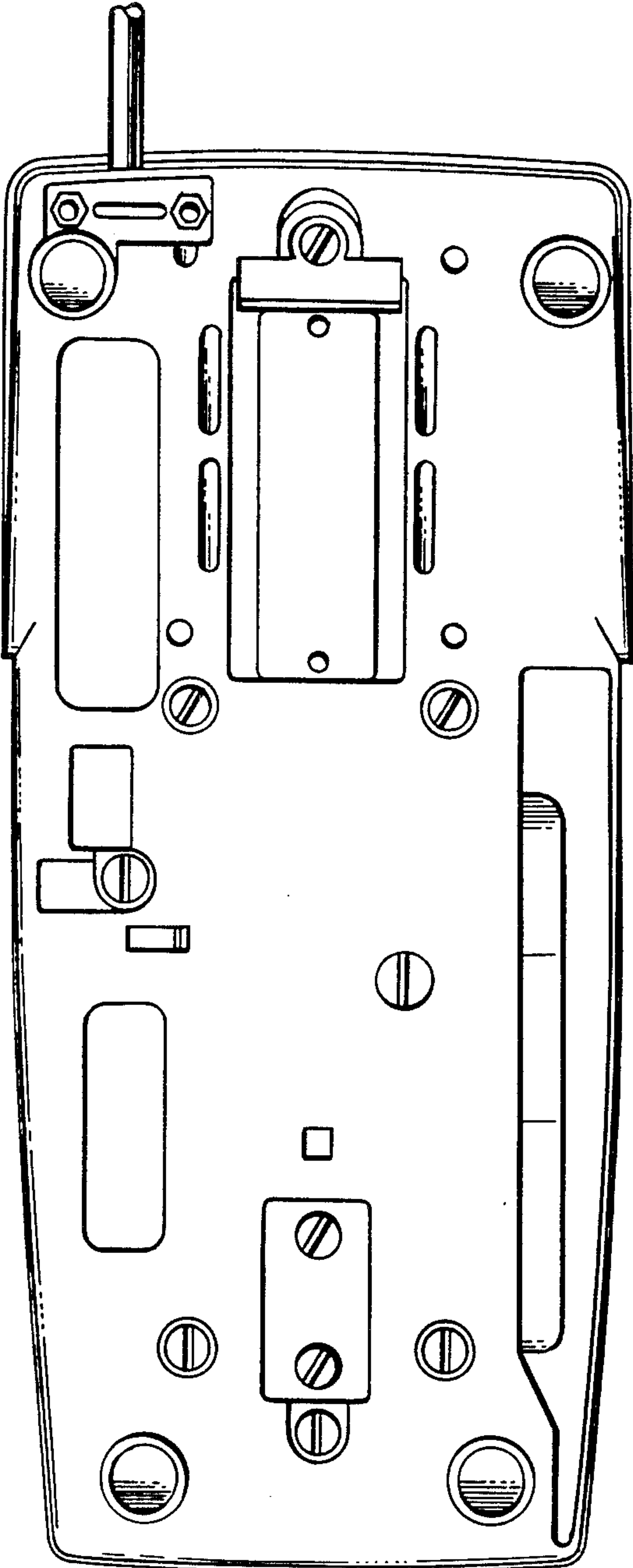
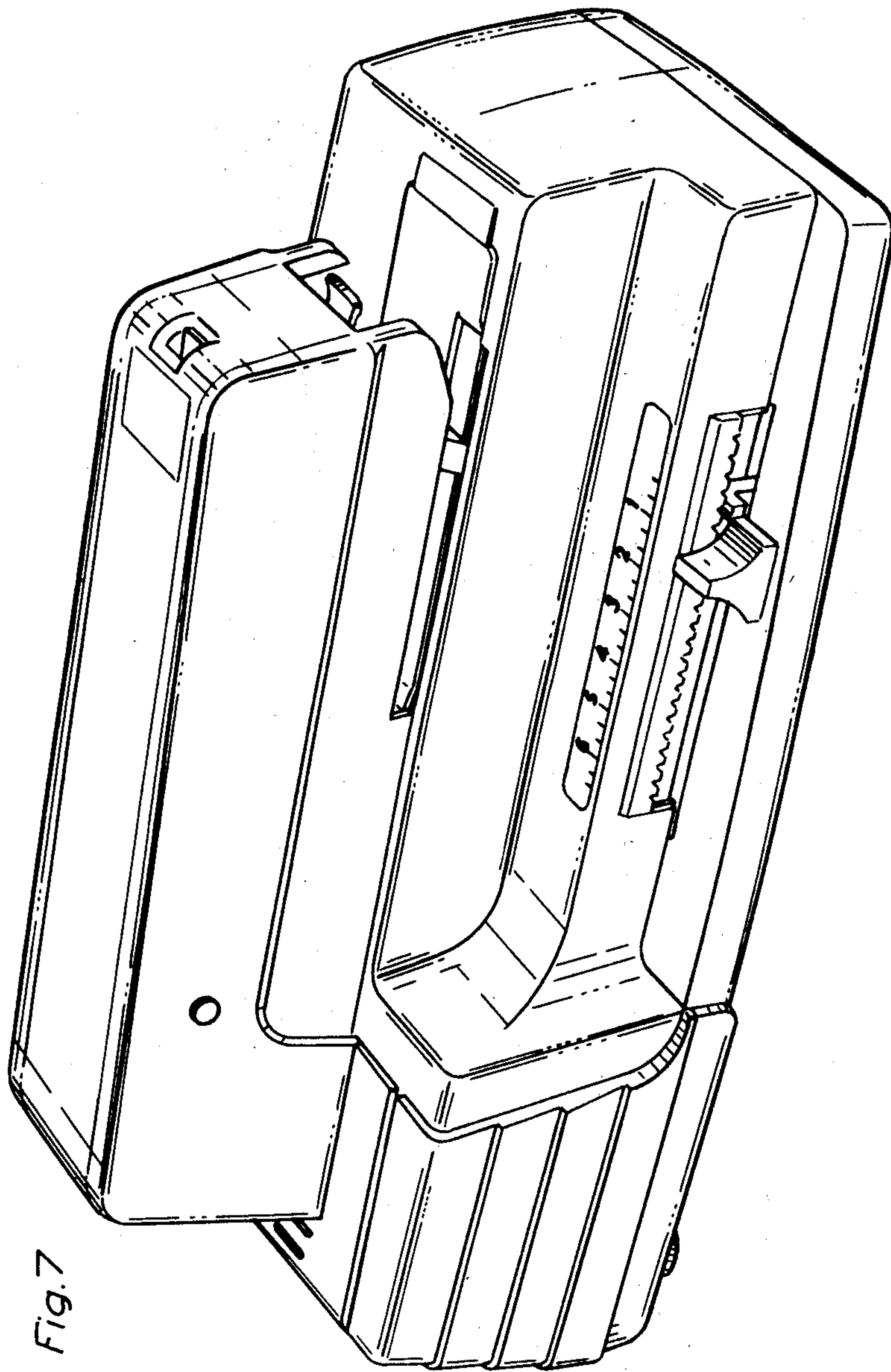


Fig.6





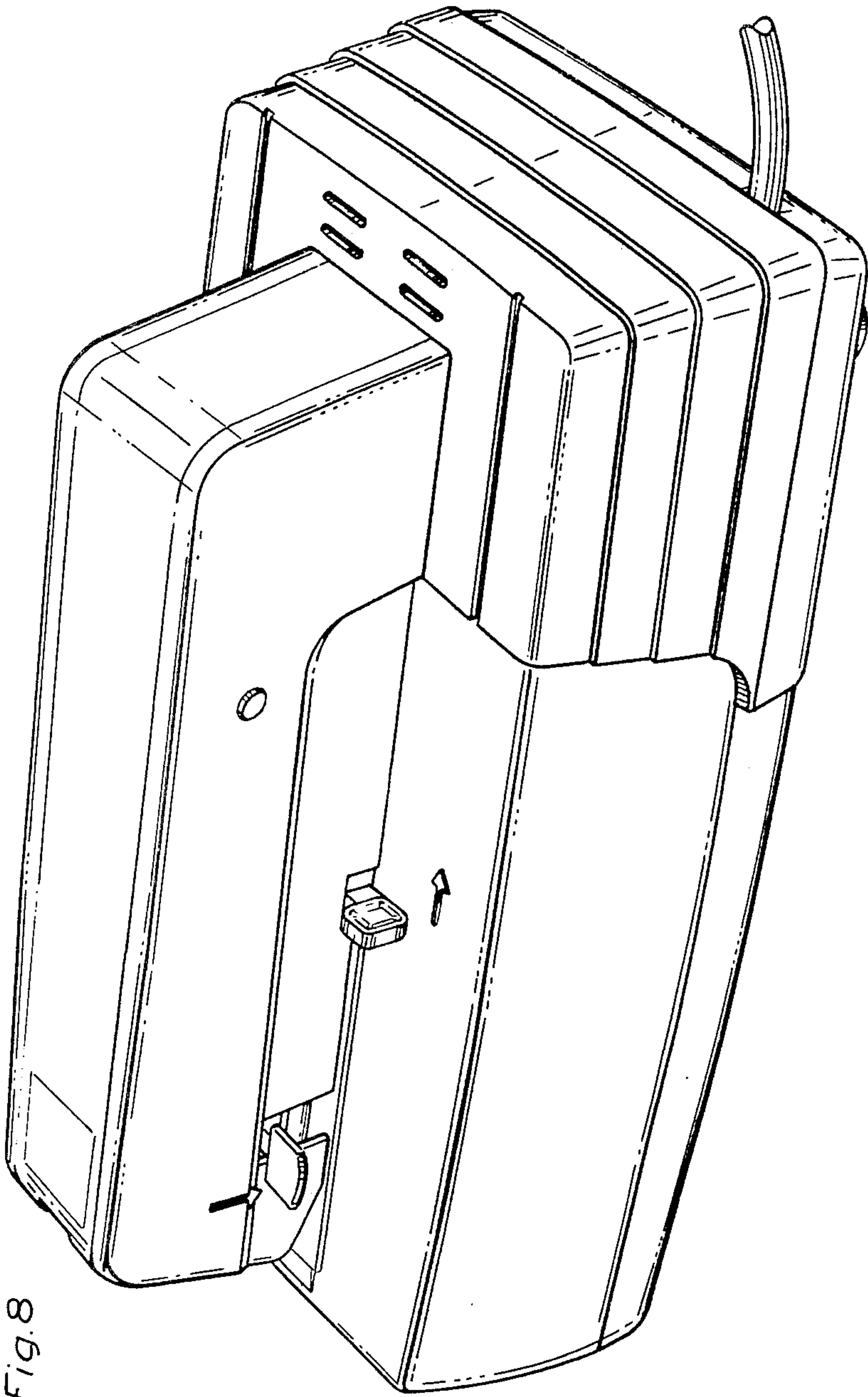


Fig. 8

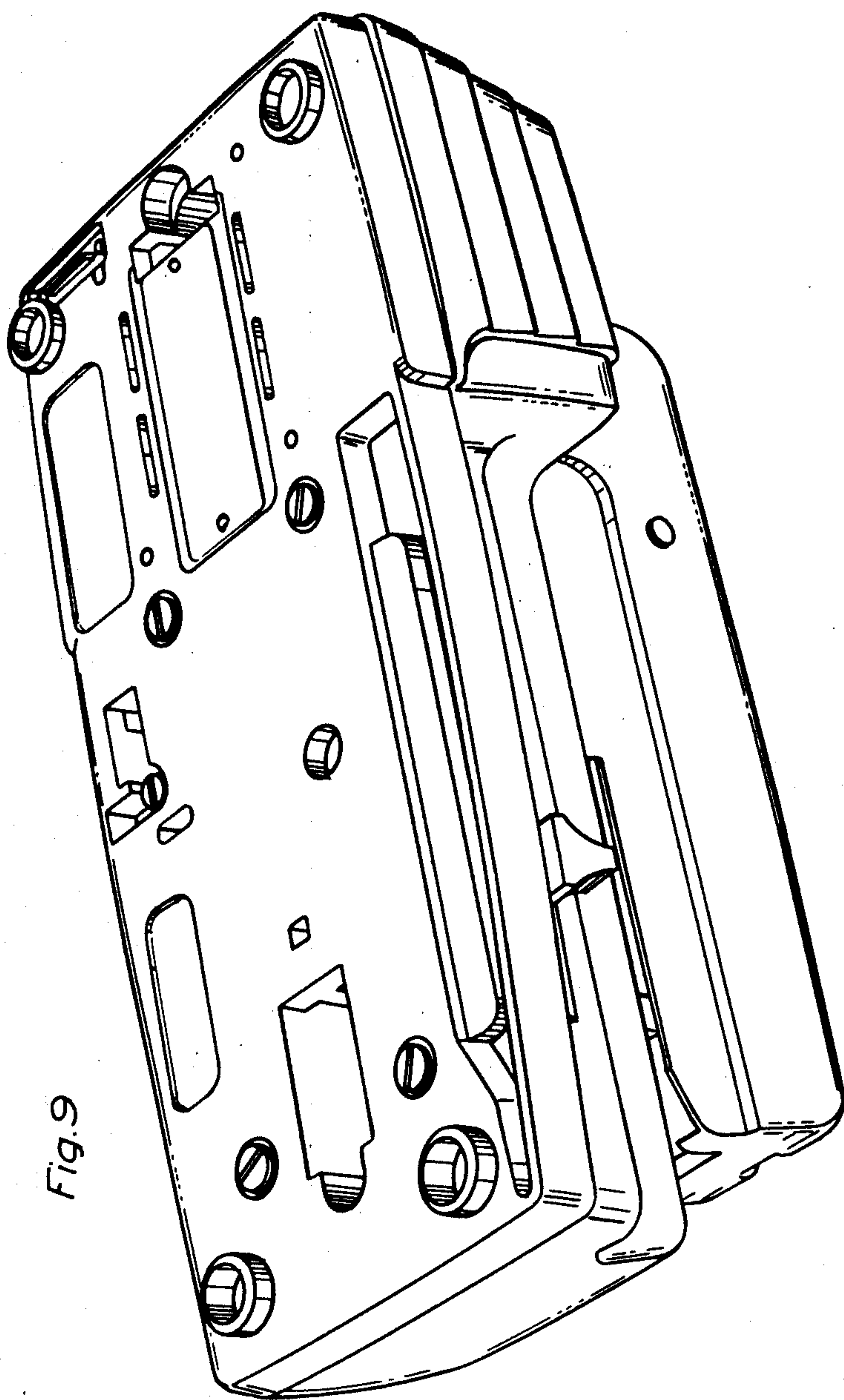


Fig. 9