

[54] COOKING GRILL OR SIMILAR ARTICLE

3,404,672 10/1968 Arntz et al. 126/25 A
3,583,385 6/1971 Beller 126/25 A

[75] Inventors: Craig R. Thomas; Robert J. Thomas,
both of Cherokee, Iowa

Primary Examiner—Wallace R. Burke
Assistant Examiner—Lynn Wilder
Attorney, Agent, or Firm—Zarley, McKee, Thomte,
Voorhees & Sease

[73] Assignee: R. J. Thomas Manufacturing Co.,
Cherokee, Iowa

[**] Term: 14 Years

[57] CLAIM

[21] Appl. No.: 350,986

The ornamental design for a cooking grill or similar
article, substantially as described and shown.

[22] Filed: Feb. 22, 1982

DESCRIPTION

[52] U.S. Cl. D7/335

[58] Field of Search D7/332-337;
126/9 R, 9 A, 9 B, 25 R, 25 A, 25 AA, 25 B, 25
C, 29, 30

FIG. 1 is a top plan view of a cooking grill showing our
new design;

FIG. 2 is a perspective view thereof;

FIG. 3 is a front elevational view thereof;

FIG. 4 is a side elevational view thereof, the other side
being a mirror image;

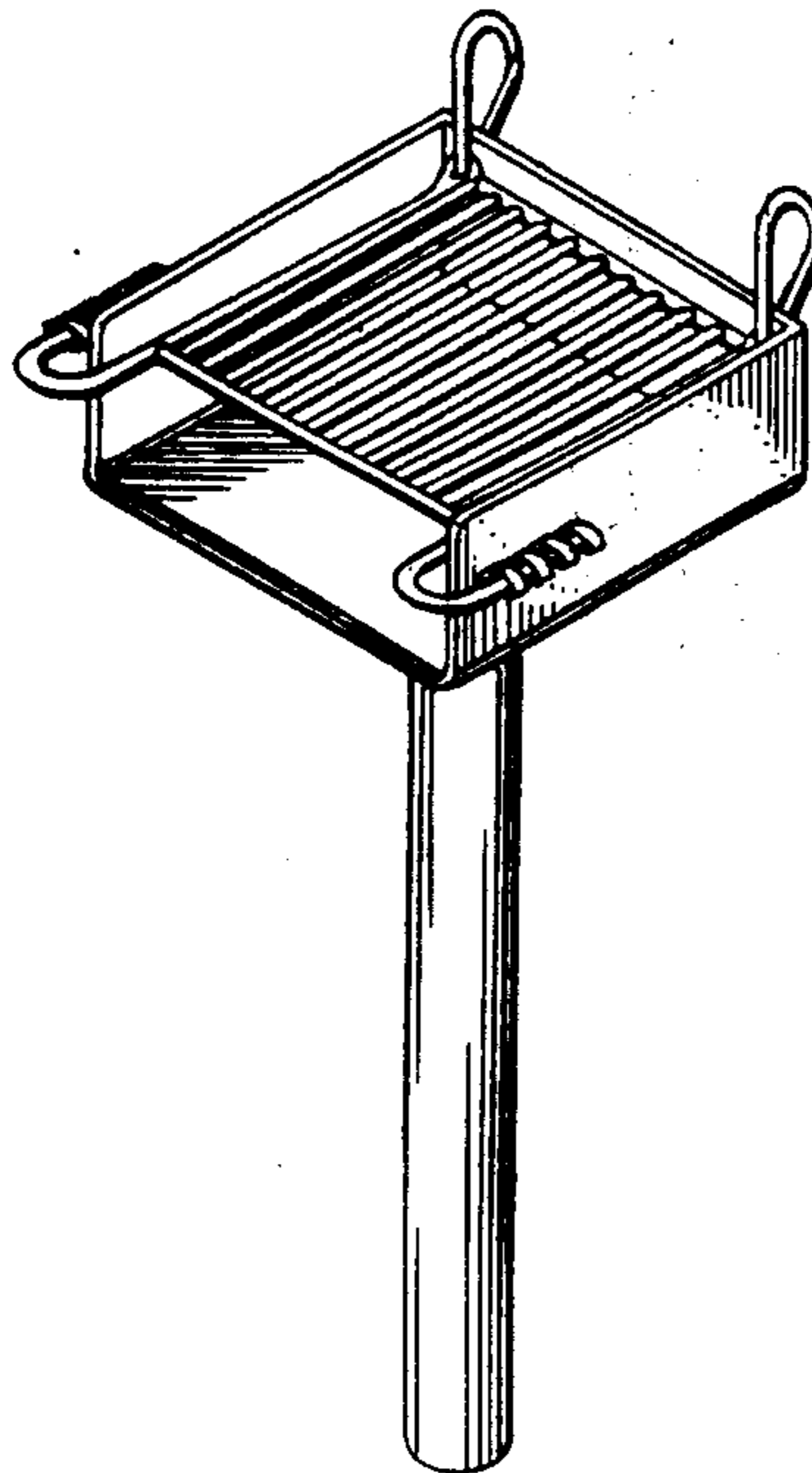
FIG. 5 is a side elevational view thereof with the grate
in a raised position; and

FIG. 6 is a side elevational view thereof with the grate
in an upright position.

[56] References Cited

U.S. PATENT DOCUMENTS

- D. 215,630 10/1969 Koziol D7/335
- D. 254,118 2/1980 Shaneour D7/332
- 3,119,387 1/1964 Beller 126/25 A



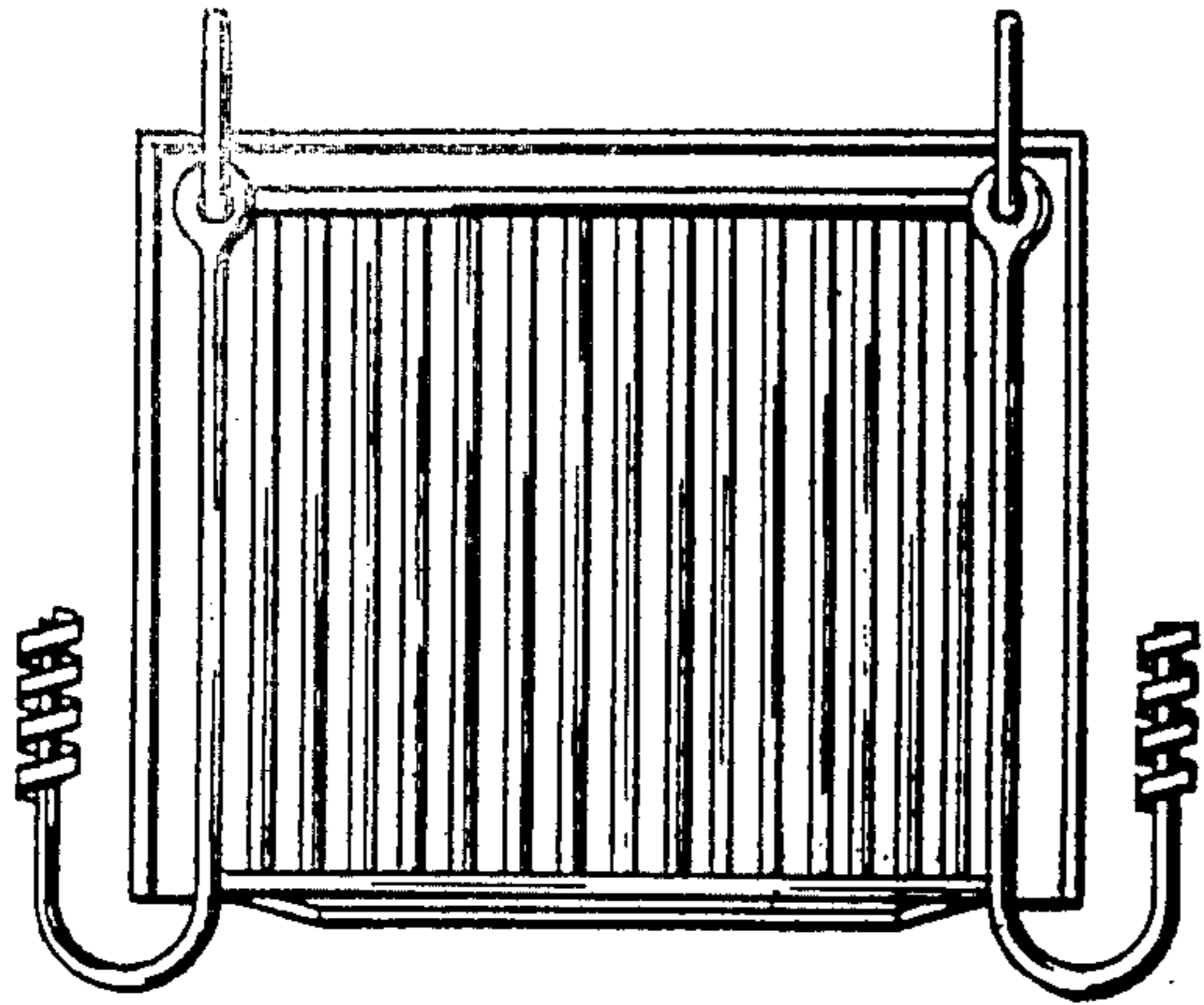


Fig. 1

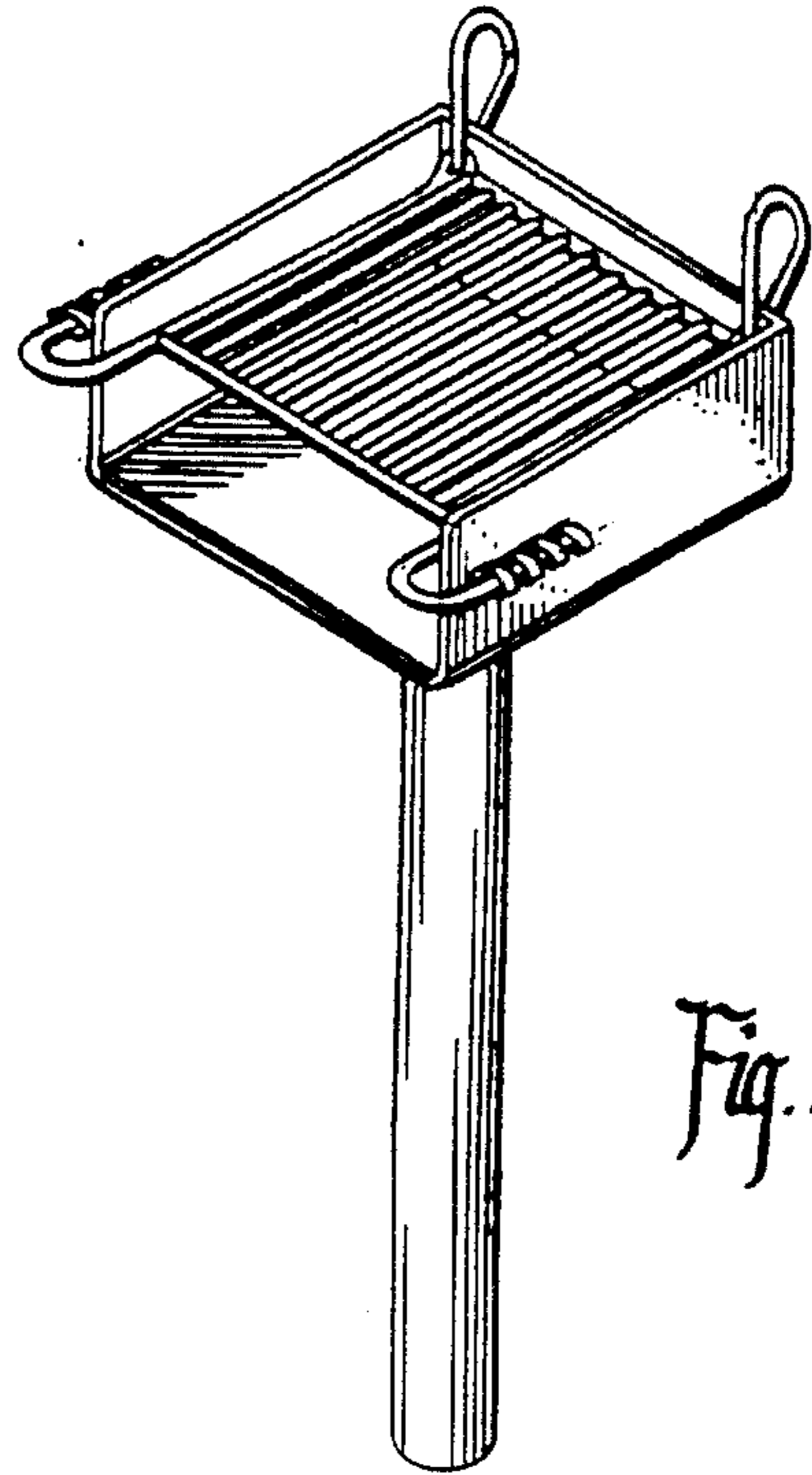


Fig. 2

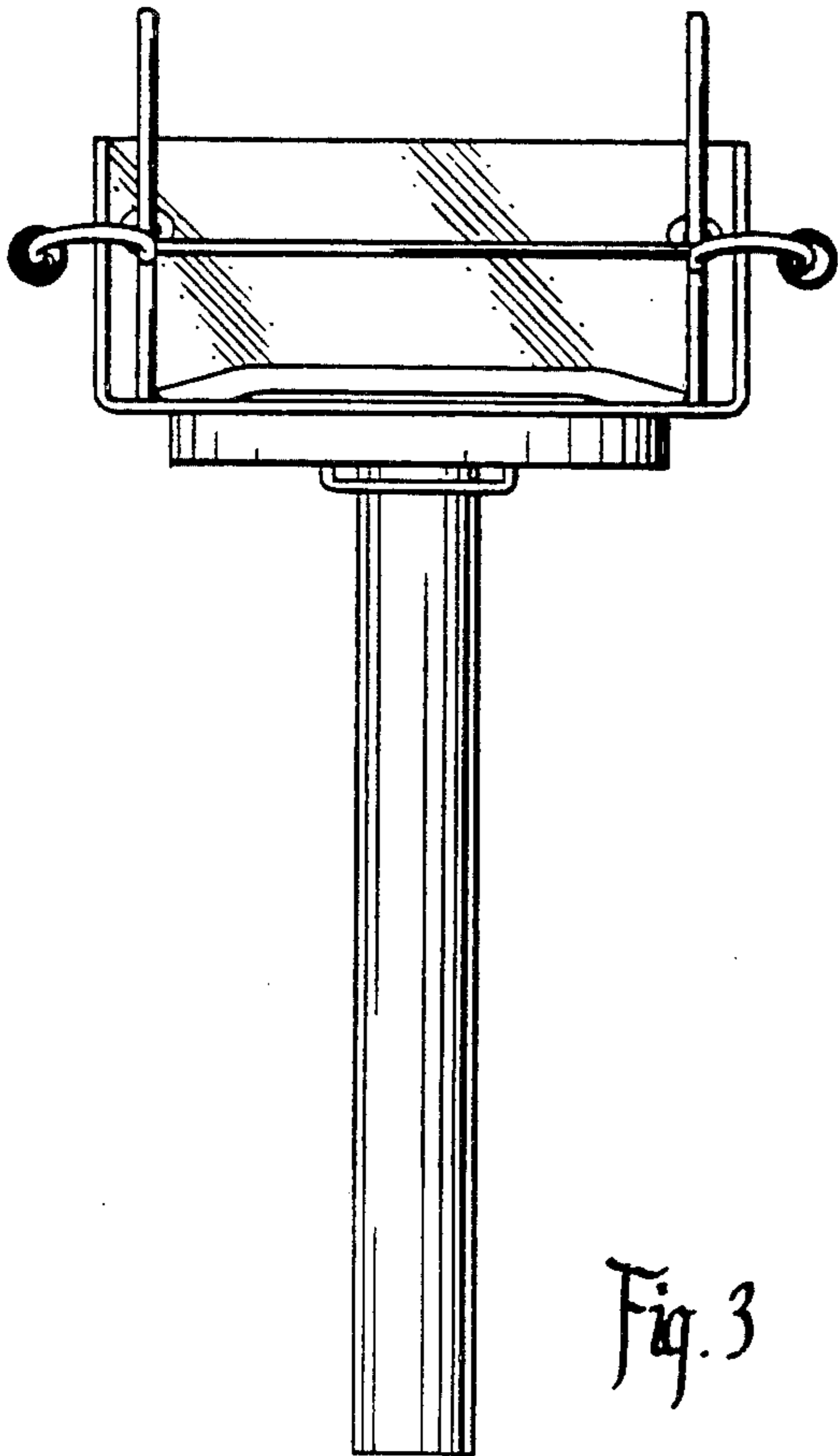


Fig. 3

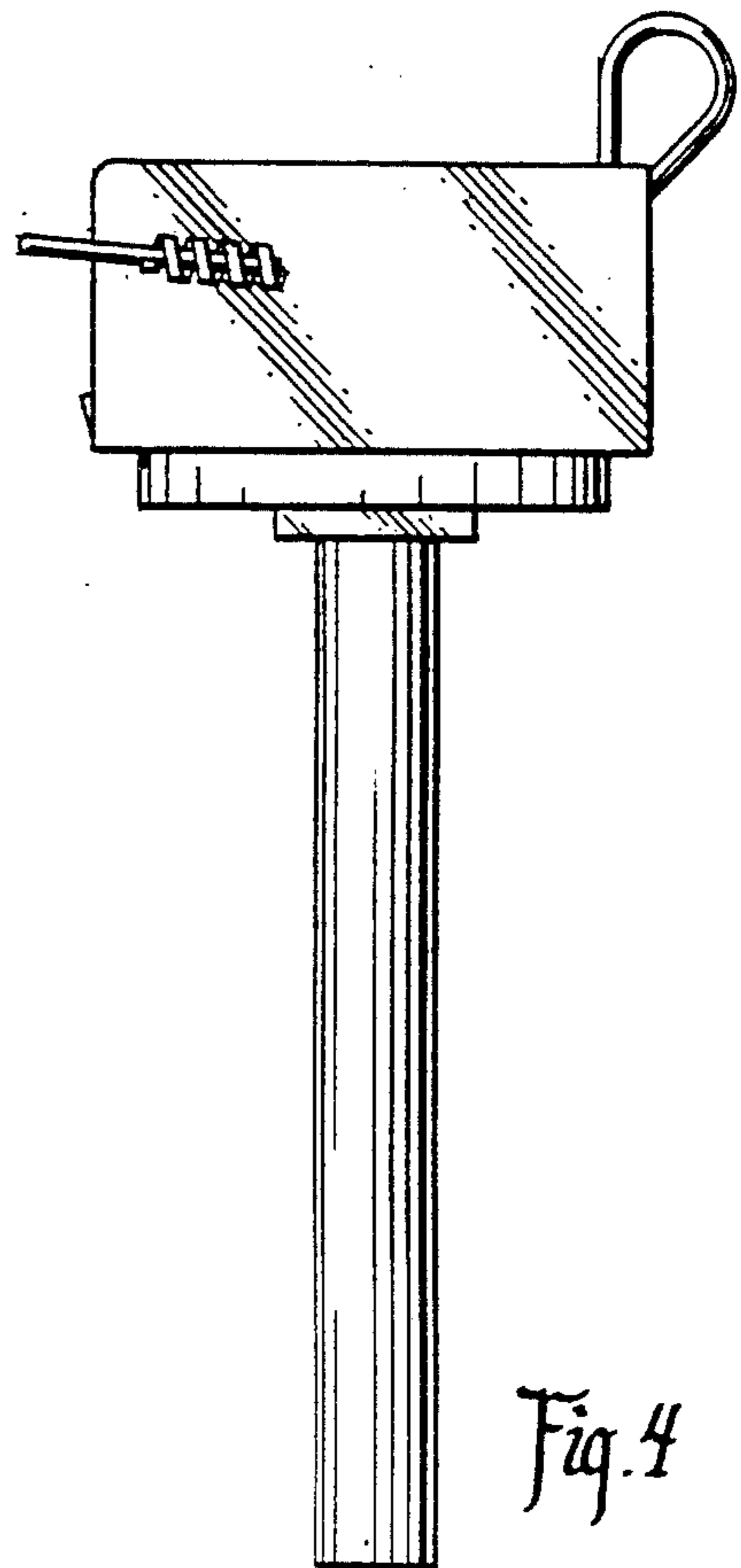


Fig. 4

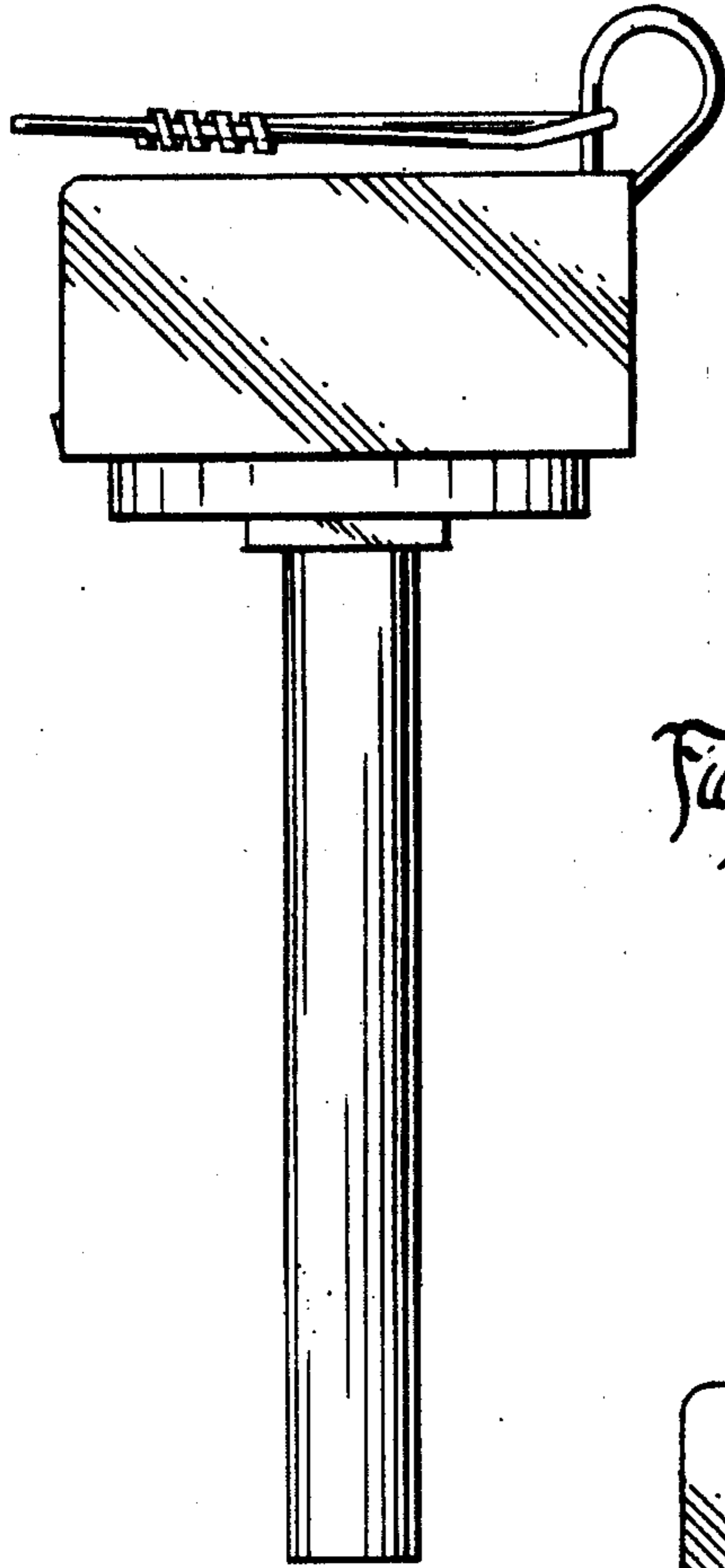


Fig. 5

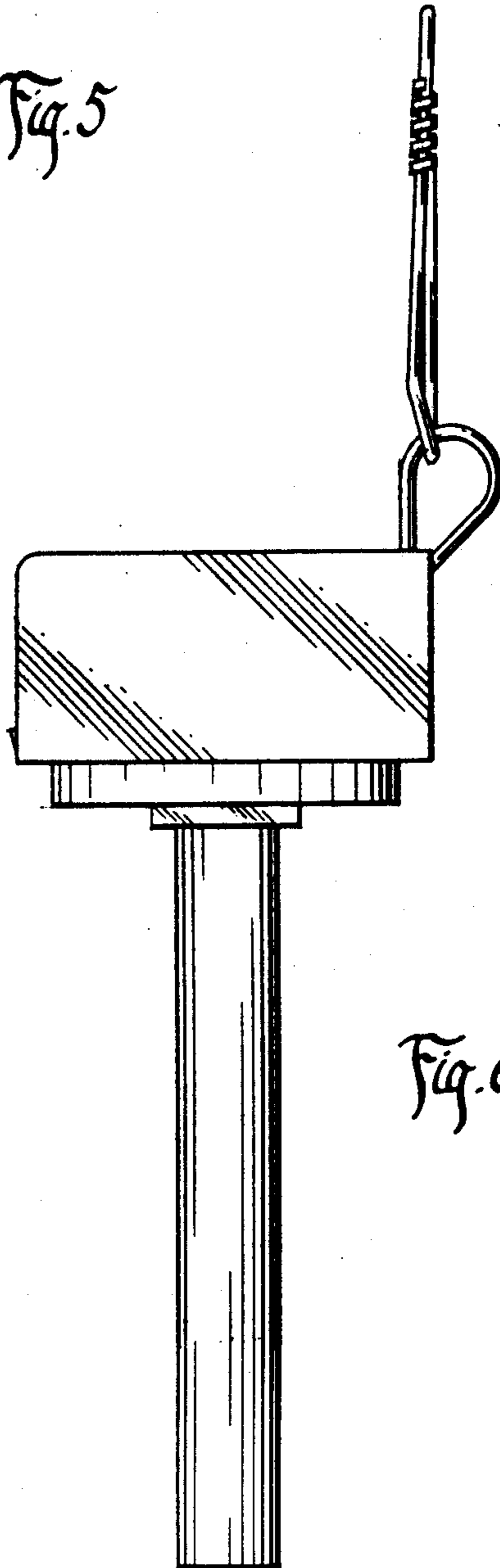


Fig. 6