

[54] CHAIR

[75] Inventors: Emilio Ambasz, New York, N.Y.; Giancarlo Piretti, Bologna, Italy

[73] Assignee: Center for Design Research and Development NV, Curacao, Netherlands Antilles

[**] Term: 14 Years

[21] Appl. No.: 250,606

[22] Filed: Apr. 3, 1981

[30] Foreign Application Priority Data

Oct. 6, 1980 [DE] Fed. Rep. of Germany 1037/80

[52] U.S. Cl. D6/375; D6/379; D6/380

[58] Field of Search D6/26, 30, 31, 78; 297/248, 285, 286, 300, 304, 306

[56] References Cited

U.S. PATENT DOCUMENTS

4,046,422 9/1977 Ambasz 297/248
4,157,203 6/1979 Ambasz 297/300

OTHER PUBLICATIONS

Interiors, Feb. 1979, p. 62, Chair by American Seating. Domus, Dec. 1979, Supplementary Issue, p. 25, Tablet Arm lower left center.

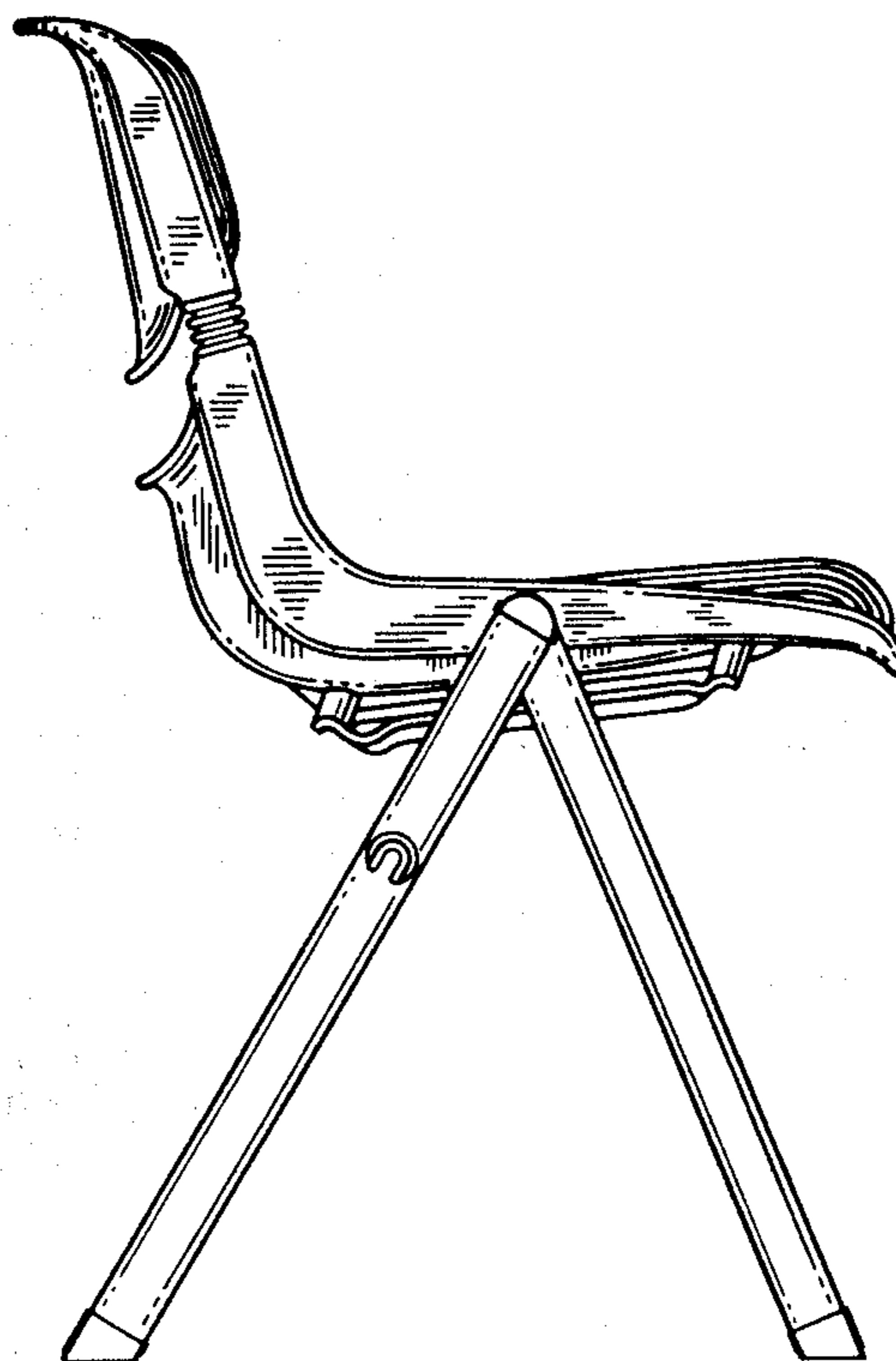
Primary Examiner—Bruce W. Dunkins
Attorney, Agent, or Firm—Brumbaugh, Graves, Donohue & Raymond

[57] CLAIM

The ornamental design for a chair, as shown and described.

DESCRIPTION

FIG. 1 is a front elevational view of a first embodiment of a chair incorporating our new design; FIG. 2 is a side elevational view of the first embodiment; FIG. 3 is a top view of the first embodiment; FIG. 4 is a bottom view of the first embodiment; FIG. 5 is a rear elevational view of the first embodiment; FIG. 6 is a front elevational view of a second embodiment of a chair incorporating our new design; FIG. 7 is a side elevational view of the second embodiment; FIG. 8 is a top view of the second embodiment; FIG. 9 is a bottom view of the second embodiment; and FIG. 10 is a rear elevational view of the second embodiment.



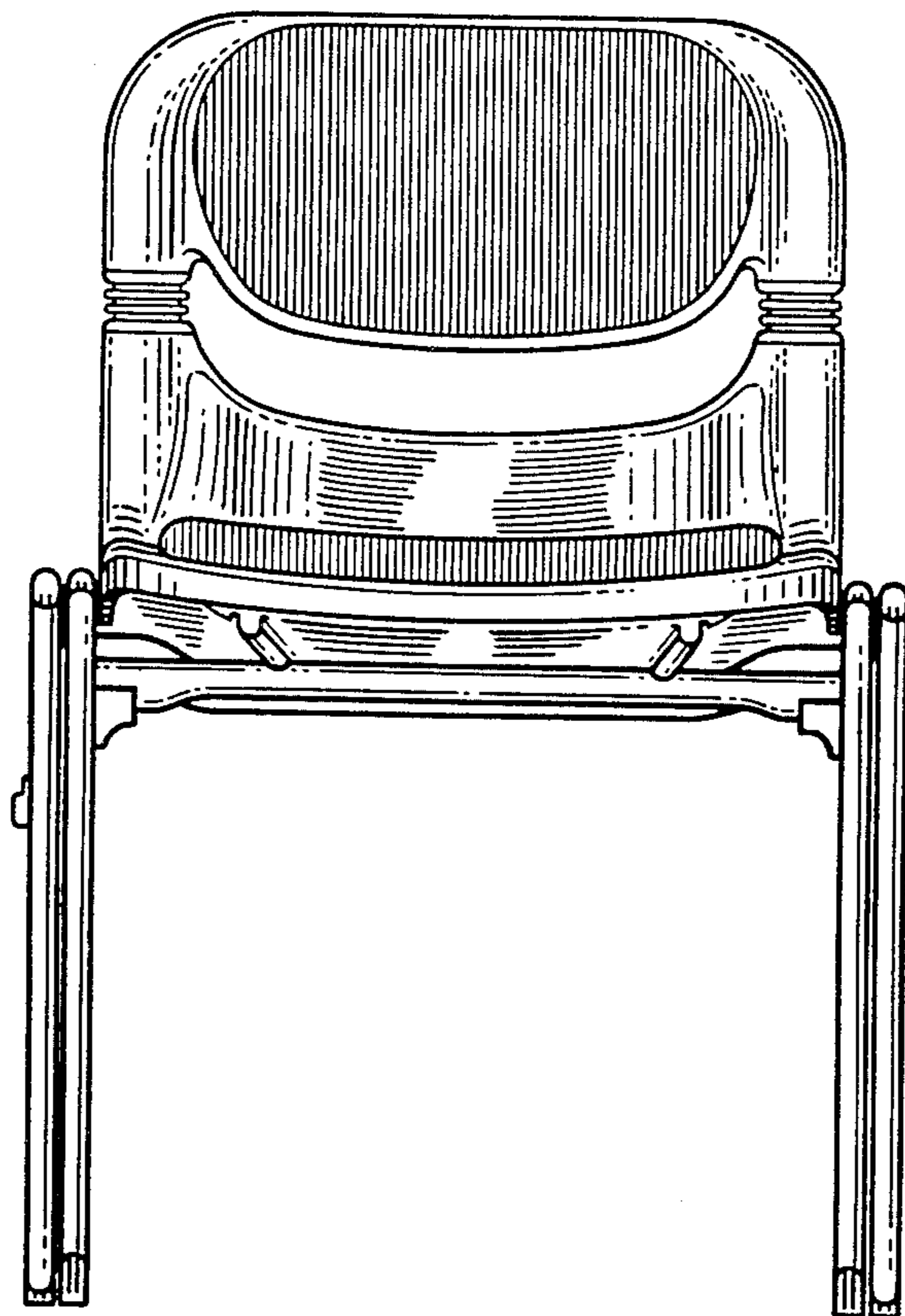


FIG. 1

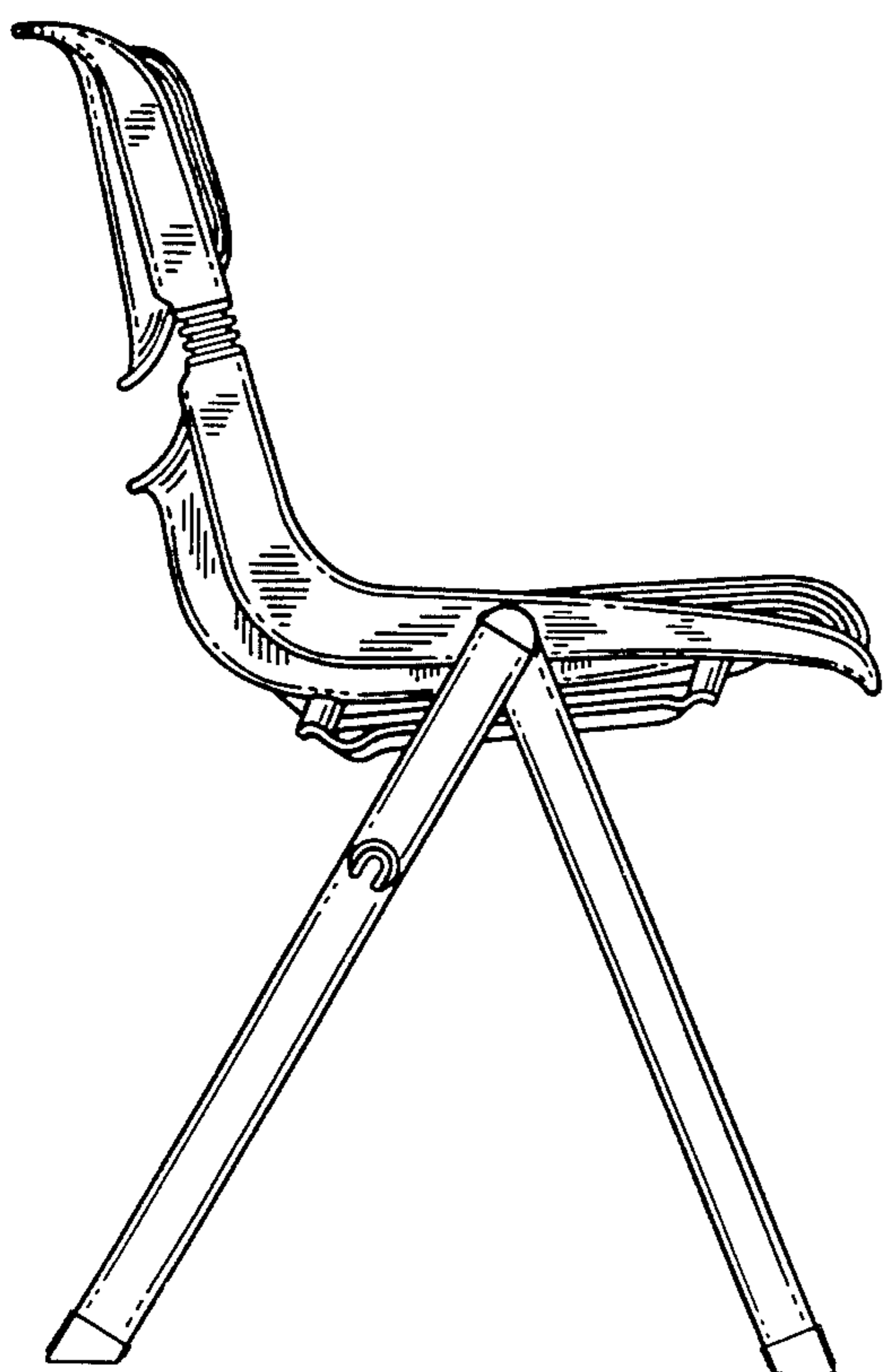


FIG. 2

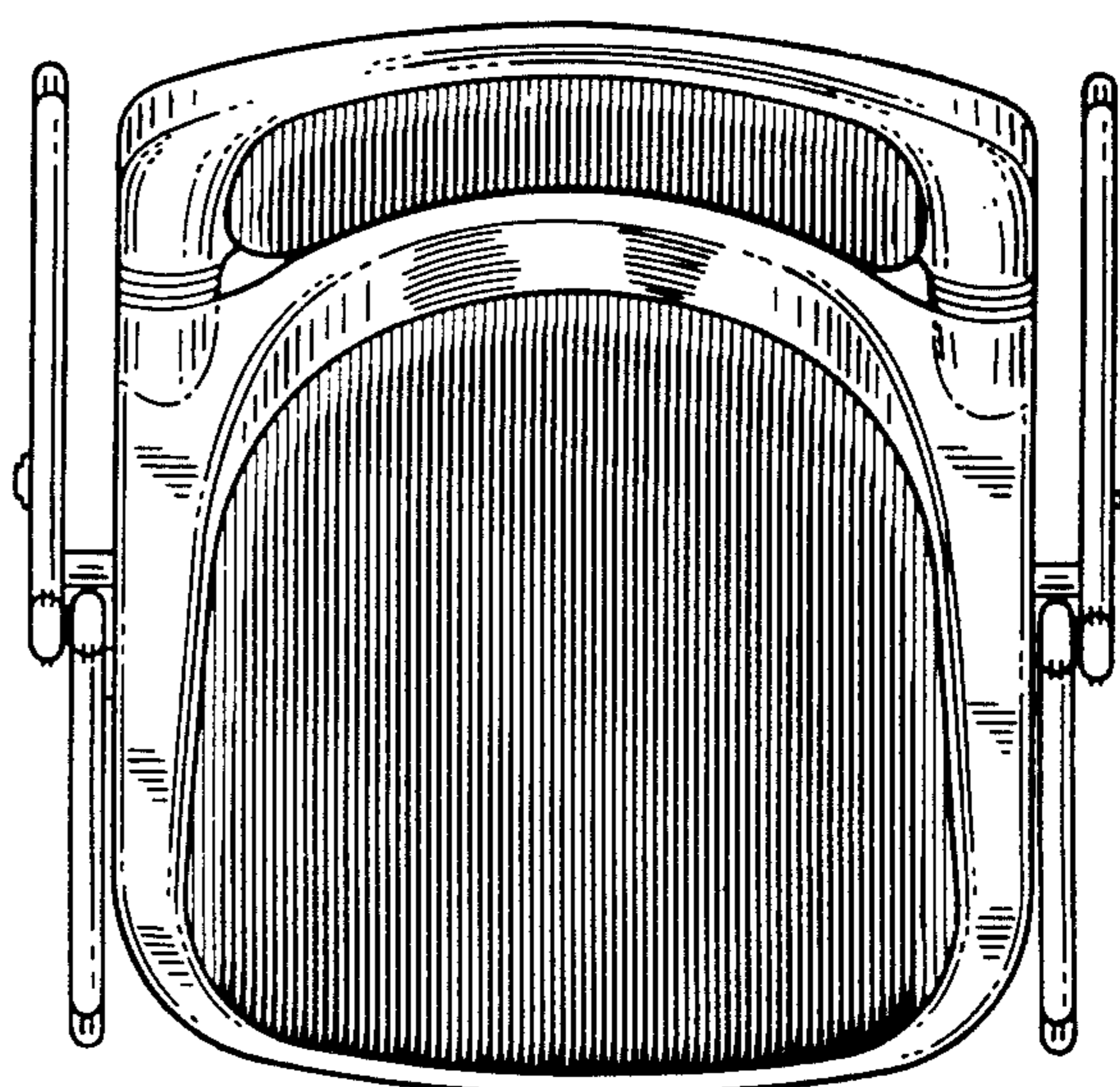


FIG. 3

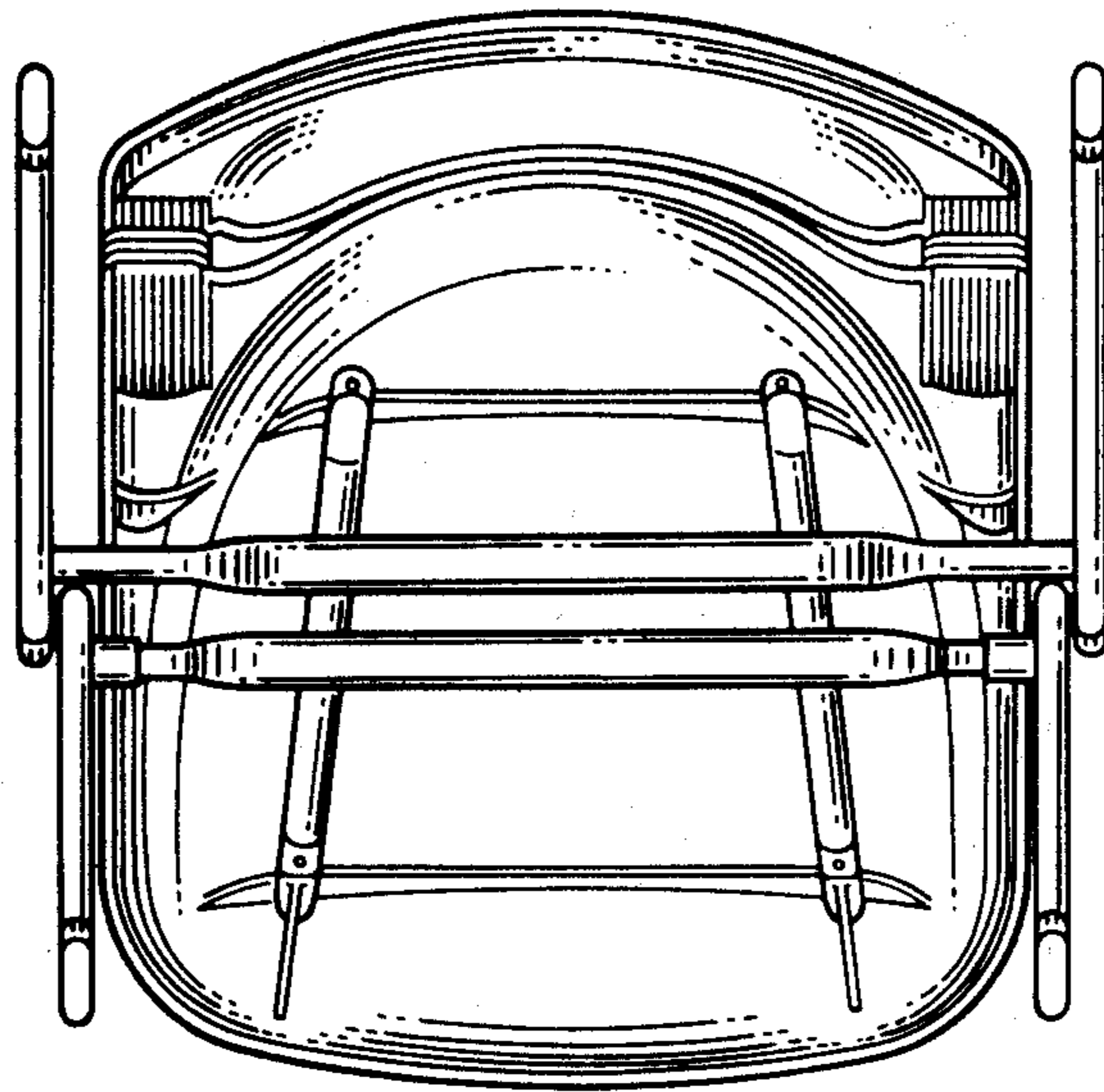


FIG. 4

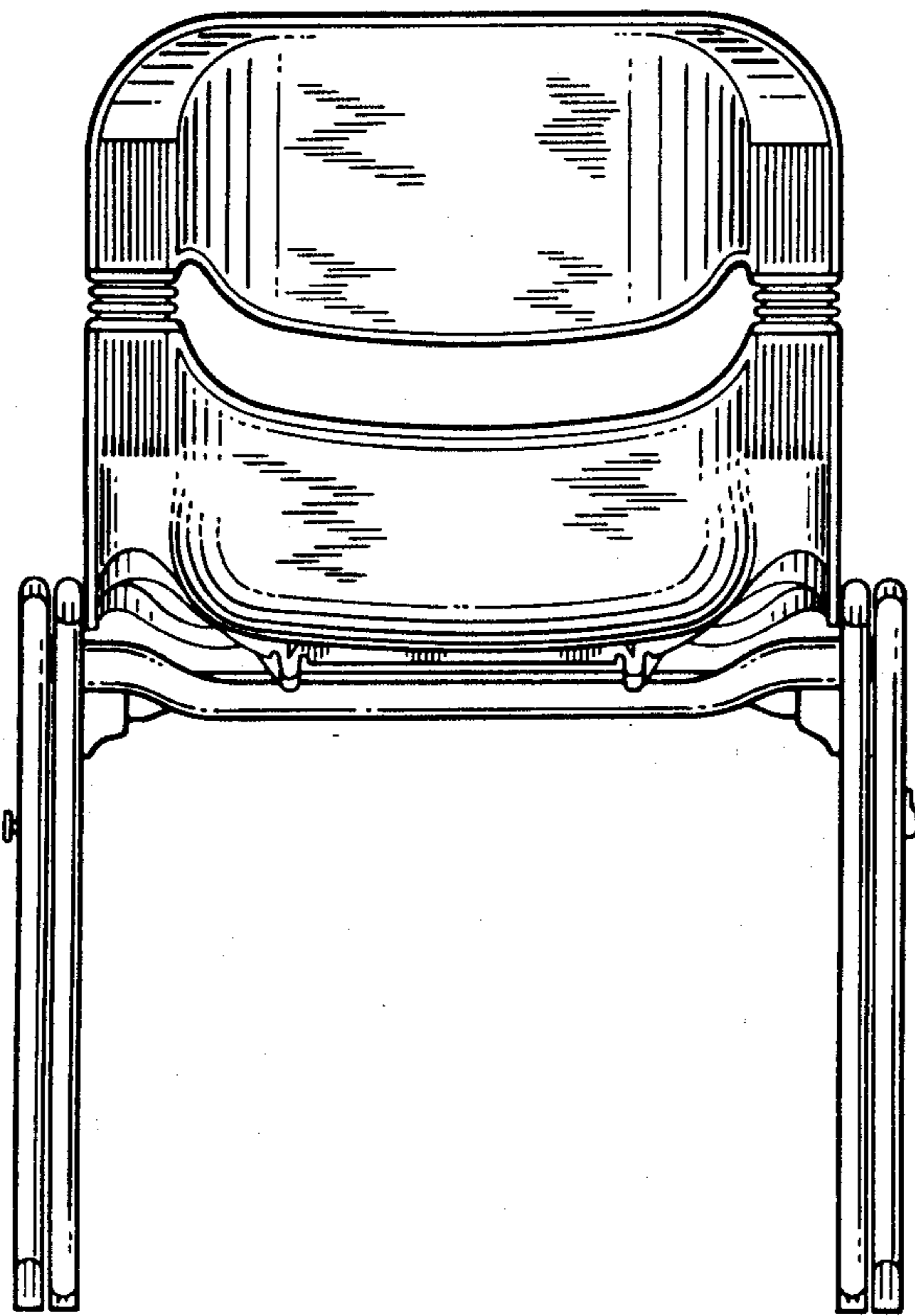


FIG. 5

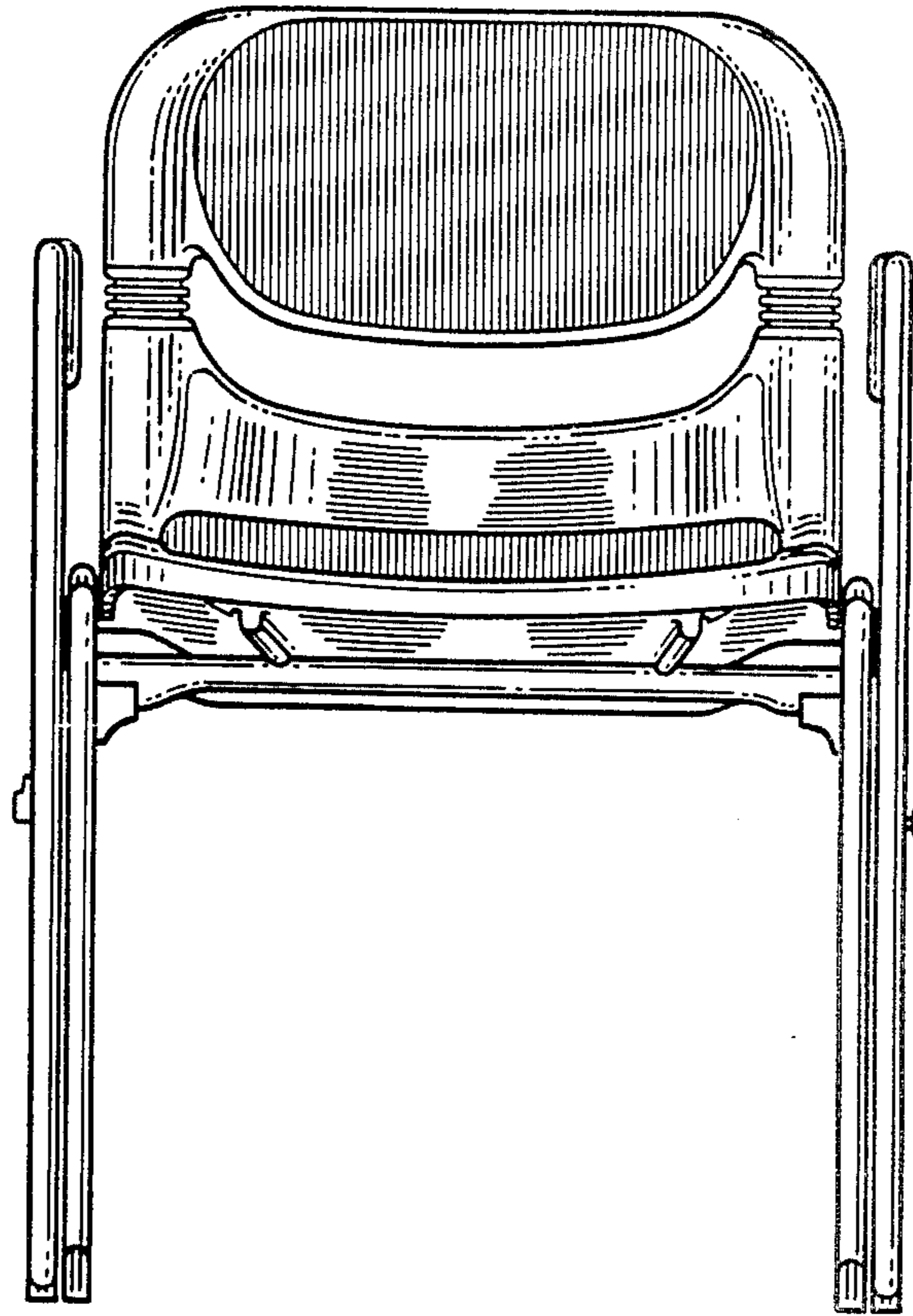


FIG. 6

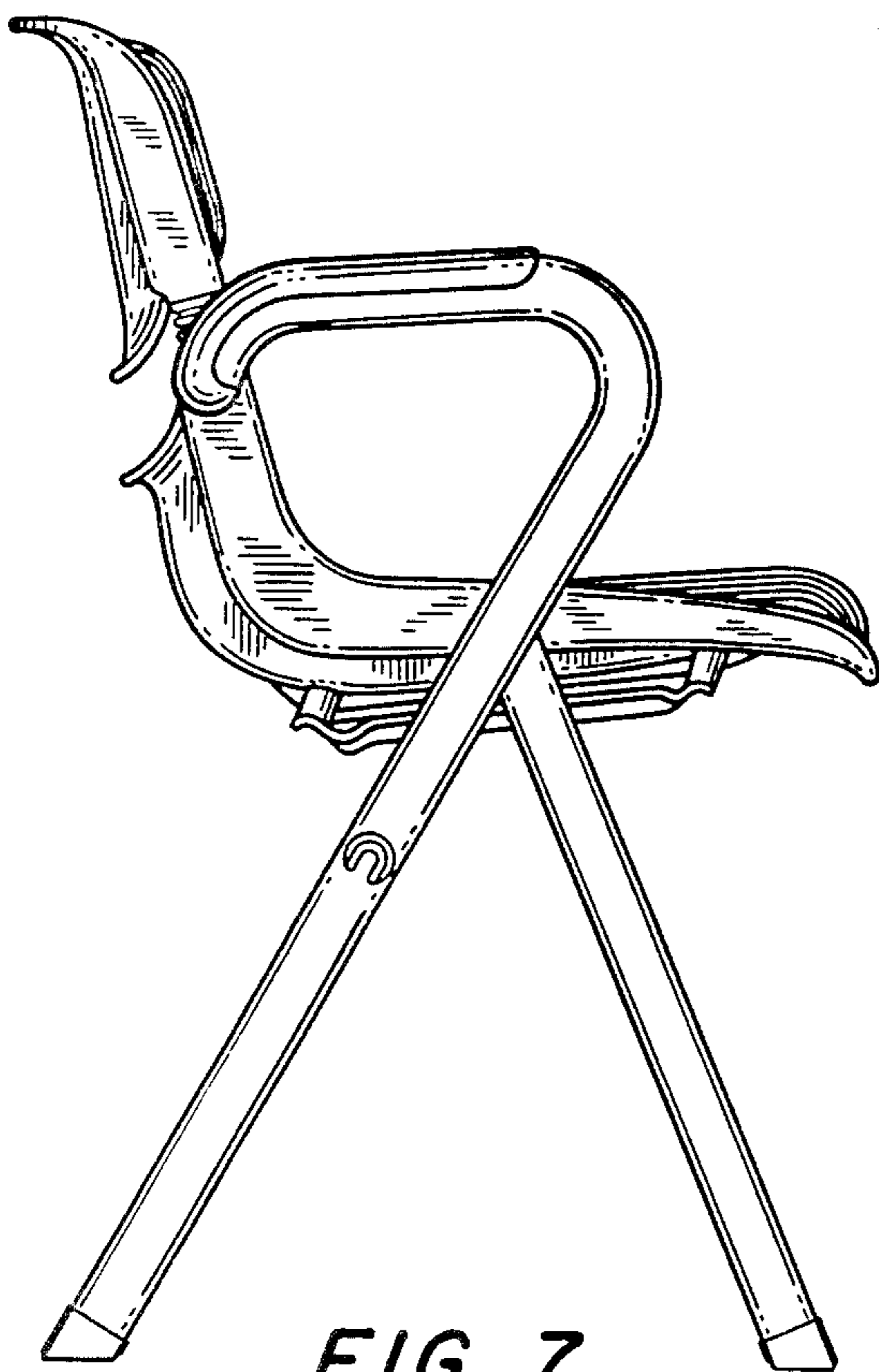


FIG. 7

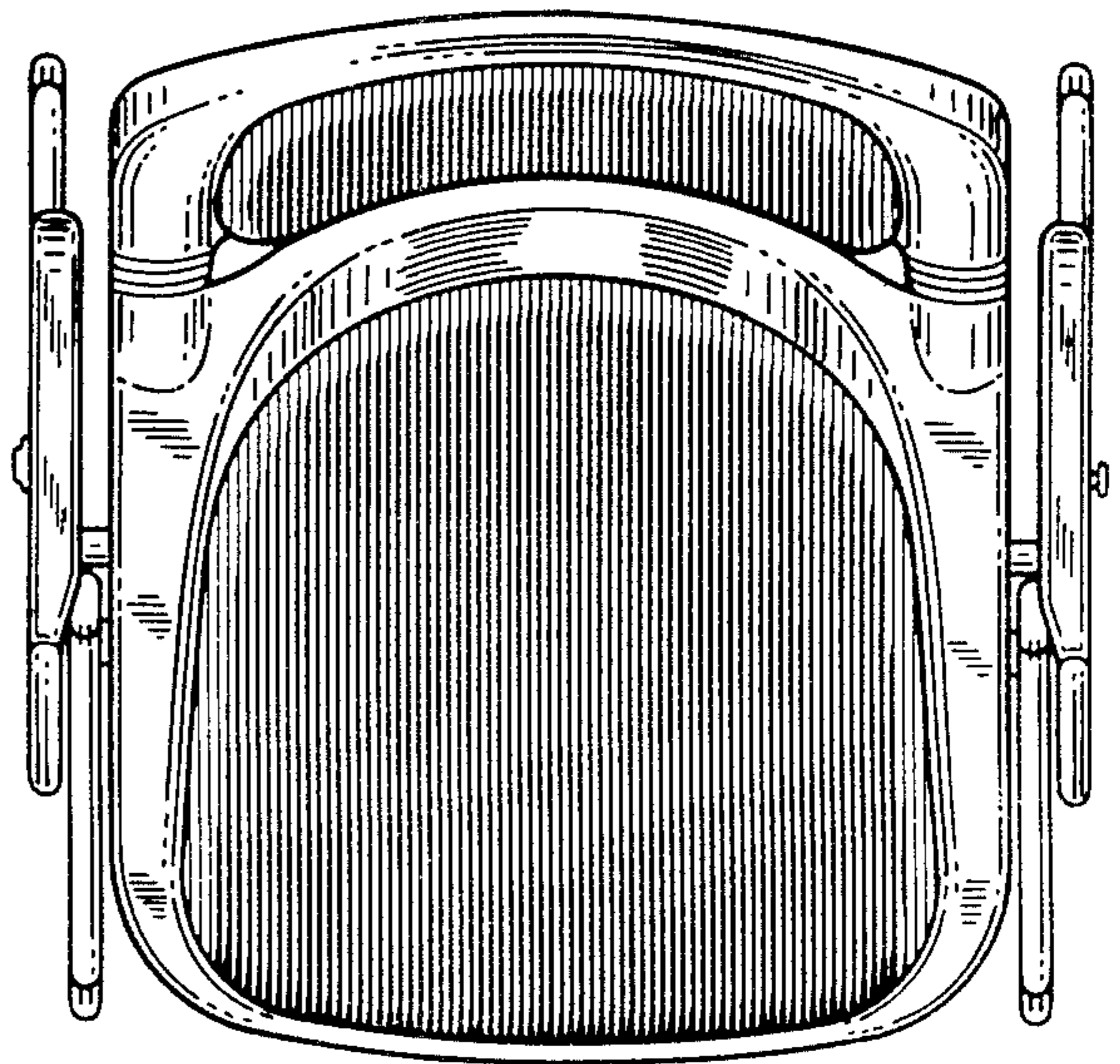


FIG. 8

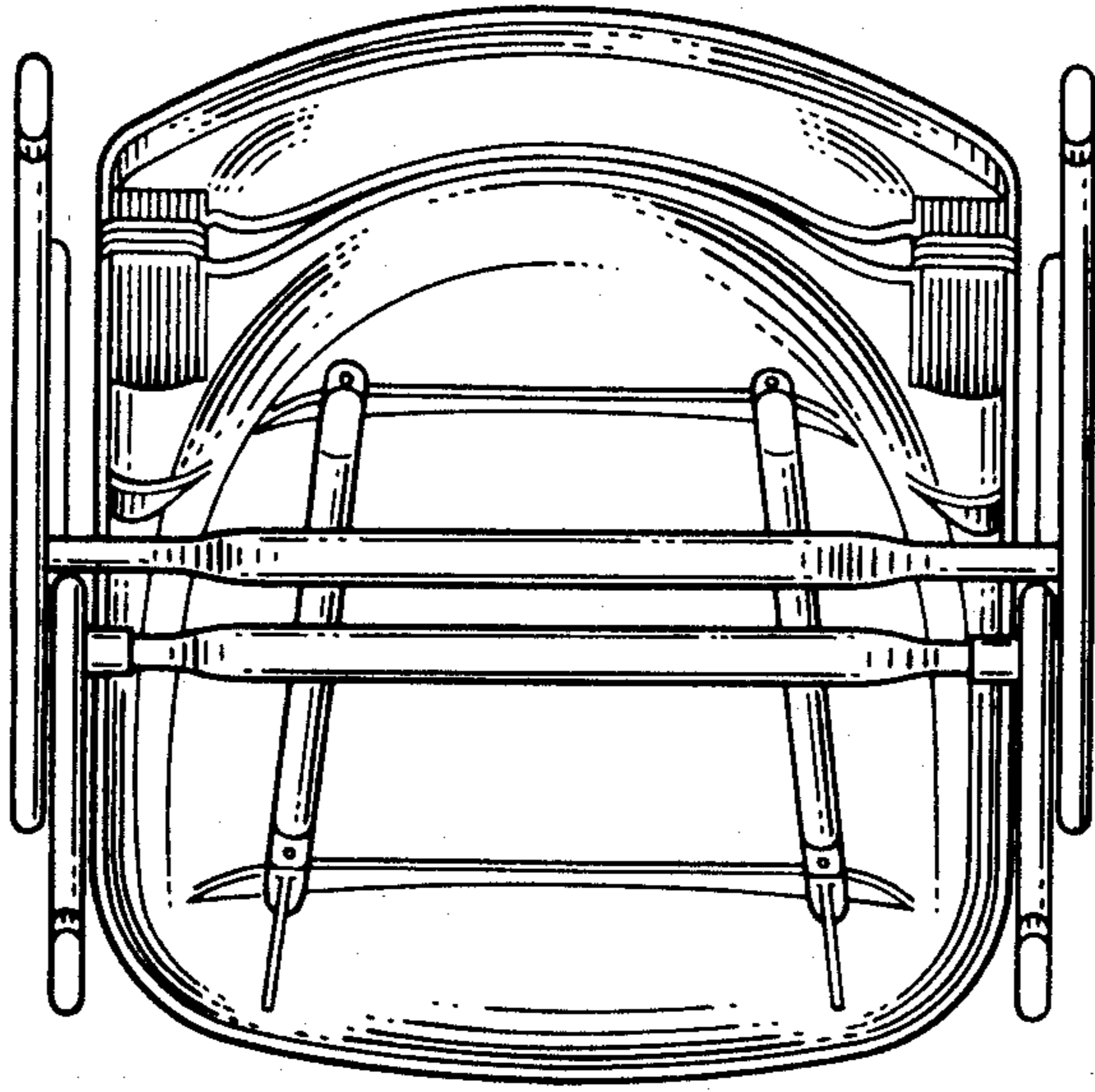


FIG. 9

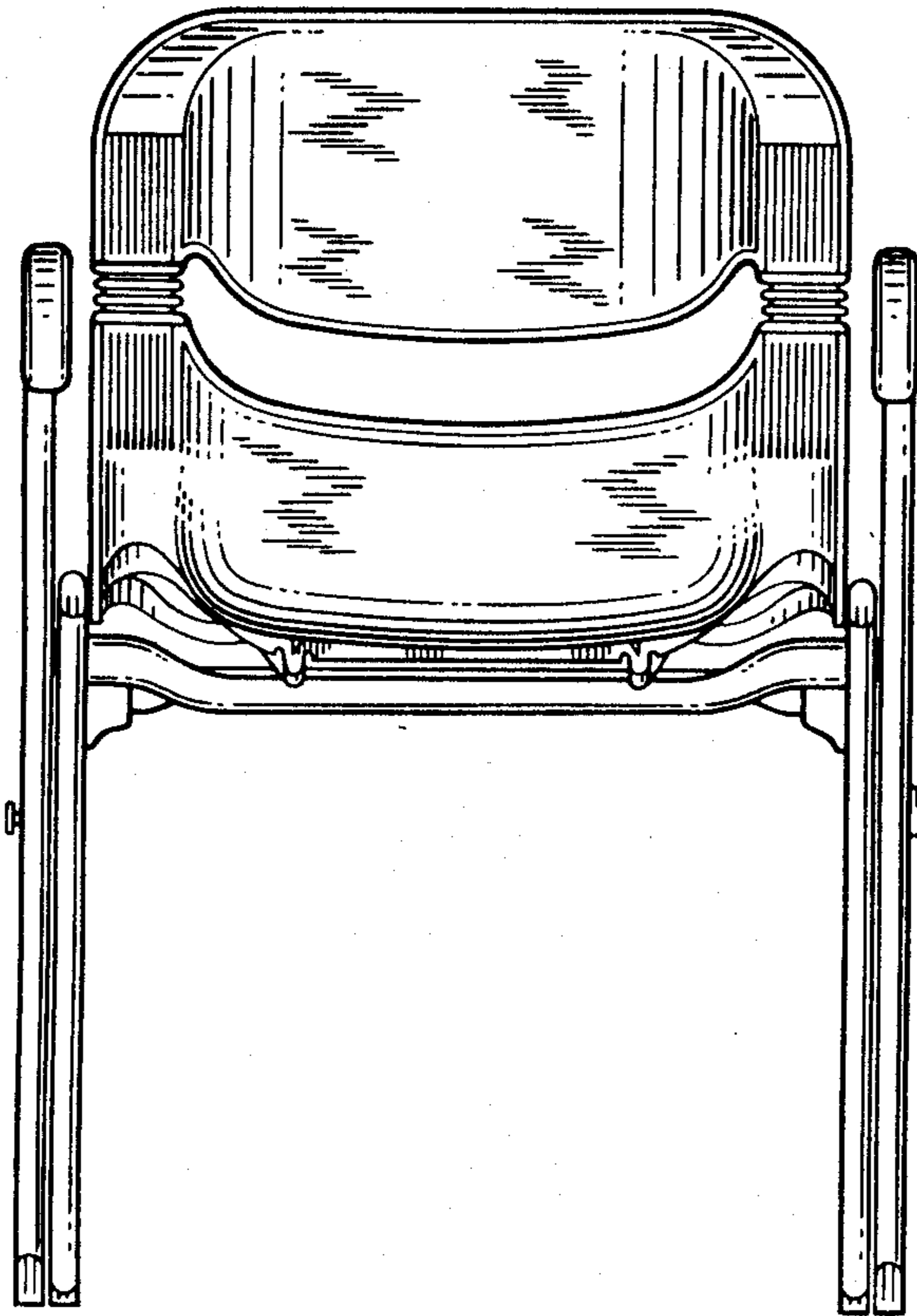


FIG. 10