

[54] STORAGE AND MAILING FILE FOR ROLLED PRINTS, DOCUMENTS, AND THE LIKE

[76] Inventor: Dennis E. Fuller, P.O. Box 408, Union, Mich. 49130

[**] Term: 14 Years

[21] Appl. No.: 314,572

[22] Filed: Oct. 26, 1981

[52] U.S. Cl. D3/30.1; D19/86; D19/89

[58] Field of Search D3/30.1, 36-38, D3/78; 150/52 R; D9/369, 414, 302; 229/93; 206/407, 408; D19/86, 89

[56] References Cited

U.S. PATENT DOCUMENTS

D. 179,920	3/1957	Shelly	D3/30.1
D. 226,407	2/1973	Doman	D3/78
D. 237,362	10/1975	Nowicki et al.	D9/414
2,738,121	3/1956	Johnson	229/93
3,444,991	5/1969	Raybois	229/93

3,974,914 8/1976 Cross et al. 229/93

Primary Examiner—George P. Word
Attorney, Agent, or Firm—Marmaduke A. Hobbs

[57] CLAIM

The ornamental design for a storage and mailing file for rolled prints, documents, and the like, as shown and described.

DESCRIPTION

FIG. 1 is a perspective view of a storage and mailing file for rolled prints, documents and the like showing my new design;

FIG. 2 is an exploded perspective view thereof;

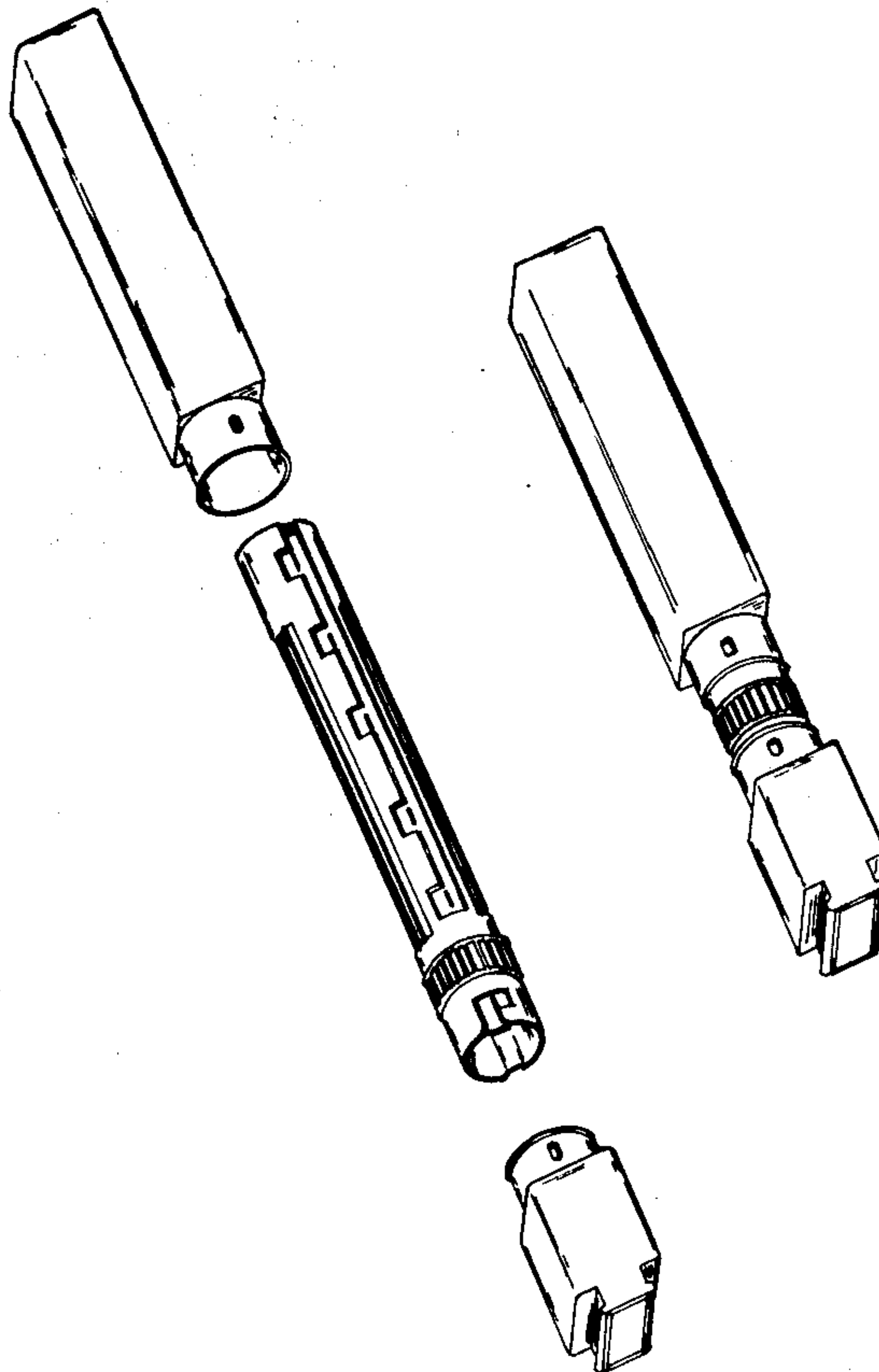
FIG. 3 is an enlarged scale left end elevational view of FIG. 1;

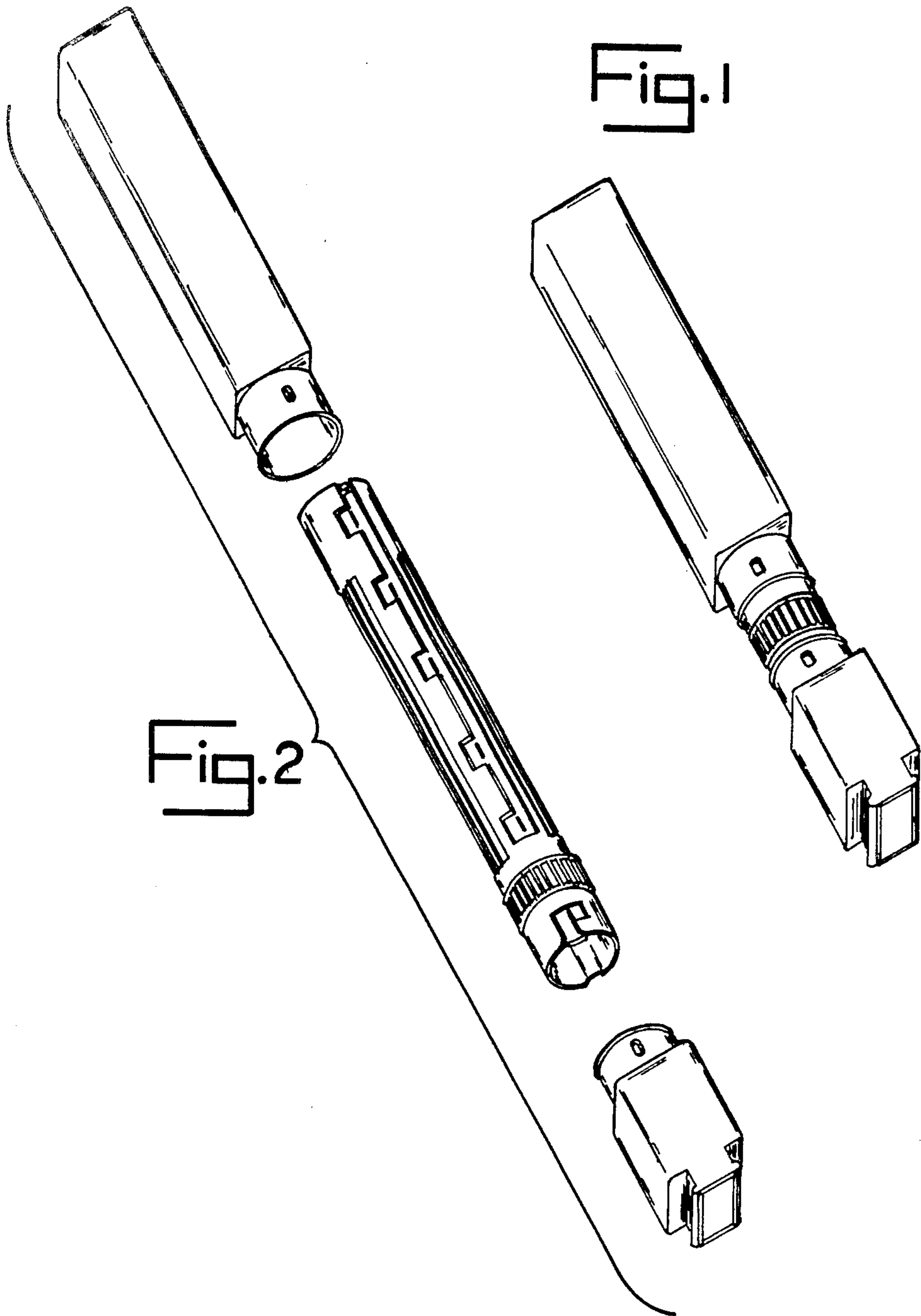
FIG. 4 is a right end elevational view thereof;

FIG. 5 is an enlarged scale elevational view of the two end sections shown in FIG. 2;

FIG. 6 is an elevational view of the intermediate section shown in FIG. 2.

The sides opposite those shown in FIGS. 5 and 6 are the same as the sides seen in the respective figures.





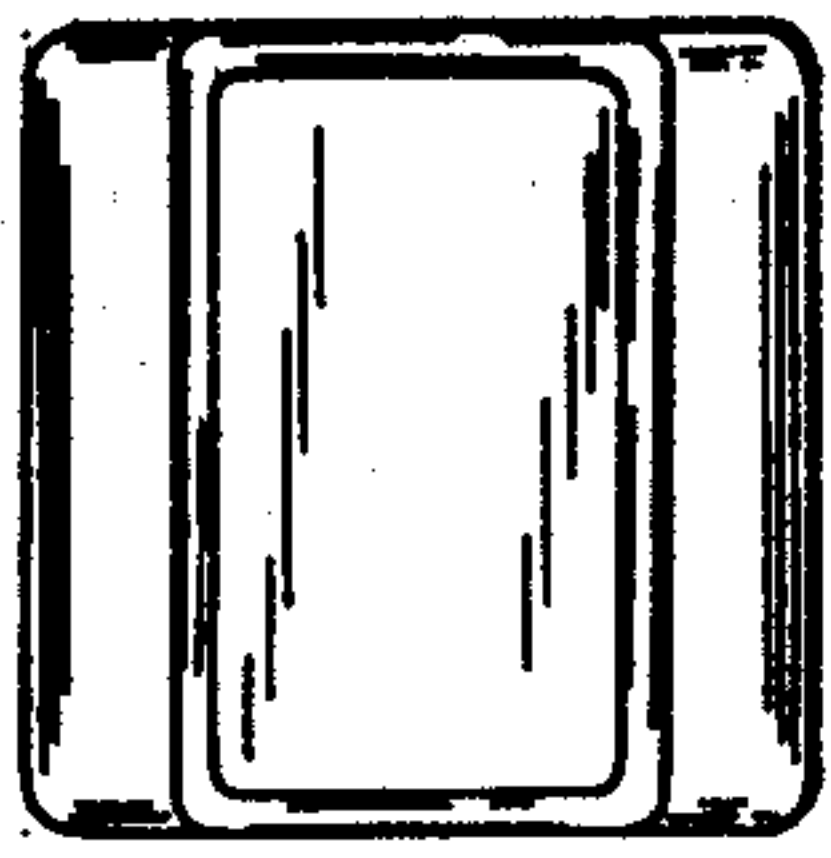


Fig. 3

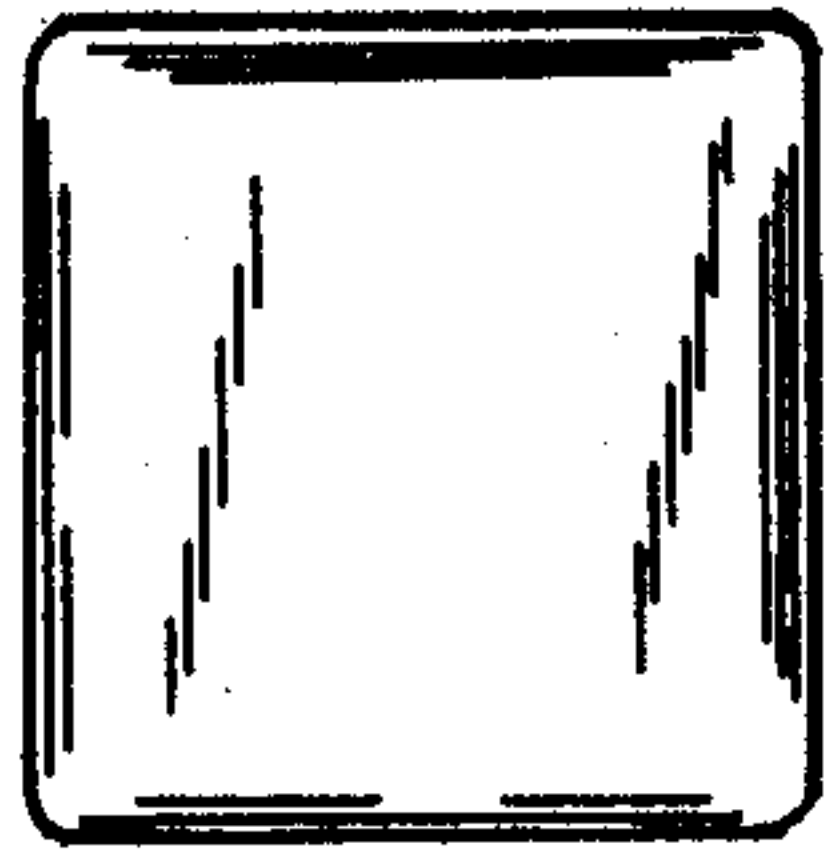


Fig. 4

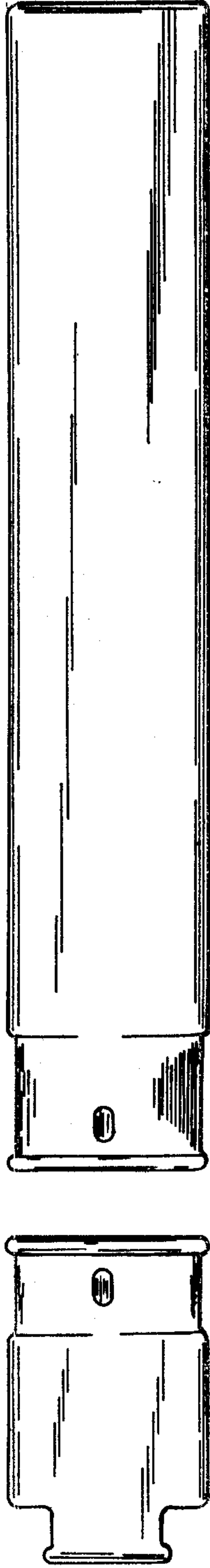


Fig. 5

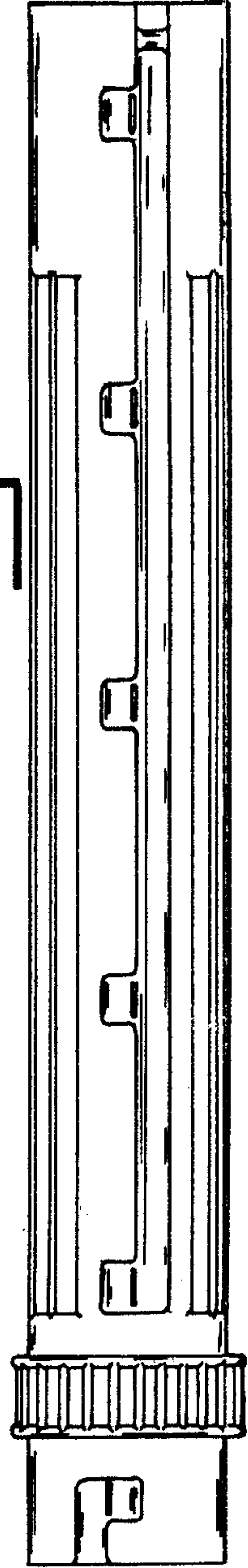


Fig. 6